



US00D892498S

(12) **United States Design Patent**
Wright et al.

(10) **Patent No.: US D892,498 S**

(45) **Date of Patent: ** *Aug. 11, 2020**

(54) **CASE FOR ELECTRONIC DEVICE**

(71) Applicant: **CATALYST LIFESTYLE LIMITED**,
North Point (HK)

(72) Inventors: **Joshua Wright**, Hong Kong (CN);
June Lai, Hong Kong (CN)

(73) Assignee: **Catalyst Lifestyle Limited**, Hong Kong
(CN)

(*) Notice: This patent is subject to a terminal disclaimer.

(**) Term: **15 Years**

(21) Appl. No.: **29/665,168**

(22) Filed: **Oct. 1, 2018**

(30) **Foreign Application Priority Data**

Apr. 18, 2018 (CN) 2018 3 0159874

(51) **LOC (12) Cl.** **03-01**

(52) **U.S. Cl.**
USPC **D3/294**; D3/218; D14/217; D13/108

(58) **Field of Classification Search**
USPC D14/250–254, 203.1, 203.3, 203.5, 224,
D14/224.1, 238.1, 434, 447, 451, 452,
D14/483, 496, 205, 217, 440; D10/30;
D3/201, 207, 208, 212, 218, 294, 299,
D3/300, 303; D28/66, 76; D9/420, 424,
D9/425, 426, 428, 432; D13/107, 108
CPC . H04R 1/1016; H04R 1/105; A45C 2011/001;
A45C 2011/002; A45C 2011/003; B65D
2585/6835

See application file for complete search history.

(56) **References Cited**

U.S. PATENT DOCUMENTS

228,598 A * 6/1880 Buckley 220/830
D239,160 S * 3/1976 Giberstein D9/426

(Continued)

FOREIGN PATENT DOCUMENTS

CN 201730056328.X 8/2017
CN 201730021643.9 10/2017

(Continued)

OTHER PUBLICATIONS

“This AirPods accessory is strangely awesome,” Catalyst AirPods Case pictured therein, CNET online, post date Apr. 7, 2017, URL: <https://www.cnet.com/news/coming-soon-a-waterproof-case-for-your-airpods-case/>, retrieved Nov. 19, 2019.*

(Continued)

Primary Examiner — Jeffrey D Asch

Assistant Examiner — Rebekah A Caruso

(74) *Attorney, Agent, or Firm* — Dinsmore & Shohl LLP

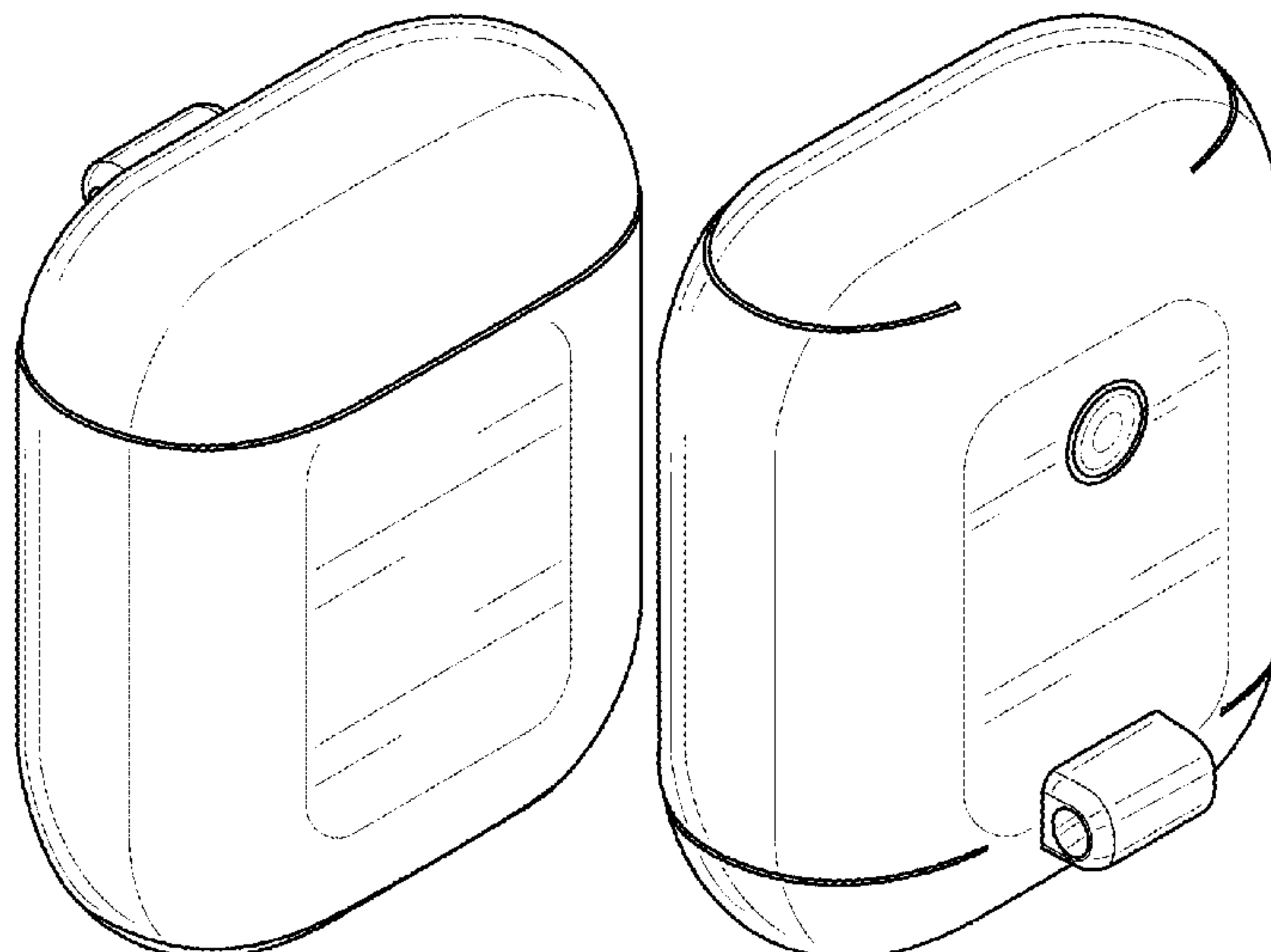
(57) **CLAIM**

The ornamental design for a case for electronic device, as shown and described.

DESCRIPTION

FIG. 1 is a perspective view including a front, top and one side of the case for electronic device;
FIG. 2 is a perspective view including a rear, bottom and same opposite side of the case for electronic device;
FIG. 3 is a front elevation view of the case for electronic device of FIG. 1;
FIG. 4 is a rear elevation view of the case for electronic device of FIG. 1;
FIG. 5 is a side elevation view of the case for electronic device of FIG. 1;
FIG. 6 is an opposite side elevation view of the case for electronic device of FIG. 1;
FIG. 7 is a top plan view of the case for electronic device of FIG. 1; and,
FIG. 8 is a bottom plan view of the case for electronic device of FIG. 1.

1 Claim, 4 Drawing Sheets



(56)

References Cited

U.S. PATENT DOCUMENTS

D310,480 S * 9/1990 Geiger D9/529
 D317,407 S * 6/1991 Gray D9/424
 D322,752 S * 12/1991 Zintzmeyer D4/116
 D323,292 S * 1/1992 Jones D9/424
 D362,542 S 9/1995 Richards et al.
 D375,197 S 11/1996 Laherty
 5,740,624 A 4/1998 Baseley
 D399,604 S * 10/1998 Wolff D28/66
 D405,256 S 2/1999 Chacon et al.
 D426,950 S * 6/2000 Conway D3/203.5
 D427,424 S * 7/2000 Conway D3/203.5
 6,305,538 B1 10/2001 Jackson
 D467,799 S * 12/2002 Persson D9/420
 D475,282 S * 6/2003 Snaith D28/66
 D475,696 S 6/2003 Hussaini et al.
 D493,257 S * 7/2004 McCorkindale D28/66
 D493,576 S * 7/2004 Ward D28/66
 6,817,470 B1 11/2004 Goldberg
 D528,012 S * 9/2006 Snyder D9/529
 D531,618 S 11/2006 Kennemer et al.
 D542,664 S * 5/2007 Mayers D9/529
 D548,970 S * 8/2007 Huang D3/294
 D553,077 S * 10/2007 Kim D13/108
 D556,571 S * 12/2007 Jalet D9/432
 7,347,325 B2 3/2008 O'Neill et al.
 D566,484 S * 4/2008 George D3/294
 D586,557 S * 2/2009 Jalet D3/294
 D592,400 S 5/2009 Nelson
 D594,659 S 6/2009 Lown et al.
 D595,952 S 7/2009 Nussberger
 D596,393 S 7/2009 Leung et al.
 D599,546 S 9/2009 Lown et al.
 D600,913 S 9/2009 Kalbach
 7,584,841 B2 9/2009 Chan et al.
 D601,366 S 10/2009 Barabas et al.
 D604,501 S 11/2009 Lee
 D606,307 S * 12/2009 Gauss D3/215
 7,855,529 B2 12/2010 Liu
 D637,647 S * 5/2011 Allison D19/73
 D666,821 S * 9/2012 Phillips D3/303
 D666,824 S * 9/2012 Phillips D3/303
 D666,826 S * 9/2012 Phillips D3/303
 D670,497 S 11/2012 Phillips et al.
 D672,642 S * 12/2012 Supranowicz D9/420
 D674,688 S * 1/2013 Loftin D9/428
 8,399,764 B2 3/2013 Klosky
 D681,613 S 5/2013 Magness et al.
 D692,664 S * 11/2013 Rashid D3/303
 D708,784 S * 7/2014 Kim D28/7
 D718,750 S 12/2014 Young et al.
 D720,096 S * 12/2014 McDougall D28/66
 8,961,015 B1 2/2015 Bihn

D766,905 S * 9/2016 Lee D14/440
 D769,879 S * 10/2016 Kim D14/440
 D775,818 S * 1/2017 Ingraham D3/218
 D780,740 S * 3/2017 Kim D14/250
 D794,617 S * 8/2017 Wright D14/203.3
 D794,618 S * 8/2017 Wright D14/203.3
 D806,388 S * 1/2018 Akana D3/294
 D808,791 S 1/2018 Johnston et al.
 D818,268 S * 5/2018 Akana D3/294
 D826,152 S * 8/2018 Christiansen D13/108
 D841,580 S * 2/2019 Bao D13/108
 D841,581 S * 2/2019 Bonahoom D13/108
 D846,264 S * 4/2019 Wu D3/201
 D849,401 S * 5/2019 Akana D3/274
 D850,365 S * 6/2019 Loermann D13/107
 D853,116 S * 7/2019 Bergman D3/294
 D853,357 S * 7/2019 Li D14/217
 D864,971 S * 10/2019 Lee D14/440
 D868,453 S * 12/2019 Lee D3/201
 D869,161 S * 12/2019 Zhong D3/294
 D870,451 S * 12/2019 Birger D3/201
 D872,094 S * 1/2020 Wright D14/440
 D872,723 S * 1/2020 Lee D14/250
 D872,724 S * 1/2020 Lee D14/250
 D874,826 S * 2/2020 Zhang D3/303
 D878,045 S * 3/2020 Akana D3/274
 D878,754 S * 3/2020 Lee D3/270
 D881,179 S * 4/2020 Wright D14/250
 D881,180 S * 4/2020 Wright D14/250
 D881,181 S * 4/2020 Wright D14/250
 2017/0094399 A1 * 3/2017 Chandramohan A45C 11/24
 2018/0064224 A1 * 3/2018 Brzezinski H02J 50/10

FOREIGN PATENT DOCUMENTS

CN	201730139442.9	10/2017
CN	201730056338.3	11/2017
CN	201730115524.X	11/2017
CN	201730216831.7	11/2017
CN	201730208864.7	12/2017
CN	201730315510.2	2/2018
CN	201730444575.7	2/2018

OTHER PUBLICATIONS

“This glow-in-the-dark, waterproof AirPods case is great . . . ,” Catalyst AirPods Cases pictured therein, the Verge online, post date Apr. 14, 2017, URL: <https://www.theverge.com/circuitbreaker/2017/4/14/15306100/catalyst-case-airpods-sale-glow-in-the-dark>, retrieved Nov. 19, 2019.*
 Notice of Allowance and Fee(s) Due dated Apr. 9, 2020 pertaining to U.S. Appl. No. 29/665,170, filed Oct. 1, 2018, 21 pgs.

* cited by examiner

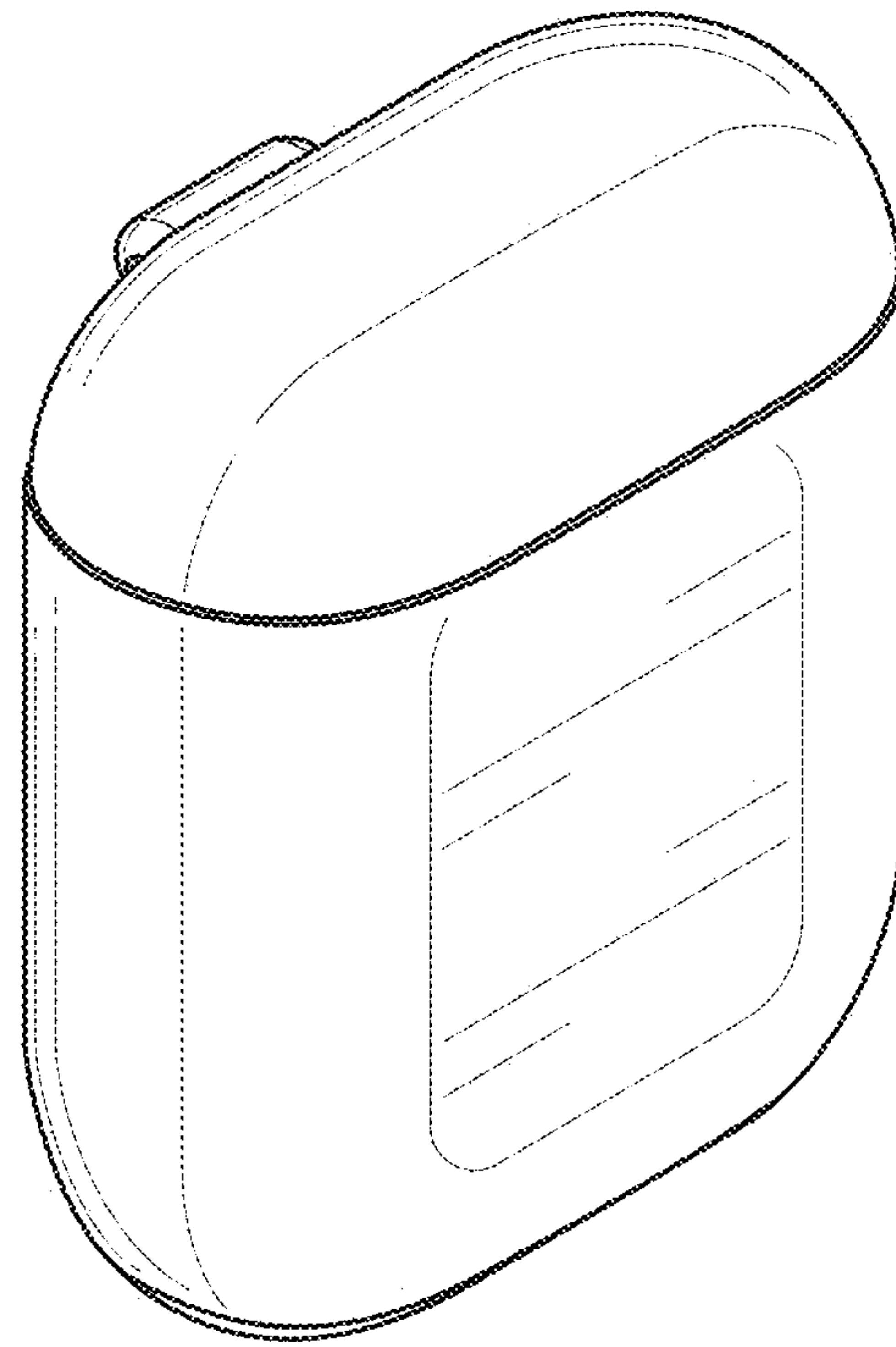


FIG. 1

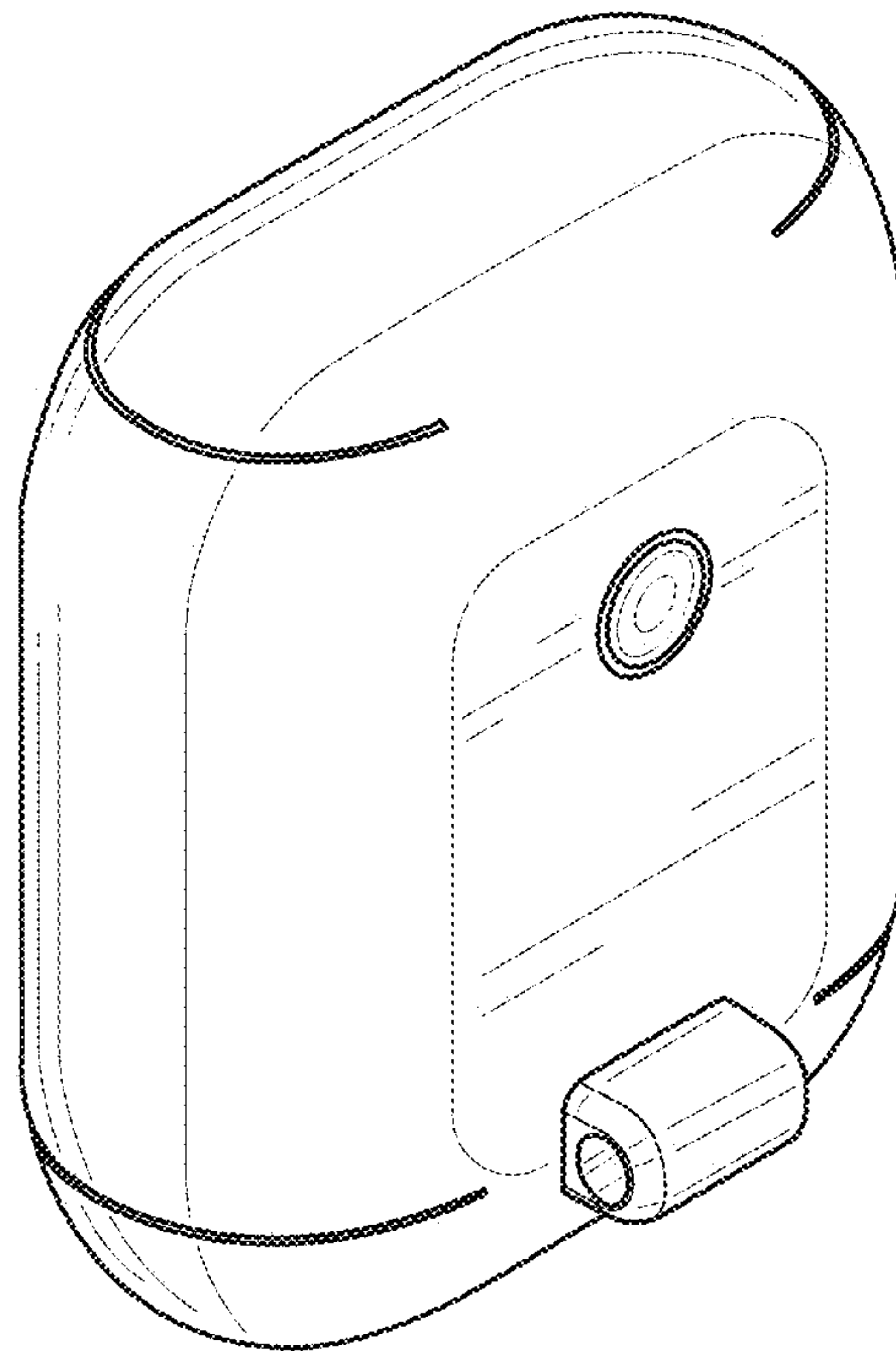


FIG. 2

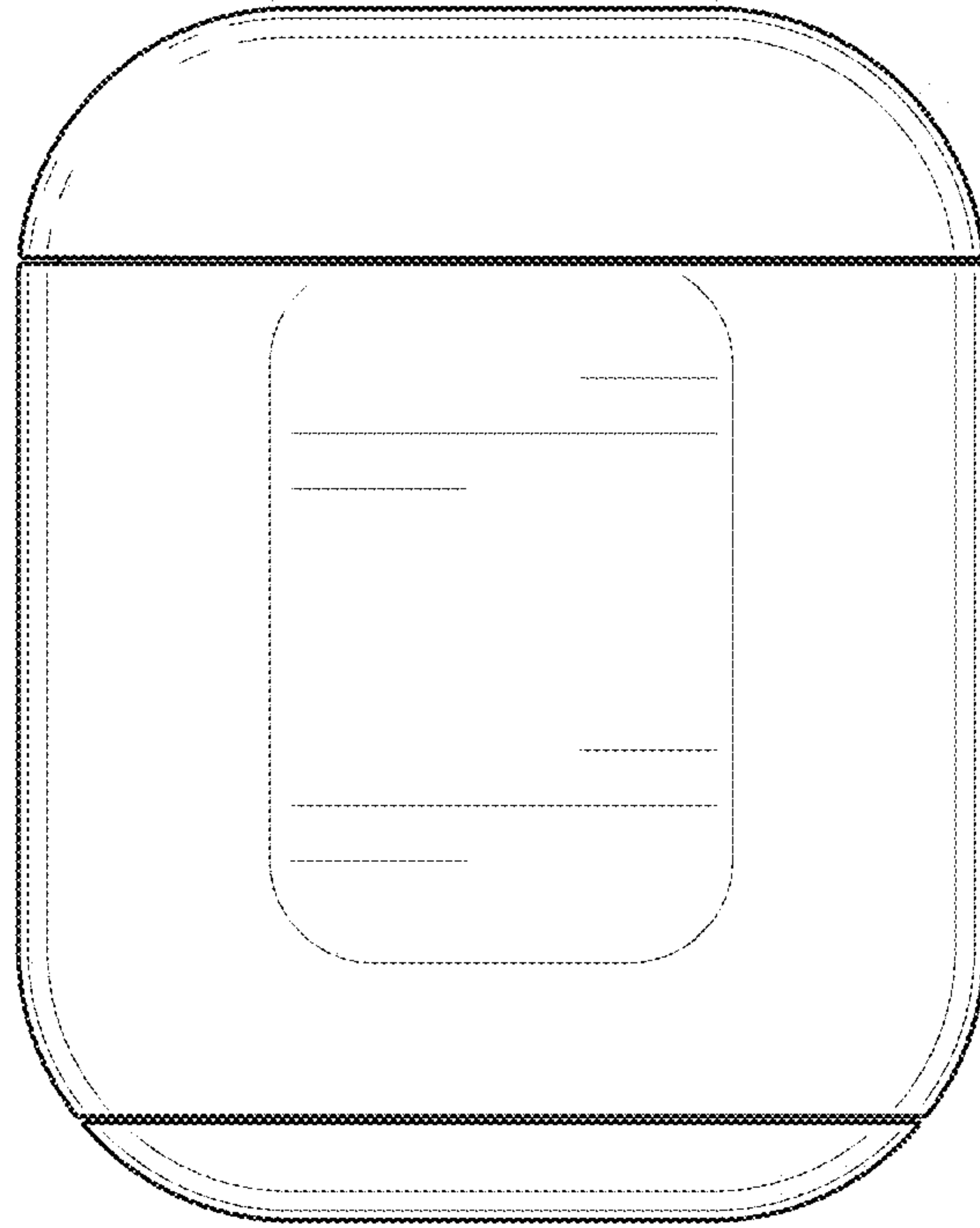


FIG. 3

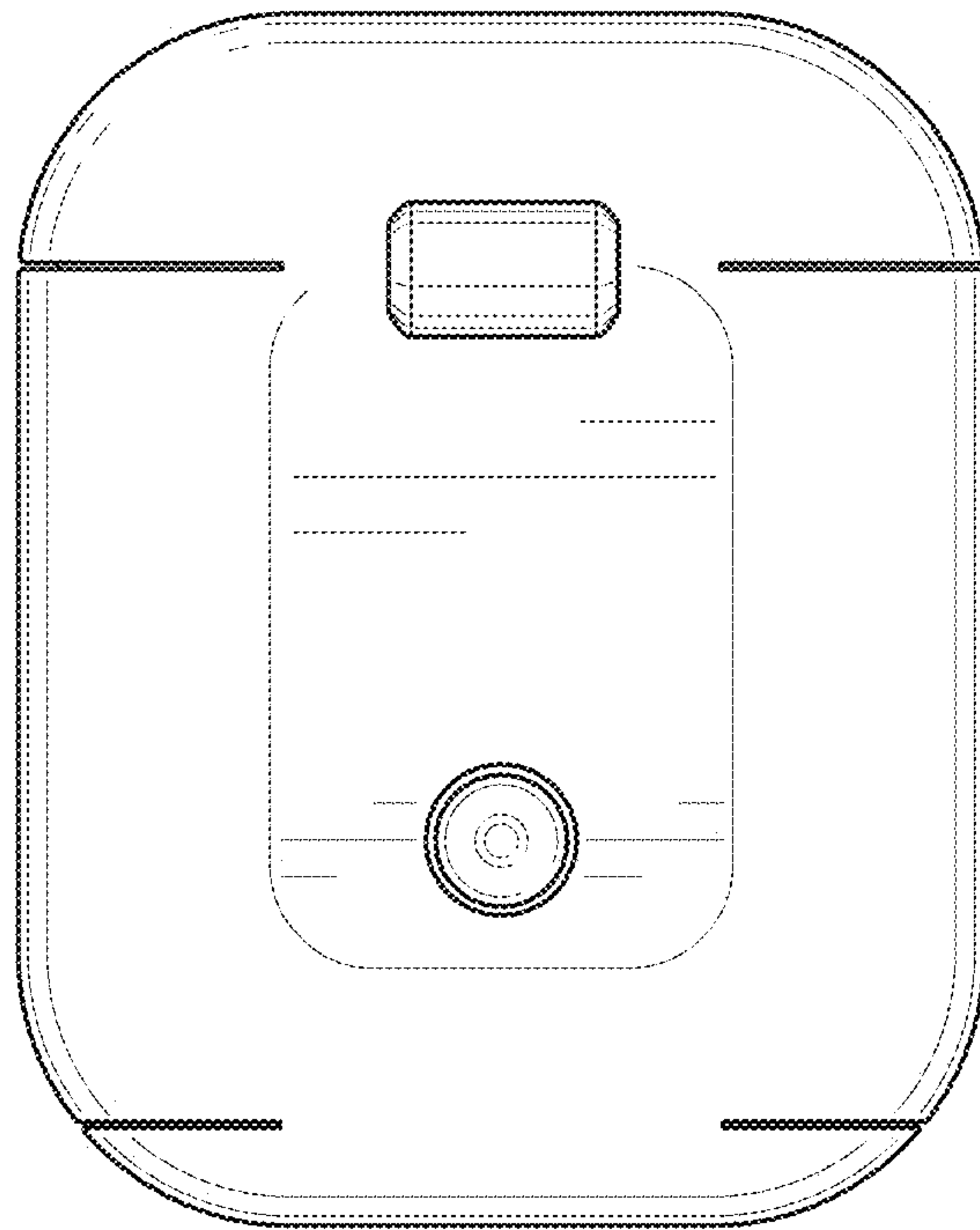


FIG. 4

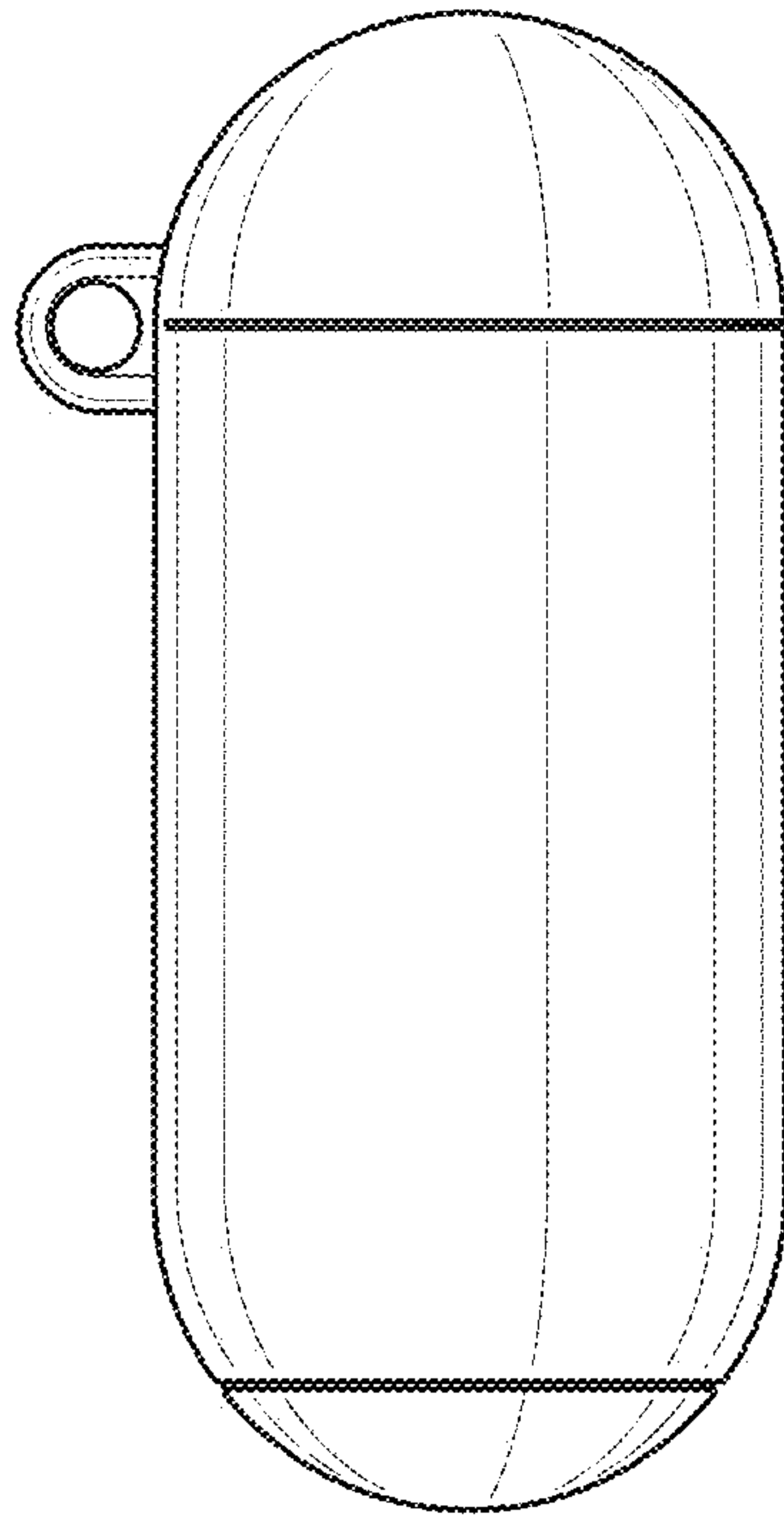


FIG. 5

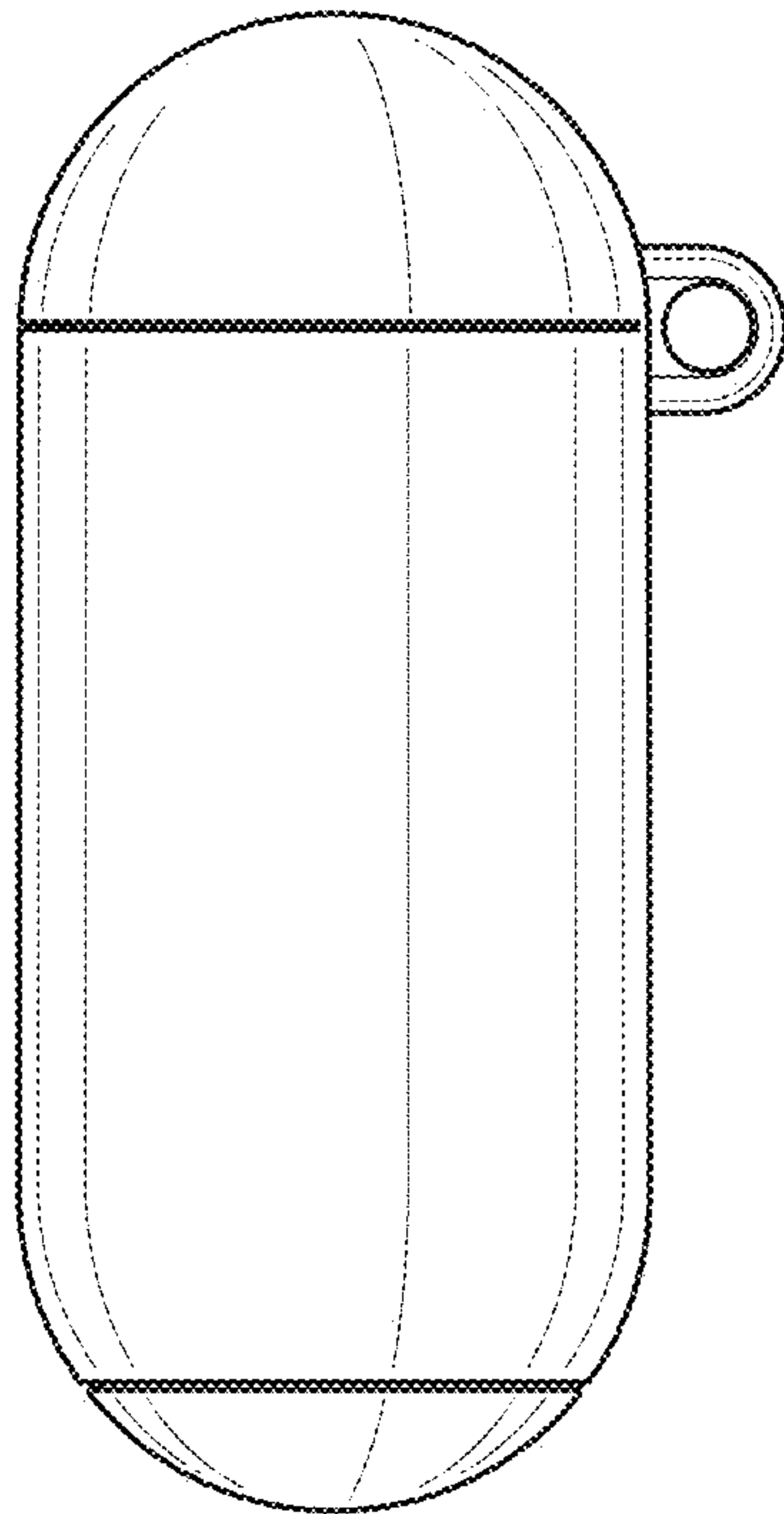


FIG. 6

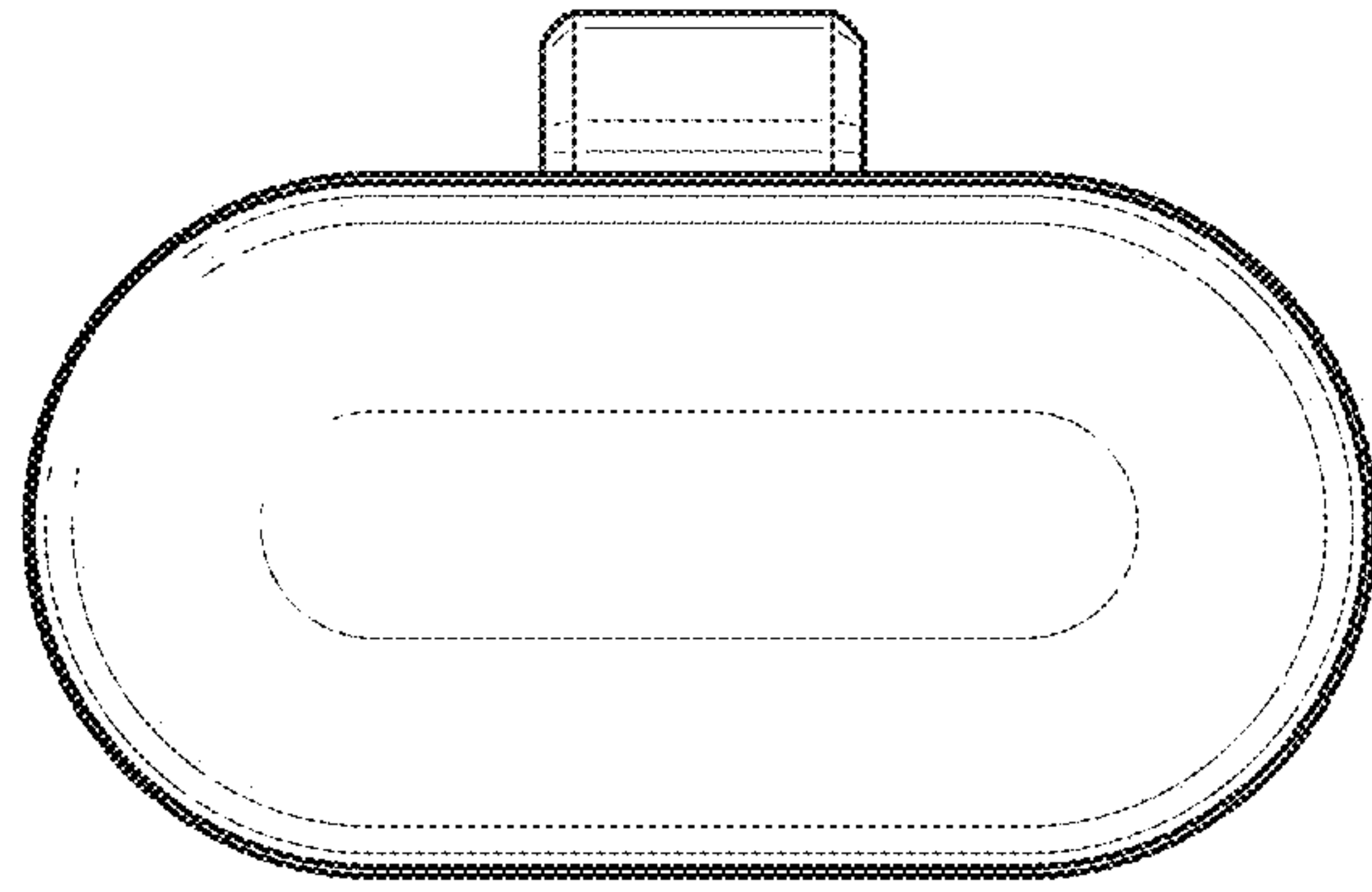


FIG. 7

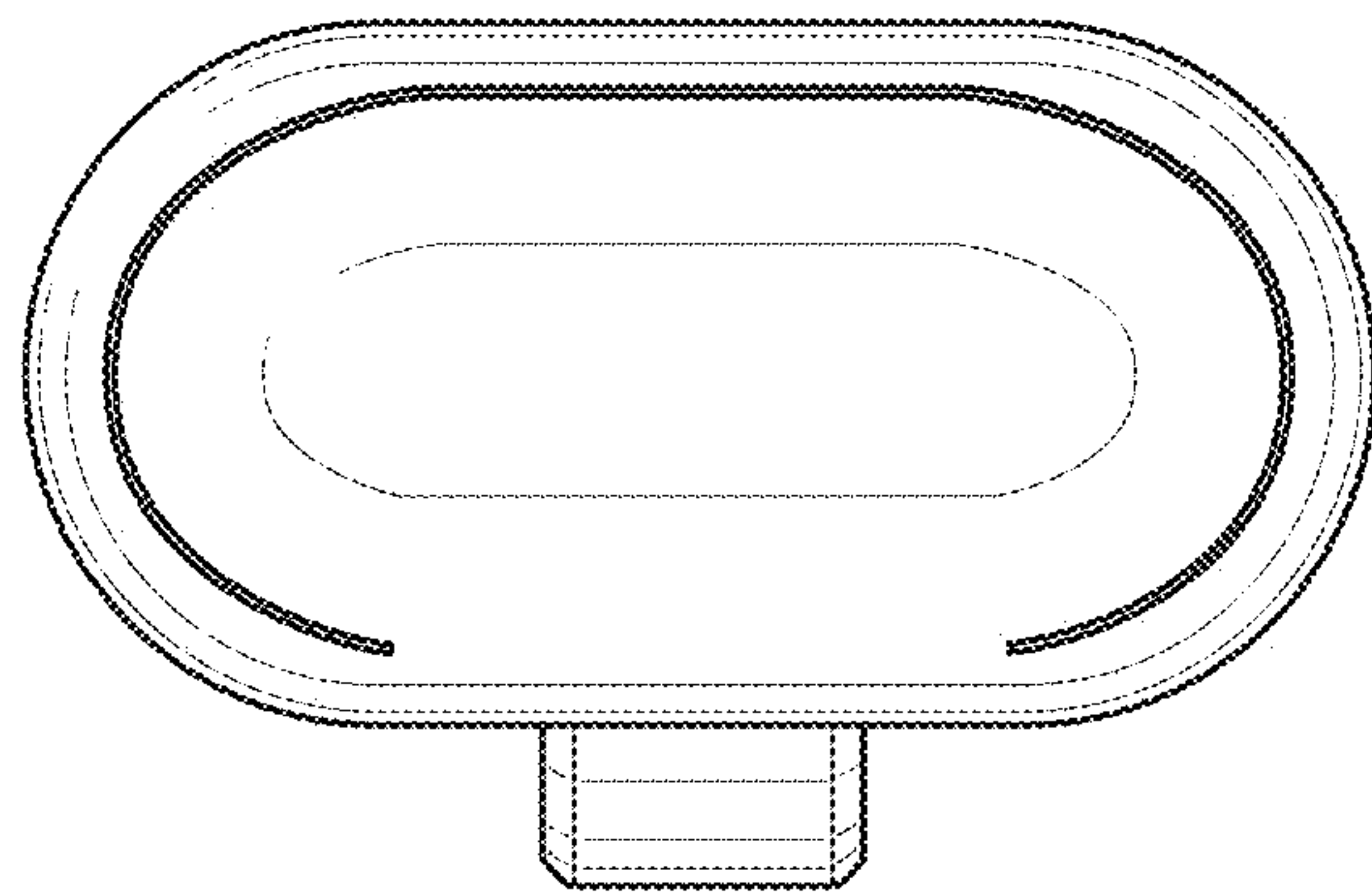


FIG. 8