



US00D892497S

(12) **United States Design Patent**  
**Wright et al.**

(10) **Patent No.: US D892,497 S**

(45) **Date of Patent: \*\* \*Aug. 11, 2020**

(54) **CASE FOR ELECTRONIC DEVICE**

FOREIGN PATENT DOCUMENTS

(71) Applicant: **CATALYST LIFESTYLE LIMITED**,  
North Point (HK)

CN 201730056328.X 8/2017  
CN 201730021643.9 10/2017

(Continued)

(72) Inventors: **Joshua Wright**, Hong Kong (CN);  
**June Lai**, Hong Kong (CN)

(73) Assignee: **Catalyst Lifestyle Limited**, Hong Kong  
(CN)

(\*) Notice: This patent is subject to a terminal disclaimer.

(\*\*) Term: **15 Years**

(21) Appl. No.: **29/665,166**

(22) Filed: **Oct. 1, 2018**

(30) **Foreign Application Priority Data**

Apr. 18, 2018 (CN) ..... 2018 3 0159874

(51) **LOC (12) Cl.** ..... **03-01**

(52) **U.S. Cl.**  
USPC ..... **D3/294**; D3/218; D14/217; D13/108

(58) **Field of Classification Search**  
USPC ..... D14/250–254, 203.1, 203.3, 203.5, 224,  
D14/224.1, 238.1, 434, 447, 451, 452,  
D14/483, 496, 205, 217, 440; D10/30;  
D3/201, 207, 208, 212, 218, 294, 299,  
D3/300, 303; D28/66, 76; D9/420, 424,  
D9/425, 426, 428, 432; D13/107, 108  
CPC . H04R 1/1016; H04R 1/105; A45C 2011/001;  
A45C 2011/002; A45C 2011/003; B65D  
2585/6835

See application file for complete search history.

(56) **References Cited**

U.S. PATENT DOCUMENTS

228,598 A \* 6/1880 Buckley ..... 220/830  
D239,160 S \* 3/1976 Giberstein ..... D9/426

(Continued)

OTHER PUBLICATIONS

“This AirPods accessory is strangely awesome,” Catalyst AirPods Case pictured therein, CNET online, post date Apr. 7, 2017, URL: <https://www.cnet.com/news/coming-soon-a-waterproof-case-for-your-airpods-case/>, retrieved Nov. 19, 2019.\*

(Continued)

*Primary Examiner* — Jeffrey D Asch

*Assistant Examiner* — Rebekah A Caruso

(74) *Attorney, Agent, or Firm* — Dinsmore & Shohl LLP

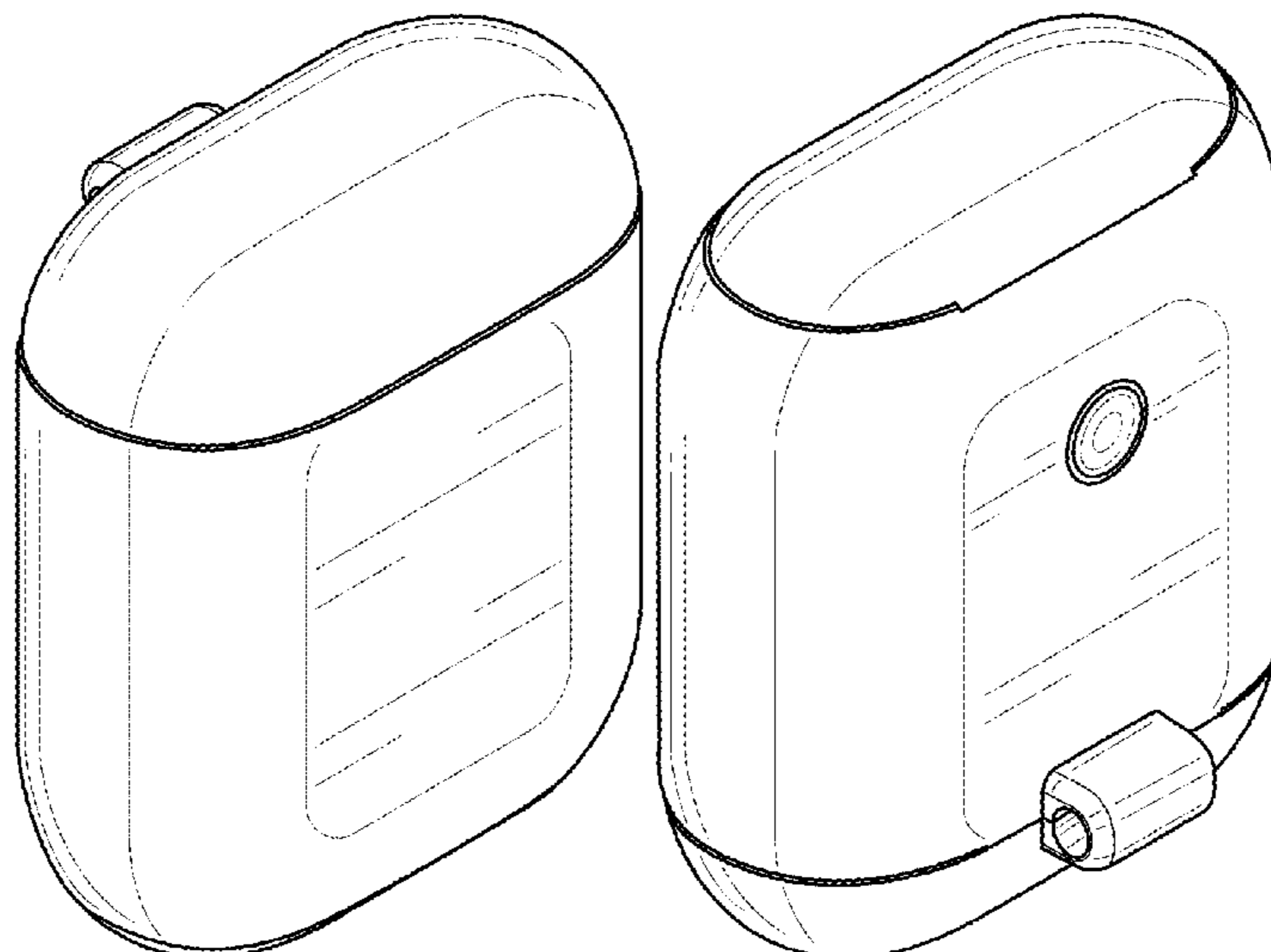
(57) **CLAIM**

The ornamental design for a case for electronic device, as shown and described.

**DESCRIPTION**

FIG. 1 is a perspective view including a front, top and one side of the case for electronic device;  
FIG. 2 is a perspective view including a rear, bottom and same side of the case for electronic device;  
FIG. 3 is a front elevation view of the case for electronic device of FIG. 1;  
FIG. 4 is a rear elevation view of the case for electronic device of FIG. 1;  
FIG. 5 is a side elevation view of the case for electronic device of FIG. 1;  
FIG. 6 is an opposite side elevation view of the case for electronic device of FIG. 1;  
FIG. 7 is a top plan view of the case for electronic device of FIG. 1; and,  
FIG. 8 is a bottom plan view of the case for electronic device of FIG. 1.

**1 Claim, 4 Drawing Sheets**



(56)

References Cited

U.S. PATENT DOCUMENTS

D310,480 S \* 9/1990 Geiger ..... D9/529  
 D317,407 S \* 6/1991 Gray ..... D9/424  
 D322,752 S \* 12/1991 Zintzmeyer ..... D4/116  
 D323,292 S \* 1/1992 Jones ..... D9/424  
 D362,542 S 9/1995 Richards et al.  
 D375,197 S 11/1996 Laherty  
 5,740,624 A 4/1998 Baseley  
 D399,604 S \* 10/1998 Wolff ..... D28/66  
 D405,256 S 2/1999 Chacon et al.  
 D426,950 S \* 6/2000 Conway ..... D3/203.5  
 D427,424 S \* 7/2000 Conway ..... D3/203.5  
 6,305,538 B1 10/2001 Jackson  
 D467,799 S \* 12/2002 Persson ..... D9/420  
 D475,282 S \* 6/2003 Snaith ..... D28/66  
 D475,696 S 6/2003 Hussaini et al.  
 D493,257 S \* 7/2004 McCorkindale ..... D28/66  
 D493,576 S \* 7/2004 Ward ..... D28/66  
 6,817,470 B1 11/2004 Goldberg  
 D528,012 S \* 9/2006 Snyder ..... D9/529  
 D531,618 S 11/2006 Kennemer et al.  
 D542,664 S \* 5/2007 Mayers ..... D9/529  
 D548,970 S \* 8/2007 Huang ..... D3/294  
 D553,077 S \* 10/2007 Kim ..... D13/108  
 D556,571 S \* 12/2007 Jalet ..... D9/432  
 7,347,325 B2 3/2008 O'Neill et al.  
 D566,484 S \* 4/2008 George ..... D3/294  
 D586,557 S \* 2/2009 Jalet ..... D3/294  
 D592,400 S 5/2009 Nelson  
 D594,659 S 6/2009 Lown et al.  
 D595,952 S 7/2009 Nussberger  
 D596,393 S 7/2009 Leung et al.  
 D599,546 S 9/2009 Lown et al.  
 D600,913 S 9/2009 Kalbach  
 7,584,841 B2 9/2009 Chan et al.  
 D601,366 S 10/2009 Barabas et al.  
 D604,501 S 11/2009 Lee  
 D606,307 S \* 12/2009 Gauss ..... D3/215  
 7,855,529 B2 12/2010 Liu  
 D637,647 S \* 5/2011 Allison ..... D19/73  
 D666,821 S \* 9/2012 Phillips ..... D3/303  
 D666,824 S \* 9/2012 Phillips ..... D3/303  
 D666,826 S \* 9/2012 Phillips ..... D3/303  
 D670,497 S 11/2012 Phillips et al.  
 D672,642 S \* 12/2012 Supranowicz ..... D9/420  
 D674,688 S \* 1/2013 Loftin ..... D9/428  
 8,399,764 B2 3/2013 Klosky  
 D681,613 S 5/2013 Magness et al.  
 D692,664 S \* 11/2013 Rashid ..... D3/303  
 D708,784 S \* 7/2014 Kim ..... D28/7  
 D718,750 S 12/2014 Young et al.  
 D720,096 S \* 12/2014 McDougall ..... D28/66  
 8,961,015 B1 2/2015 Bihn

D766,905 S \* 9/2016 Lee ..... D14/440  
 D769,879 S \* 10/2016 Kim ..... D14/440  
 D775,818 S \* 1/2017 Ingraham ..... D3/218  
 D780,740 S \* 3/2017 Kim ..... D14/250  
 D794,617 S \* 8/2017 Wright ..... D14/203.3  
 D794,618 S \* 8/2017 Wright ..... D14/203.3  
 D806,388 S \* 1/2018 Akana ..... D3/294  
 D808,791 S 1/2018 Johnston et al.  
 D818,268 S \* 5/2018 Akana ..... D3/294  
 D826,152 S \* 8/2018 Christiansen ..... D13/108  
 D841,580 S \* 2/2019 Bao ..... D13/108  
 D841,581 S \* 2/2019 Bonahoom ..... D13/108  
 D846,264 S \* 4/2019 Wu ..... D3/201  
 D849,401 S \* 5/2019 Akana ..... D3/274  
 D850,365 S \* 6/2019 Loermann ..... D13/107  
 D853,116 S \* 7/2019 Bergman ..... D3/294  
 D853,357 S \* 7/2019 Li ..... D14/217  
 D864,971 S \* 10/2019 Lee ..... D14/440  
 D868,453 S \* 12/2019 Lee ..... D3/201  
 D869,161 S \* 12/2019 Zhong ..... D3/294  
 D870,451 S \* 12/2019 Birger ..... D3/201  
 D872,094 S \* 1/2020 Wright ..... D14/440  
 D872,723 S \* 1/2020 Lee ..... D14/250  
 D872,724 S \* 1/2020 Lee ..... D14/250  
 D874,826 S \* 2/2020 Zhang ..... D3/303  
 D878,045 S \* 3/2020 Akana ..... D3/274  
 D878,754 S \* 3/2020 Lee ..... D3/270  
 D881,179 S \* 4/2020 Wright ..... D14/250  
 D881,180 S \* 4/2020 Wright ..... D14/250  
 D881,181 S \* 4/2020 Wright ..... D14/250  
 2017/0094399 A1 \* 3/2017 Chandramohan ..... A45C 11/24  
 2018/0064224 A1 \* 3/2018 Brzezinski ..... H02J 50/10

FOREIGN PATENT DOCUMENTS

CN	201730139442.9	10/2017
CN	20173011524.X	11/2017
CN	201730056338.3	11/2017
CN	201730216831.7	11/2017
CN	201730208864.7	12/2017
CN	201730315610.2	2/2018
CN	201730444575.7	2/2018

OTHER PUBLICATIONS

“This glow-in-the-dark, waterproof AirPods case is great . . . ,” Catalyst AirPods Cases pictured therein, The Verge online, post date Apr. 14, 2017, URL: <https://www.theverge.com/circuitbreaker/2017/4/14/15306100/catalyst-case-airpods-sale-glow-in-the-dark>, retrieved Nov. 19, 2019.\*  
 Notice of Allowance and Fee(s) Due dated Apr. 9, 2020 pertaining to U.S. Appl. No. 29/665,170, filed Oct. 1, 2018, 21 pgs.

\* cited by examiner

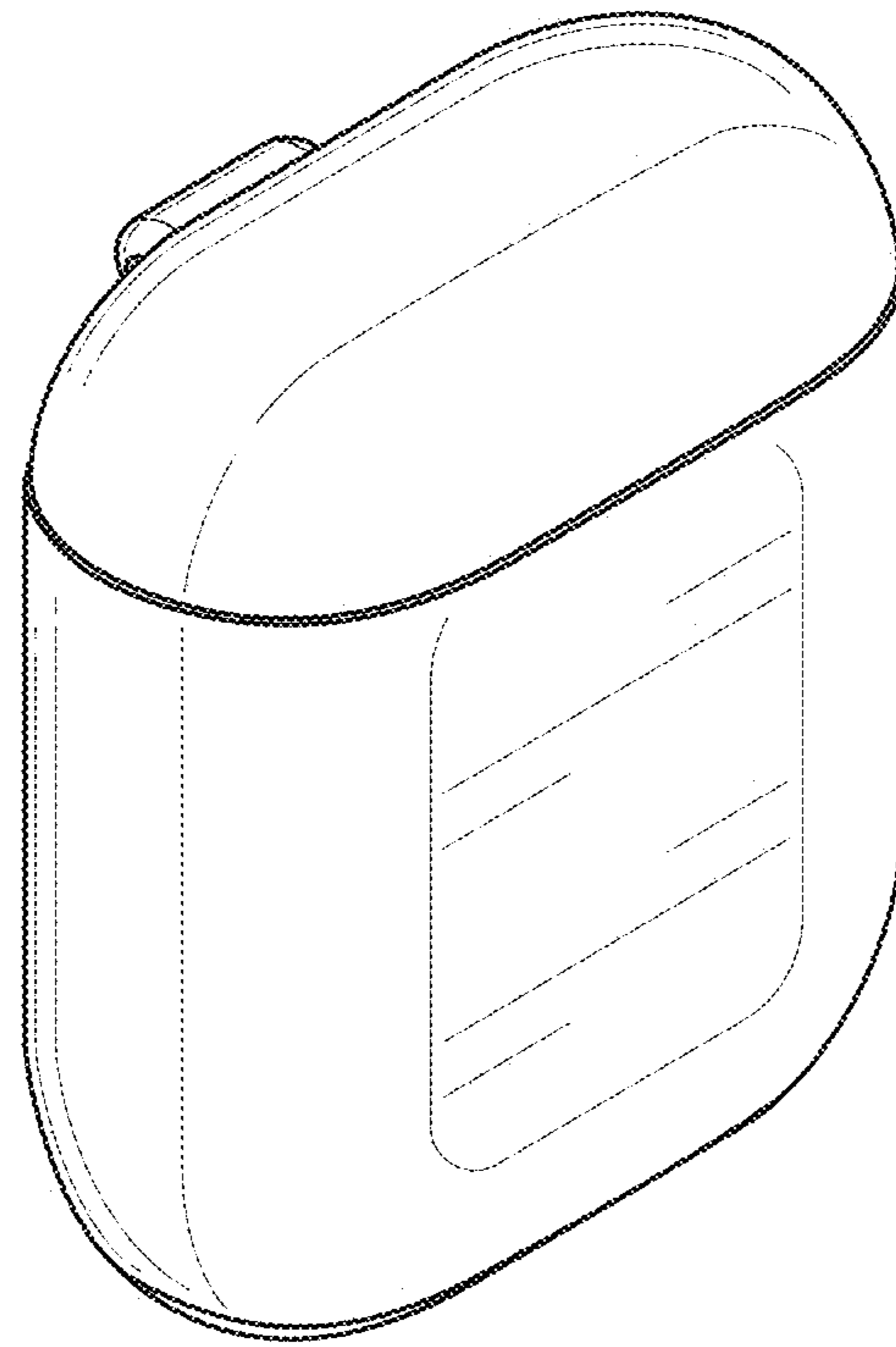


FIG. 1

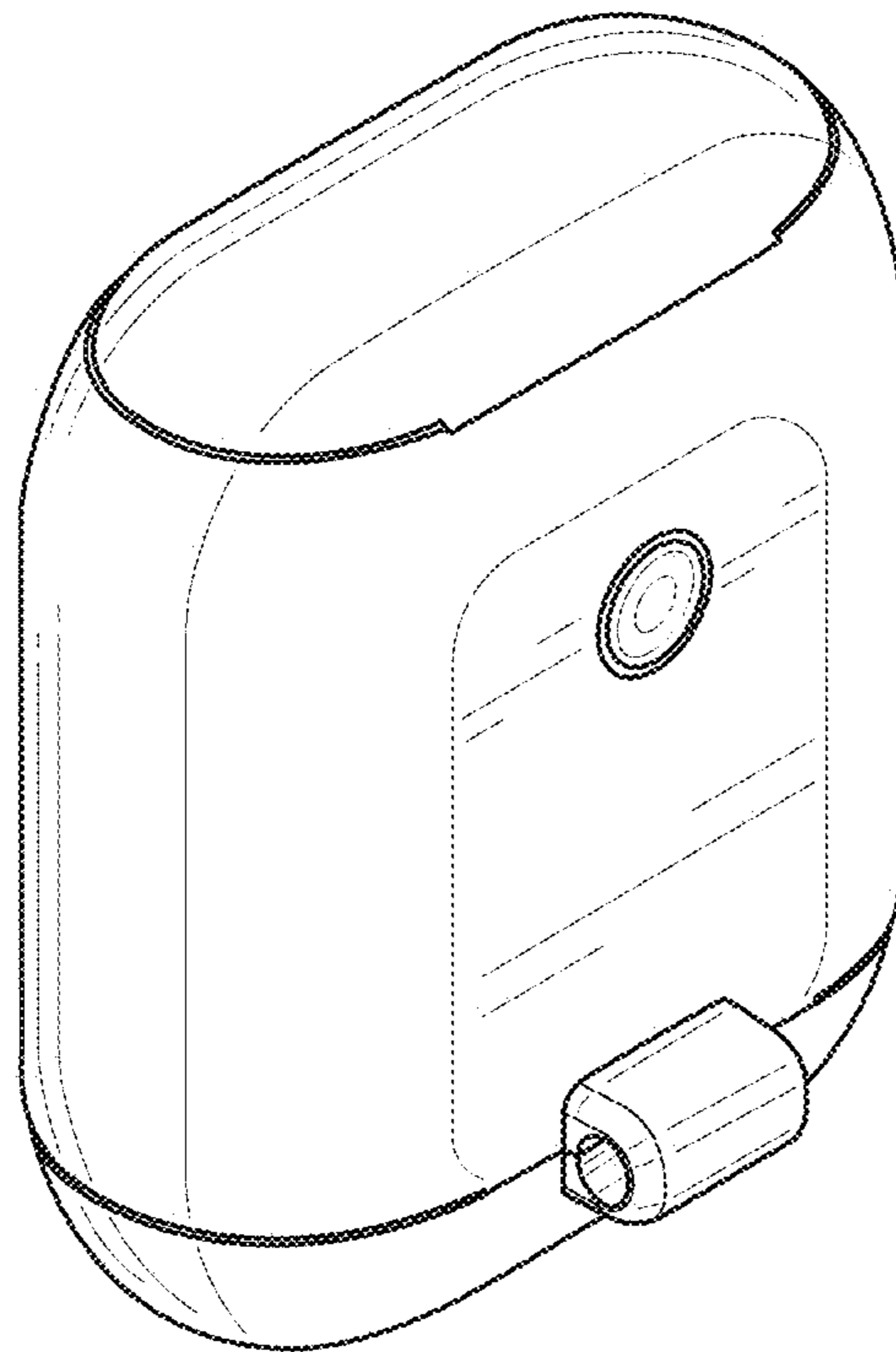


FIG. 2

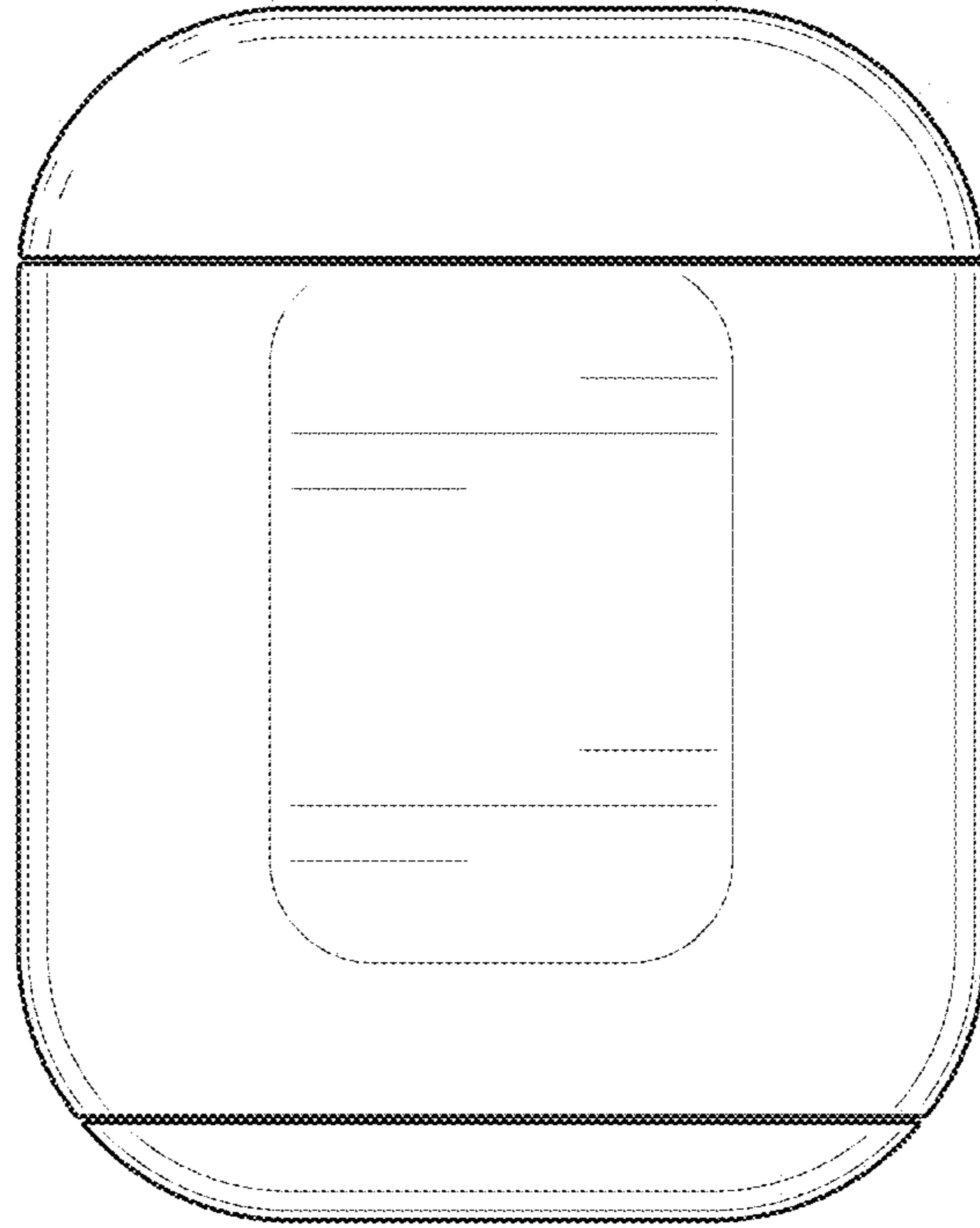


FIG. 3

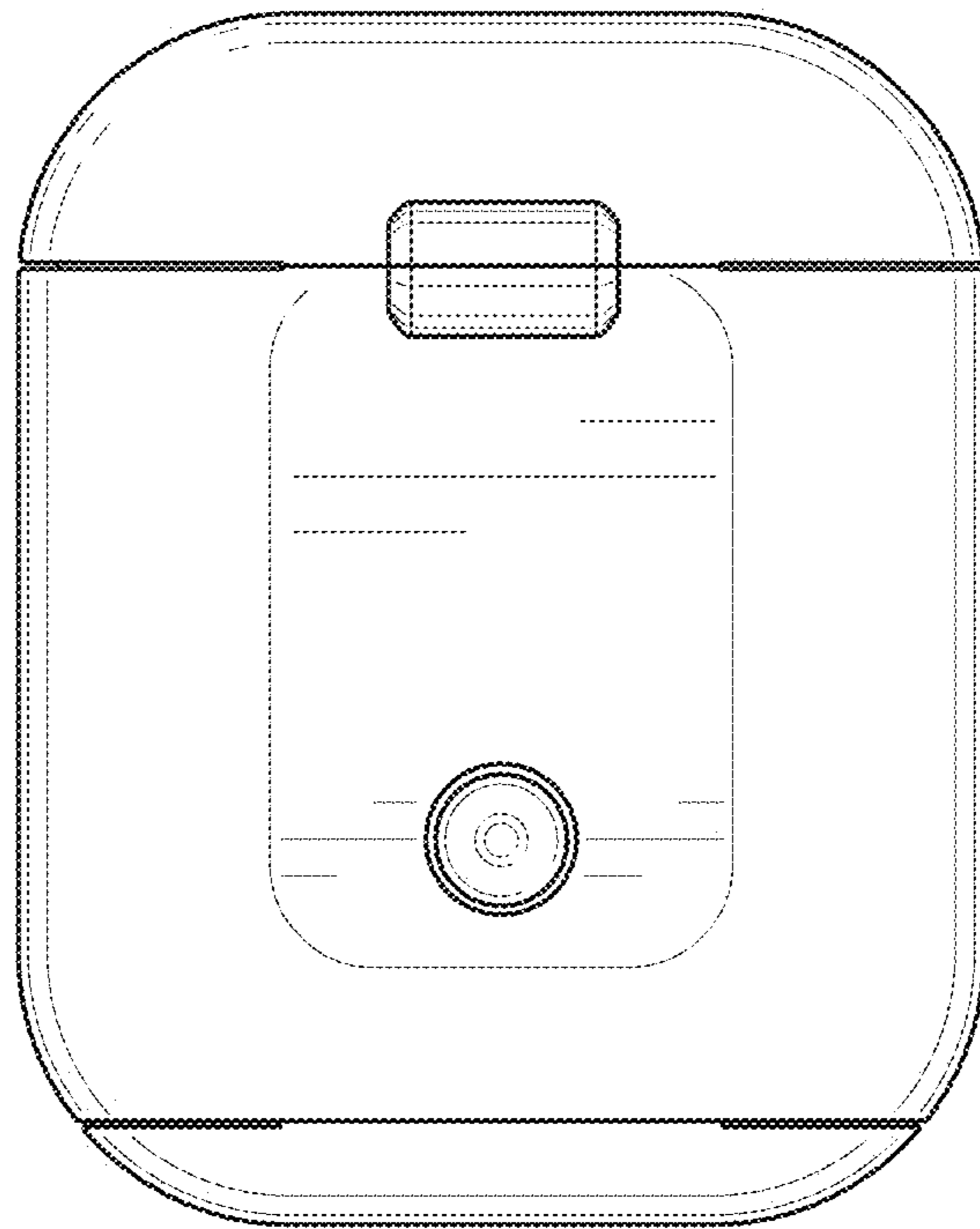


FIG. 4

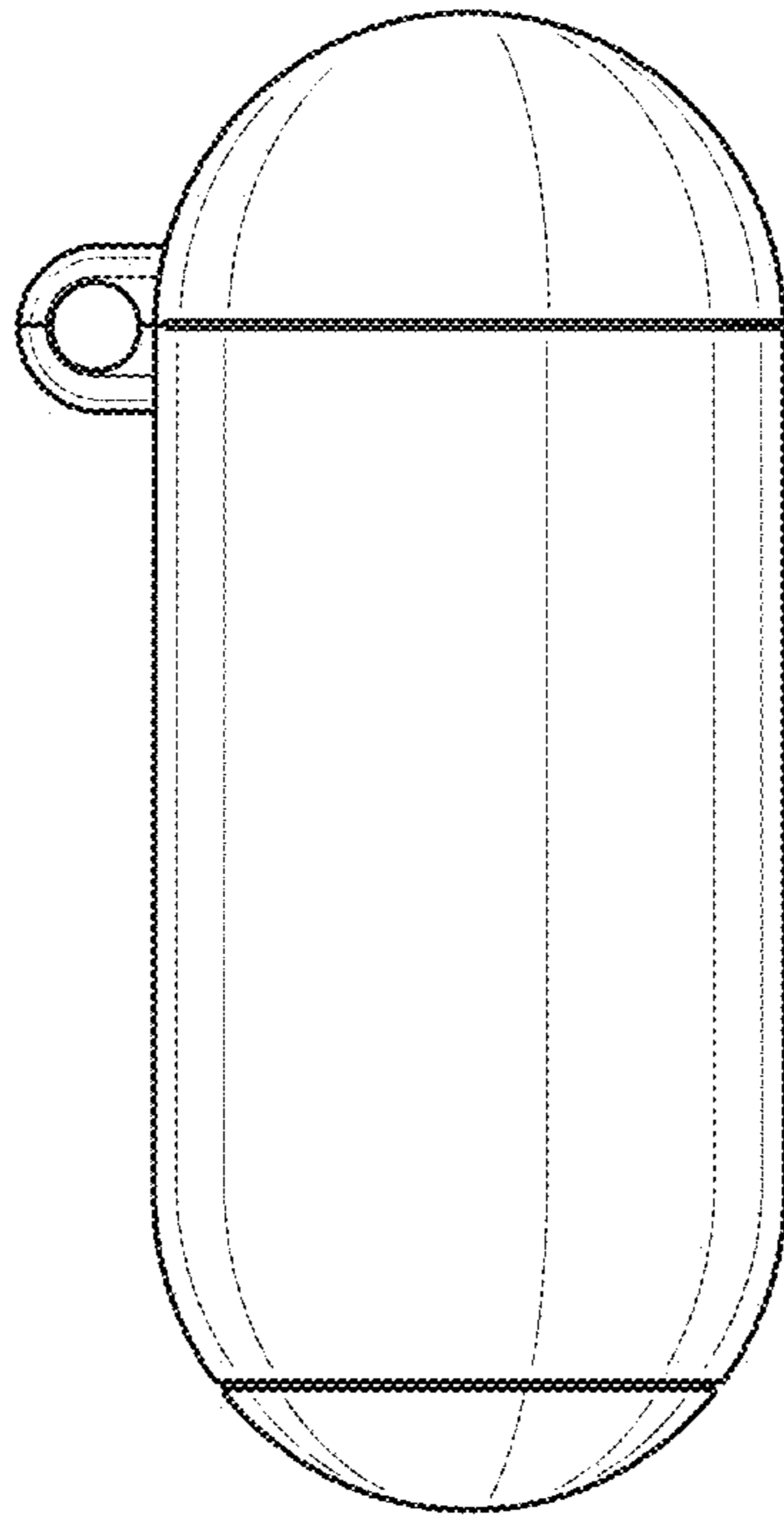


FIG. 5

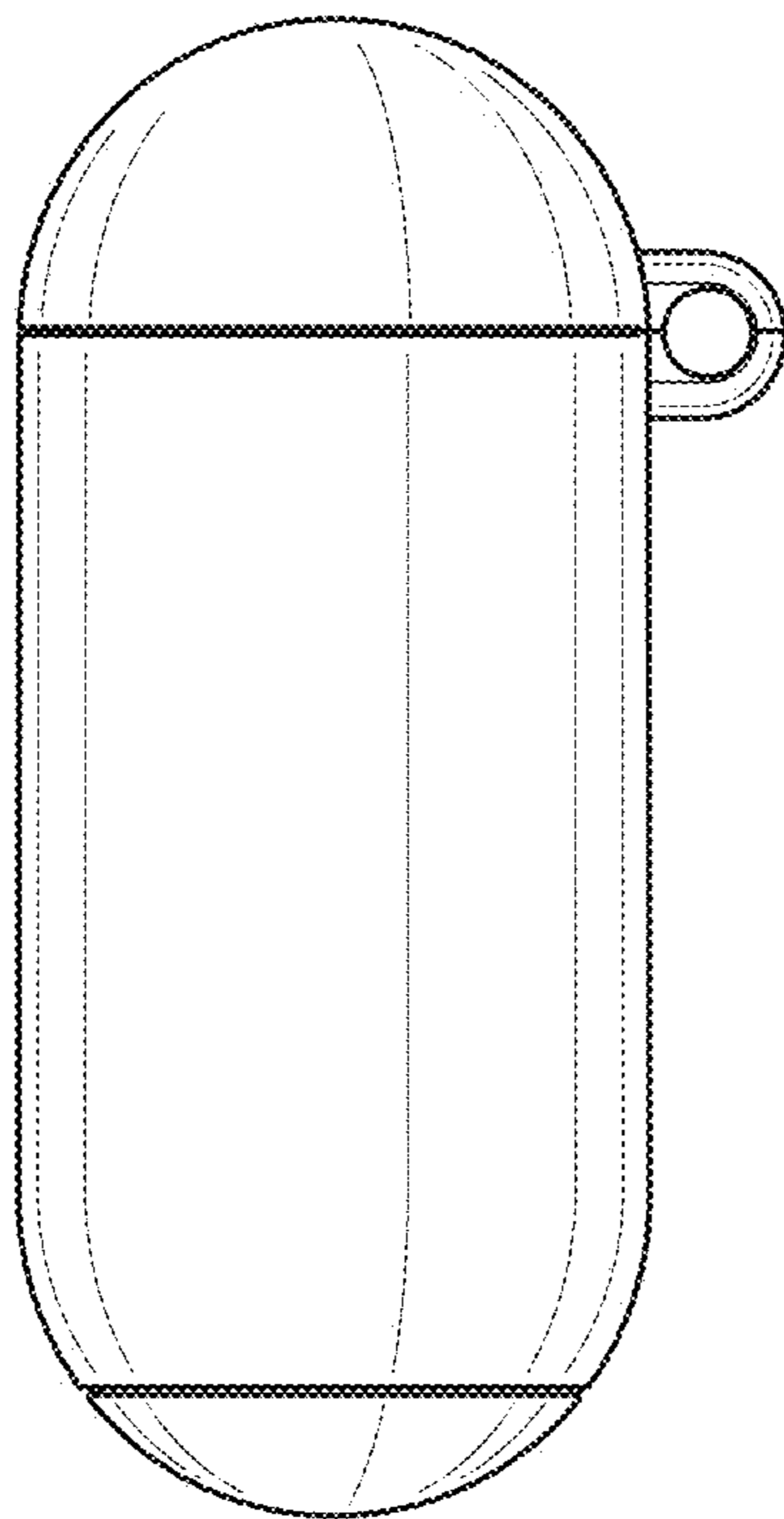


FIG. 6

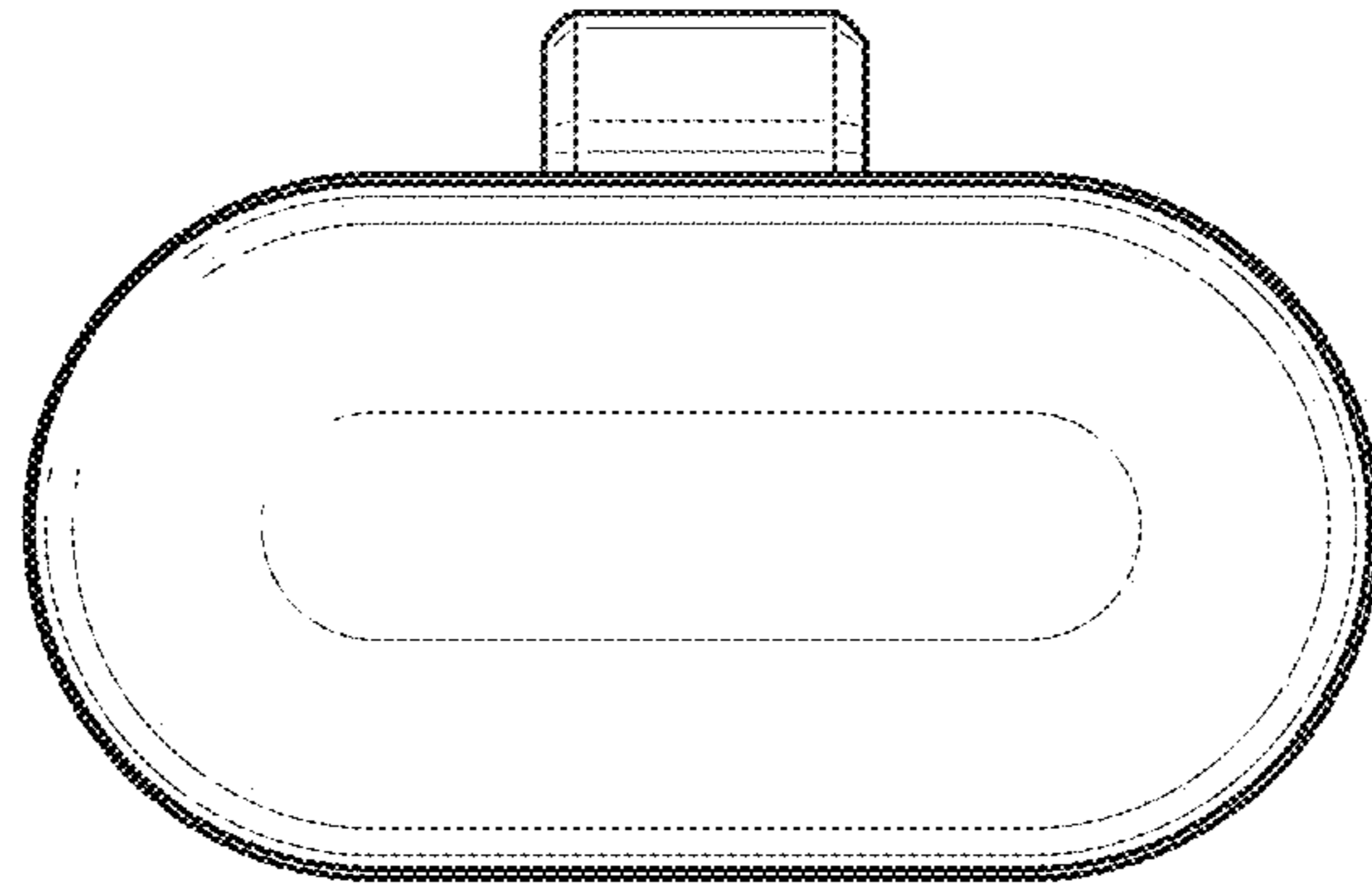


FIG. 7

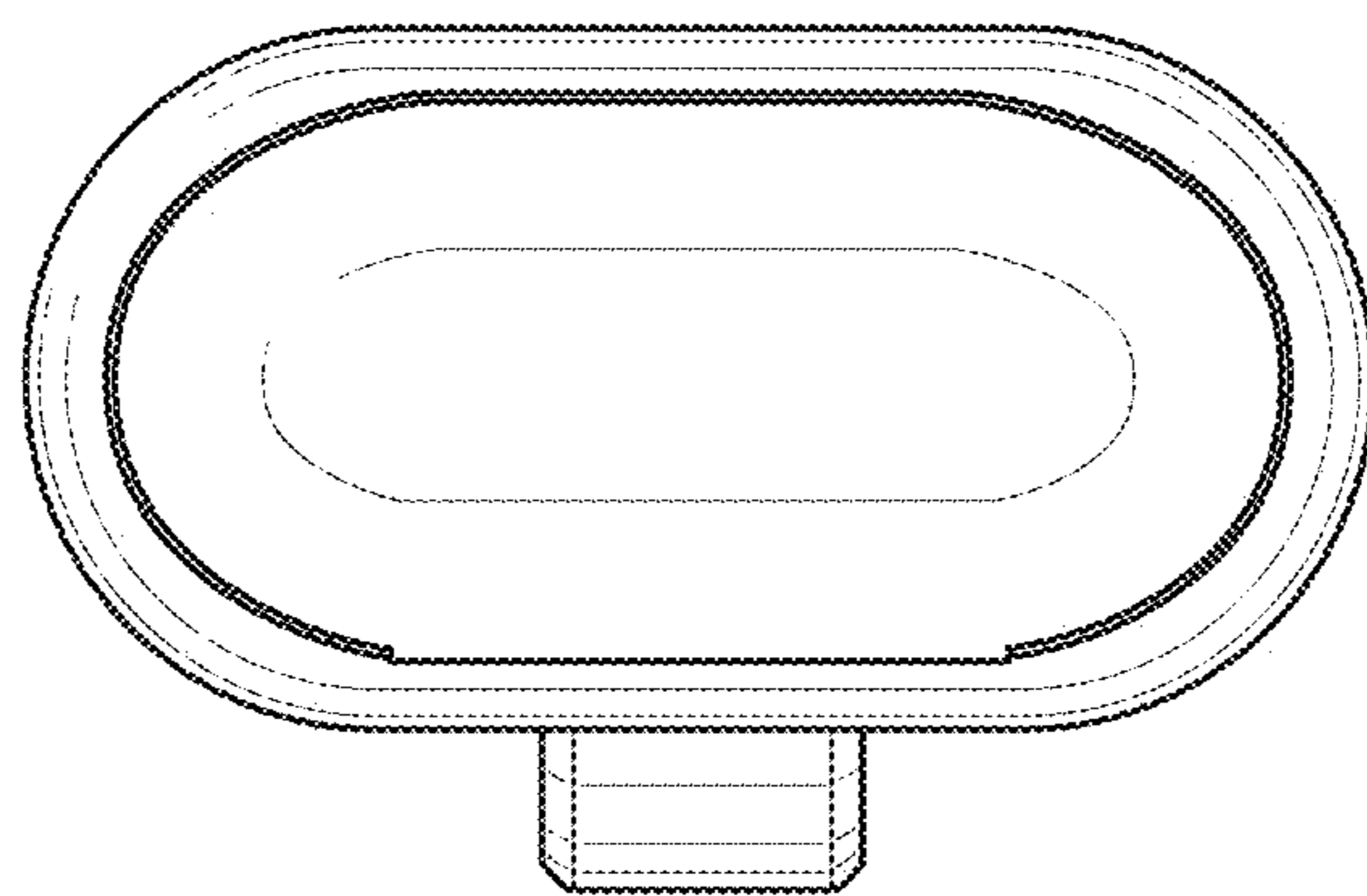


FIG. 8