

US00D892495S

(12) **United States Design Patent** (10) **Patent No.:** **US D892,495 S**
Derusha (45) **Date of Patent:** **** Aug. 11, 2020**

(54) **CLUTCH BAG**

(56) **References Cited**

(71) Applicant: **Joseph Derusha**, Sherman Oaks, CA
(US)

U.S. PATENT DOCUMENTS

(72) Inventor: **Joseph Derusha**, Sherman Oaks, CA
(US)

D425,698 S *	5/2000	Paul	D3/216
D672,141 S *	12/2012	Harbinson	D3/232
D757,425 S *	5/2016	Derusha	D3/232
D812,902 S *	3/2018	Derusha	D3/232
D812,903 S *	3/2018	Derusha	D3/232
D813,530 S *	3/2018	Derusha	D3/232

(**) Term: **15 Years**

* cited by examiner

(21) Appl. No.: **29/639,247**

Primary Examiner — Holly H Baynham

(22) Filed: **Mar. 5, 2018**

(74) *Attorney, Agent, or Firm* — Nixon Peabody LLP

(57) **CLAIM**

The ornamental design for a clutch bag, as shown.

Related U.S. Application Data

DESCRIPTION

(60) Continuation of application No. 29/561,284, filed on Apr. 14, 2016, now Pat. No. Des. 814,176, which is a division of application No. 29/483,249, filed on Feb. 26, 2014, now Pat. No. Des. 757,425.

FIG. 1 is a front perspective of a clutch bag.
FIG. 2 is a front view.
FIG. 3 is a rear view.
FIG. 4 is a top view.
FIG. 5 is a bottom view.
FIG. 6 is a left side view.
FIG. 7 is a right side view.
FIG. 8 is a front view in an unfolded configuration; and,
FIG. 9 is a rear view in an unfolded configuration.
The broken lines in the drawings depict environmental subject matter only and form no part of the claimed design.

(51) **LOC (12) Cl.** **03-01**

(52) **U.S. Cl.**
USPC **D3/232**

(58) **Field of Classification Search**
USPC D3/232-233, 240-243, 245-246
CPC A45C 1/024; A45C 3/06
See application file for complete search history.

1 Claim, 4 Drawing Sheets

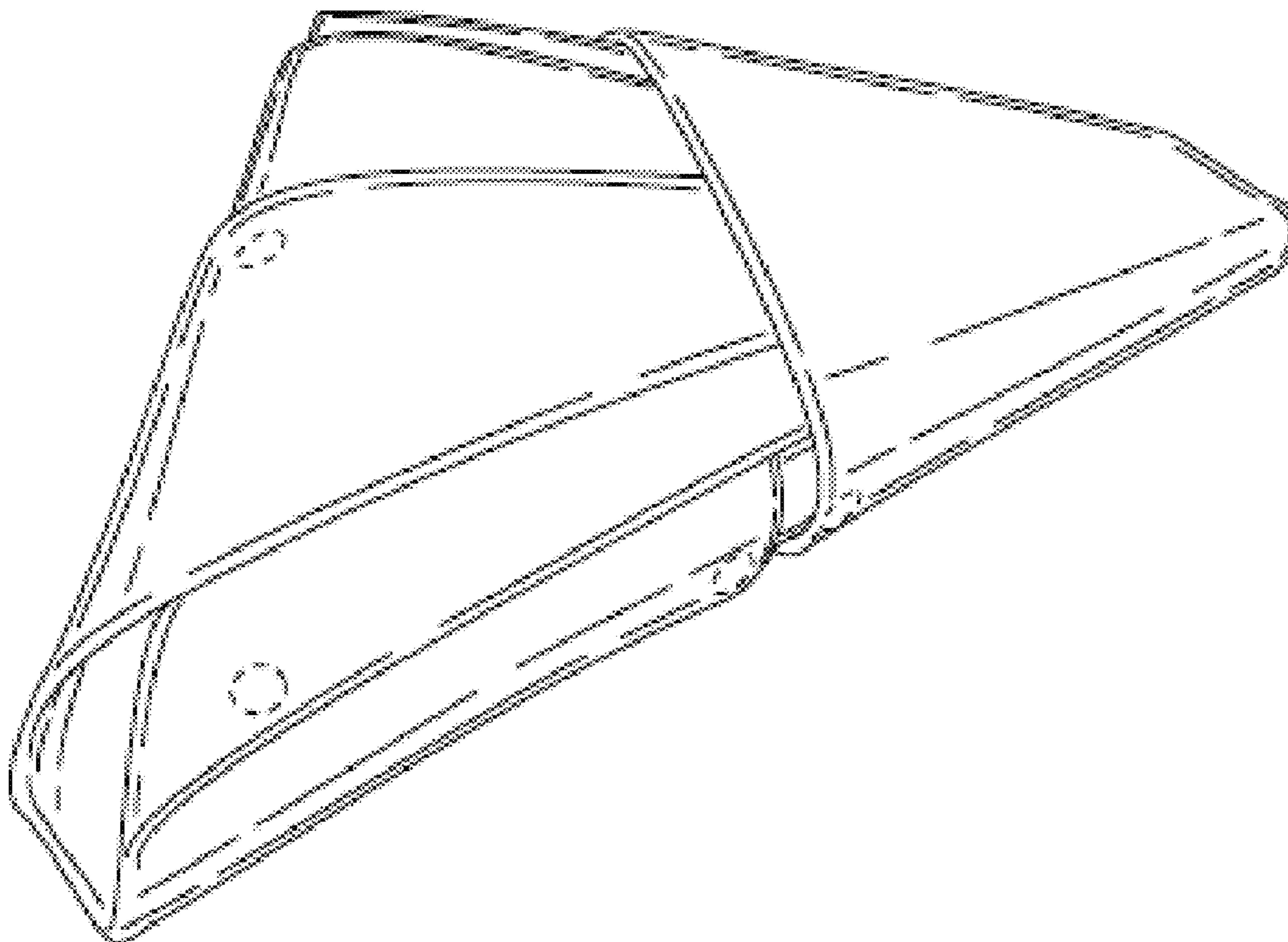


FIG. 1

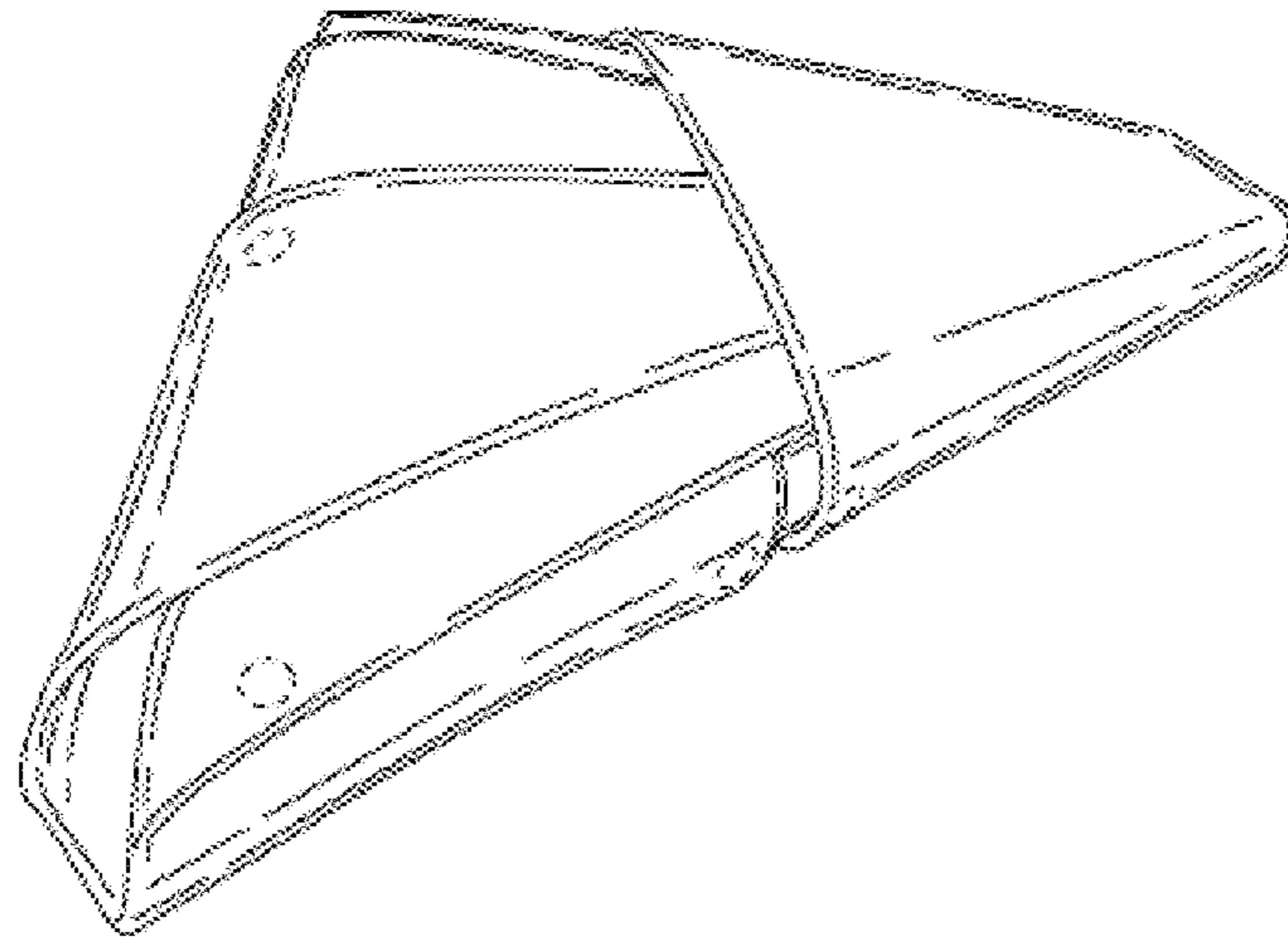


FIG. 2

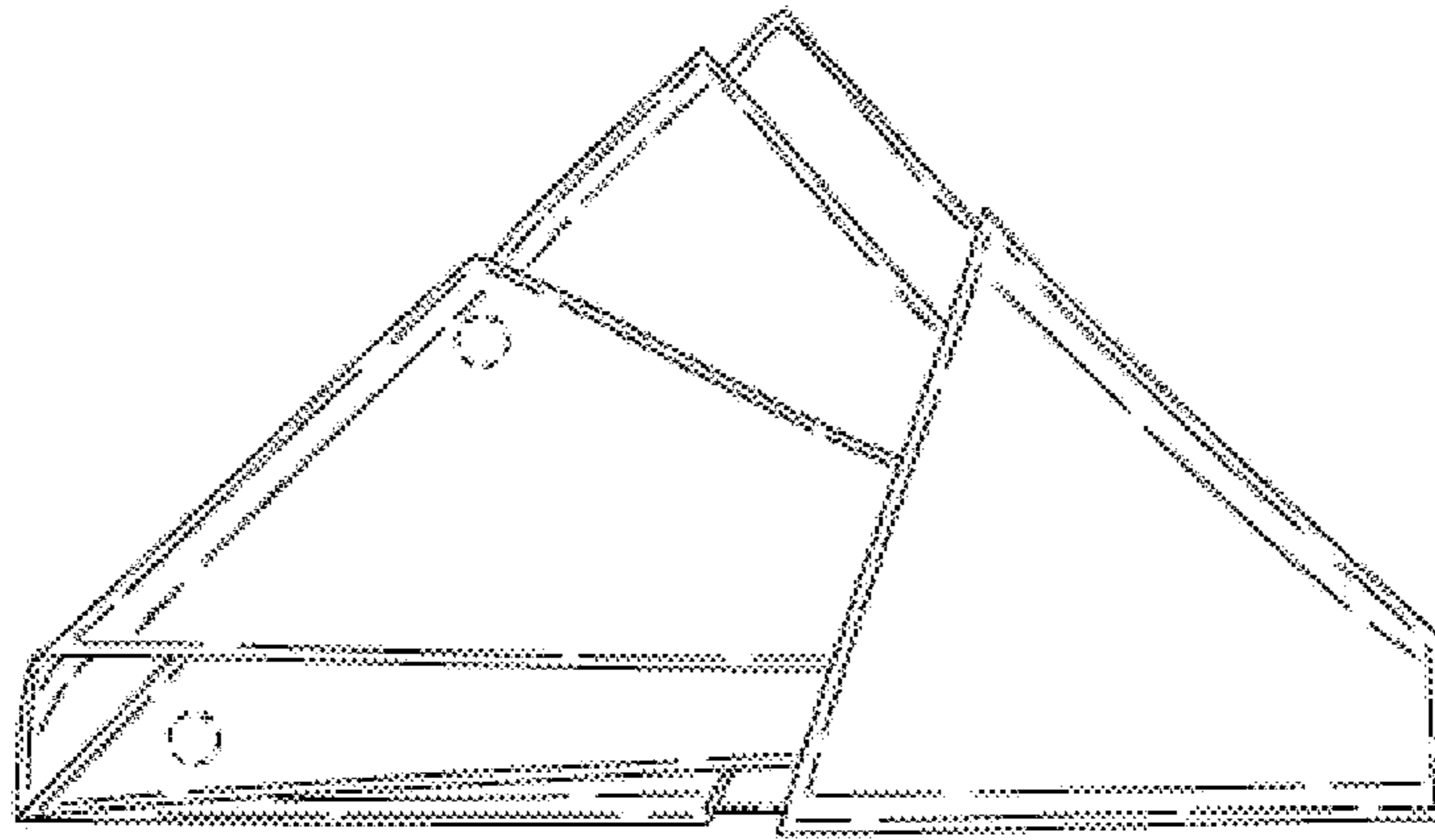


FIG. 3

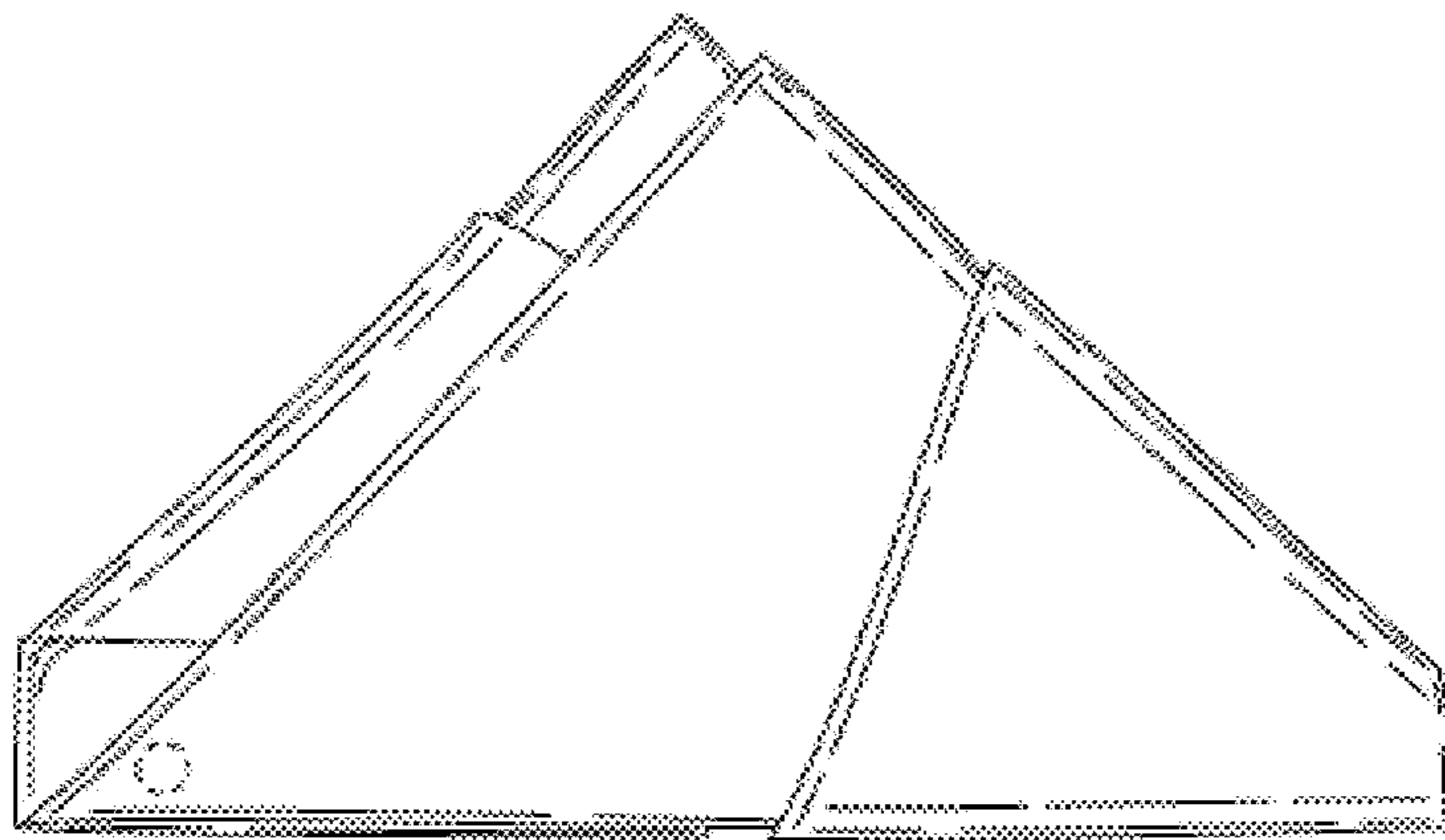


FIG. 4



FIG. 5



FIG. 6



FIG. 7

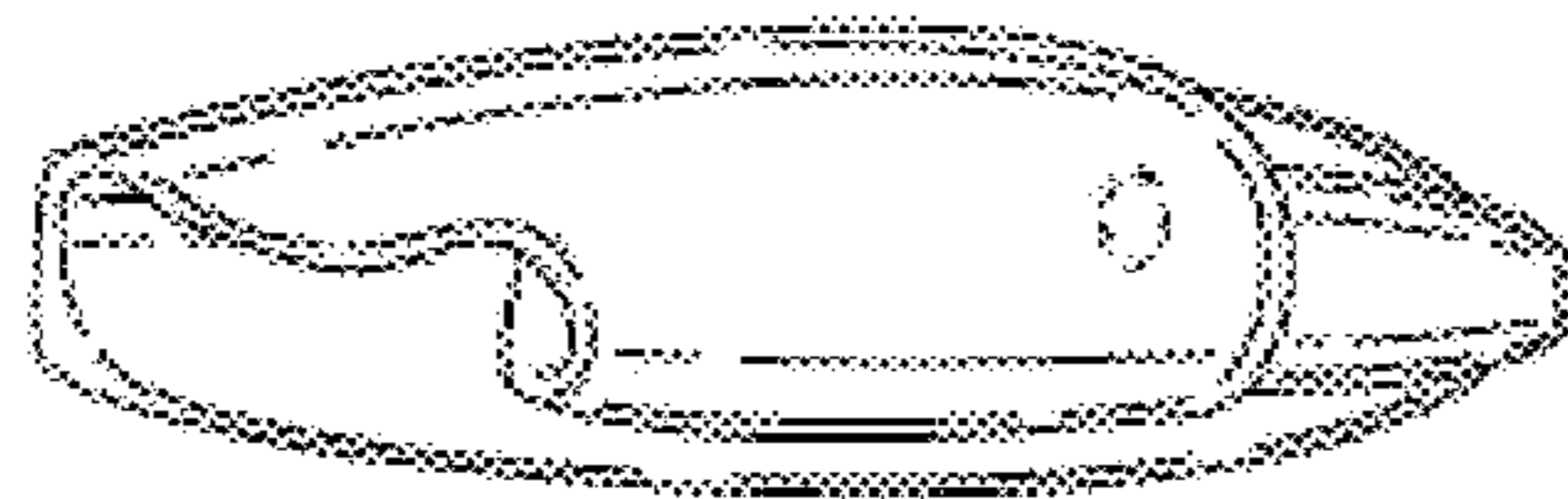


FIG. 8

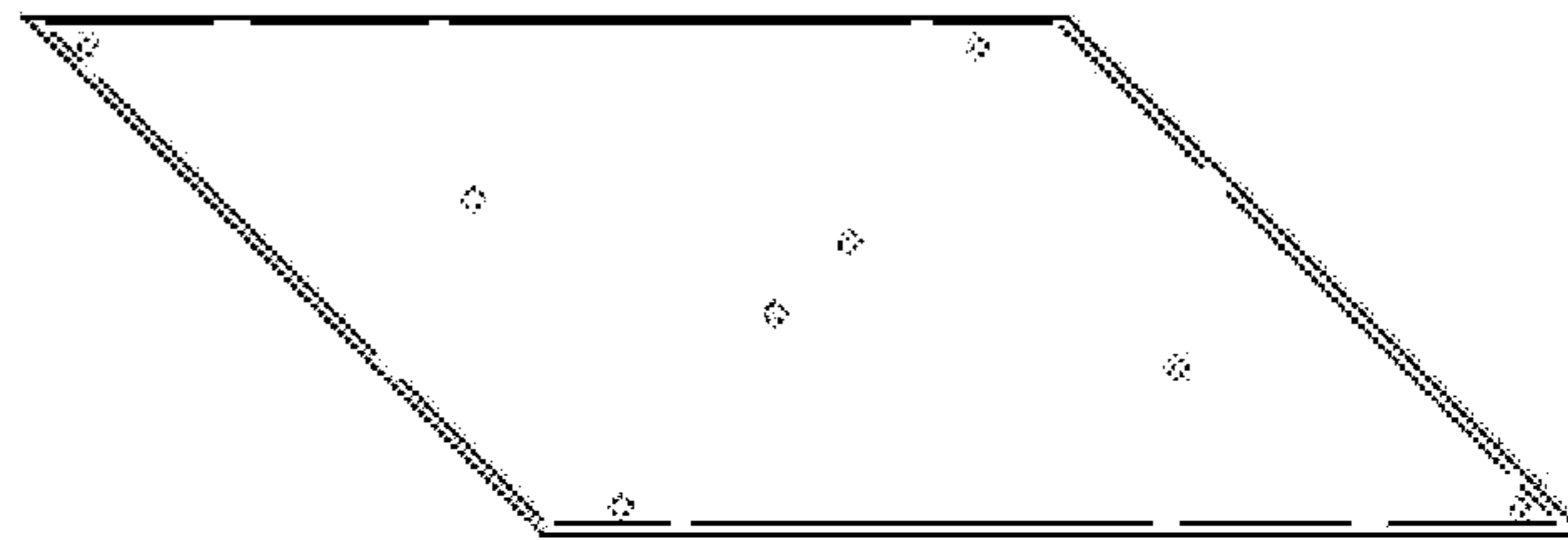


FIG. 9

