



US00D892493S

(12) **United States Design Patent**
Carson

(10) **Patent No.:** **US D892,493 S**

(45) **Date of Patent:** **** Aug. 11, 2020**

(54) **KEYCHAIN WITH INSERTS**

(71) Applicant: **Fat Brain Toy Co., LLC**, Elkhorn, NE
(US)

(72) Inventor: **Adam Michael Carson**, Elkhorn, NE
(US)

(73) Assignee: **FAT BRAIN TOY CO., LLC**, Elkhorn,
NE (US)

(**) Term: **15 Years**

(21) Appl. No.: **29/678,640**

(22) Filed: **Jan. 30, 2019**

(51) **LOC (12) Cl.** **03-01**

(52) **U.S. Cl.**
USPC **D3/207**

(58) **Field of Classification Search**
USPC D3/207, 208, 209, 210, 211, 212; D8/33,
D8/34, 38
CPC .. A44B 15/00; Y10T 70/8676; Y10T 24/1379
See application file for complete search history.

(56) **References Cited**

U.S. PATENT DOCUMENTS

3,266,501	A *	8/1966	Hankey	A45C 1/02 206/81
3,503,235	A *	3/1970	Field	A44B 15/002 70/456 R
3,599,457	A *	8/1971	Kamp	A44B 15/00 70/459
4,045,013	A	8/1977	Coster		
D247,995	S *	5/1978	Lage	D3/211
D450,182	S *	11/2001	Truisi	D3/211

6,938,768	B2	9/2005	Ferretti et al.	
7,771,200	B2	8/2010	Schultz	
D644,427	S *	9/2011	Cunningham D3/208

OTHER PUBLICATIONS

“Last Mouse Lost” from FoxMind; TTPM Toy Reviews; Nov. 18, 2014; <https://www.youtube.com/watch?v=3tfLpiPn1Hs>.

* cited by examiner

Primary Examiner — Kevin K Rudzinski

Assistant Examiner — Amber J Rabie

(74) *Attorney, Agent, or Firm* — Mallory M. Henninger;
Advent, LLP

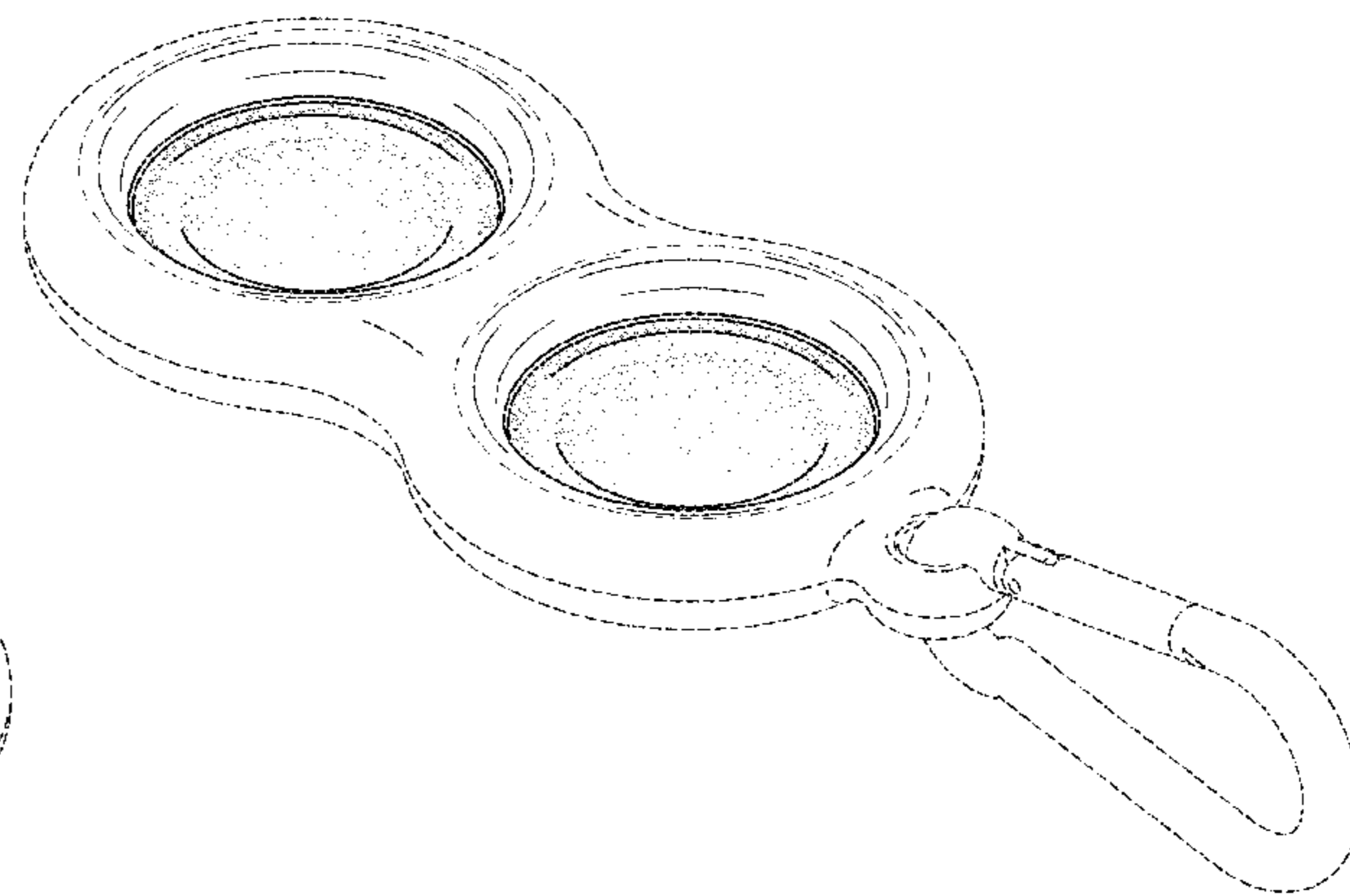
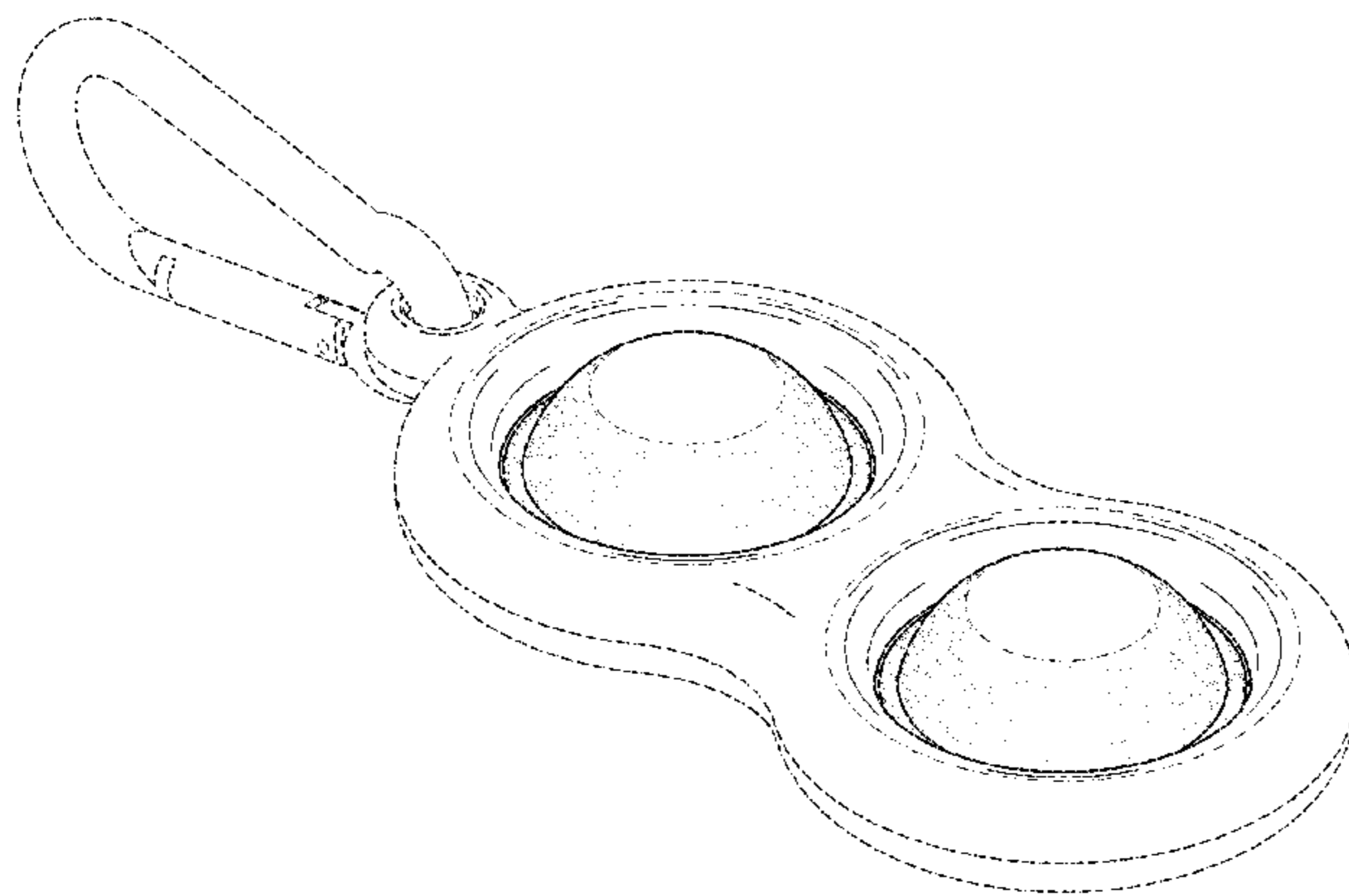
(57) **CLAIM**

The ornamental design for a keychain with inserts, as shown and described.

DESCRIPTION

FIG. 1 is a top plan view of a keychain with inserts.
 FIG. 2 is a bottom view of the keychain with inserts of FIG. 1.
 FIG. 3 is a front elevation view of the keychain with inserts of FIG. 1.
 FIG. 4 is a rear elevation view of the keychain with inserts of FIG. 1.
 FIG. 5 is a left side elevation view of the keychain with inserts of FIG. 1.
 FIG. 6 is a right side elevation view of the keychain with inserts of FIG. 1.
 FIG. 7 is an isometric view of the keychain with inserts of FIG. 1; and,
 FIG. 8 is another isometric view of the keychain with inserts of FIG. 1.
 Portions of FIGS. 1 through 8 are shown in broken lines and dash-dot-dash boundary lines illustrating portions of the article that form no part of the claimed design.

1 Claim, 6 Drawing Sheets



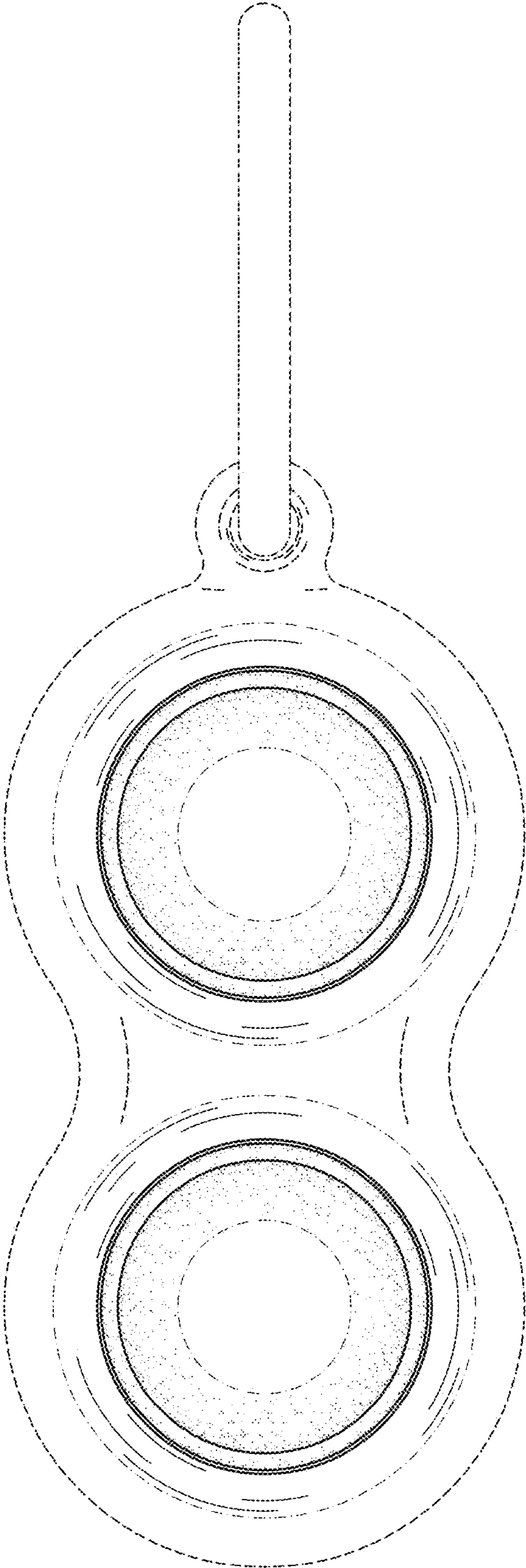


FIG. 1

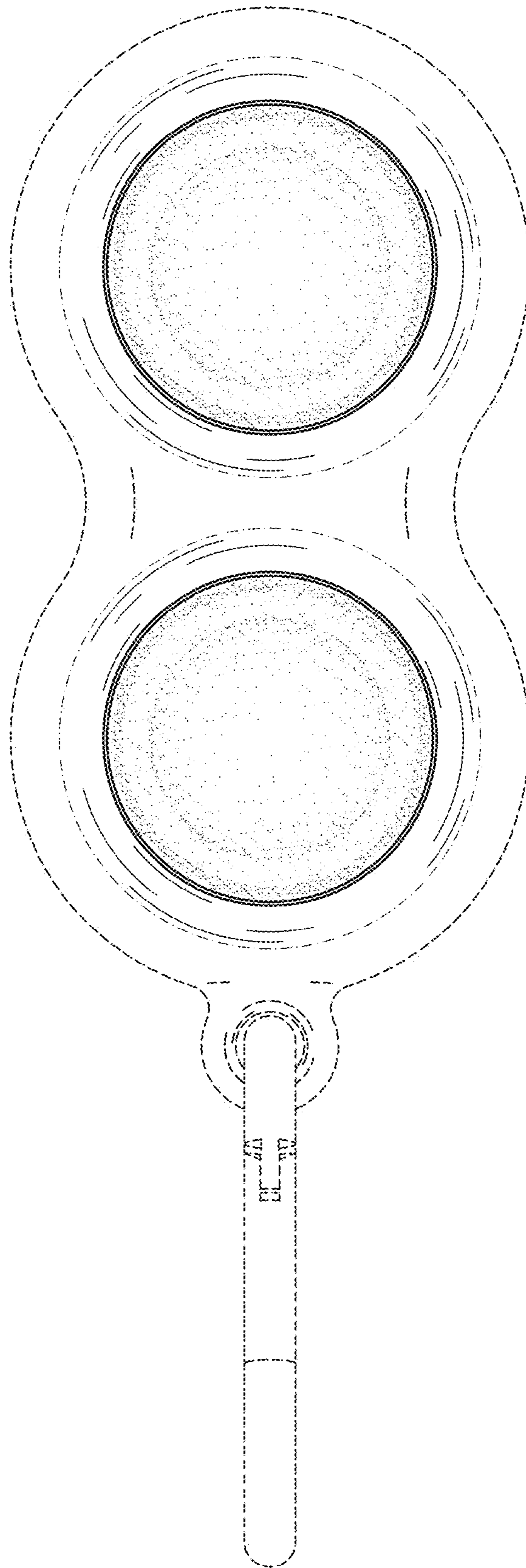


FIG. 2

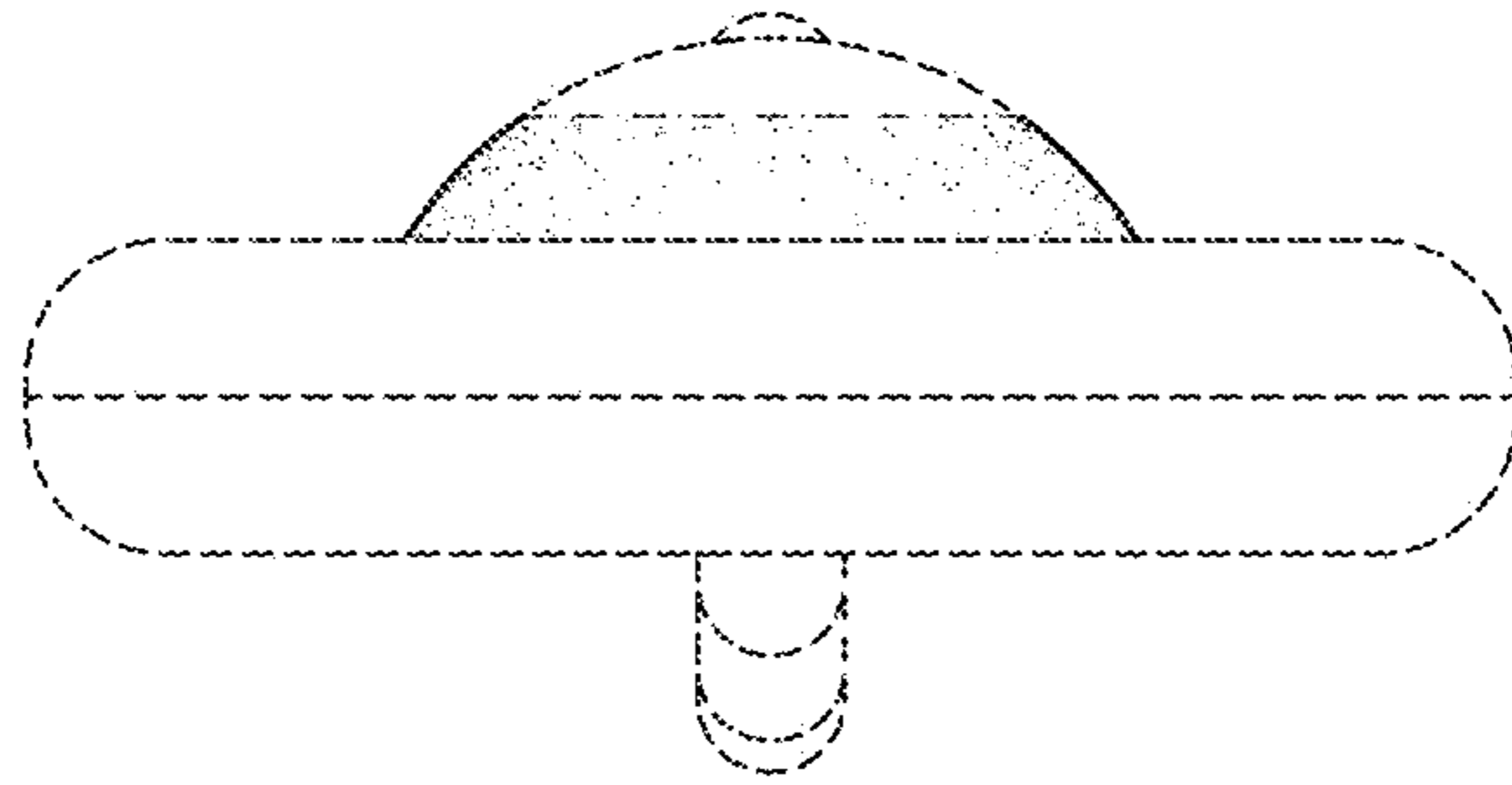


FIG. 3

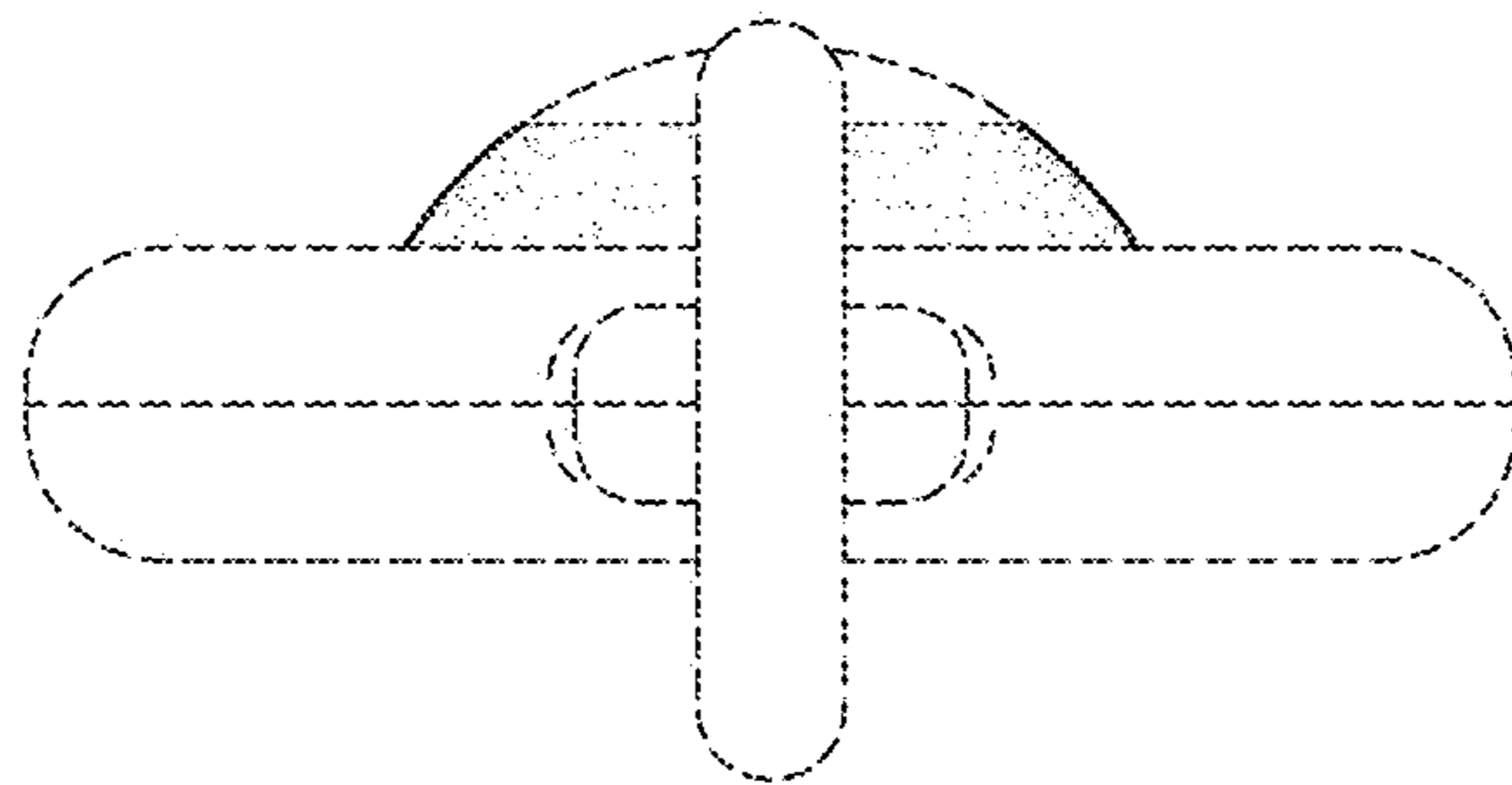


FIG. 4

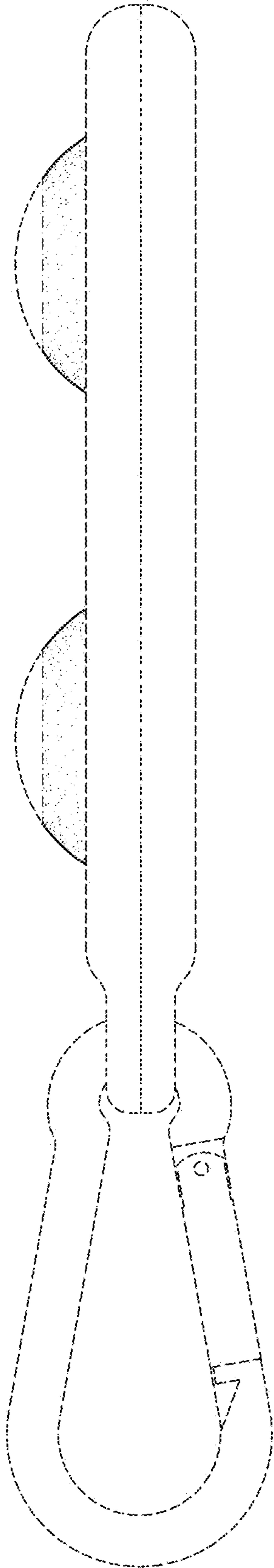


FIG. 5

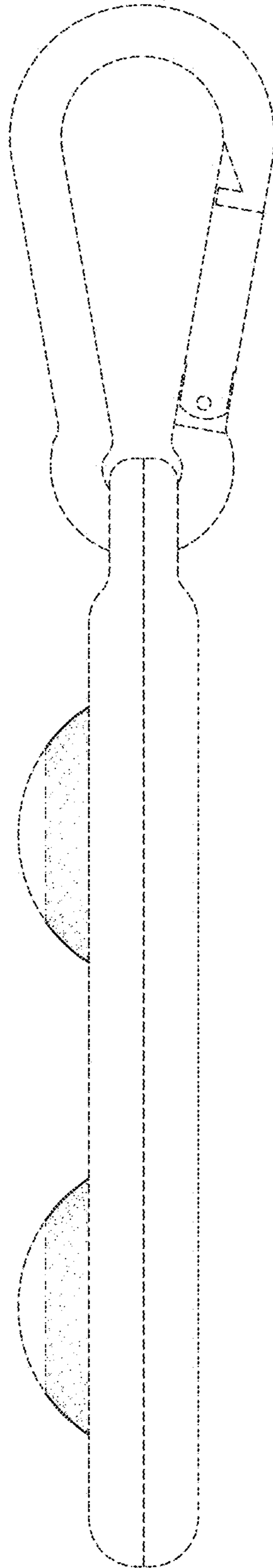


FIG. 6

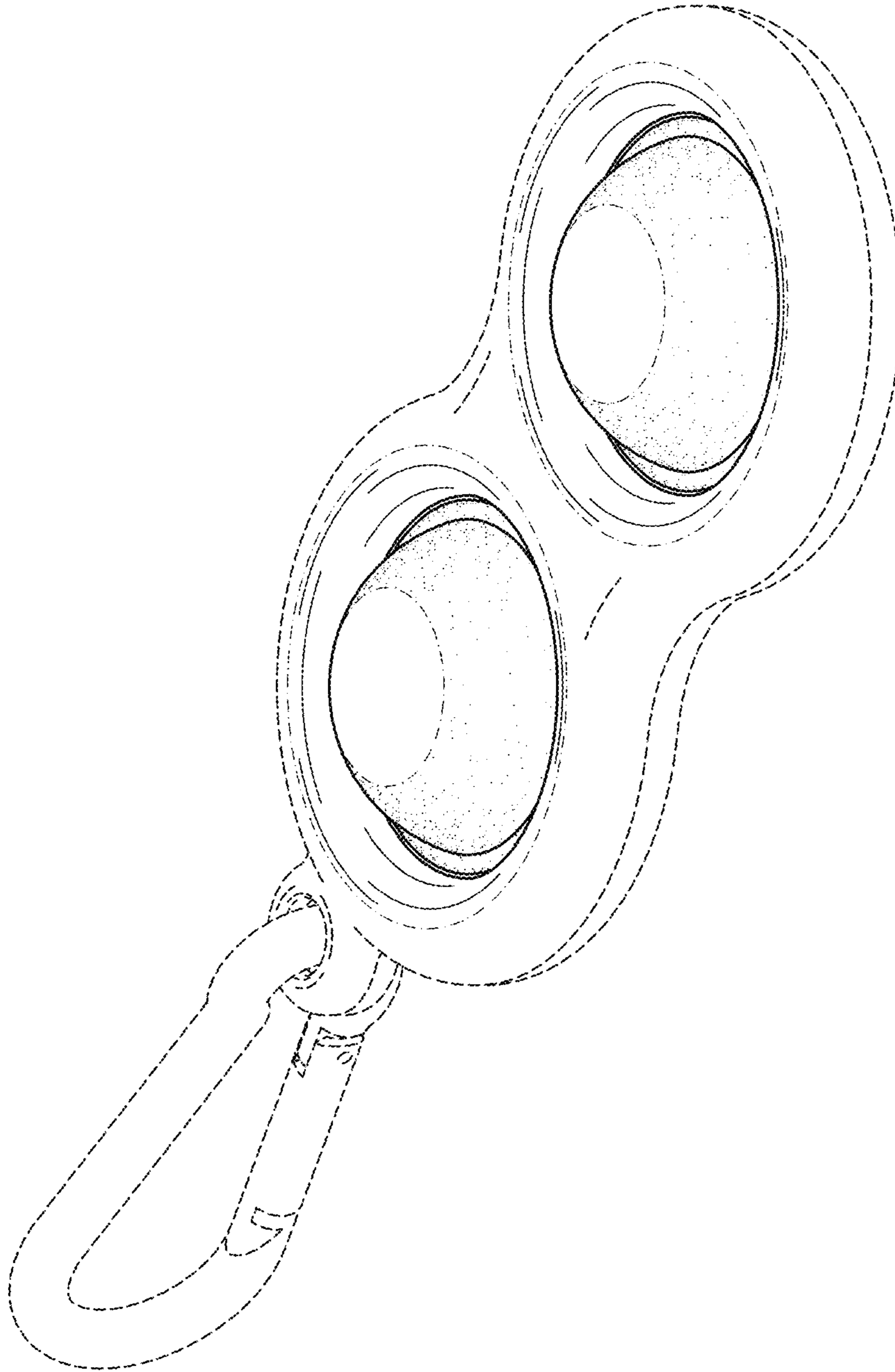


FIG. 7

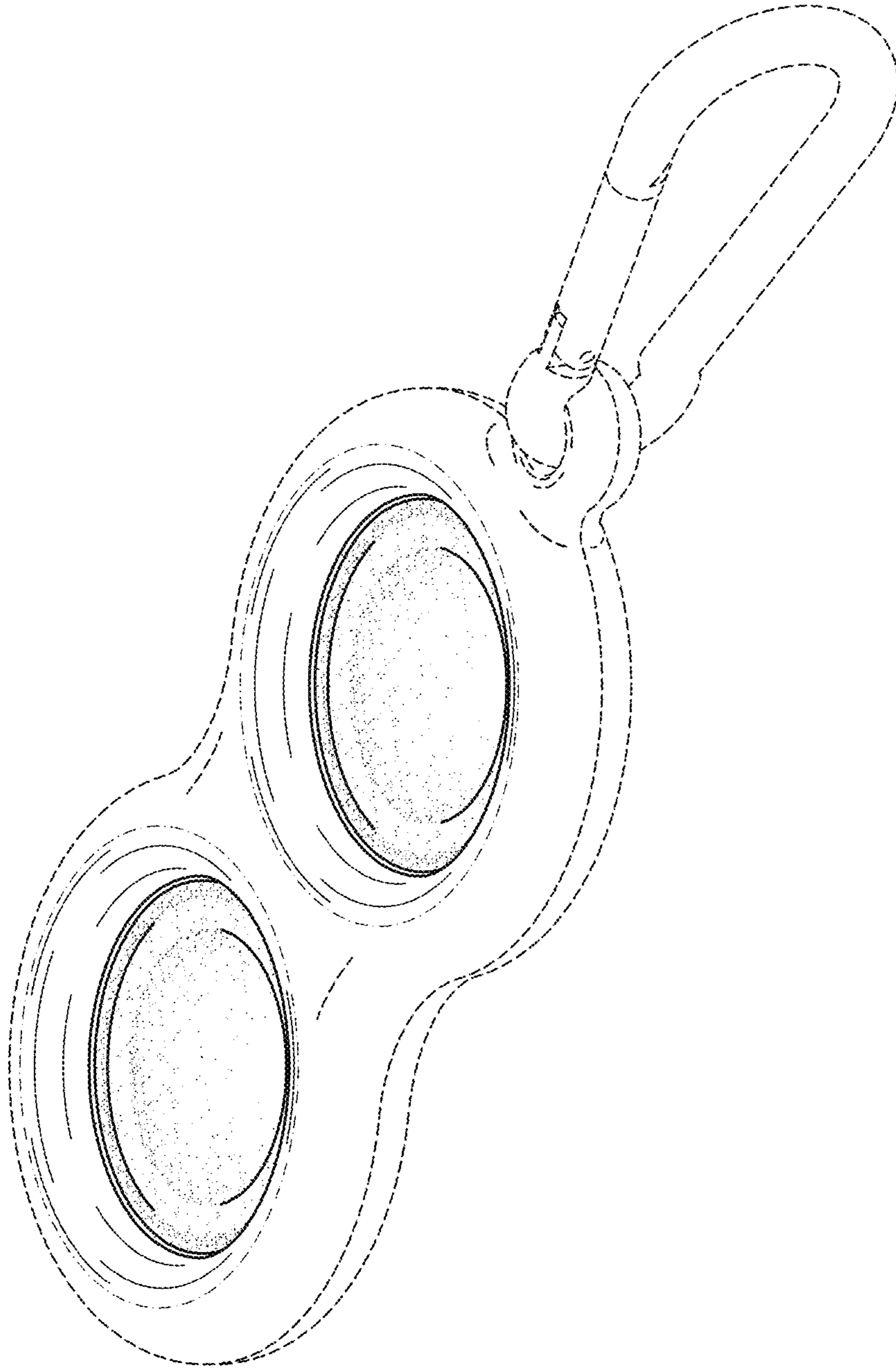


FIG. 8