



US00D892490S

(12) **United States Design Patent** (10) **Patent No.:** **US D892,490 S**  
**Hoshikawa** (45) **Date of Patent:** **\*\* Aug. 11, 2020**

- (54) **ACCESSORY CASE**
- (71) Applicant: **Trinity, Inc.**, Saitama (JP)
- (72) Inventor: **Tetsushi Hoshikawa**, Saitama (JP)
- (73) Assignee: **Trinity, Inc.**, Saitama (JP)
- (\*\*) Term: **15 Years**
- (21) Appl. No.: **29/619,876**
- (22) Filed: **Oct. 3, 2017**
- (30) **Foreign Application Priority Data**  
Apr. 3, 2017 (JP) ..... 2017-007088
- (51) **LOC (12) Cl.** ..... **03-01**
- (52) **U.S. Cl.**  
USPC ..... **D3/201**
- (58) **Field of Classification Search**  
USPC ..... D3/201, 207, 208, 215, 226, 228, 229,  
D3/230, 269, 273, 290, 299, 303, 316,  
D3/318  
CPC ..... B65D 83/384; F41H 9/10  
See application file for complete search history.

- (56) **References Cited**  
**U.S. PATENT DOCUMENTS**  
2,028,825 A \* 1/1936 Christensen ..... A45C 11/26  
126/261  
D238,751 S \* 2/1976 MacGrossen ..... D3/203.4  
D274,040 S \* 5/1984 Ridgley ..... D3/203.3  
D286,019 S \* 10/1986 Fishman ..... D9/449  
D434,980 S \* 12/2000 Suzuki ..... D9/418  
6,382,411 B1 \* 5/2002 Wentling ..... A47G 19/2205  
206/217  
7,793,796 B1 \* 9/2010 Evans ..... A45D 8/00  
221/113

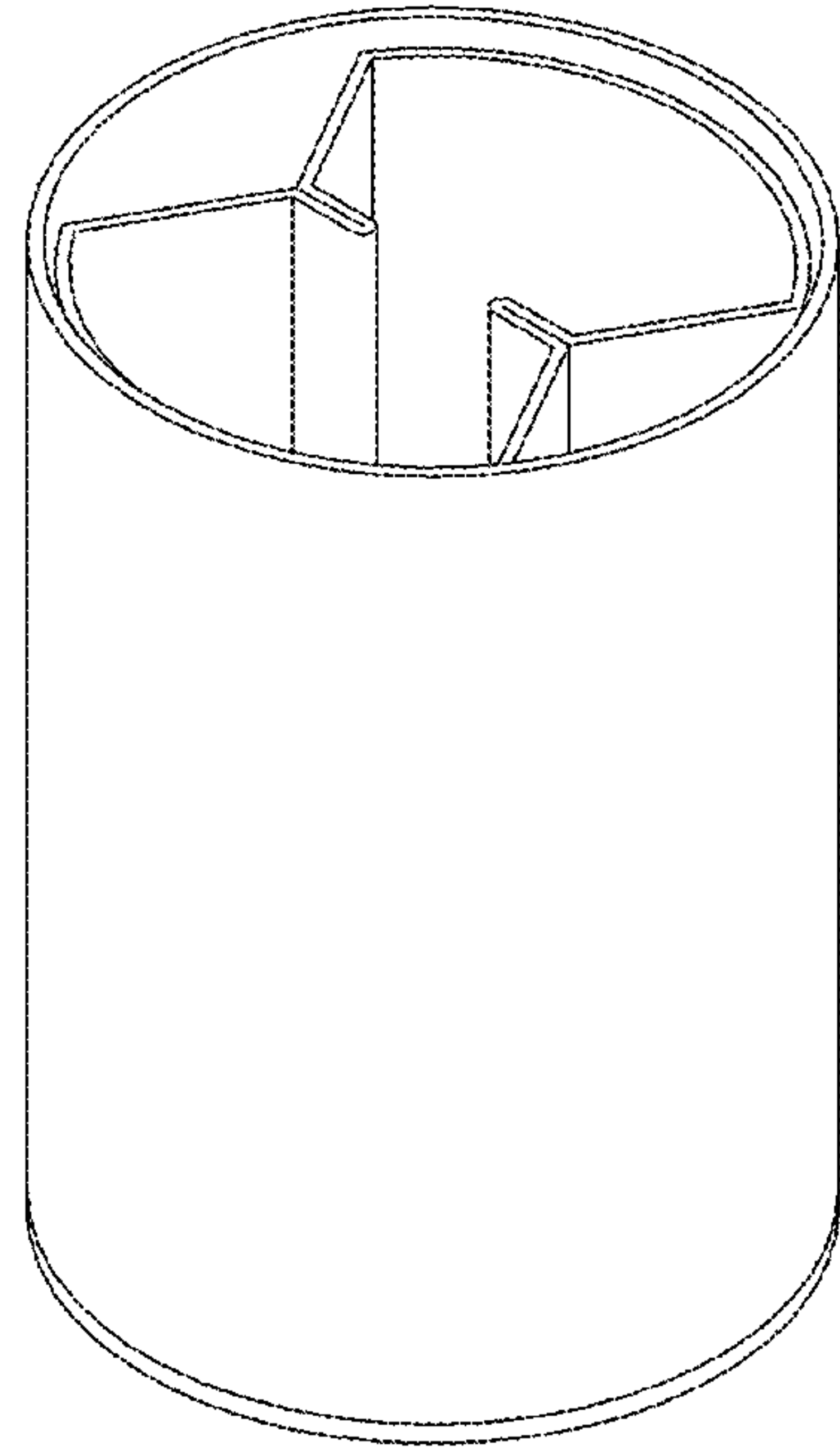
- D726,007 S \* 4/2015 Beth-Jacob ..... D9/436
- D793,717 S \* 8/2017 Boljat ..... D3/205
- D808,152 S \* 1/2018 Giannopoulos ..... D3/203.1
- D828,007 S \* 9/2018 Tallarida ..... D3/10
- D840,674 S \* 2/2019 Earhart ..... D3/202

\* cited by examiner  
*Primary Examiner* — Brandon M Rosati  
*Assistant Examiner* — Calvin E Vansant  
(74) *Attorney, Agent, or Firm* — JCIPRNET

(57) **CLAIM**  
The ornamental design for an accessory case, as shown and described.

**DESCRIPTION**  
FIG. 1 is a perspective view of an accessory case showing my new design;  
FIG. 2 is a front view thereof, the rear view being an identical image;  
FIG. 3 is a right side view thereof, the left view being an identical image;  
FIG. 4 is a top view thereof;  
FIG. 5 is a bottom view thereof;  
FIG. 6 is a cross-sectional view taken along line 6-6 in FIG. 2;  
FIG. 7 is a perspective view thereof, showing the internal partition in an open position;  
FIG. 8 is a top view thereof, showing the internal partition in the open position;  
FIG. 9 is an exploded perspective view thereof; and,  
FIG. 10 is an exploded perspective view thereof, shown in environmental use.  
The broken lines in FIG. 6 show portions of the accessory case that form no part of the claimed design. The broken lines in FIG. 10 show the environment for illustrative purposes only and form no part of the claimed design.

**1 Claim, 10 Drawing Sheets**



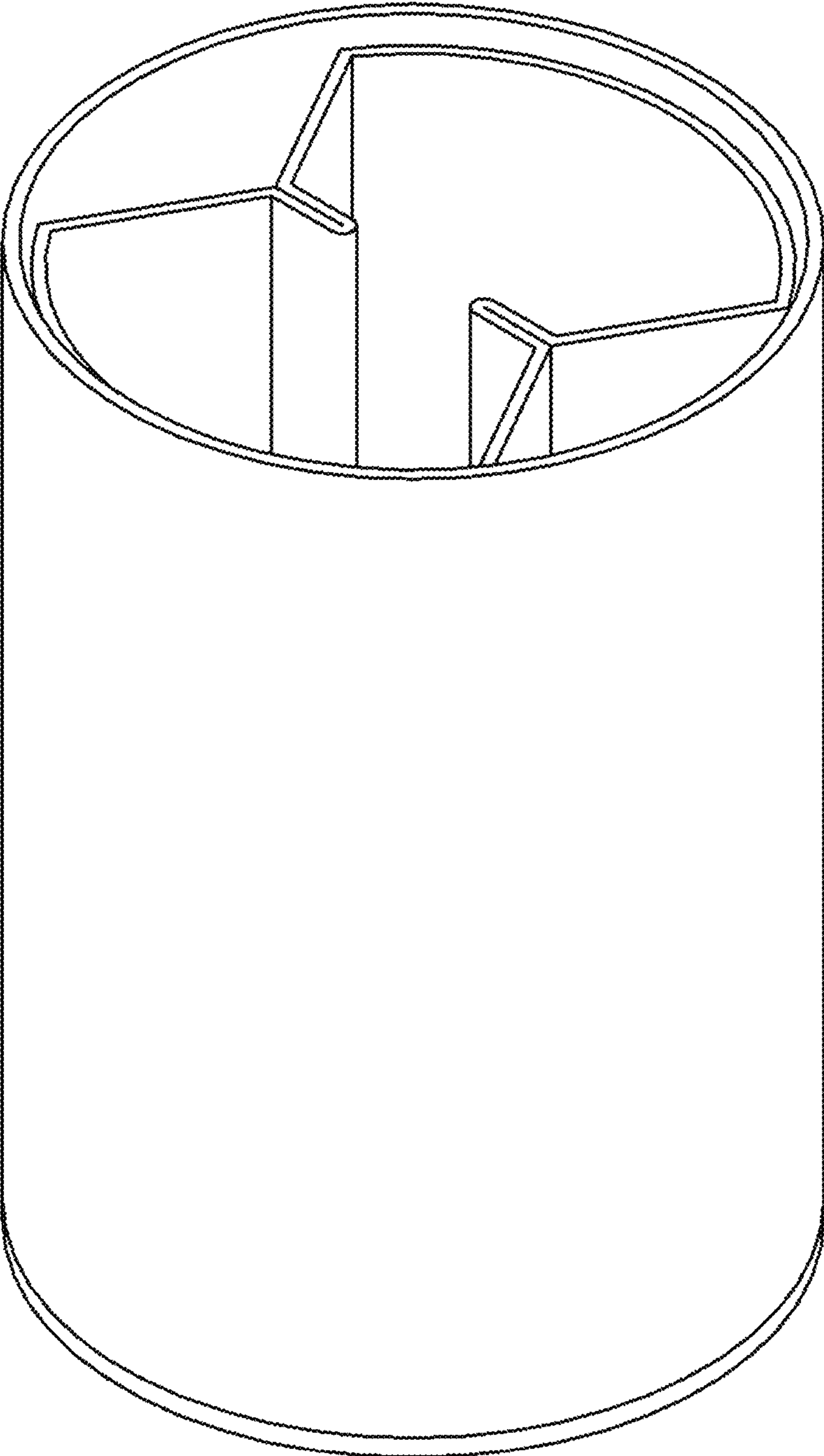


FIG. 1

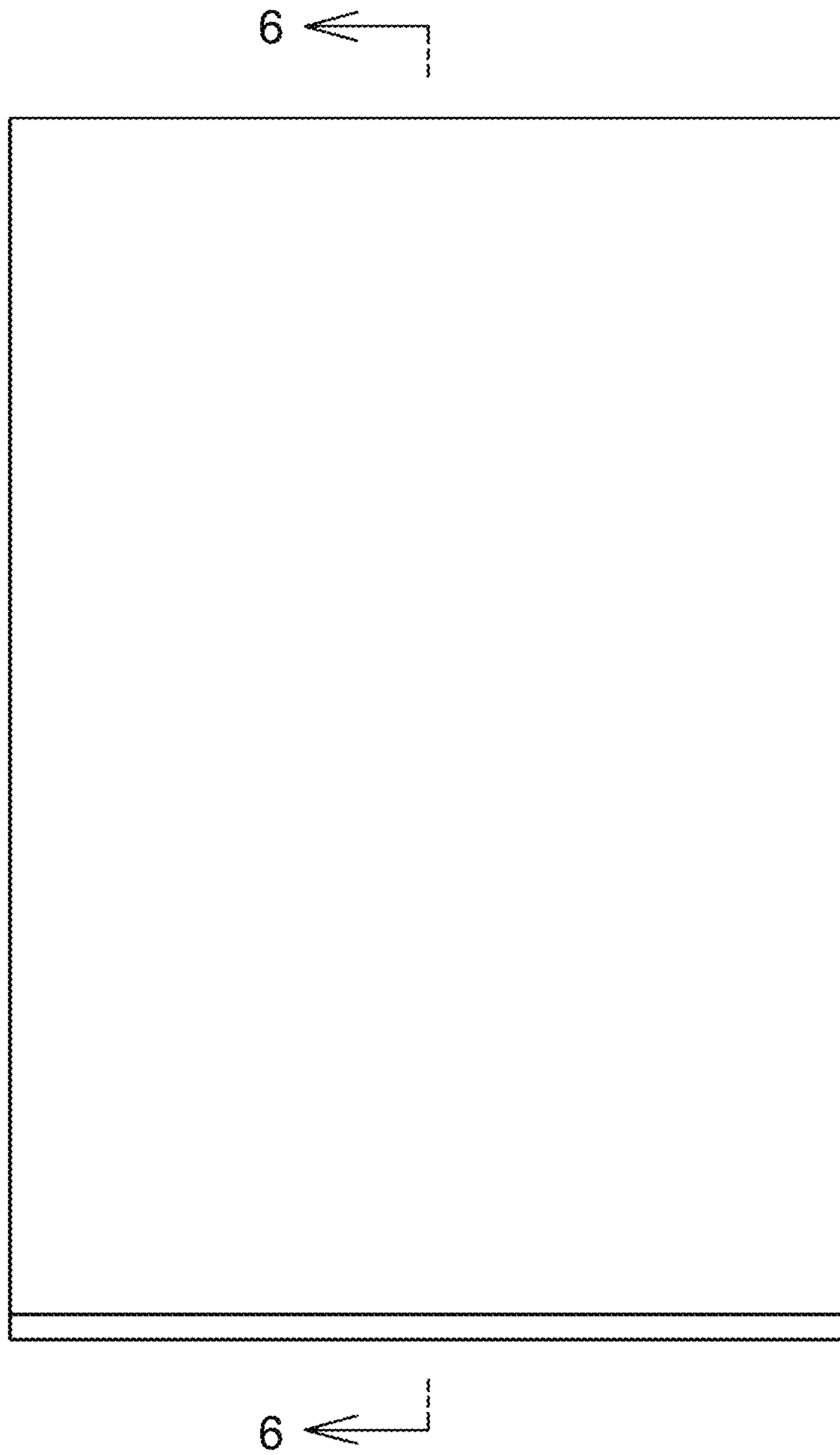


FIG. 2

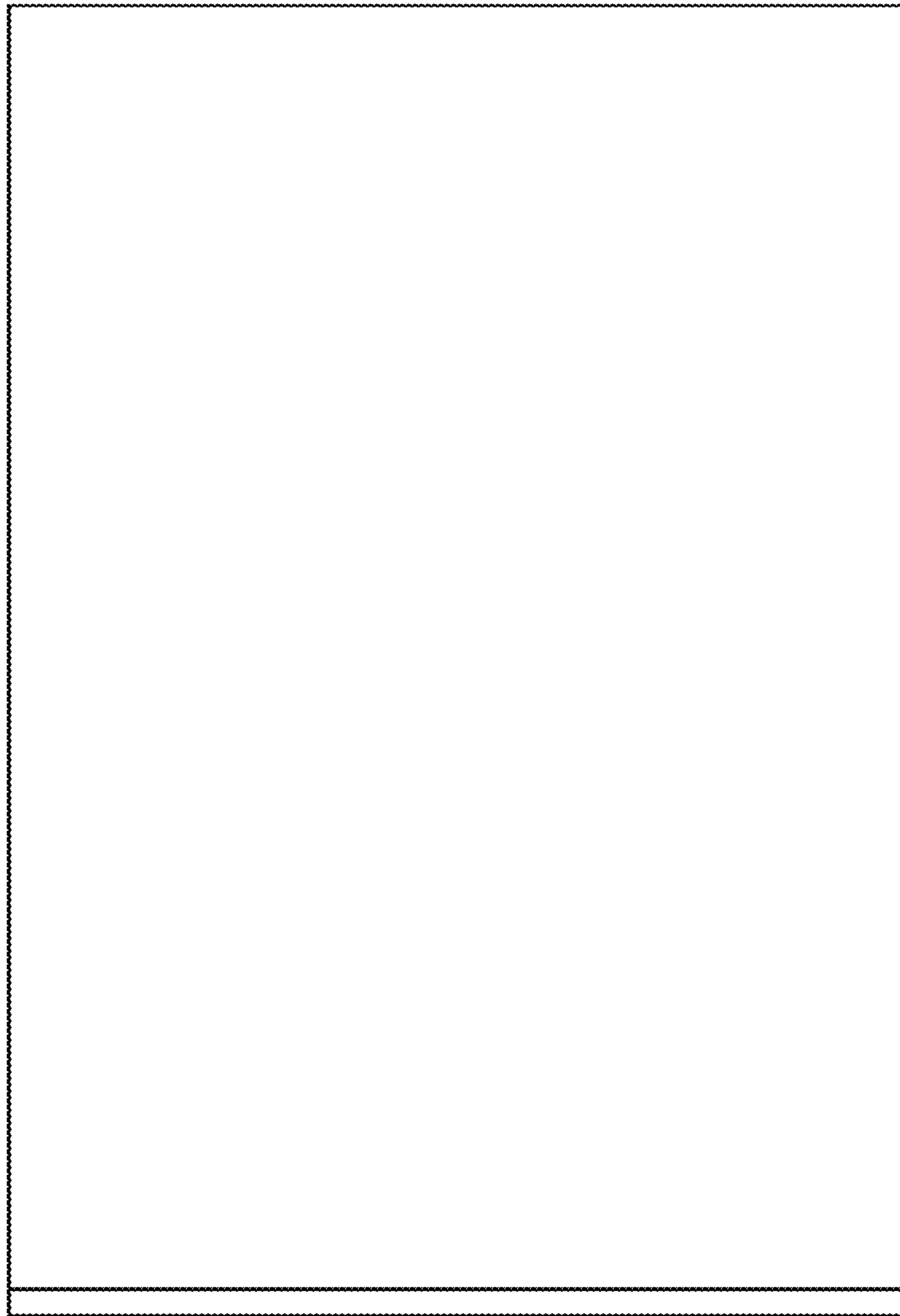


FIG. 3

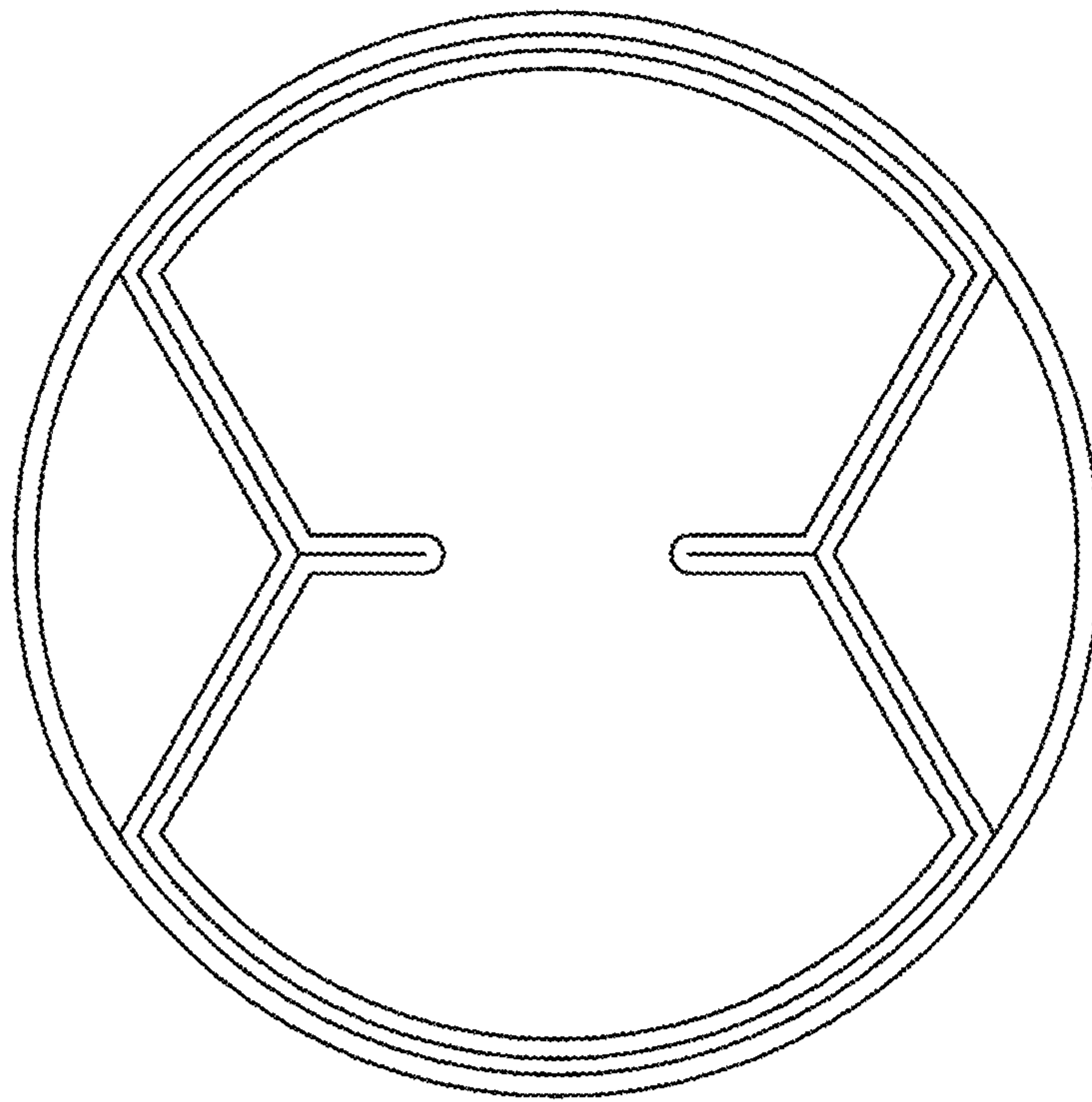
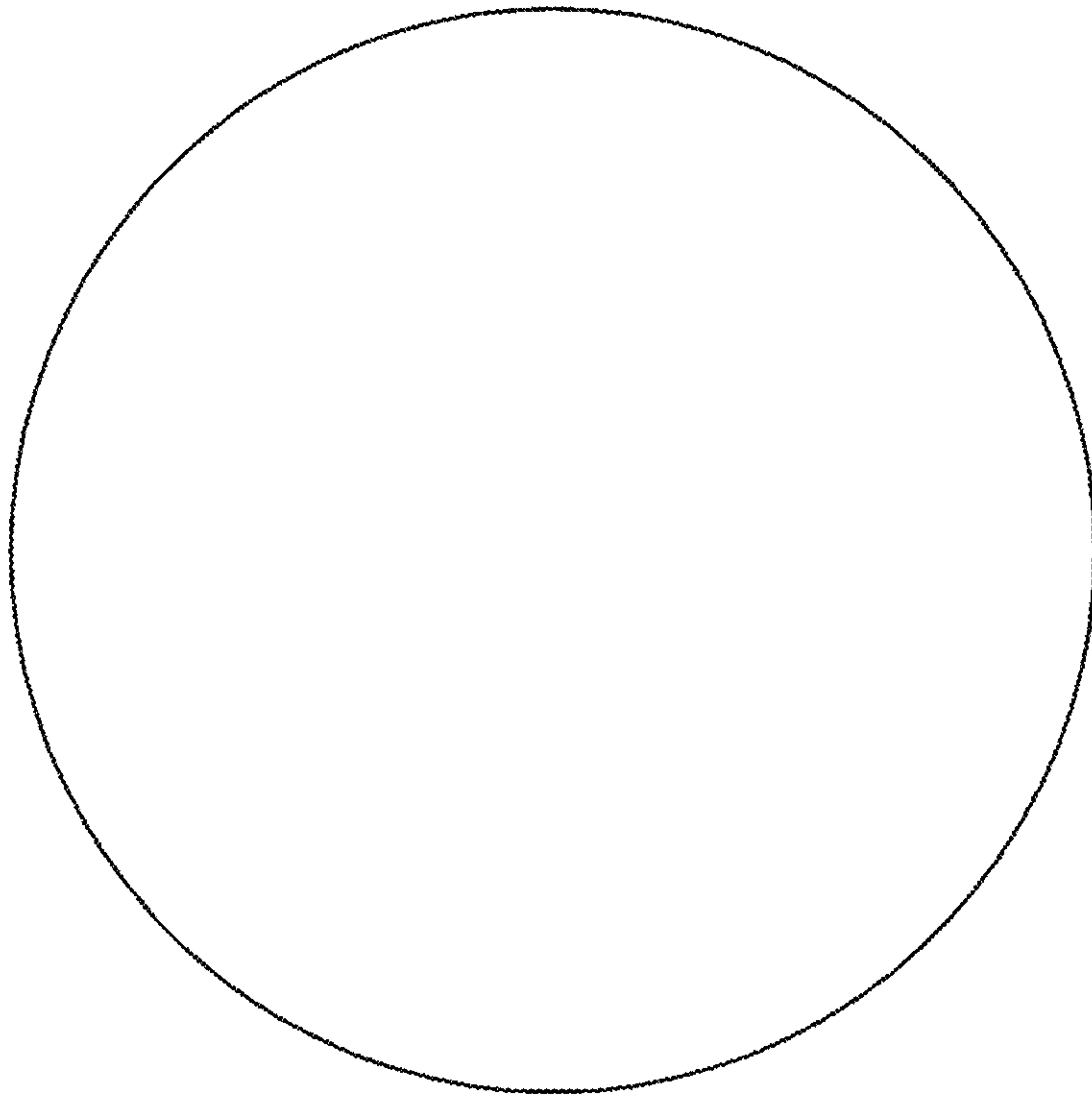


FIG. 4



**FIG. 5**

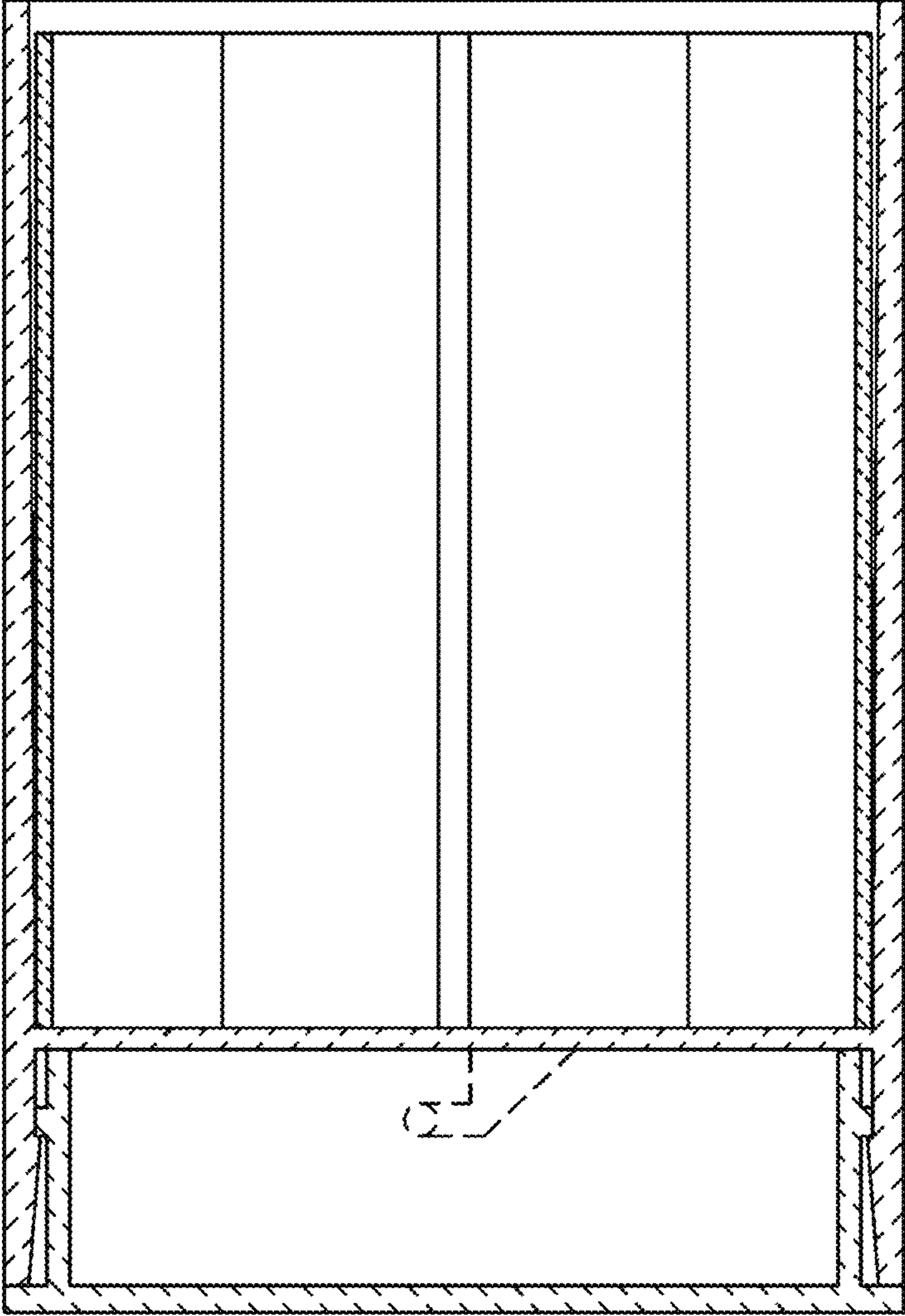


FIG. 6



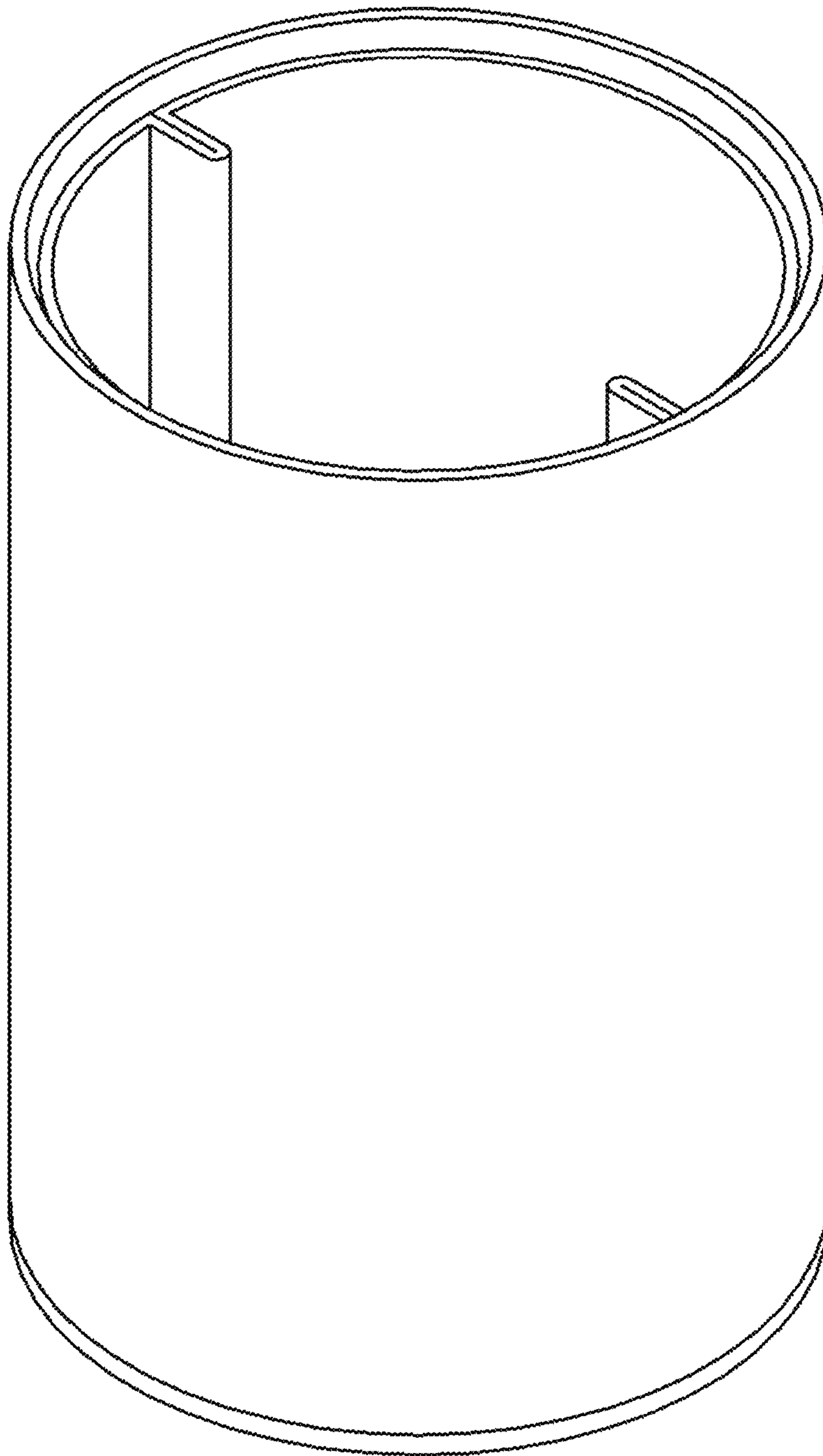


FIG. 7



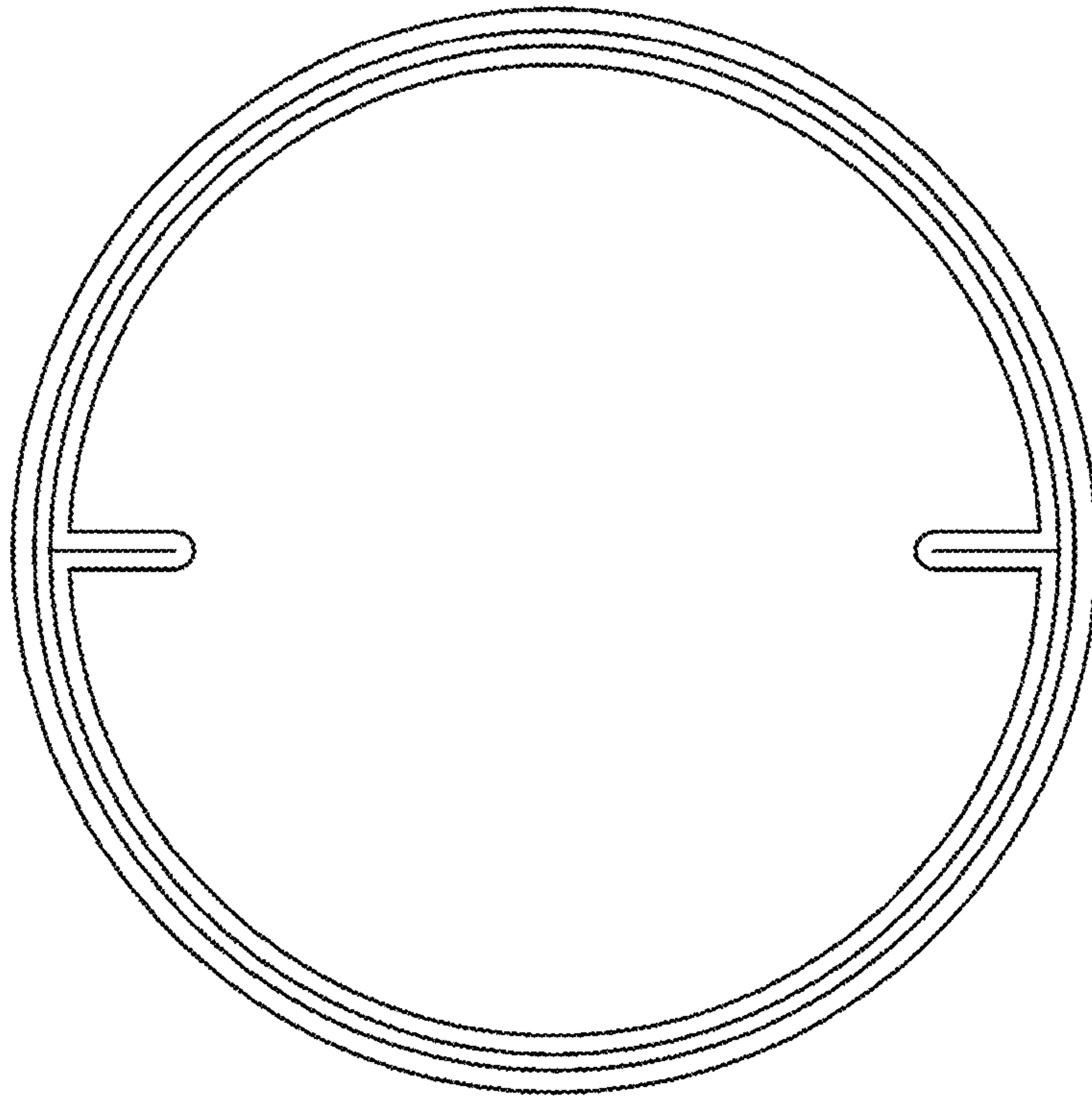


FIG. 8

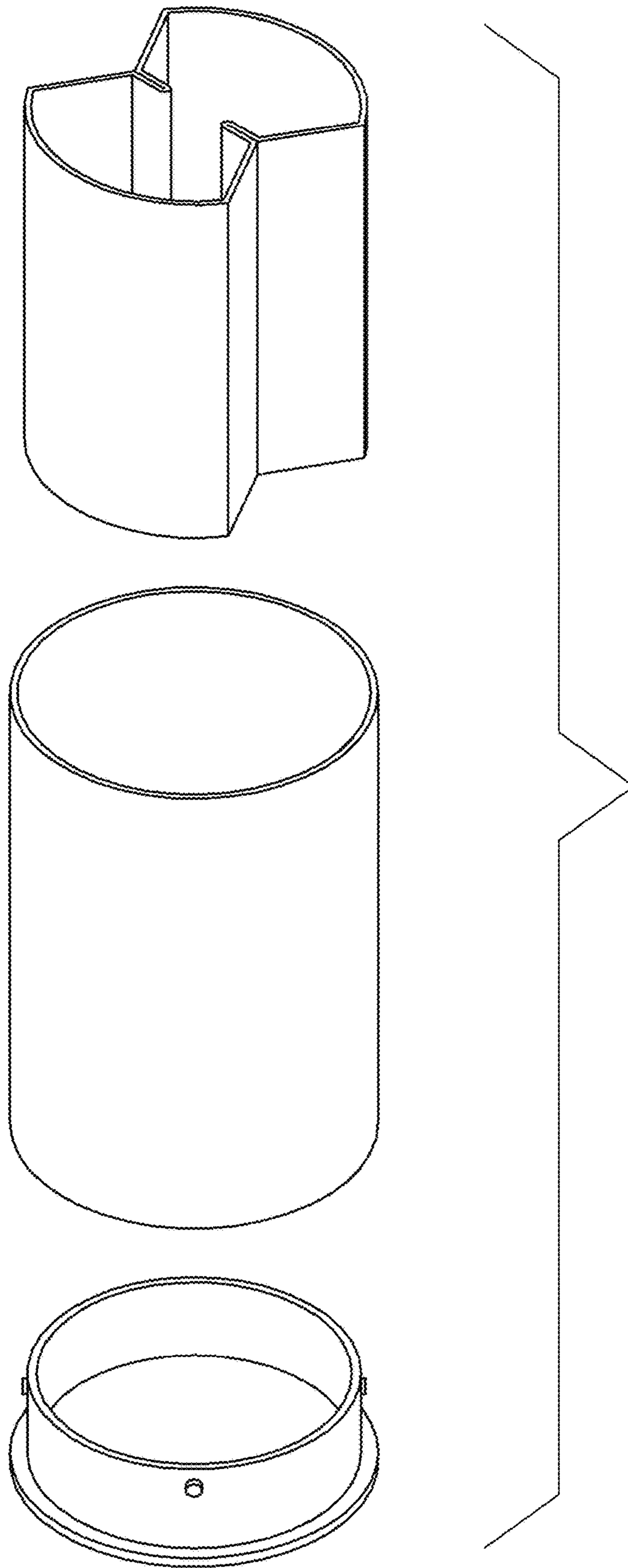


FIG. 9

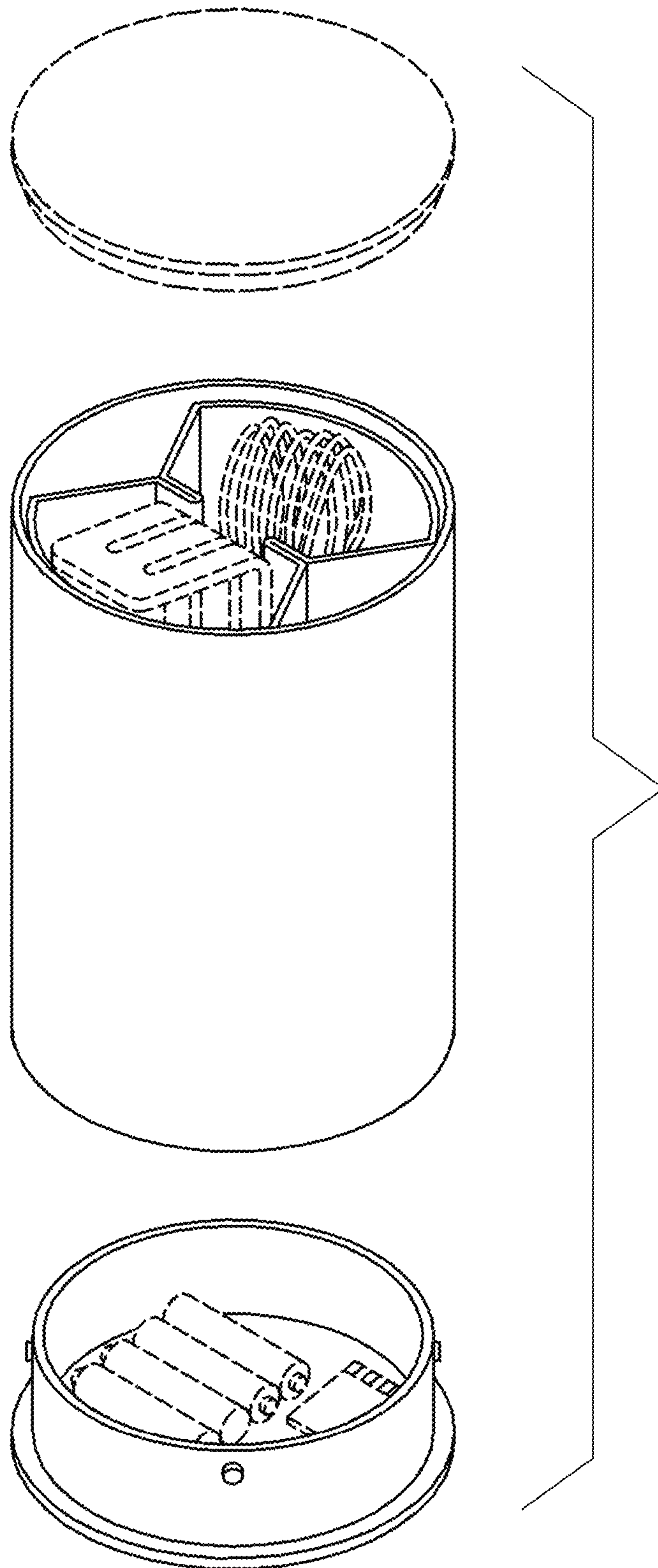


FIG. 10