



US00D892483S

(12) **United States Design Patent** (10) **Patent No.:** **US D892,483 S**  
**Lv** (45) **Date of Patent:** **\*\* Aug. 11, 2020**

(54) **SHOE SOLE**  
(71) Applicant: **Jianchao Lv**, Quanzhou (CN)  
(72) Inventor: **Jianchao Lv**, Quanzhou (CN)  
(\*\*) Term: **15 Years**  
(21) Appl. No.: **29/658,223**  
(22) Filed: **Jul. 30, 2018**  
(51) **LOC (12) Cl.** ..... **02-04**  
(52) **U.S. Cl.**  
USPC ..... **D2/960; D2/947; D2/951; D2/953**  
(58) **Field of Classification Search**  
USPC ..... D2/902, 906, 908, 916, 918, 925,  
D2/946-962, 977; 36/3 B, 22 R, 24.5,  
36/25 R, 28, 32 R, 34 R, 59 C, 67 A, 103  
CPC ..... A43B 13/00; A43B 13/02; A43B 13/023;  
A43B 13/026; A43B 13/04; A43B 13/08;  
A43B 13/10; A43B 13/12; A43B 13/14;  
A43B 13/141; A43B 13/43; A43B 13/16;  
A43B 13/18; A43B 13/181; A43B  
13/887; A43B 13/189; A43B 13/20; A43B  
13/22; A43B 13/223; A43B 13/24; A43B  
13/28; A43B 13/30; A43B 13/32; A43B  
13/34; A43B 13/36  
See application file for complete search history.

(56) **References Cited**  
U.S. PATENT DOCUMENTS  
D299,887 S \* 2/1989 Diaz ..... D2/953  
D427,759 S \* 7/2000 Hlavacs ..... D2/972  
D492,840 S \* 7/2004 Hearn ..... D2/908  
D500,914 S \* 1/2005 Ammon ..... D2/947  
D502,594 S \* 3/2005 Belley ..... D2/951  
D507,695 S \* 7/2005 McClaskie ..... D2/953  
D564,184 S \* 3/2008 Issler ..... D2/896  
D572,884 S \* 7/2008 Belley ..... D2/947  
D579,640 S \* 11/2008 Duffy ..... D2/947  
D724,829 S \* 3/2015 Lonigan ..... D2/951

D776,407 S \* 1/2017 Galway ..... D2/907  
D784,667 S \* 4/2017 Wright ..... D2/947  
D788,418 S \* 6/2017 Wright ..... A43C 1/06  
D2/953  
D798,556 S \* 10/2017 Sullivan ..... D2/947  
D798,560 S \* 10/2017 Galway ..... D2/953  
D803,532 S \* 11/2017 Scott ..... D2/953  
D805,279 S \* 12/2017 Odinot ..... D2/960  
D814,160 S \* 4/2018 Gibson ..... D2/960  
D821,078 S \* 6/2018 Galway ..... D2/960  
D824,646 S \* 8/2018 Sullivan ..... D2/960  
D839,562 S \* 2/2019 Lv ..... D2/916  
D839,569 S \* 2/2019 Petrie ..... D2/953  
D843,699 S \* 3/2019 Cin ..... D2/947  
D852,484 S \* 7/2019 Neumann ..... D2/960

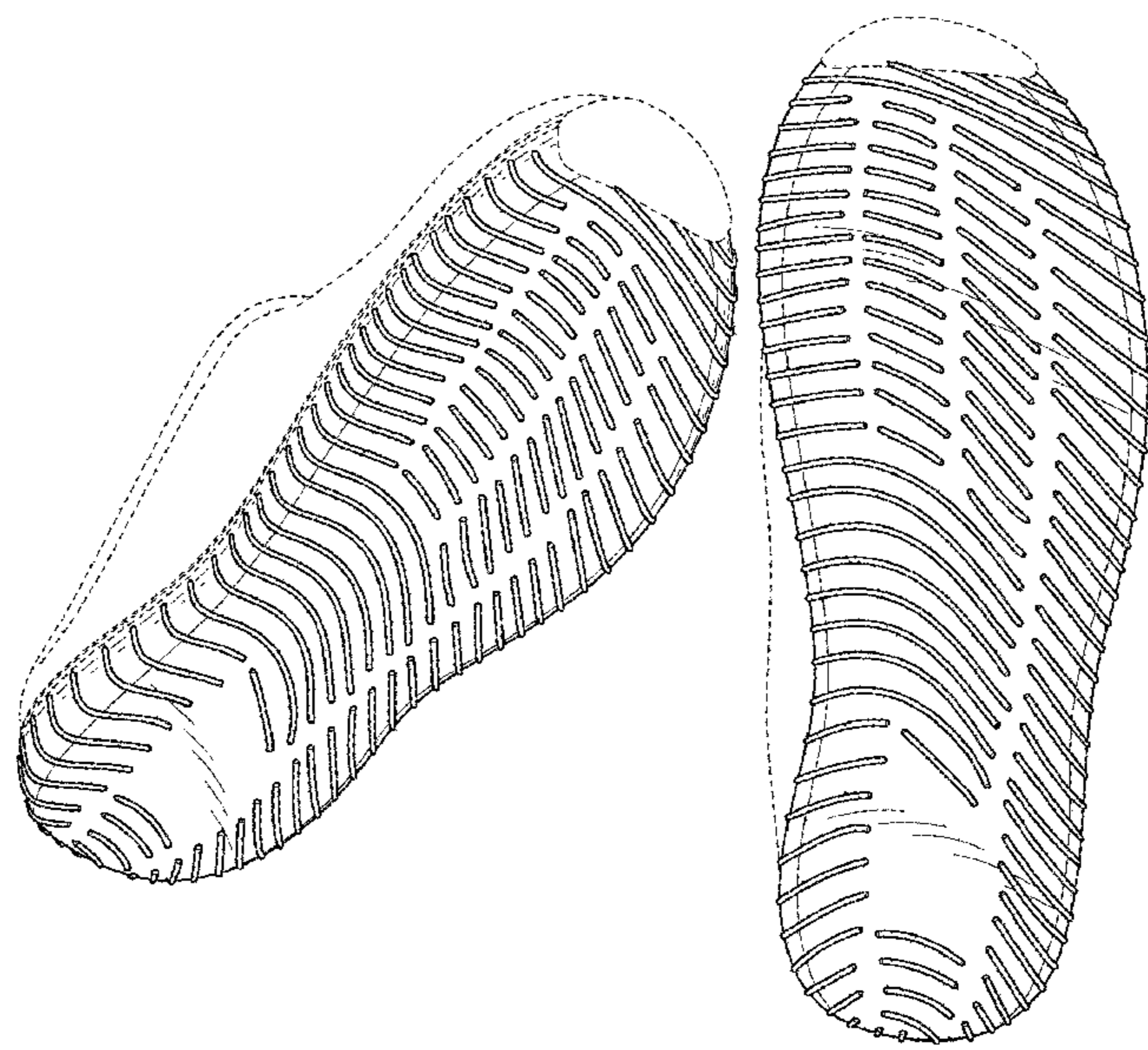
(Continued)

*Primary Examiner* — T Chase Nelson  
(74) *Attorney, Agent, or Firm* — Law Offices of Steven  
W. Weinrieb

(57) **CLAIM**  
The ornamental design for a shoe sole, as shown and  
described.

**DESCRIPTION**  
FIG. 1 is a front, left side, top perspective view of the shoe  
sole showing my new design;  
FIG. 2 is a right side, bottom perspective view thereof;  
FIG. 3 is a front elevational view thereof; and  
FIG. 4 is a rear elevational view thereof.  
FIG. 5 is a right side elevational view thereof;  
FIG. 6 is a left side elevational view thereof;  
FIG. 7 is a top plan view thereof; and,  
FIG. 8 is a bottom plan view thereof.  
The broken lines upon the shoe sole show portions of the  
article that form no part of the claimed design. The broken  
line edges immediately adjacent the claimed surfaces also  
represent the bounds of the claimed design while all other  
broken lines are directed to environment. All of the broken  
lines form no part of the claimed design.

**1 Claim, 8 Drawing Sheets**



(56)

**References Cited**

U.S. PATENT DOCUMENTS

D858,056 S *	9/2019	Tæstensen .....	D2/951
D858,058 S *	9/2019	McMillan .....	D2/953
D858,059 S *	9/2019	McMillan .....	D2/953
D862,859 S *	10/2019	Gerig .....	D2/960
D862,860 S *	10/2019	Sokol .....	D2/960
D862,867 S *	10/2019	Galway .....	D2/969
D871,036 S *	12/2019	Amago .....	D2/953
D872,444 S *	1/2020	Parker .....	D2/960
2011/0094125 A1 *	4/2011	Weightman .....	A43B 3/0068 36/102
2013/0118031 A1 *	5/2013	Chenciner .....	A43C 1/06 36/88

\* cited by examiner

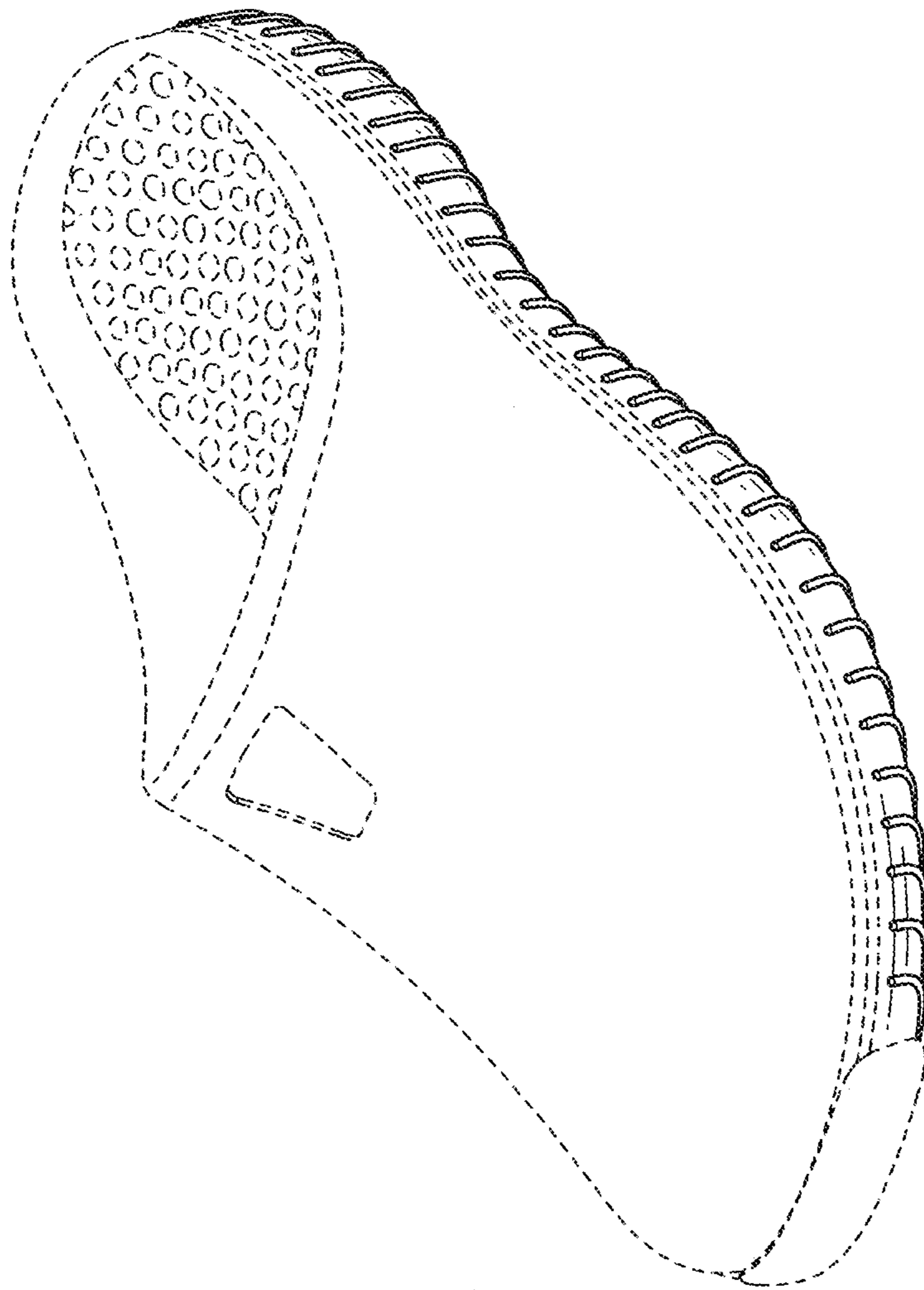


FIG. 1



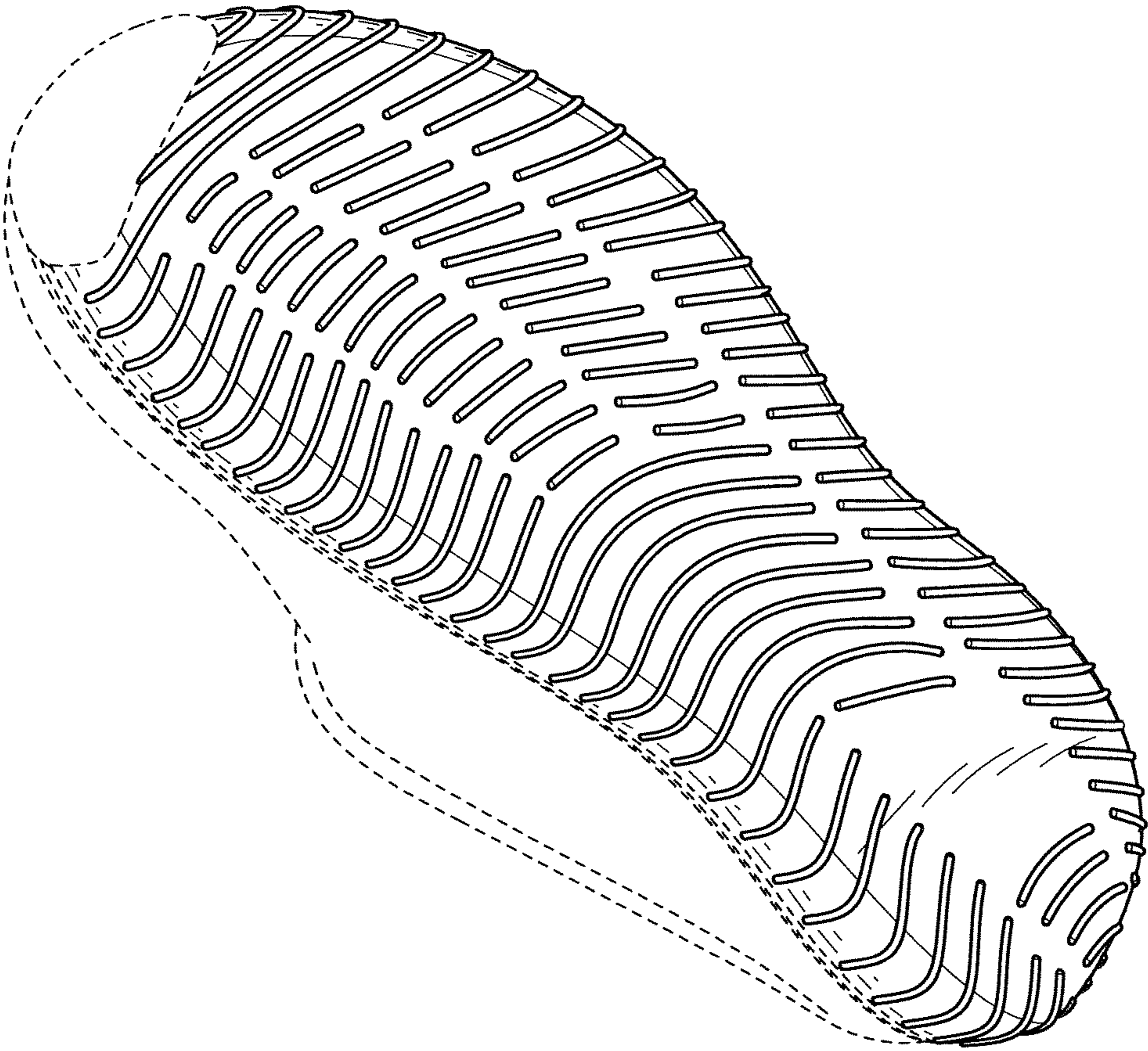


FIG. 2

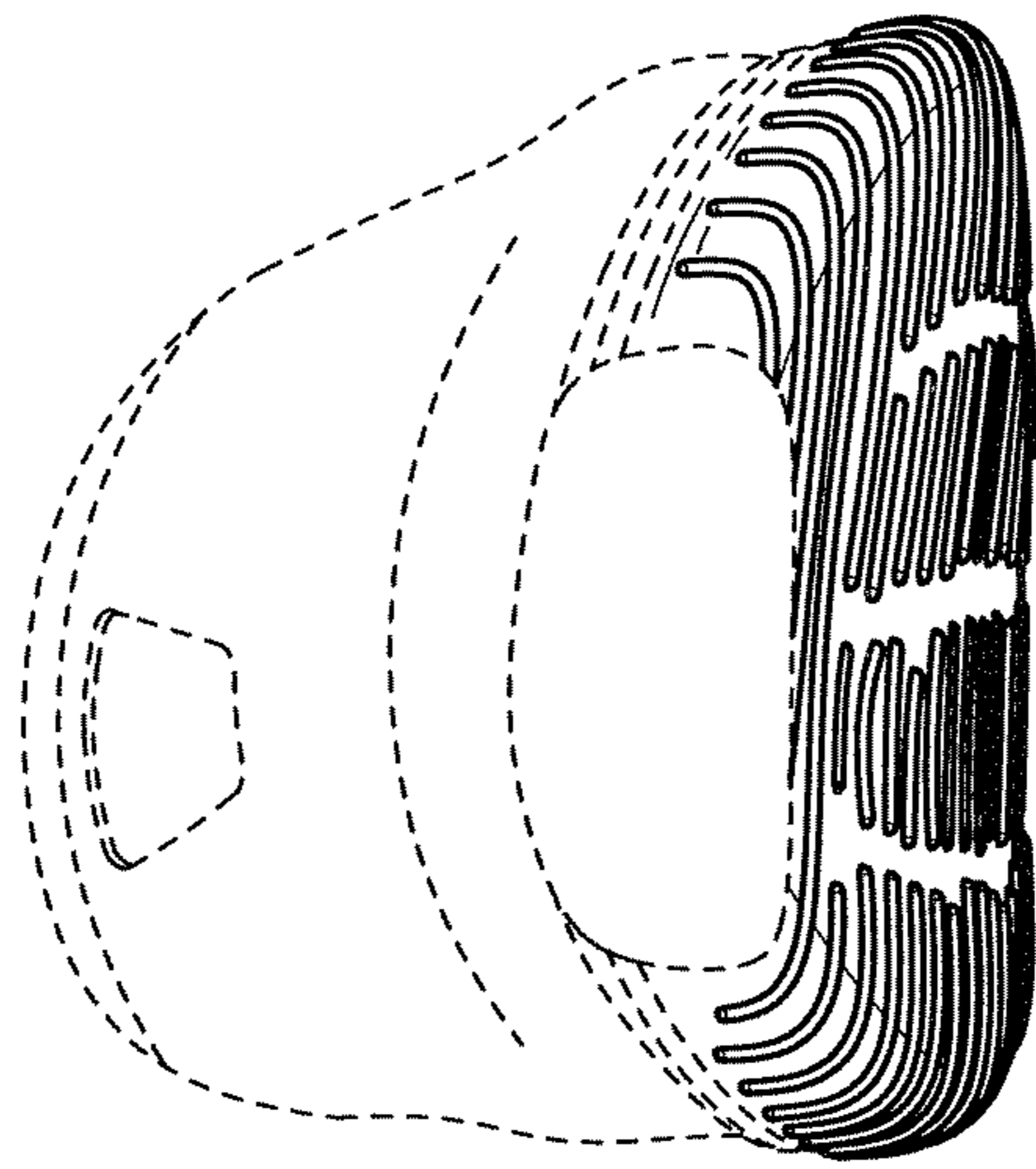


FIG. 3

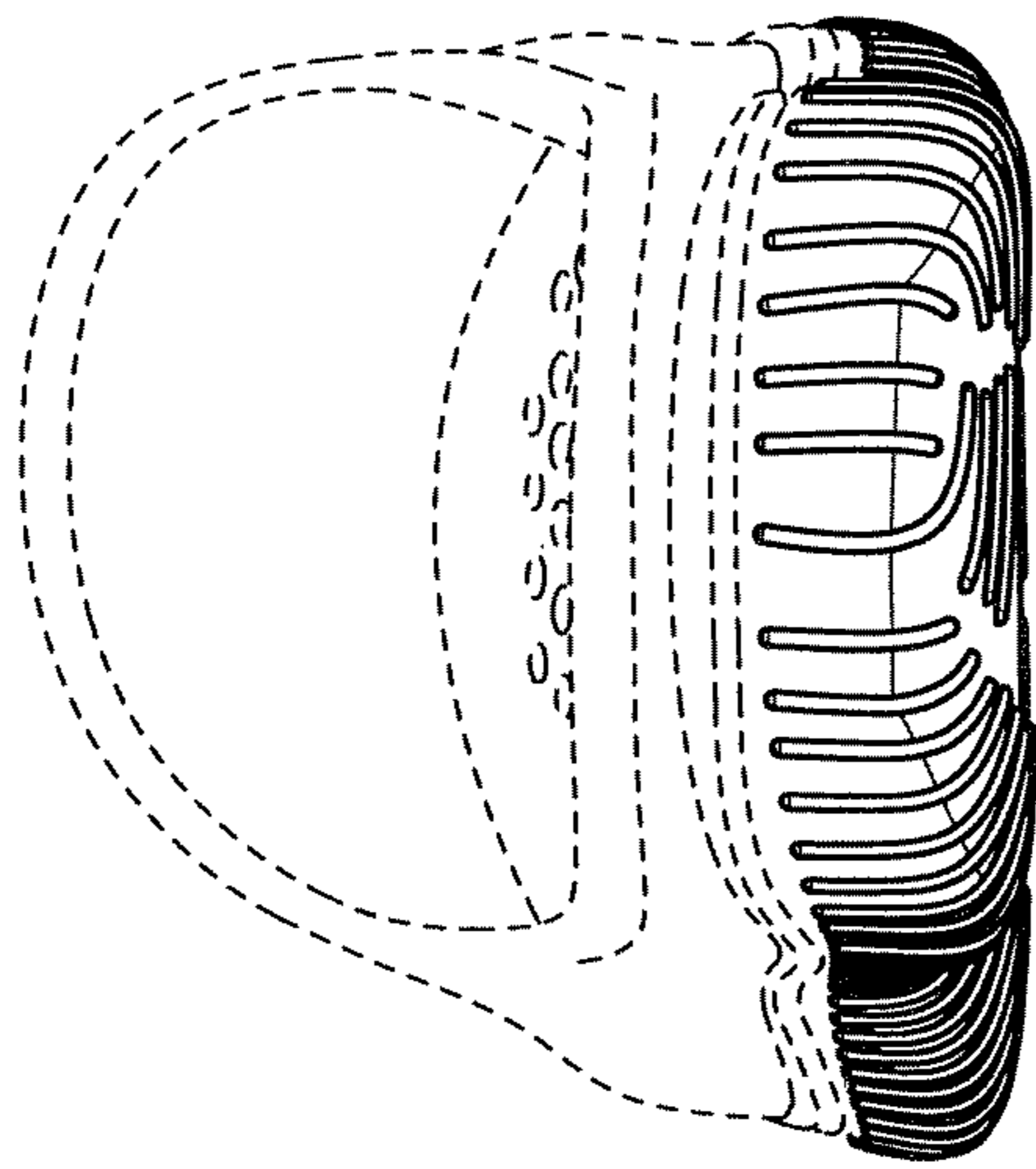


FIG. 4

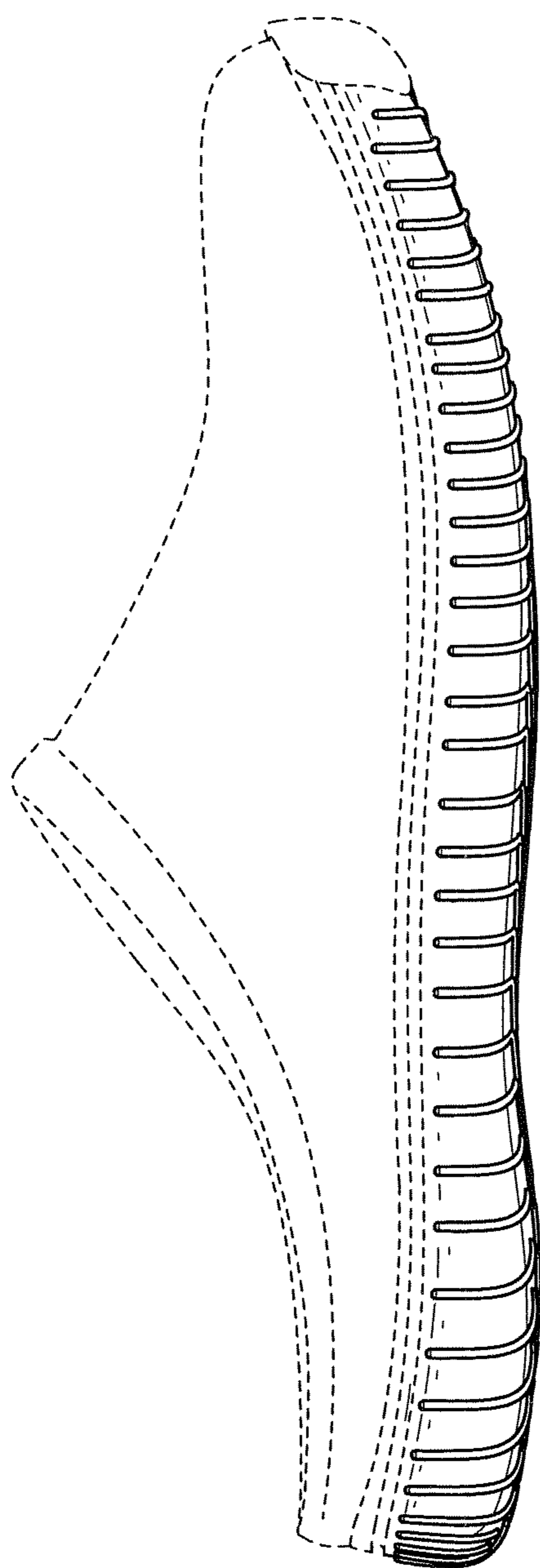


FIG. 5

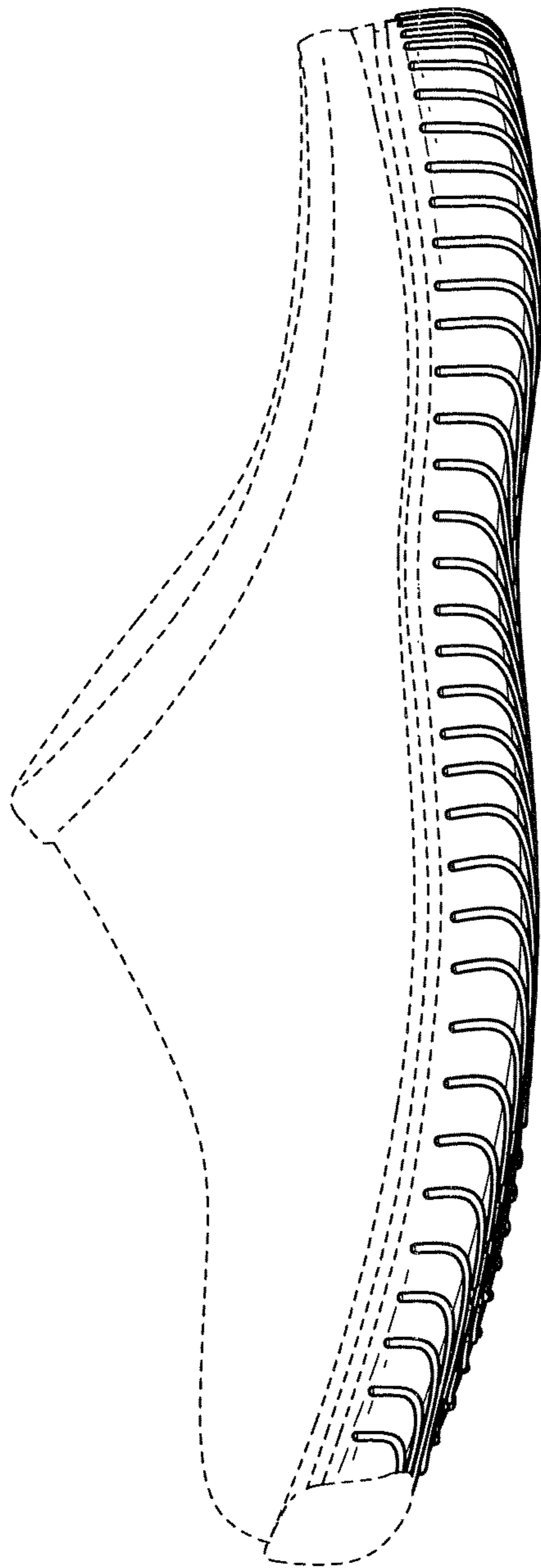


FIG. 6



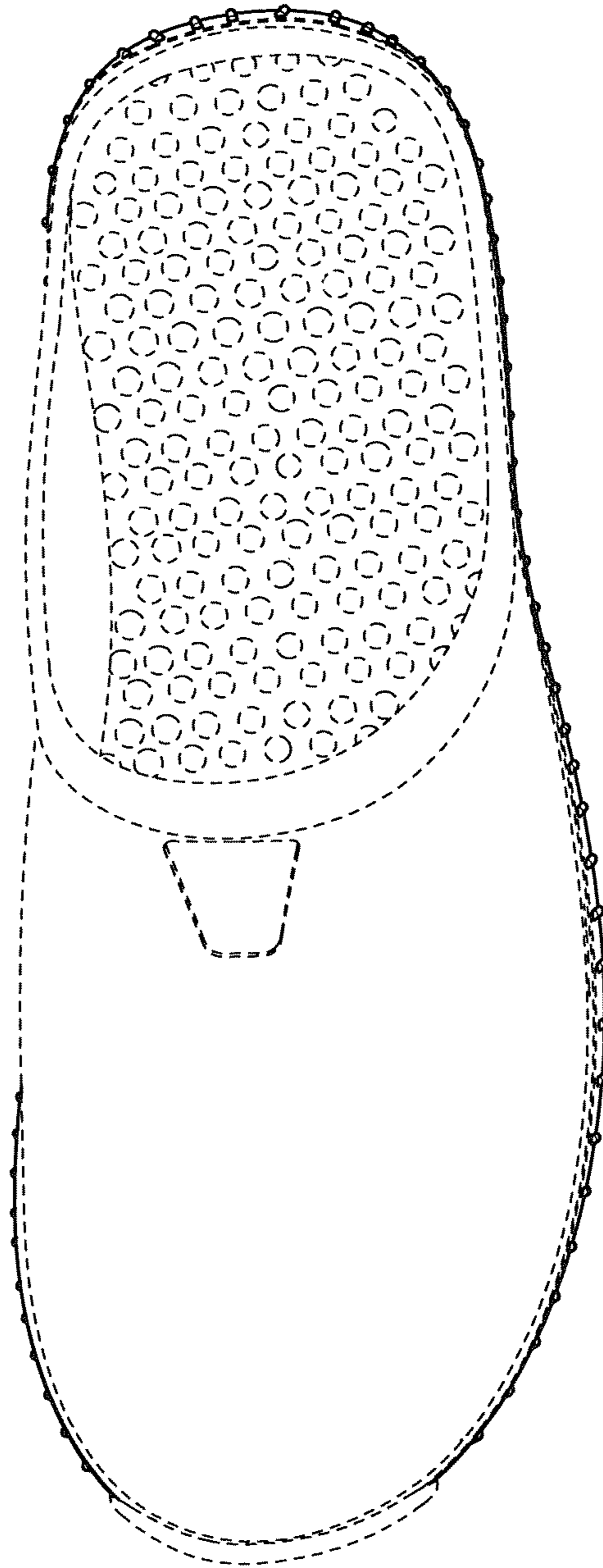


FIG. 7

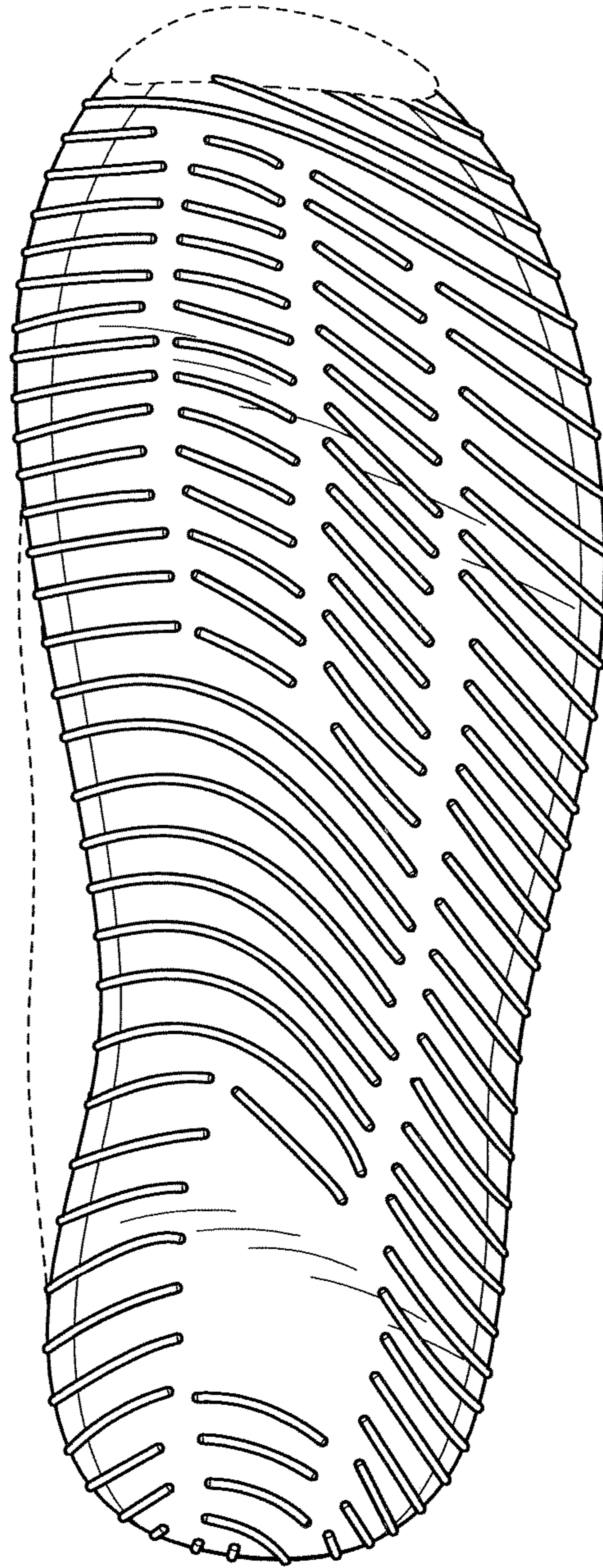


FIG. 8