



US00D892474S

(12) **United States Design Patent**
Jackson

(10) **Patent No.:** **US D892,474 S**

(45) **Date of Patent:** **** Aug. 11, 2020**

(54) **HEADWEAR CLIP**

(71) Applicant: **Walter Jackson**, Littleton, CO (US)

(72) Inventor: **Walter Jackson**, Littleton, CO (US)

(**) Term: **15 Years**

(21) Appl. No.: **29/625,546**

(22) Filed: **Nov. 10, 2017**

(51) **LOC (12) Cl.** **02-03**

(52) **U.S. Cl.**
USPC **D2/895**

(58) **Field of Classification Search**
USPC D2/865, 866, 872, 875, 876, 877, 878,
D2/879, 880, 881, 882, 883, 884, 885,
D2/886, 887, 888, 891, 893, 895;
D6/315, 323, 325, 328; D8/38;
D11/200, 201, 204, 207, 214, 215, 222
CPC .. A42B 1/00; A42B 1/004; A42B 1/24; A42B
3/04; A44B 9/00; A44B 9/02; A44B 9/04;
A44B 9/06; A45F 5/06

See application file for complete search history.

(56) **References Cited**

U.S. PATENT DOCUMENTS

D407,537 S * 4/1999 Simpson D2/865
D492,351 S * 6/2004 Sato D19/34
D574,614 S * 8/2008 Sanders D3/247
7,866,813 B2 * 1/2011 Anhalt G02C 3/02
2/209.13

7,954,943 B2 * 6/2011 Ledford G02C 3/02
24/3.12
D729,502 S * 5/2015 Aldridge D2/895
D757,403 S * 5/2016 Skinner D2/895
D761,001 S * 7/2016 Kouns D2/895
D770,147 S * 11/2016 Byrd D2/891
2014/0315661 A1 * 10/2014 Brown A63B 57/203
473/409

* cited by examiner

Primary Examiner — Jasmine Mlinarcik

(74) *Attorney, Agent, or Firm* — Fennemore Craig, P.C.

(57) **CLAIM**

The ornamental design for a headwear clip, as shown and described.

DESCRIPTION

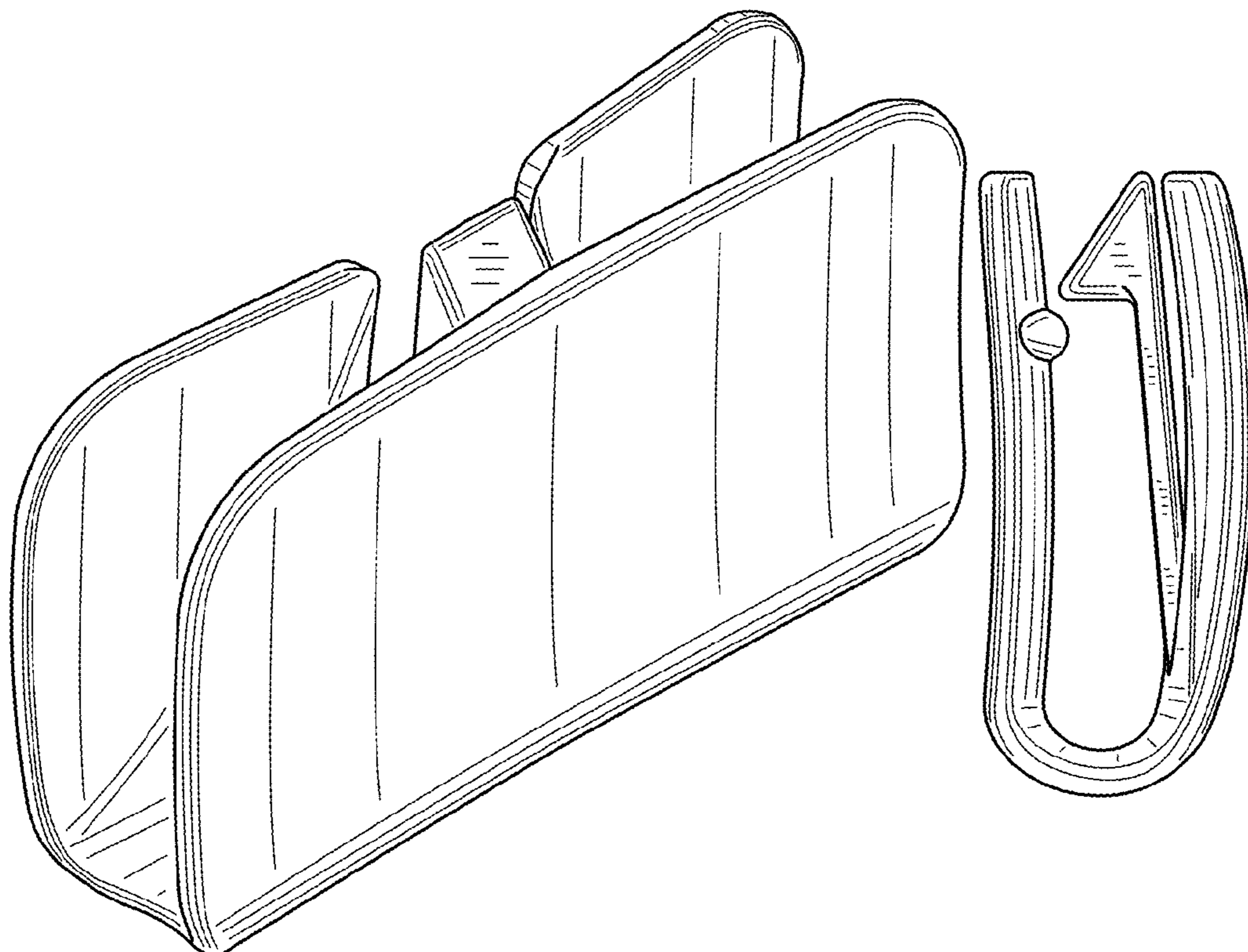
FIG. 1 is a perspective view of a headwear clip in accordance with my new design.

FIG. 2 is a front view of the headwear clip shown in FIG. 1; FIG. 3 is a rear view of the headwear clip shown in FIG. 1; FIG. 4 is a side view of the headwear clip shown in FIG. 1; FIG. 5 is a top view of the headwear clip shown in FIG. 1; and,

FIG. 6 is a bottom view of the headwear clip shown in FIG. 1.

Broken lines shown in the drawings illustrate portions of the headwear clip which form no part of the claimed design.

1 Claim, 4 Drawing Sheets



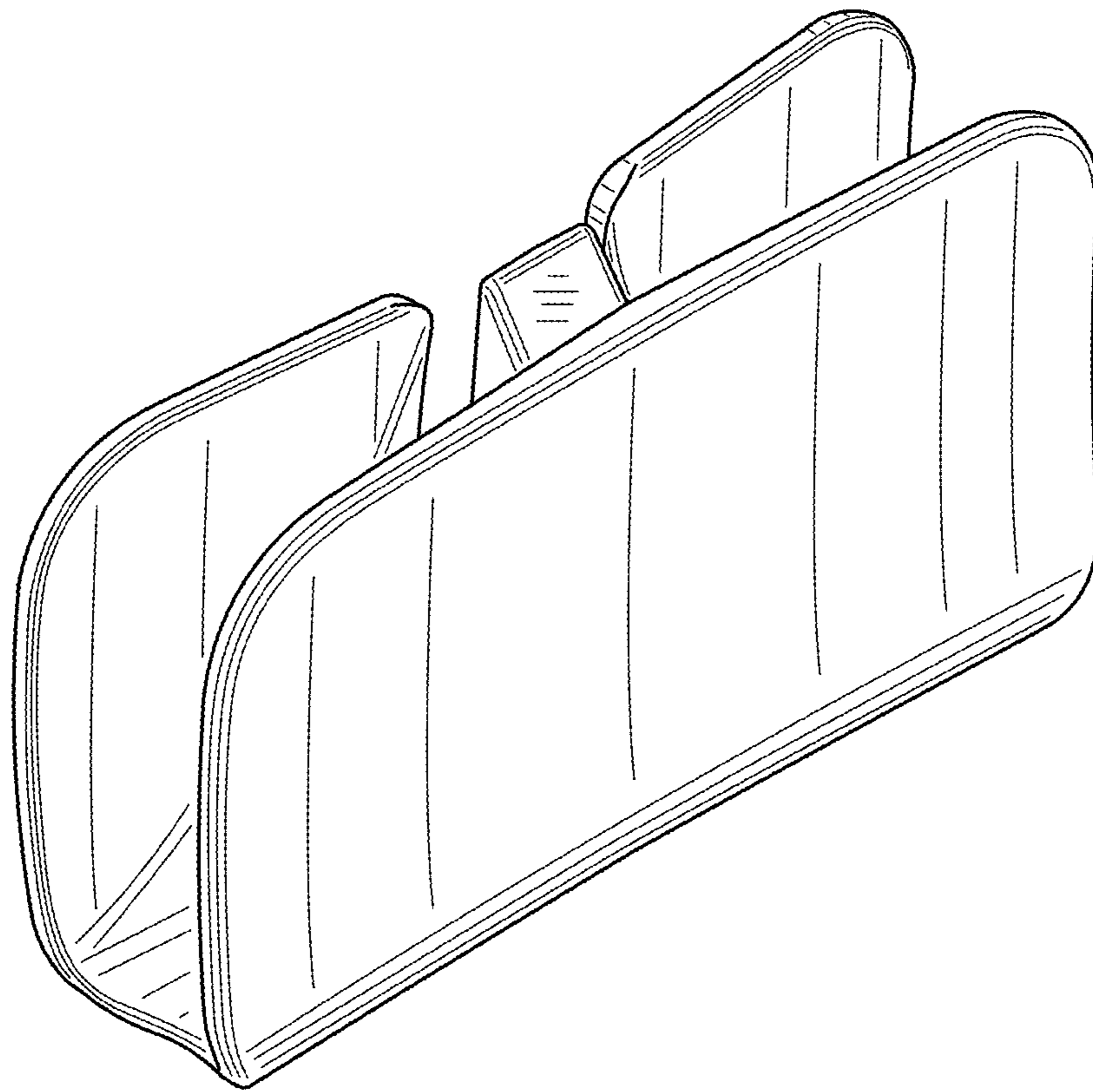


FIG.1

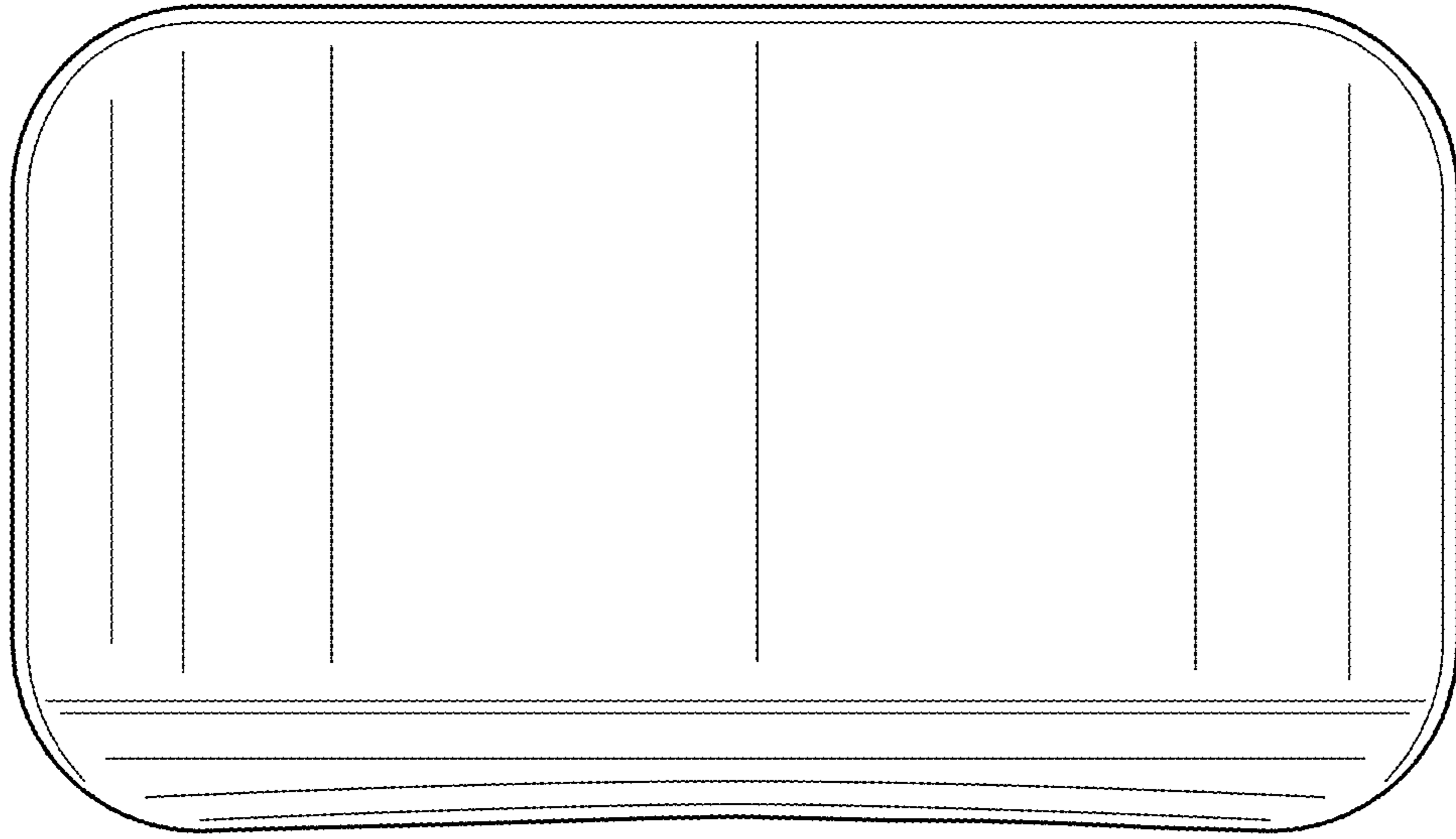


FIG. 2

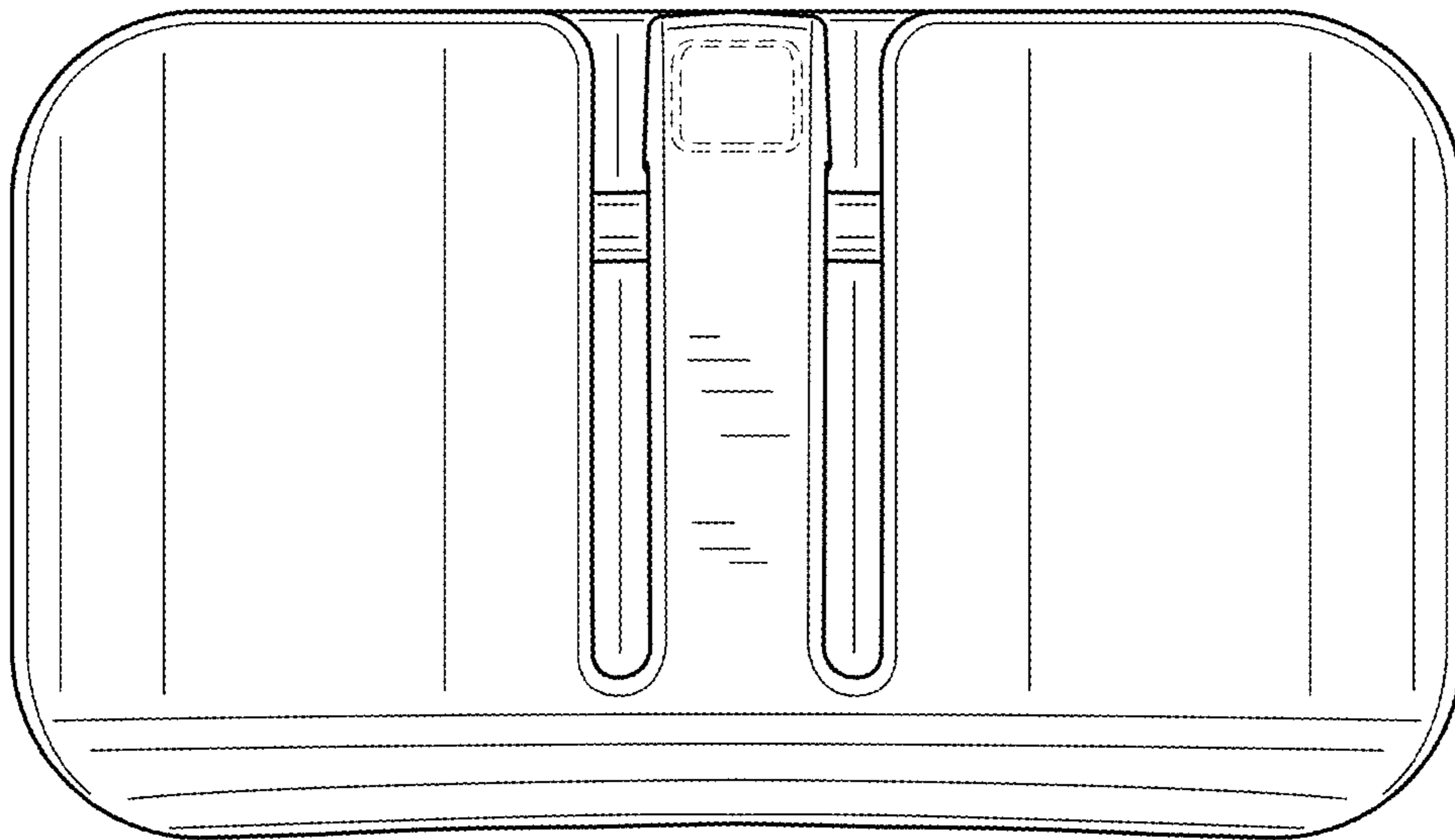


FIG. 3

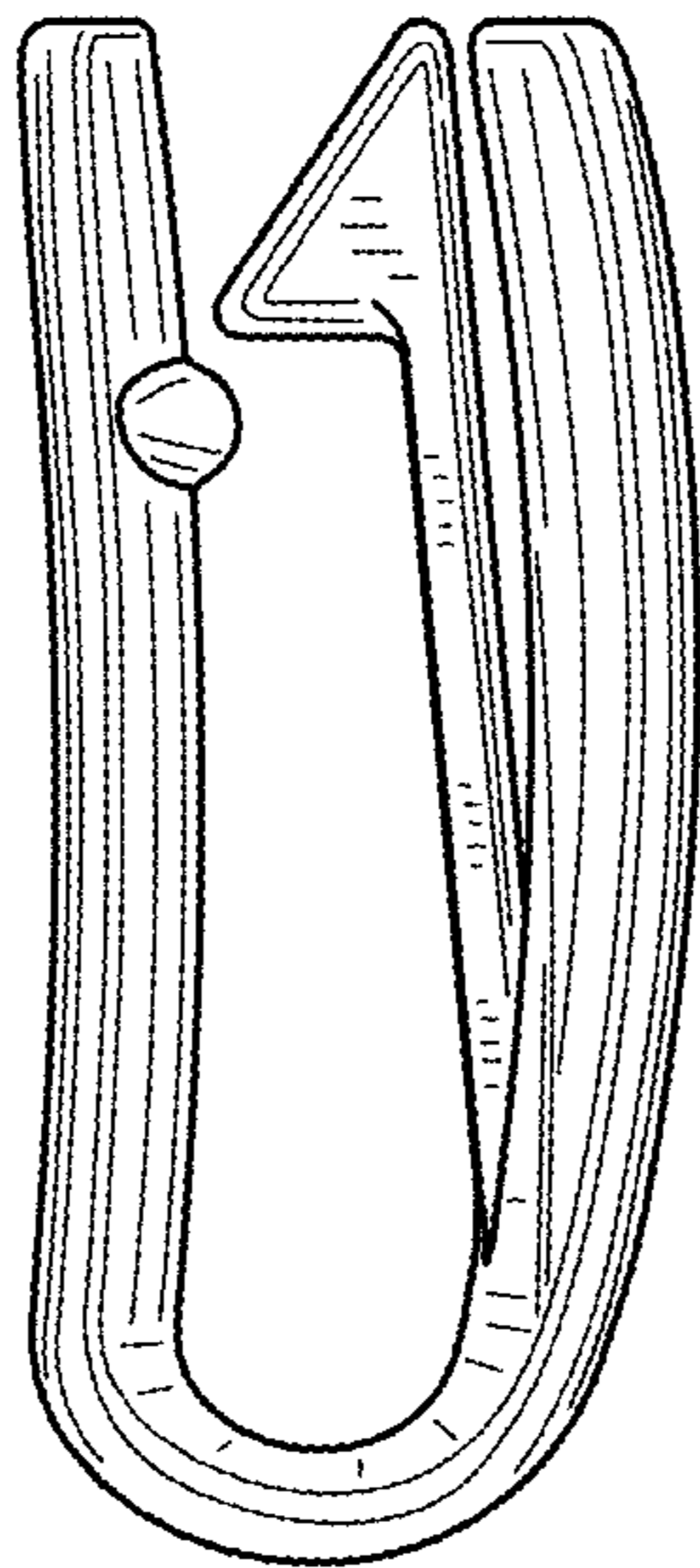


FIG.4

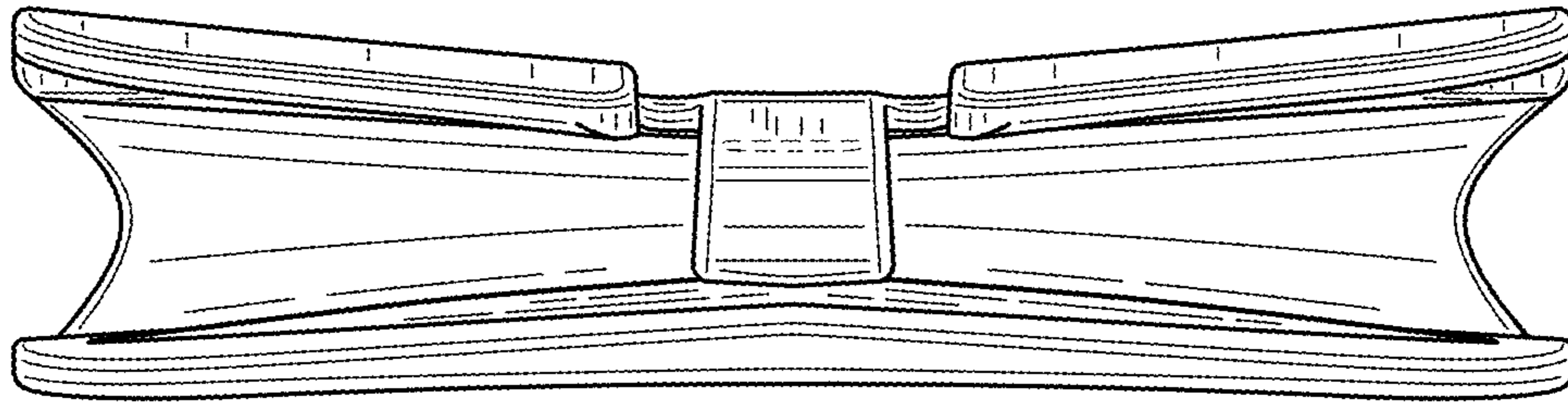


FIG. 5

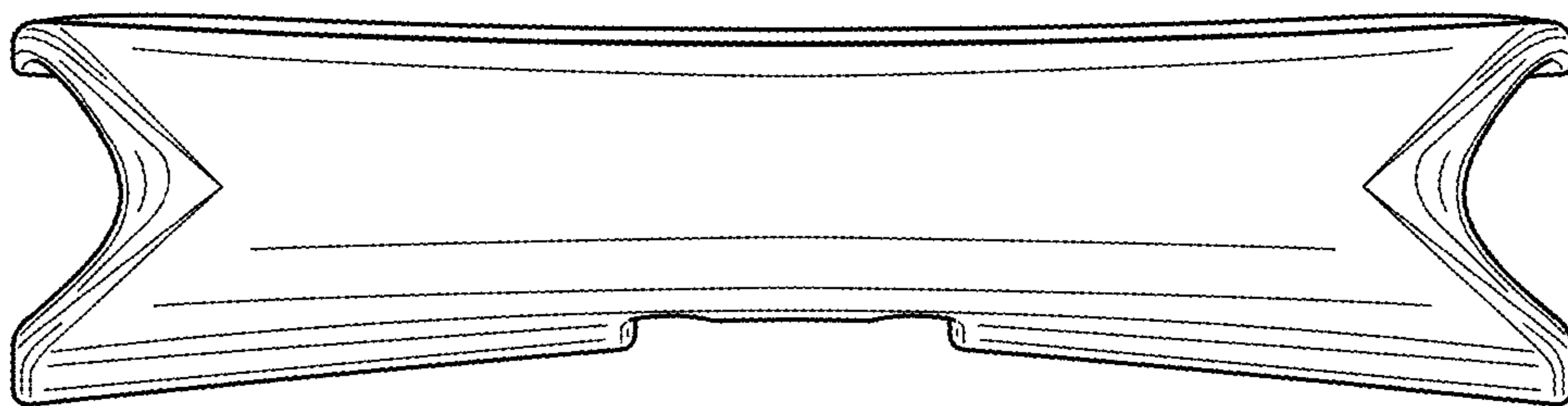


FIG. 6