



US00D892473S

(12) **United States Design Patent**
Rollins

(10) **Patent No.:** **US D892,473 S**

(45) **Date of Patent:** **** Aug. 11, 2020**

(54) **HEADWEAR CLIP**

(71) Applicant: **Jerry Rollins**, Vacaville, CA (US)

(72) Inventor: **Jerry Rollins**, Vacaville, CA (US)

(**) Term: **15 Years**

(21) Appl. No.: **29/607,913**

(22) Filed: **Jun. 16, 2017**

(51) **LOC (12) Cl.** **02-03**

(52) **U.S. Cl.**
USPC **D2/895**

(58) **Field of Classification Search**
USPC D2/865, 866, 869, 872, 873, 882, 891,
D2/895; D29/102, 104, 106, 122, 129,
D29/110
CPC .. A42B 1/00; A42B 1/004; A42B 1/22; A42B
1/24; A42B 3/00; A42B 3/04; A42B
3/0406; A42B 3/003; A42B 3/20; A63B
71/10

See application file for complete search history.

(56) **References Cited**

U.S. PATENT DOCUMENTS

D338,544 S *	8/1993	Scheinbaum	D2/882
D483,375 S *	12/2003	Denney	D14/440
7,036,151 B2 *	5/2006	Ide	A42B 3/08 2/425
7,954,943 B2 *	6/2011	Ledford	G02C 3/02 24/3.12
8,813,269 B2 *	8/2014	Bologna	A42B 3/20 2/425
8,819,871 B2 *	9/2014	Maddux	A42B 3/20 2/424
D718,002 S *	11/2014	Littrell, Jr.	D29/106
9,066,550 B2 *	6/2015	Erb	A42B 3/08

D735,449 S *	8/2015	Perna	D2/891
9,131,744 B2 *	9/2015	Erb	A42B 3/124
D774,283 S	12/2016	Rollins		
D801,642 S *	11/2017	Johnson	D2/866
D814,472 S *	4/2018	Lee	D14/434
2013/0180034 A1 *	7/2013	Preisler	A42B 3/127 2/414

* cited by examiner

Primary Examiner — Jasmine Mlinarcik

(74) *Attorney, Agent, or Firm* — QuickPatents, LLC;
Kevin Prince

(57) **CLAIM**

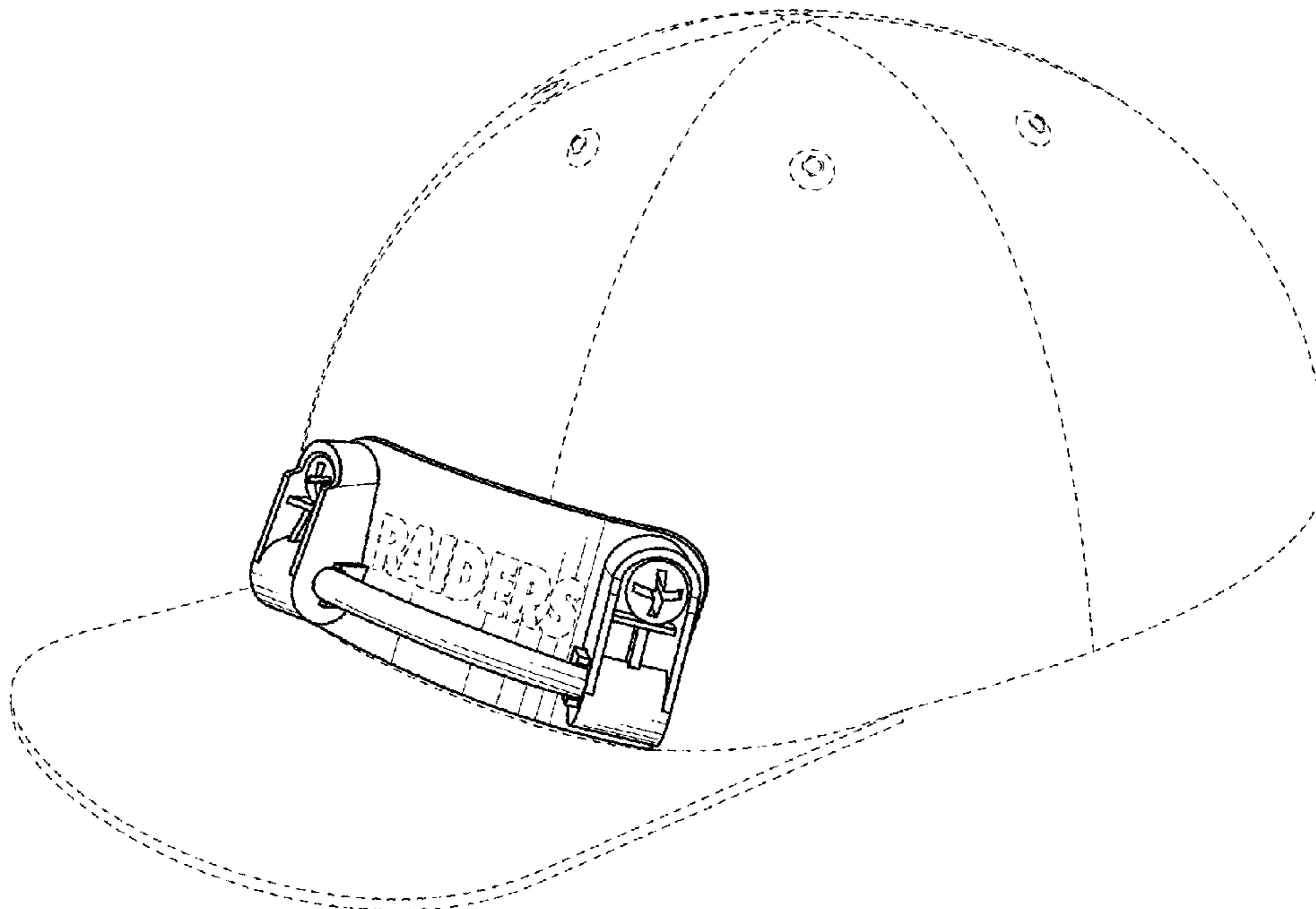
I claim the ornamental design for a headwear clip, as shown and described.

DESCRIPTION

FIG. 1 is a perspective view of a headwear clip, showing my new design as it may appear in a position of use;
FIG. 2 is an exploded perspective view thereof;
FIG. 3 is a front elevational view of the headwear clip;
FIG. 4 is a rear elevational view thereof;
FIG. 5 is a left-side elevational view thereof;
FIG. 6 is a right-side elevational view thereof;
FIG. 7 is a top plan view thereof; and,
FIG. 8 is a bottom plan view thereof.

The broken line sports logo and hat shown in FIGS. 1 and 2 are environmental structure that forms no part of the claimed design. In FIG. 2 the broken lines enclosing circular elements in the article depict the boundaries of the claim and form no part thereof. All other broken lines illustrate portions of the headwear clip that form no part of the claimed design.

1 Claim, 5 Drawing Sheets



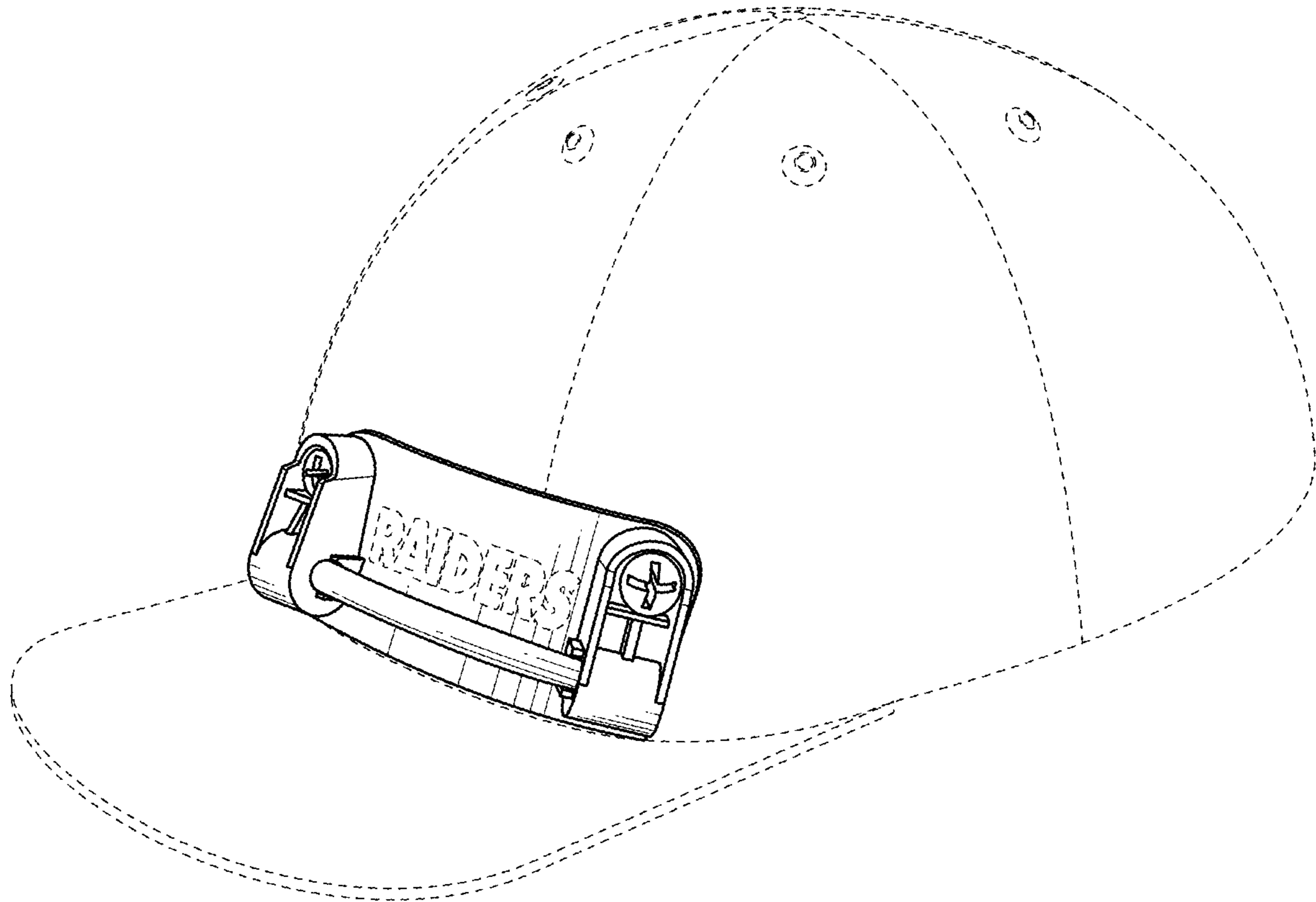


FIG. 1

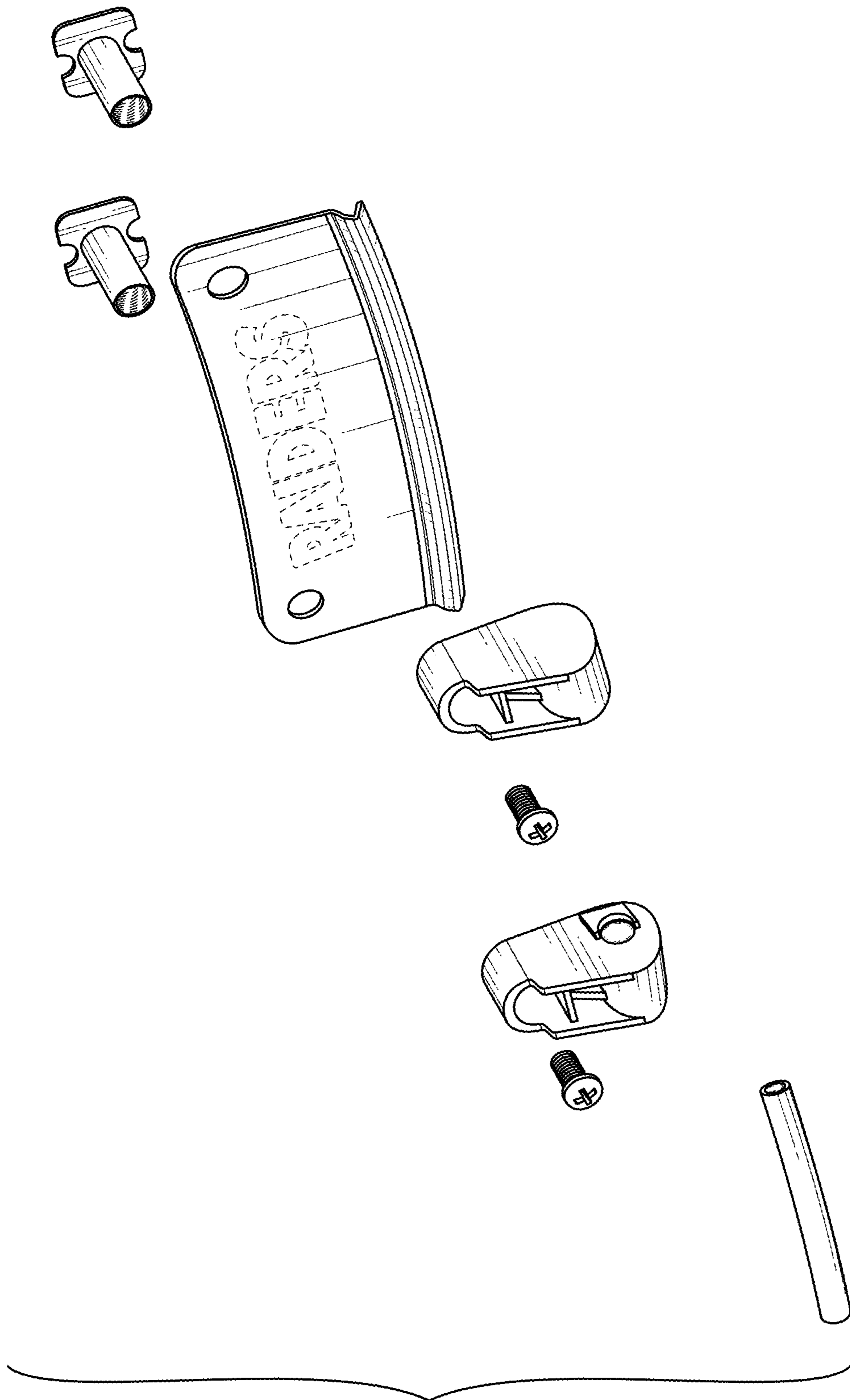


FIG. 2

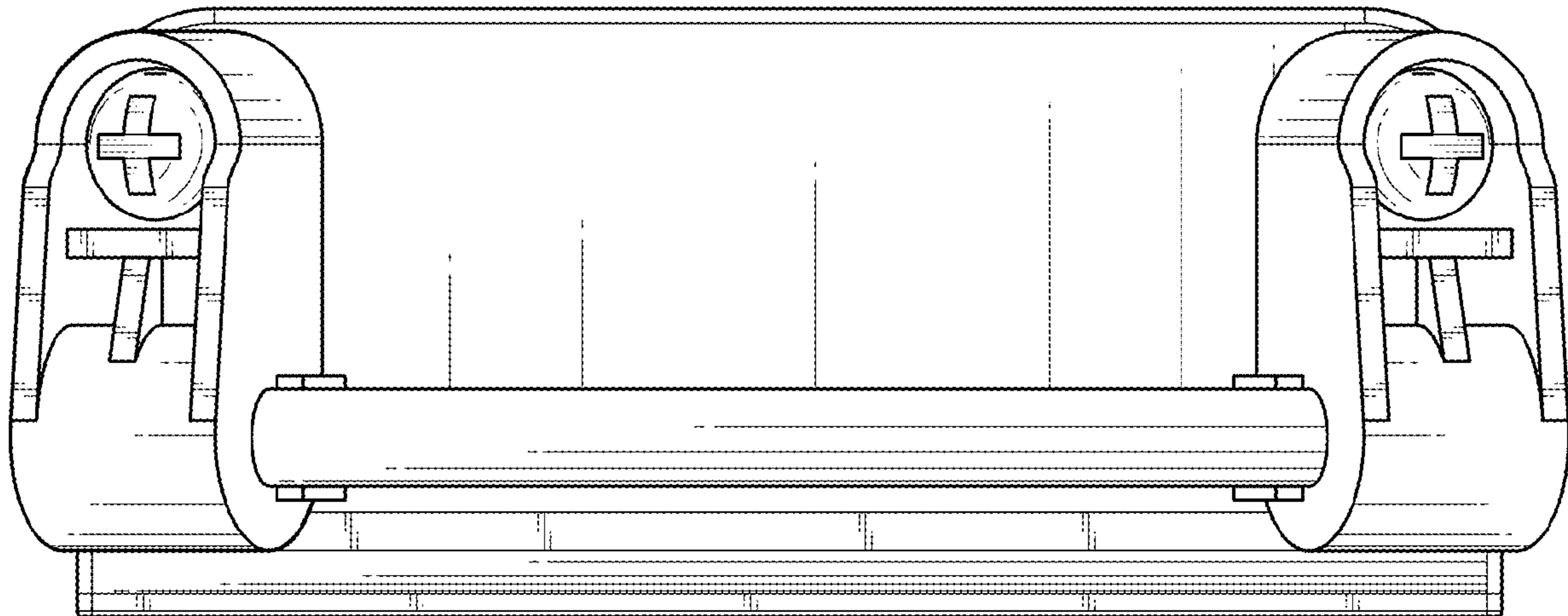


FIG. 3

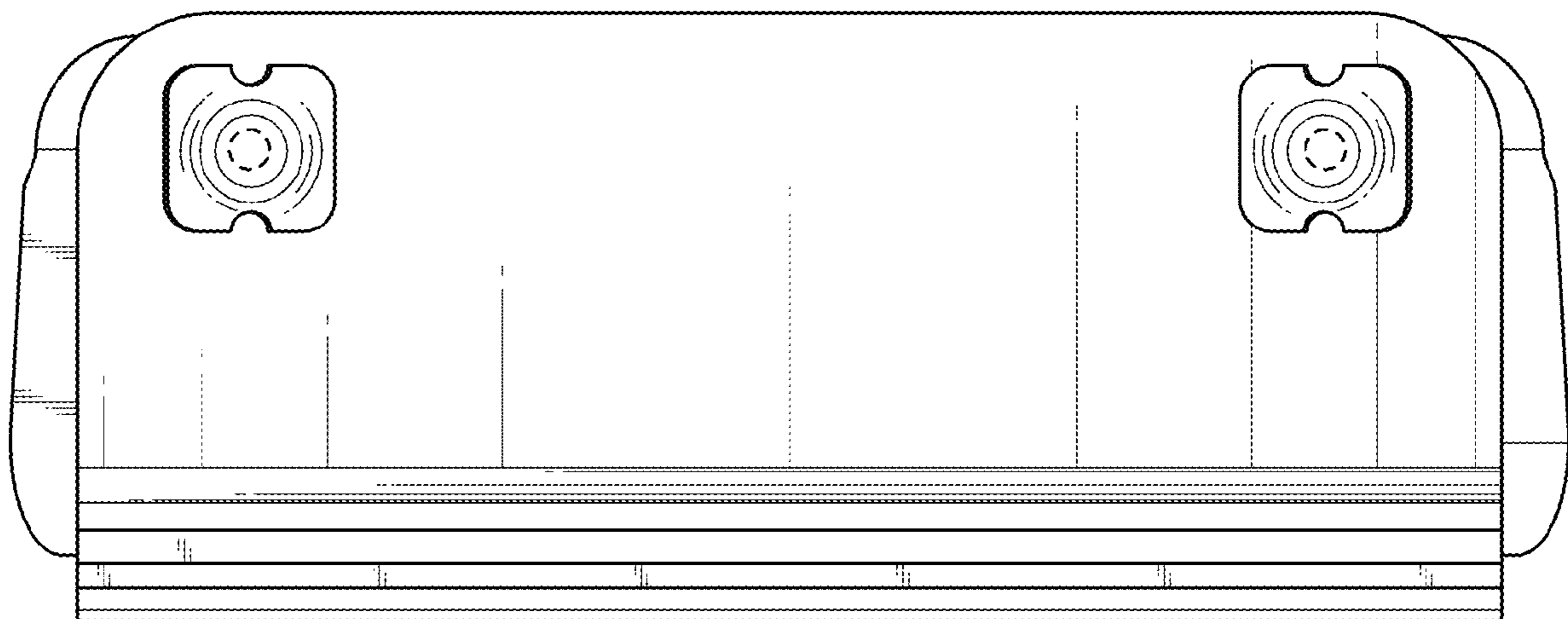


FIG. 4

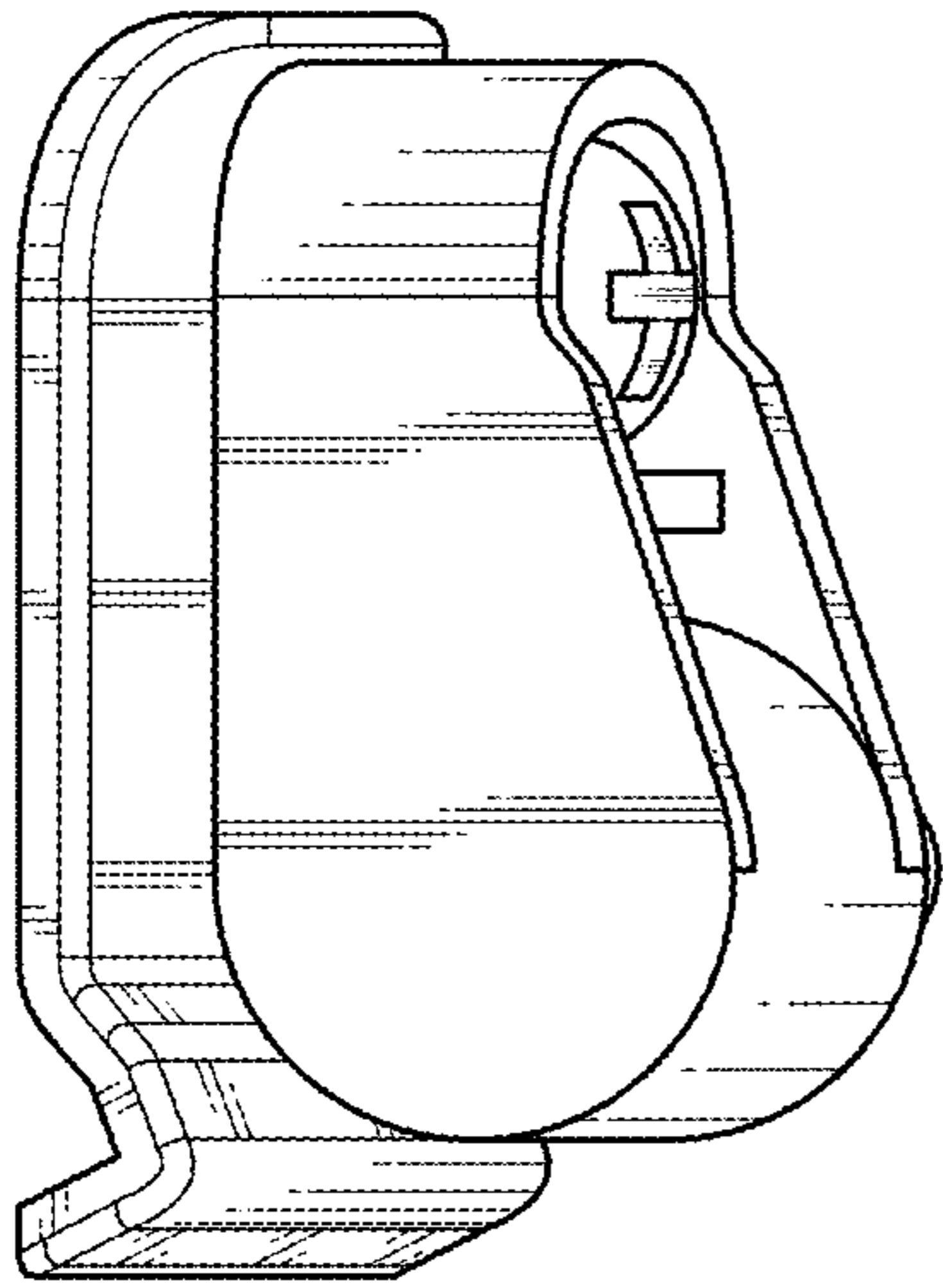


FIG. 5

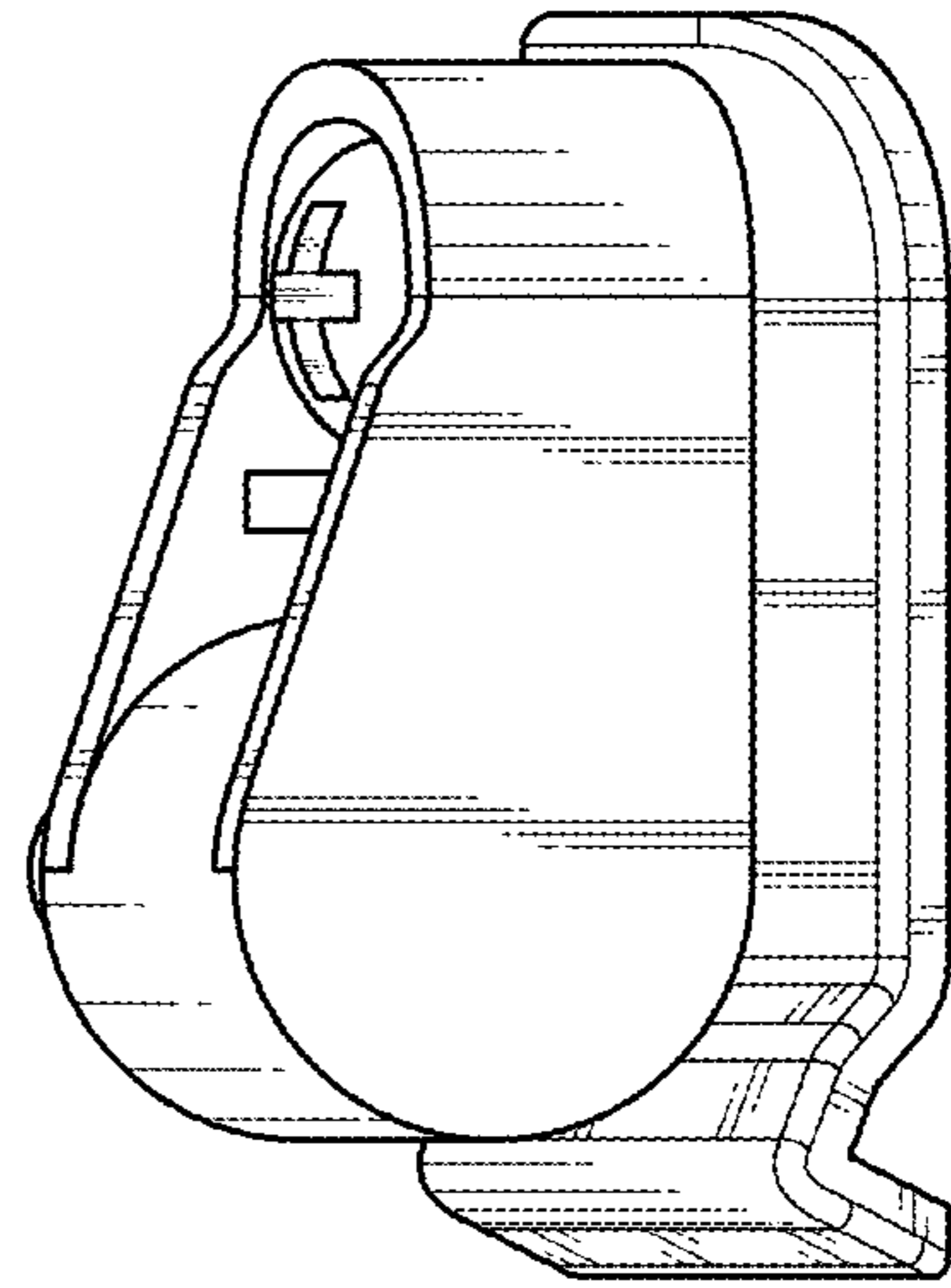


FIG. 6

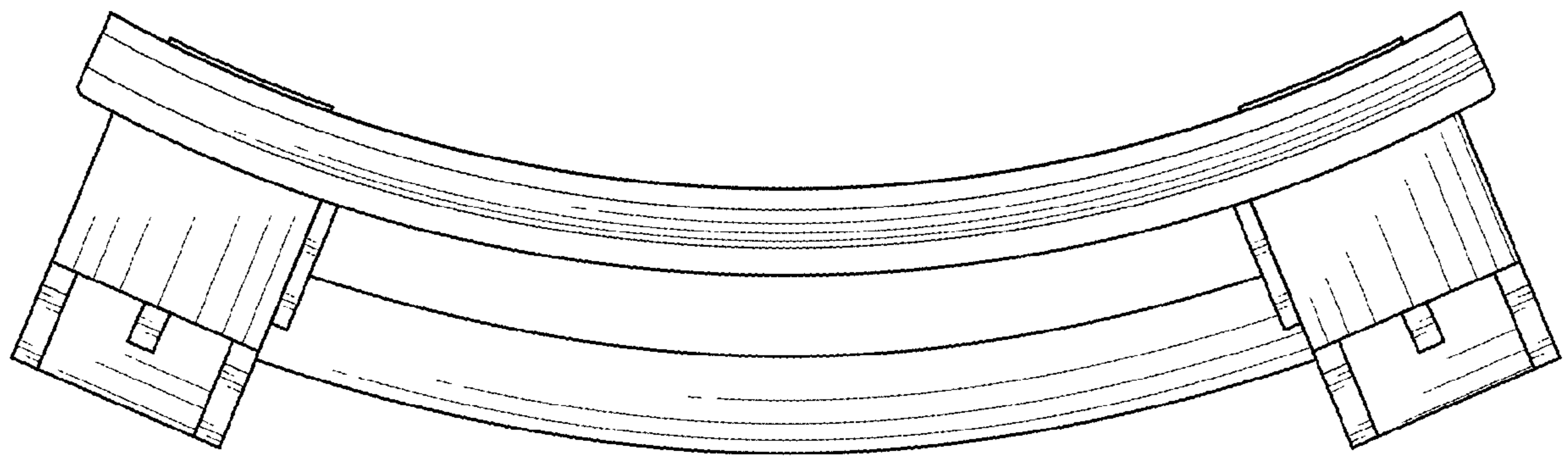


FIG. 7

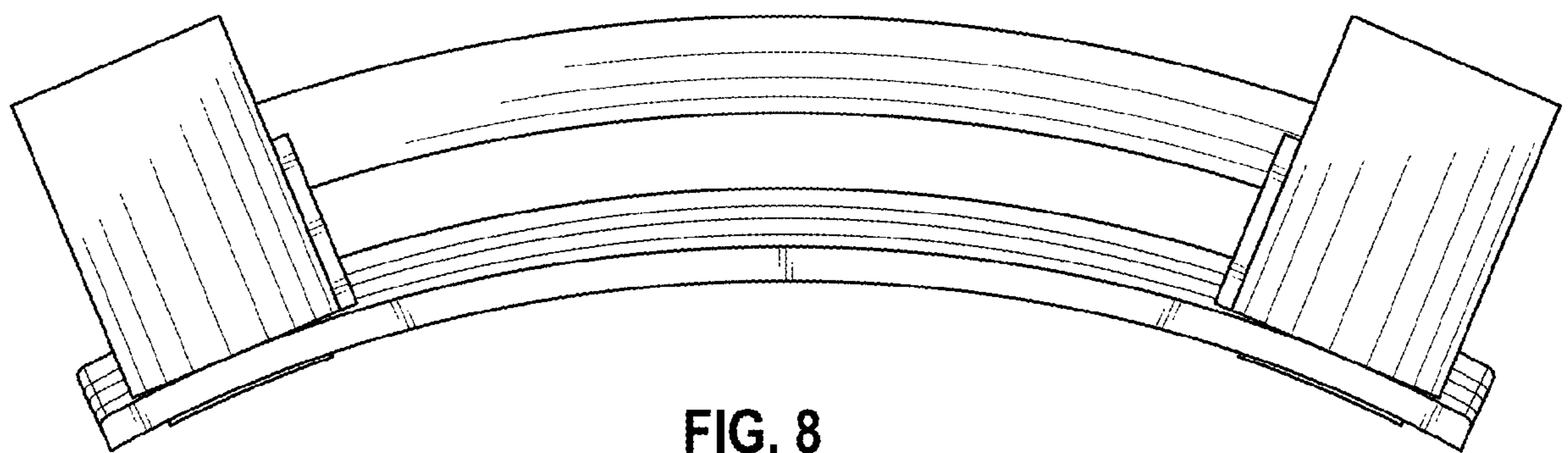


FIG. 8