



US00D892471S

(12) **United States Design Patent** (10) **Patent No.:** **US D892,471 S**  
**Palsbo** (45) **Date of Patent:** **\*\* \*Aug. 11, 2020**

(54) **HAT BRIM**  
(71) Applicant: **Susan Palsbo**, Eugene, OR (US)  
(72) Inventor: **Susan Palsbo**, Eugene, OR (US)  
(\*) Notice: This patent is subject to a terminal disclaimer.  
(\*\*) Term: **15 Years**  
(21) Appl. No.: **29/656,327**  
(22) Filed: **Jul. 11, 2018**  
(51) **LOC (12) Cl.** ..... **02-03**  
(52) **U.S. Cl.**  
USPC ..... **D2/893**  
(58) **Field of Classification Search**  
USPC ..... D2/865, 866, 869, 872, 873, 876, 879,  
D2/882, 886, 891, 892, 893; D16/310,  
D16/311, 337, 340; D29/109, 122  
CPC ..... A42B 1/00; A42B 1/063; A42B 1/064;  
A42B 1/065; A42B 3/00; A42B 3/22;  
A42C 1/06; A61F 9/045  
See application file for complete search history.

D712,635 S \* 9/2014 Rivas ..... D2/882  
D806,366 S \* 1/2018 Hamilton ..... D2/893  
D844,303 S \* 4/2019 Romo ..... D2/893

\* cited by examiner

*Primary Examiner* — Jasmine Mlinarcik  
(74) *Attorney, Agent, or Firm* — Klarquist Sparkman, LLP

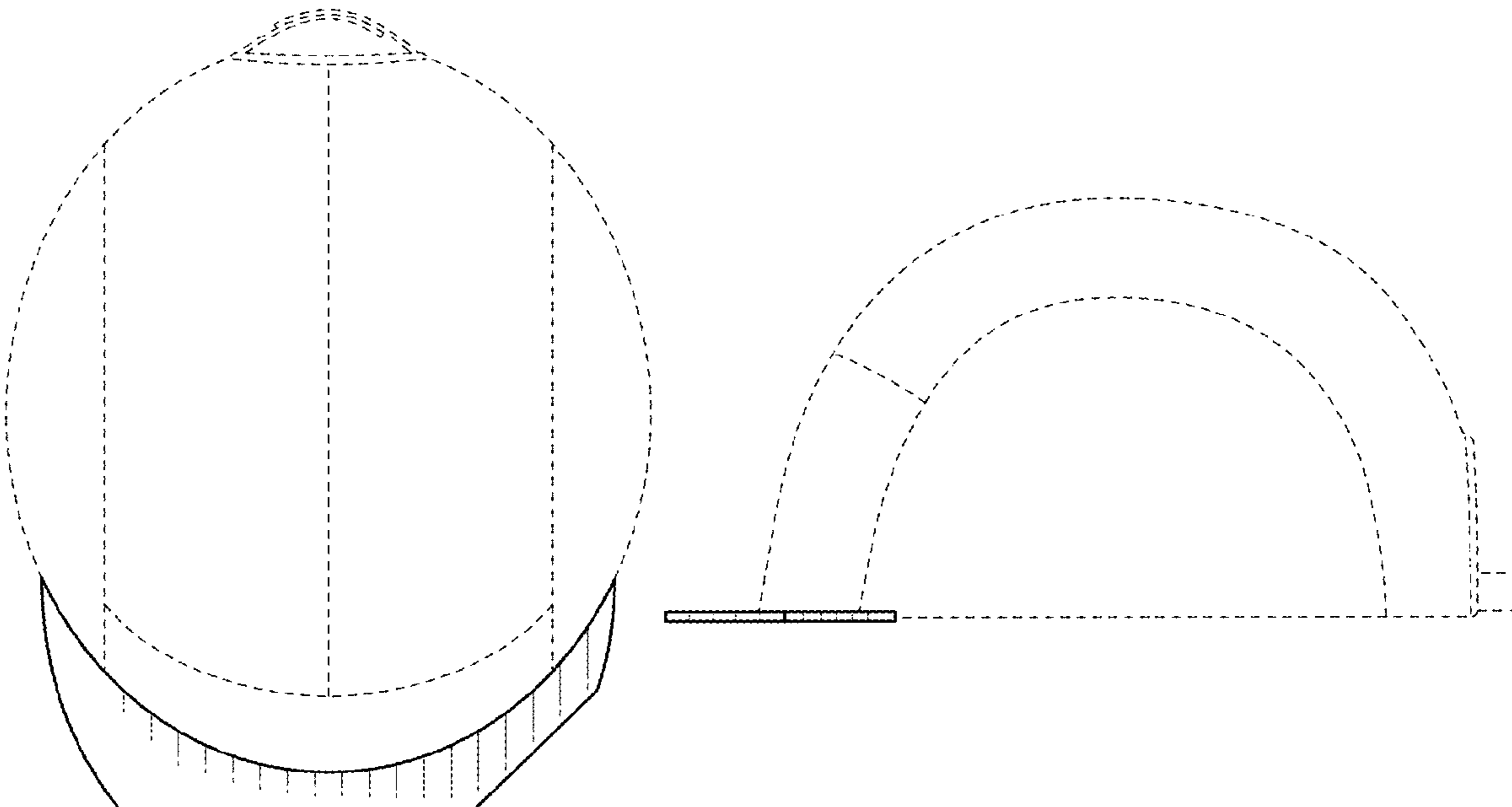
(57) **CLAIM**  
The ornamental design for a hat brim, as shown and described.

**DESCRIPTION**

FIG. 1 is a top plan view of a hat brim illustrated in a flat configuration.  
FIG. 2 is a bottom plan view of the hat brim of FIG. 1 illustrated in a flat configuration.  
FIG. 3 is a right side elevation view of the hat brim of FIG. 1 illustrated in a flat configuration.  
FIG. 4 is a left side elevation view of the hat brim of FIG. 1 illustrated in a flat configuration.  
FIG. 5 is a front elevation view of the hat brim of FIG. 1 illustrated in a flat configuration.  
FIG. 6 is a top plan view of a hat brim illustrated in a flat configuration according to an alternative implementation in which the design of FIG. 1 is reversed to provide a mirror-image implementation of the design of FIG. 1.  
FIG. 7 is a bottom plan view of the hat brim of FIG. 6 illustrated in a flat configuration.  
FIG. 8 is a right side elevation view of the hat brim of FIG. 6 illustrated in a flat configuration.  
FIG. 9 is a left side elevation view of the hat brim of FIG. 6 illustrated in a flat configuration; and,  
FIG. 10 is a front elevation view of the hat brim of FIG. 6 illustrated in a flat configuration.  
The hat illustrated by broken lines depicts the environment of the hat brim and forms no part of the claimed design.

(56) **References Cited**  
U.S. PATENT DOCUMENTS  
1,569,658 A \* 1/1926 Levinson ..... A42B 1/062  
2/10  
4,247,957 A \* 2/1981 Rogers ..... A61F 9/045  
2/12  
D377,108 S \* 1/1997 Schulz ..... D2/893  
D417,770 S \* 12/1999 Greenwood ..... D2/882  
D455,538 S \* 4/2002 Rhoden ..... D2/869  
D551,827 S \* 10/2007 Saveliev ..... D2/893  
D552,331 S \* 10/2007 Saveliev ..... D2/893

**1 Claim, 4 Drawing Sheets**



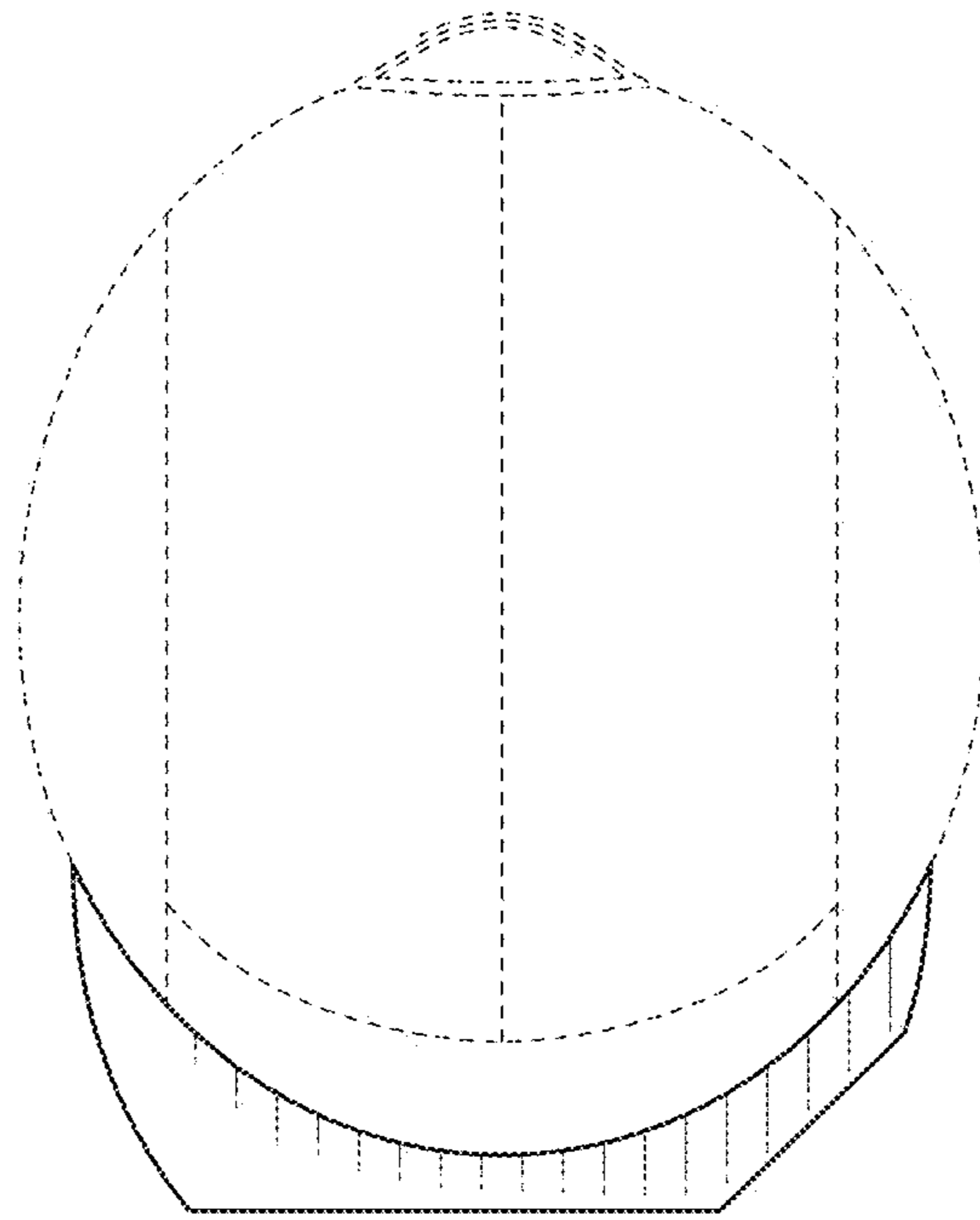


FIG. 1

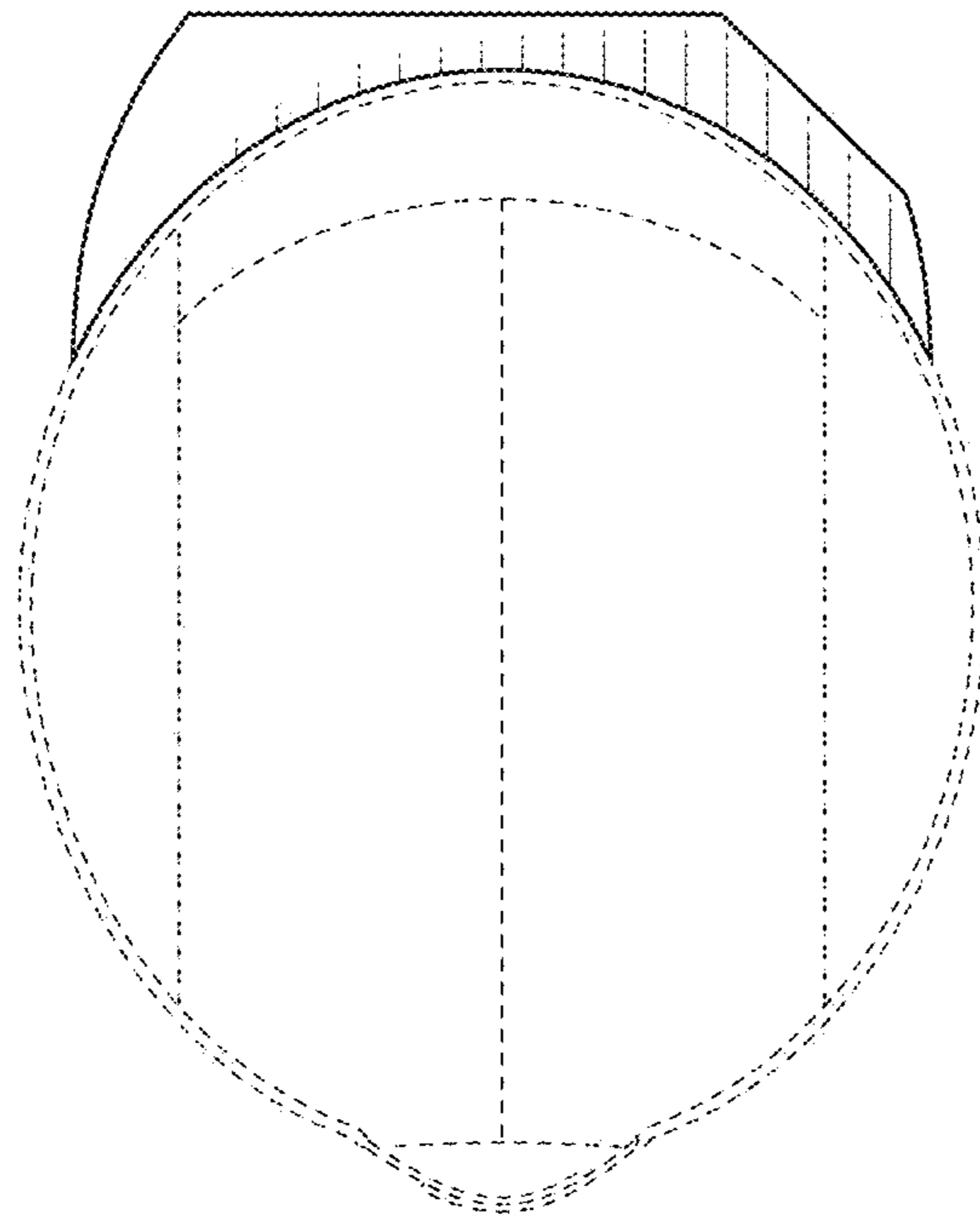


FIG. 2

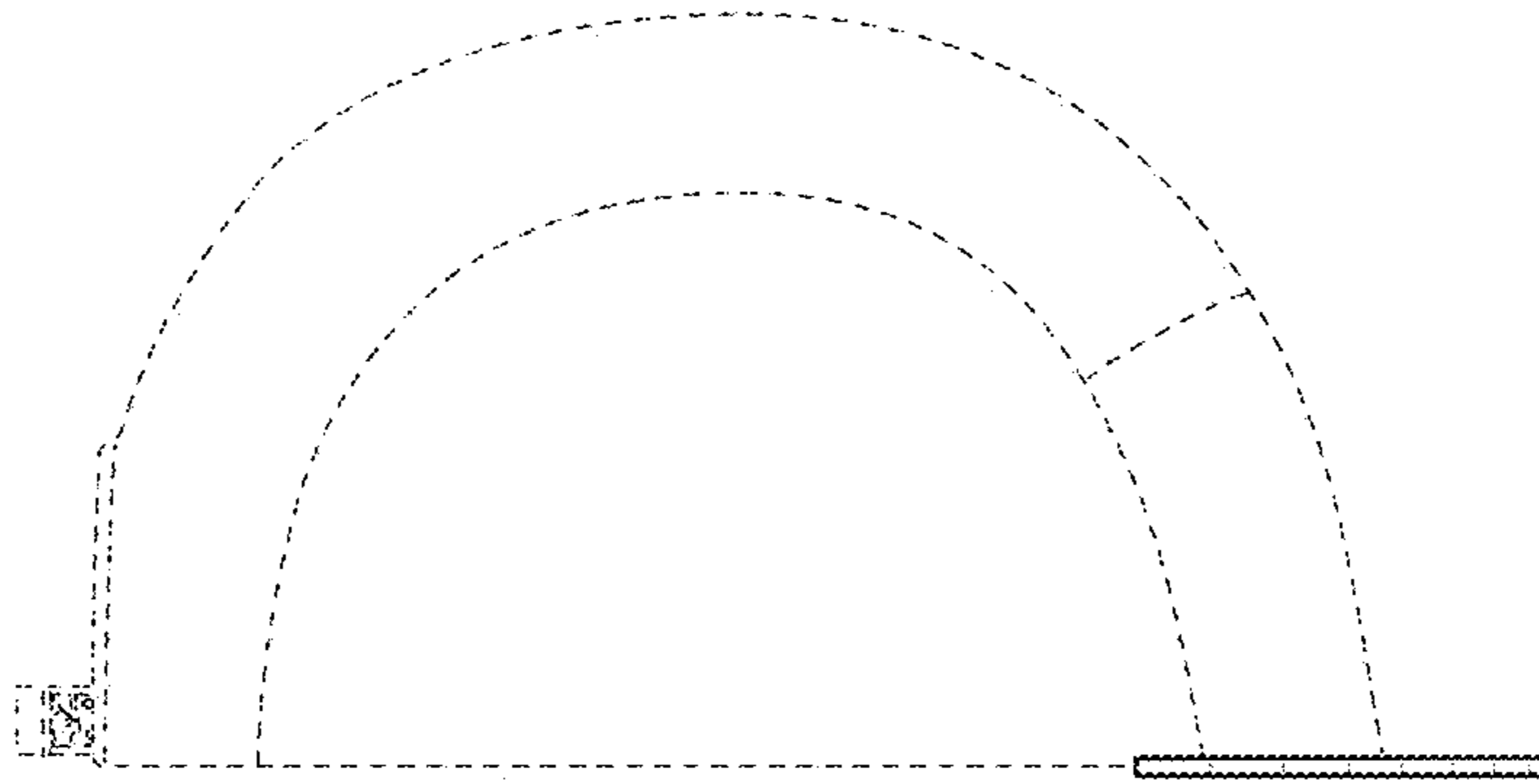


FIG. 3

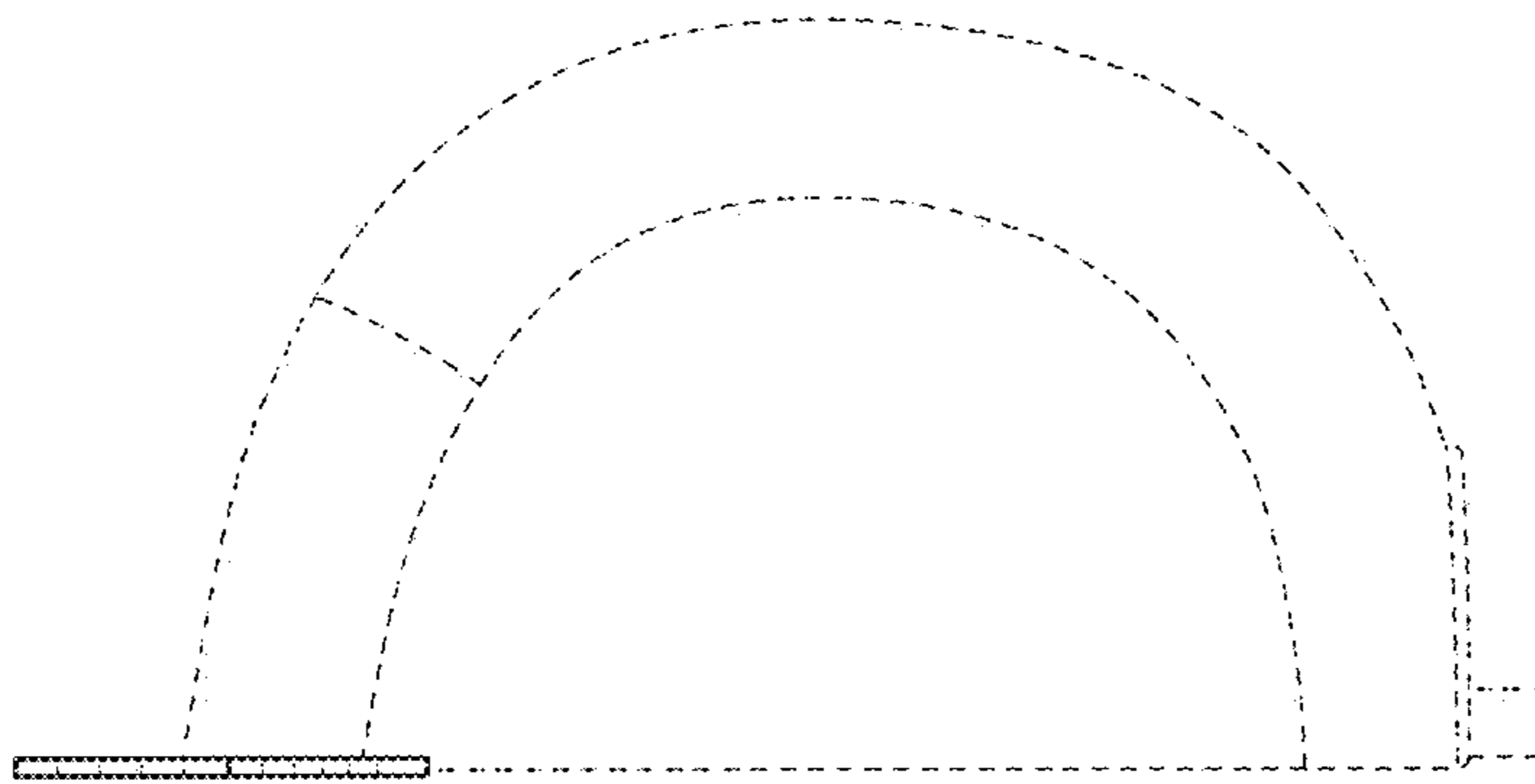


FIG. 4

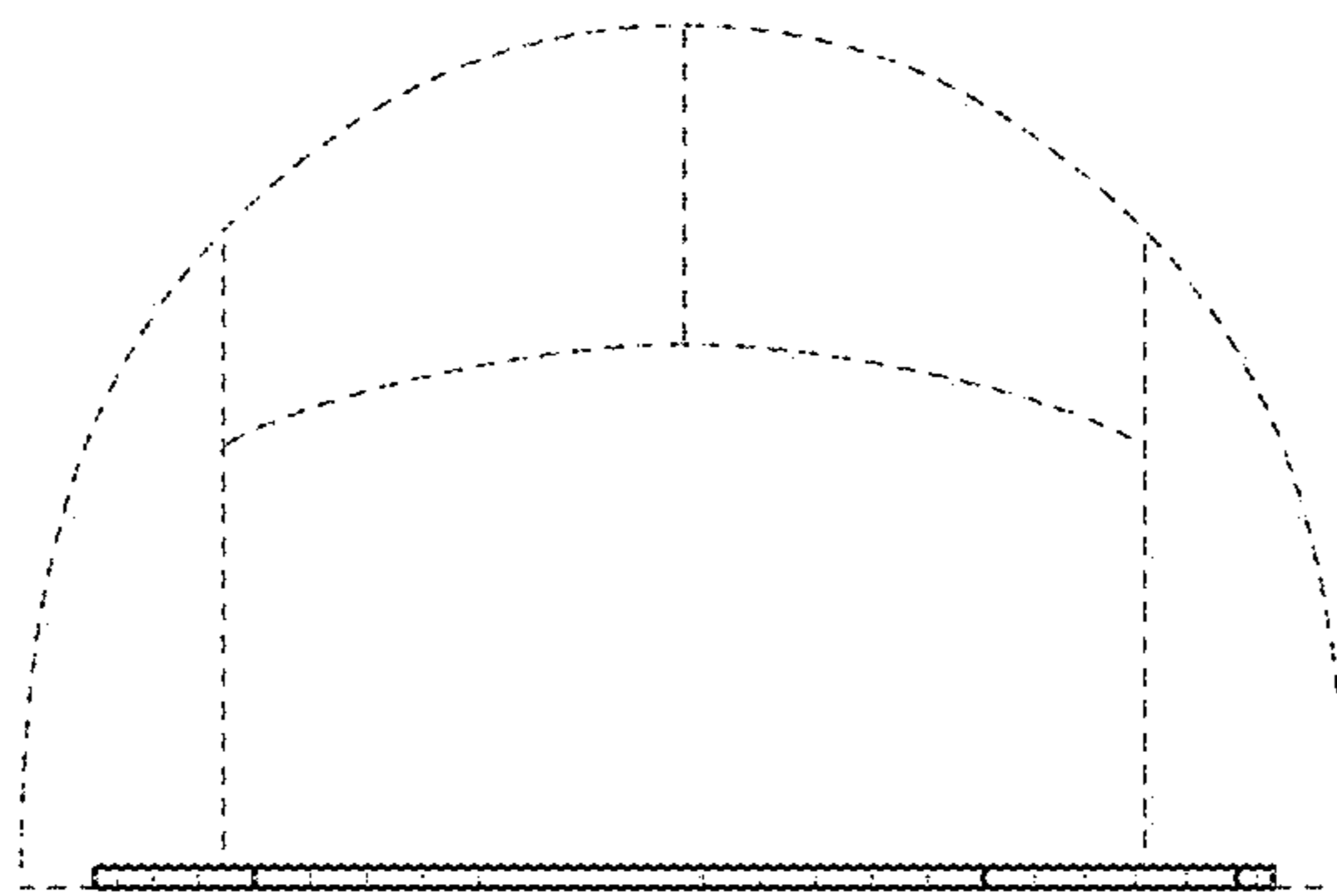


FIG. 5

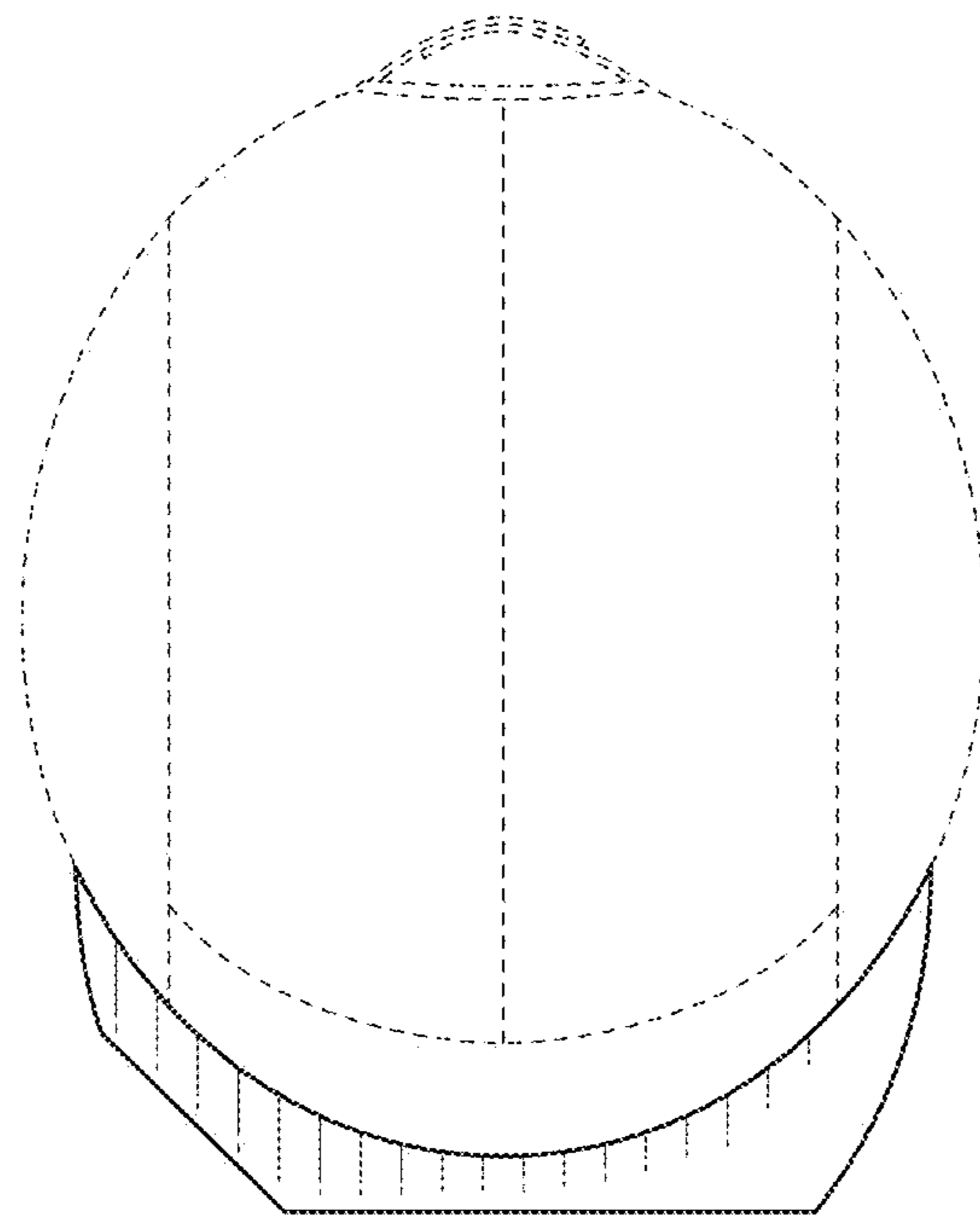


FIG. 6

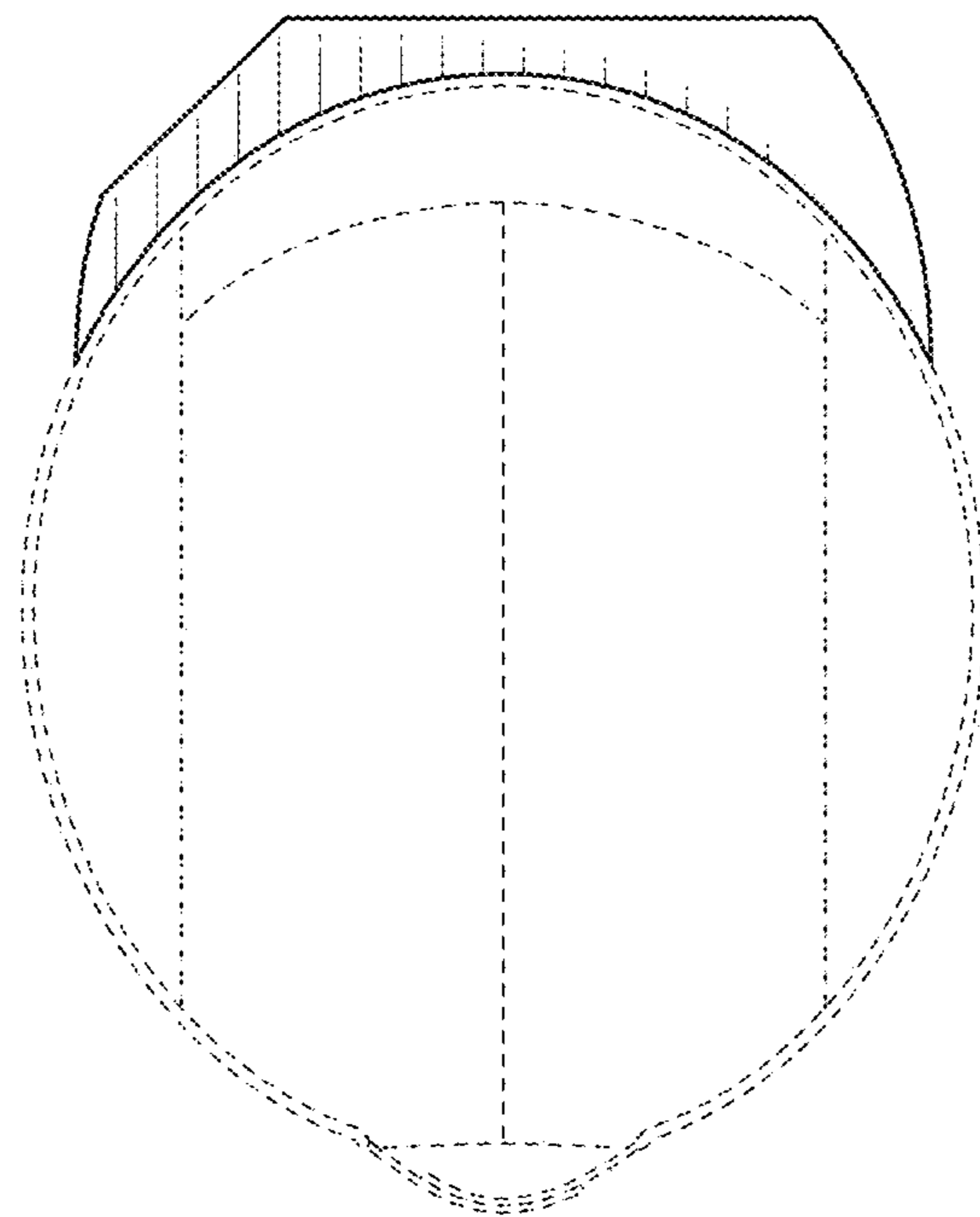


FIG. 7

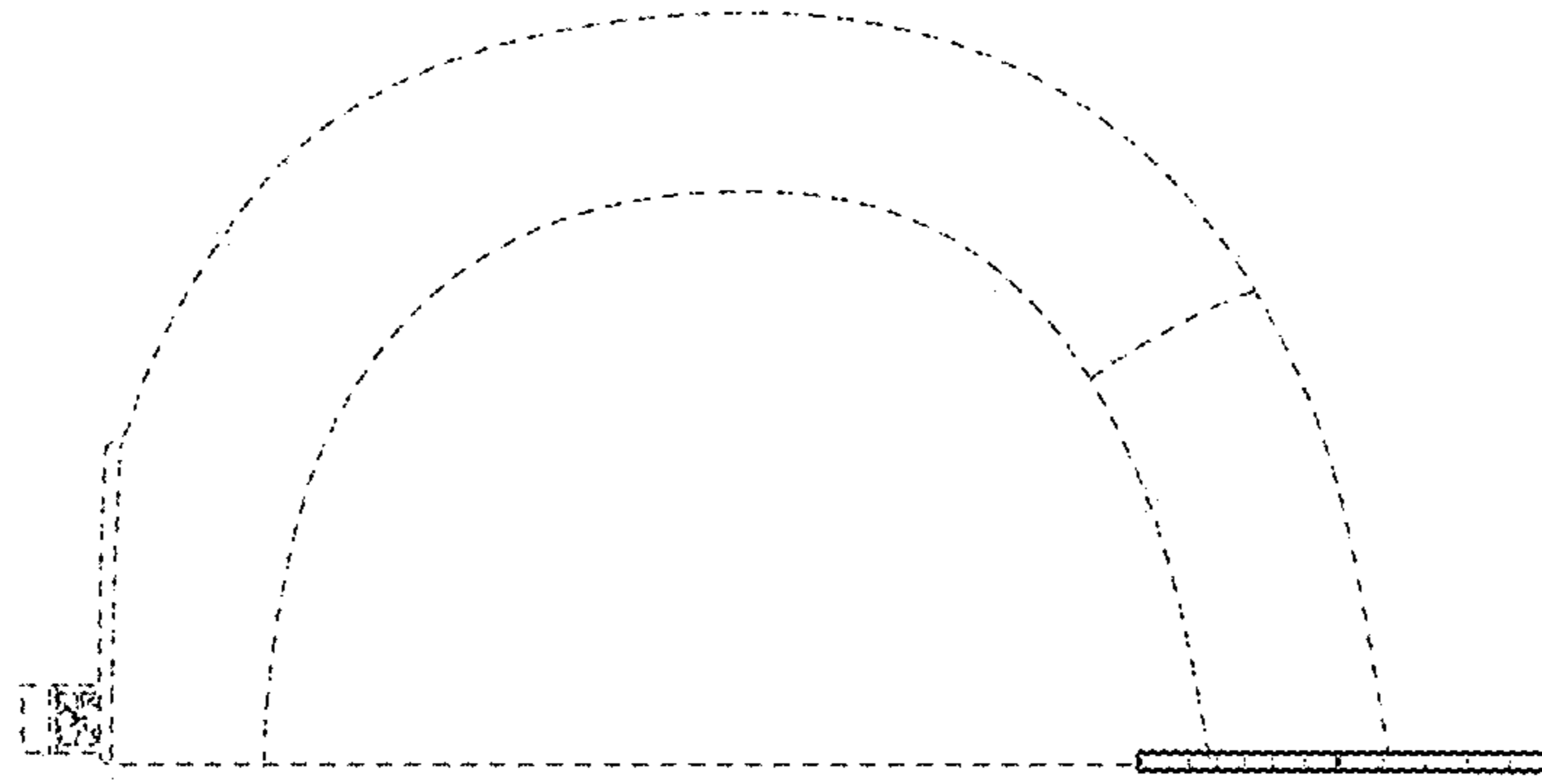


FIG. 8

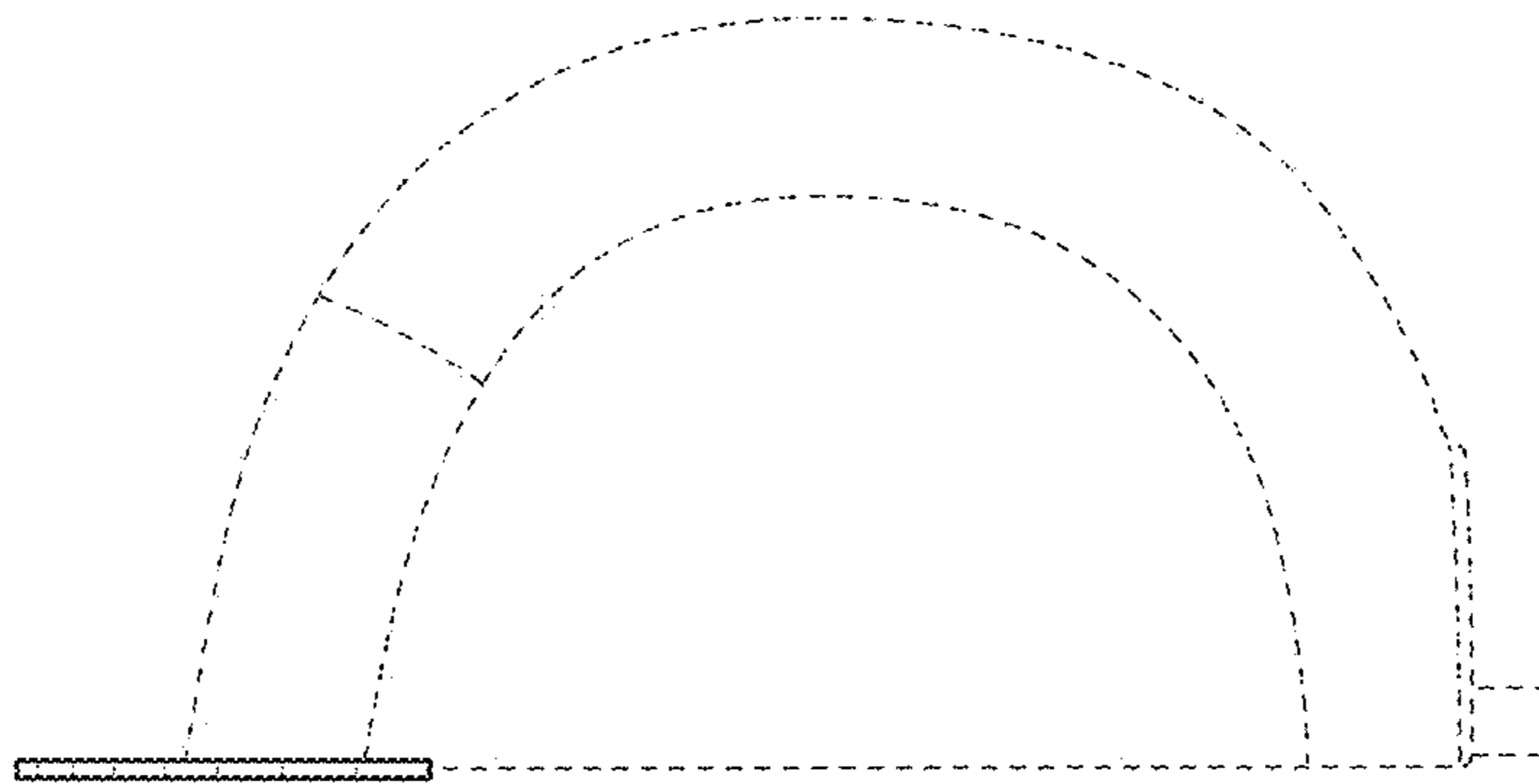


FIG. 9

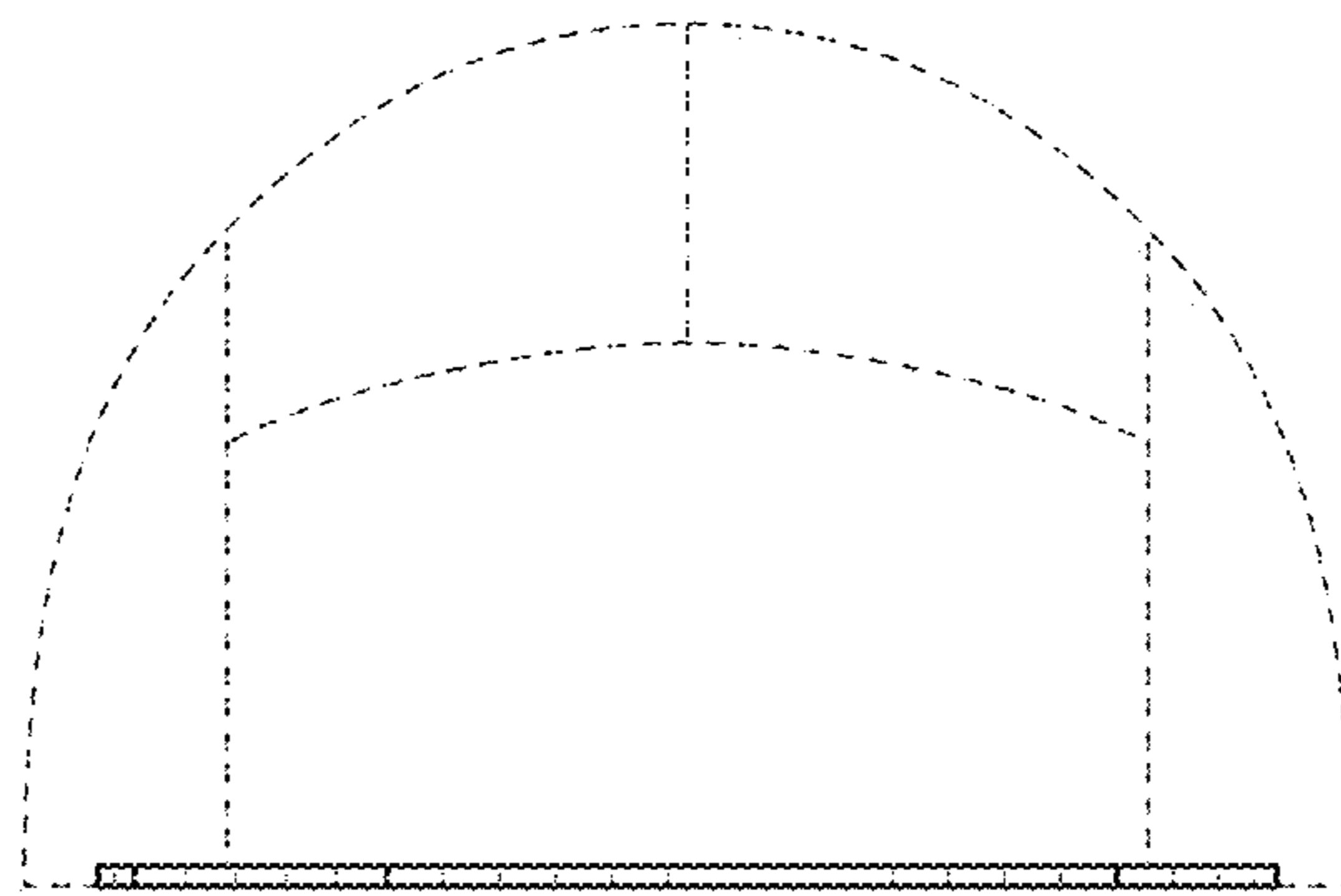


FIG. 10