



US00D892470S

(12) **United States Design Patent**  
**Prezioso**

(10) **Patent No.:** **US D892,470 S**  
(45) **Date of Patent:** **\*\* Aug. 11, 2020**

- (54) **ADJUSTABLE HEADWEAR VISOR**
- (71) Applicant: **Leonardo German Prezioso**, Newhall, CA (US)
- (72) Inventor: **Leonardo German Prezioso**, Newhall, CA (US)
- (73) Assignee: **Leo Prezioso**, Newhall, CA (US)
- (\*\*) Term: **15 Years**

5,689,830 A \* 11/1997 Pflum ..... A42B 1/065  
2/10  
D488,293 S \* 4/2004 Norway, Jr. .... D2/882  
D499,231 S \* 12/2004 Toppel ..... D2/882  
(Continued)

*Primary Examiner* — Jasmine Mlinarcik

(57) **CLAIM**

The ornamental design for an adjustable headwear visor, as shown and described.

**DESCRIPTION**

- (21) Appl. No.: **29/611,185**
- (22) Filed: **Jul. 19, 2017**
- (51) **LOC (12) Cl.** ..... **02-03**
- (52) **U.S. Cl.**  
USPC ..... **D2/893**
- (58) **Field of Classification Search**  
USPC ..... D2/865, 866, 869, 870, 871, 872, 873,  
D2/874, 875, 876, 877, 878, 879, 880,  
D2/881, 882, 883, 884, 885, 886, 887,  
D2/888, 889, 890, 891, 892, 893, 894,  
D2/895; D29/104, 109  
CPC .. A42B 1/00; A42B 1/004; A42B 1/02; A42B  
1/06; A42B 1/062; A42B 1/206; A42B  
1/24; A42B 1/242; A42B 1/245; A42B  
1/247; A42B 1/248; A42B 3/00; A42B  
3/22

FIG. 1 is a top plan view of an adjustable headwear visor showing my new design;  
FIG. 2 is a bottom plan view thereof;  
FIG. 3 is a front elevation view thereof;  
FIG. 4 is a right side elevation view thereof;  
FIG. 5 is a left side elevation view thereof;  
FIG. 6 is a top plan view showing my new design in the extended state;  
FIG. 7 is a bottom plan view in the extended state thereof;  
FIG. 8 is a right side elevation view in the extended state thereof;  
FIG. 9 is a left side elevation view in the extended state thereof;  
FIG. 10 is a bottom plan view showing the adjustable headwear visor applied onto a baseball type hat in its retracted state thereof;  
FIG. 11 is a front elevation view showing the adjustable headwear visor applied onto a baseball type hat thereof;  
FIG. 12 is a bottom plan view showing the adjustable headwear visor applied onto a baseball type hat in its extended state thereof; and,  
FIG. 13 is a right side elevation view showing the adjustable headwear visor applied onto a baseball type hat in its extended state thereof.  
The broken lines depict a baseball type hat which is included to assist in illustrating the claimed design in use, and forms no part of the claimed design.

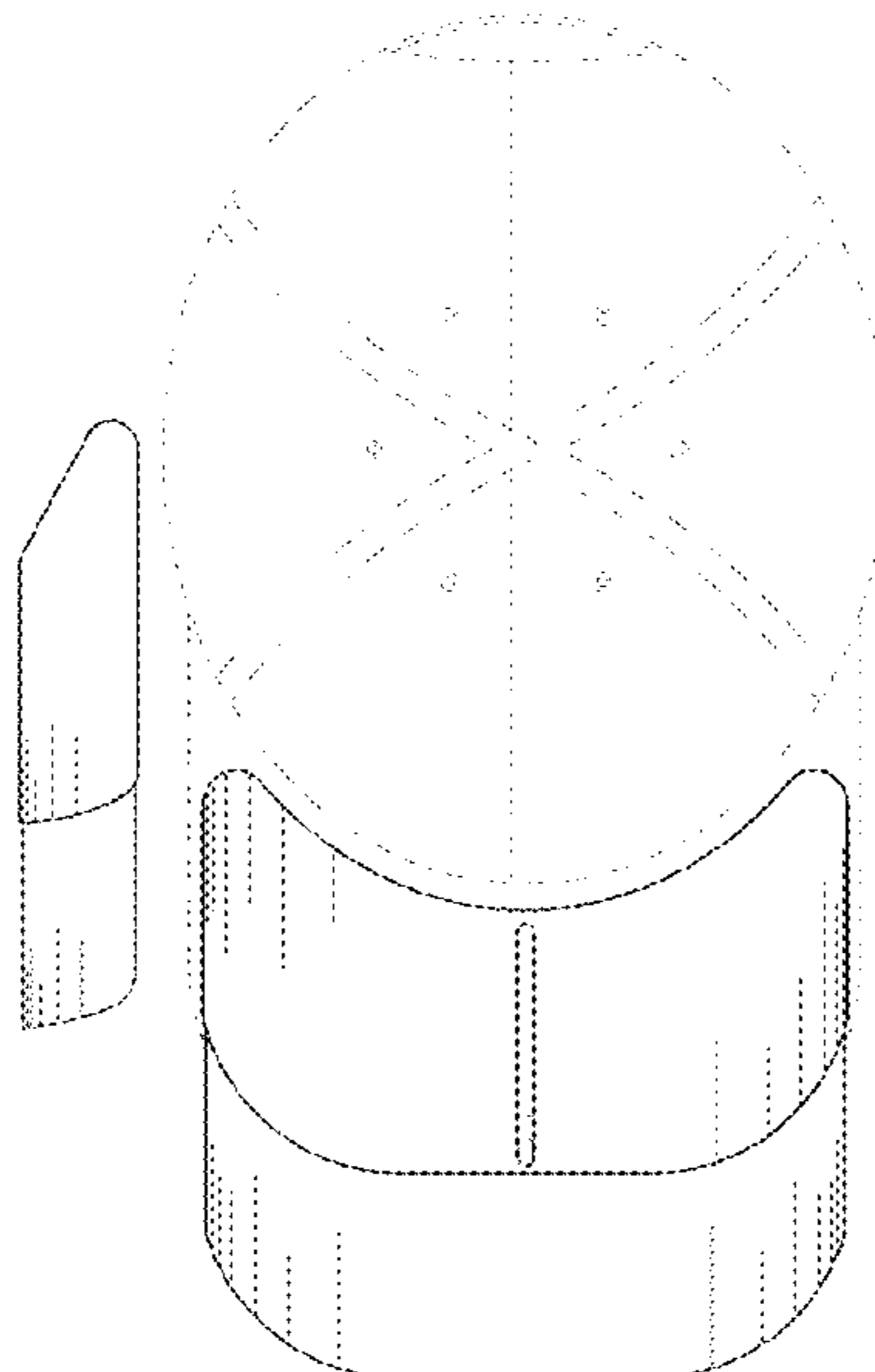
See application file for complete search history.

(56) **References Cited**

U.S. PATENT DOCUMENTS

- 4,491,256 A \* 1/1985 Payne ..... D06F 59/02  
223/24
- 4,793,006 A \* 12/1988 Dawson ..... A42B 1/065  
2/10
- 5,197,150 A \* 3/1993 Bedient ..... A42B 1/065  
2/10
- D360,972 S \* 8/1995 Bennett, Jr. .... D2/865

**1 Claim, 4 Drawing Sheets**



(56)

**References Cited**

U.S. PATENT DOCUMENTS

6,959,454 B2 \* 11/2005 DeWinter ..... A42B 1/062  
2/12  
D612,134 S \* 3/2010 Hoffman ..... D2/872  
D637,797 S \* 5/2011 Kim ..... D2/893  
8,640,264 B2 \* 2/2014 Ramer ..... A42B 1/062  
2/171.3  
10,058,139 B2 \* 8/2018 Kay ..... A42B 1/245  
2016/0377085 A1 \* 12/2016 Wang ..... F04D 25/0673  
415/177

\* cited by examiner

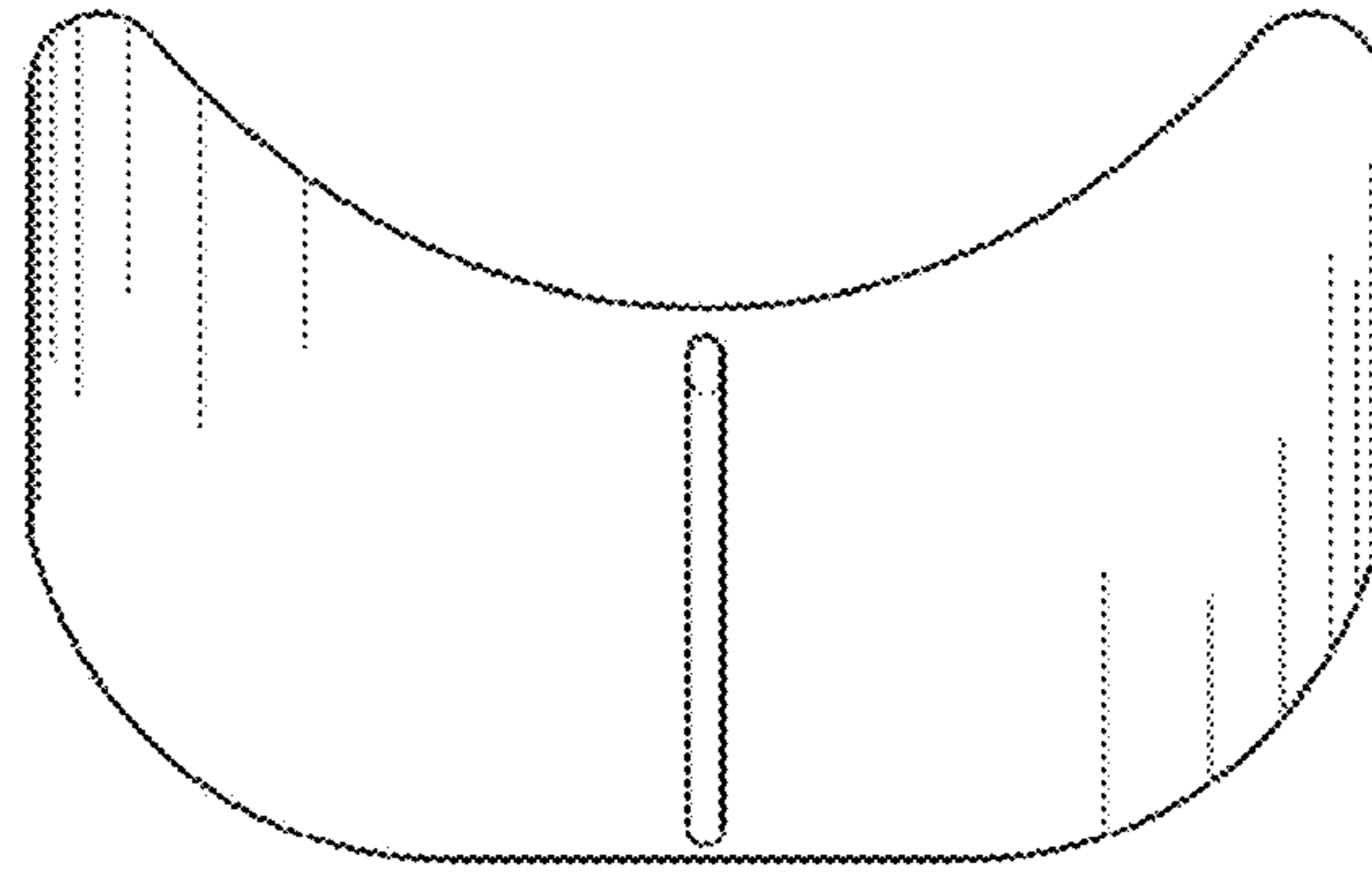


FIG. 2

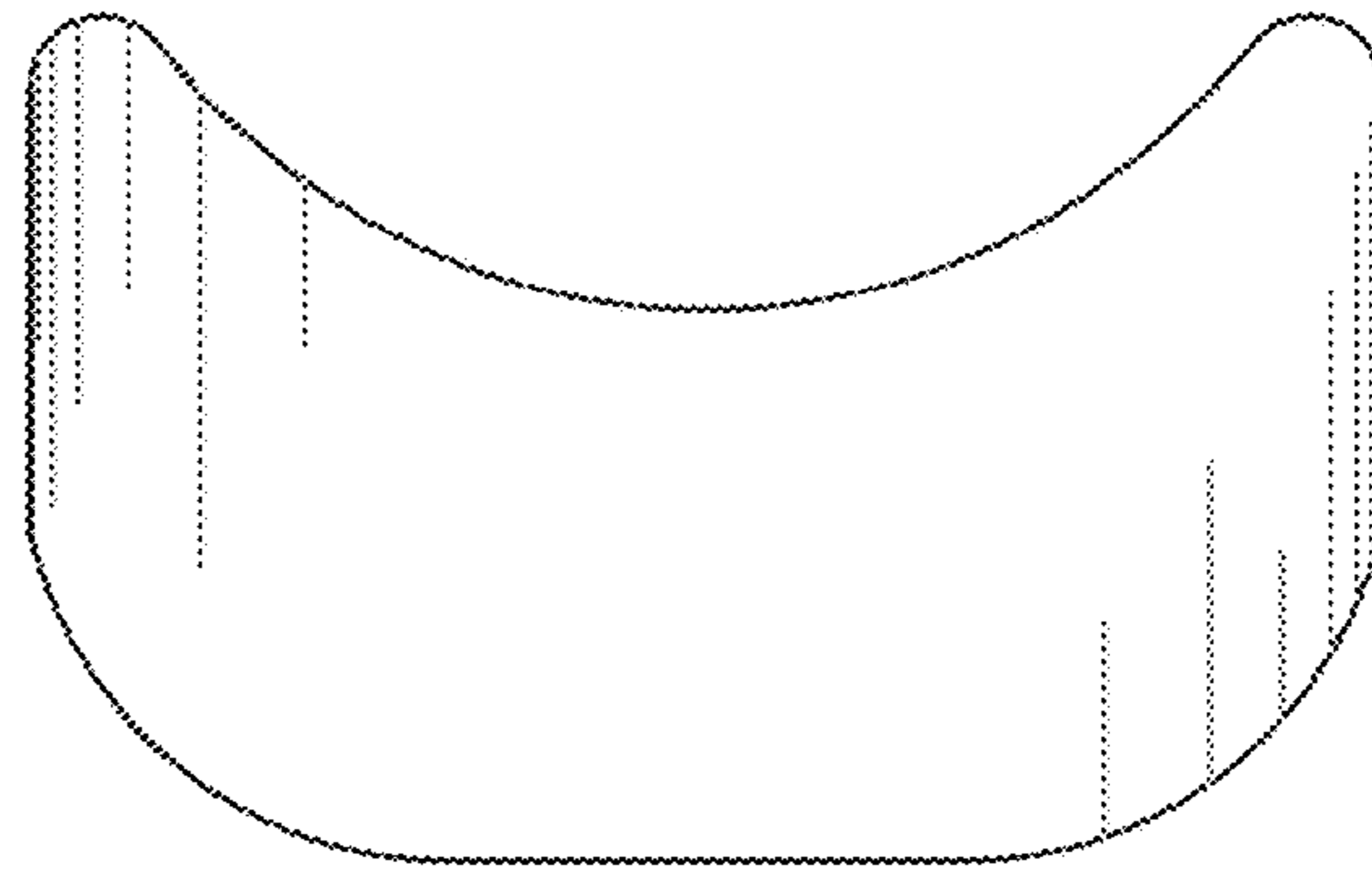


FIG. 1



FIG. 5



FIG. 3



FIG. 4

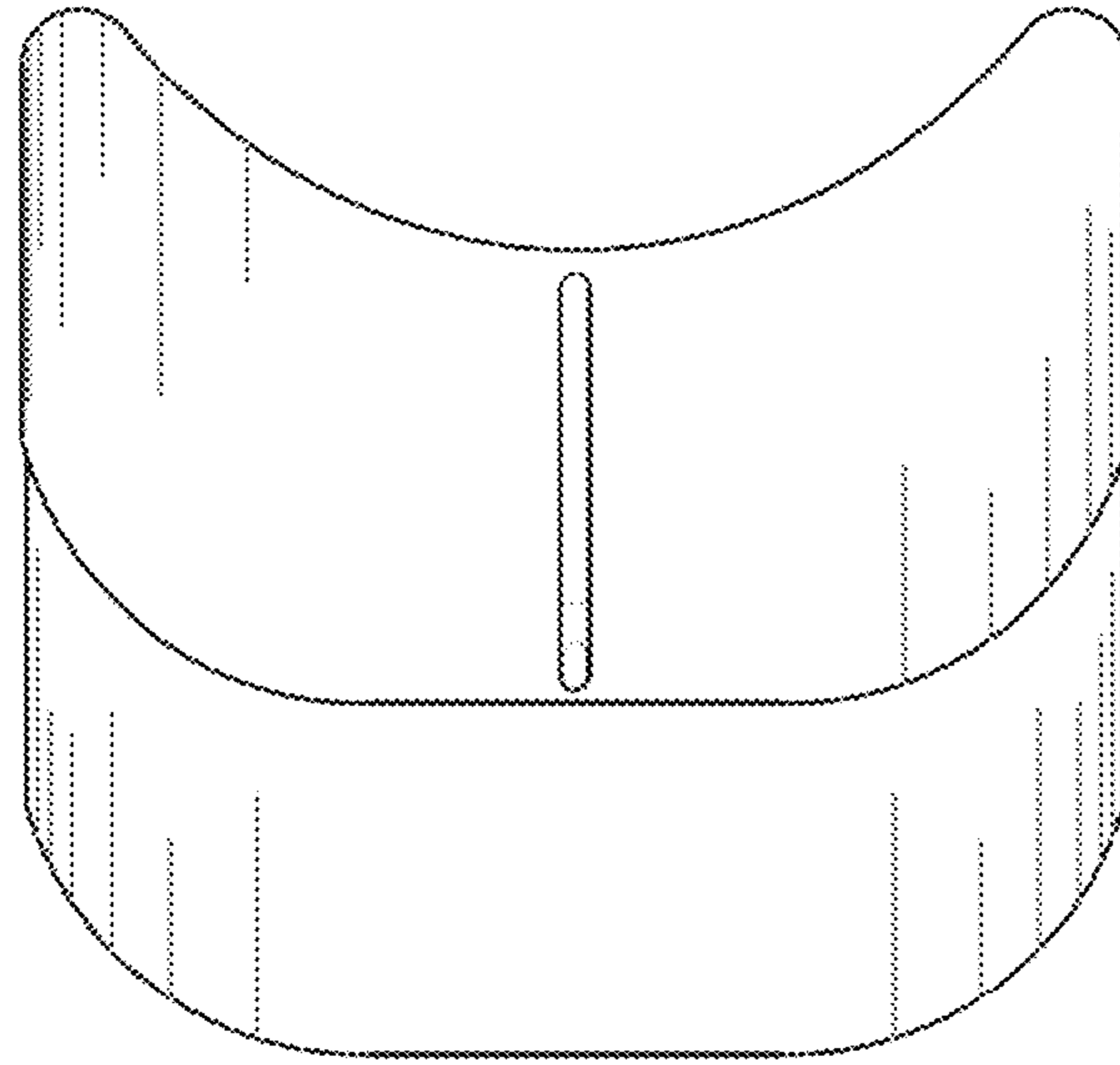


FIG. 7

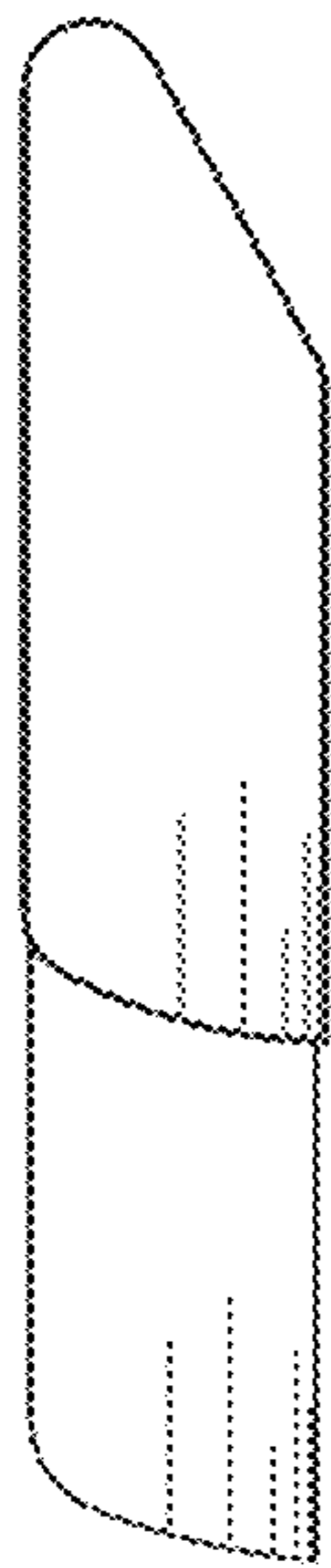


FIG. 9

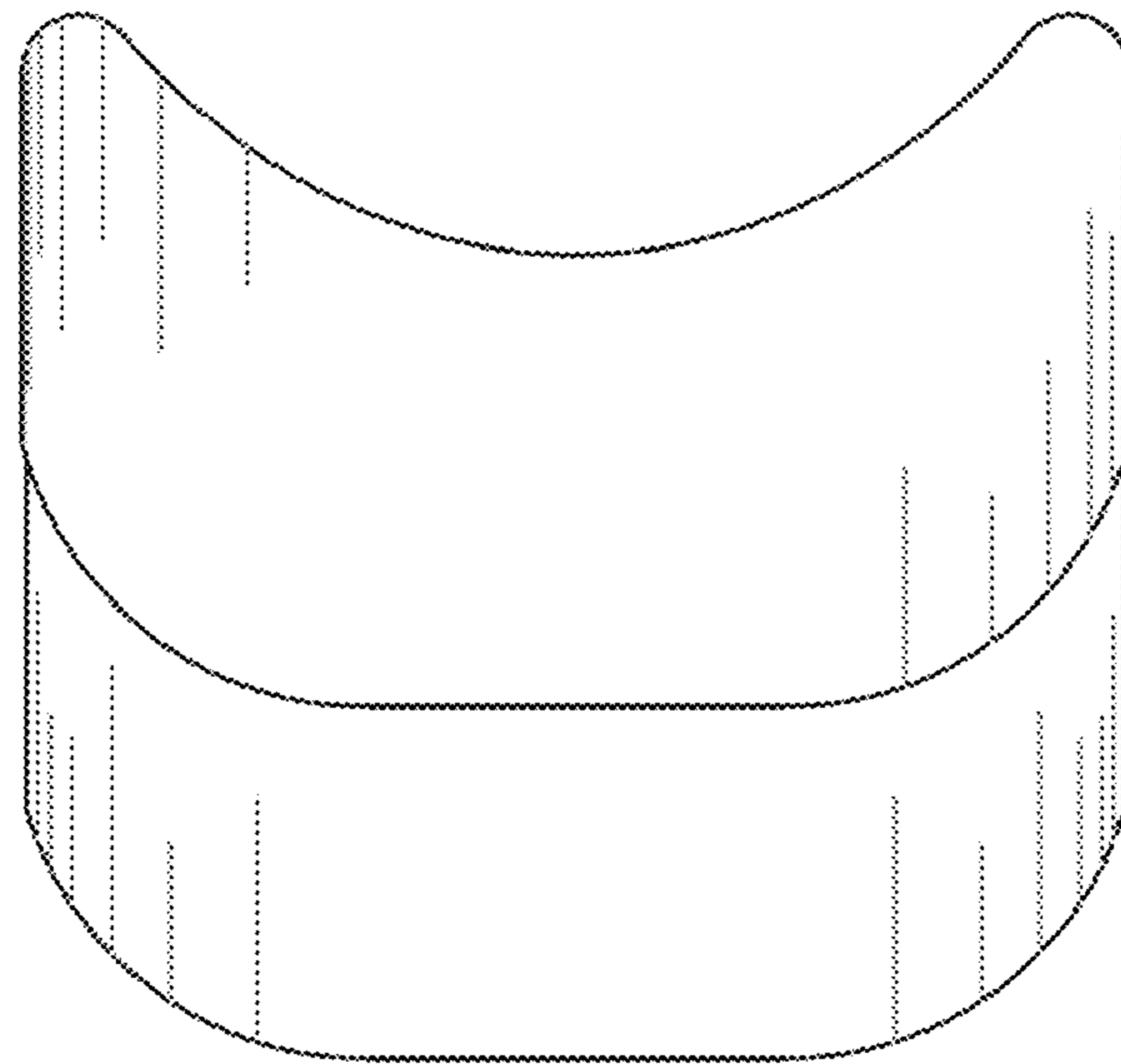


FIG. 6

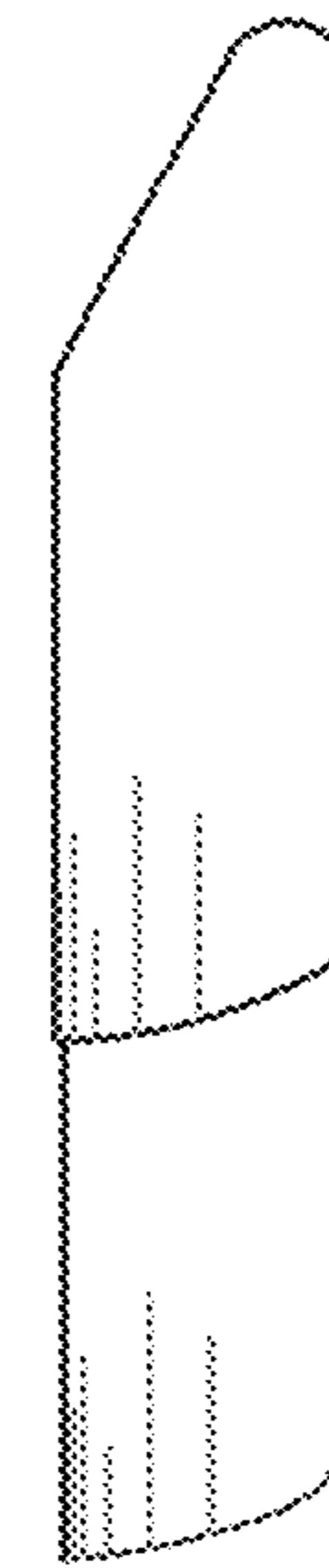


FIG. 8

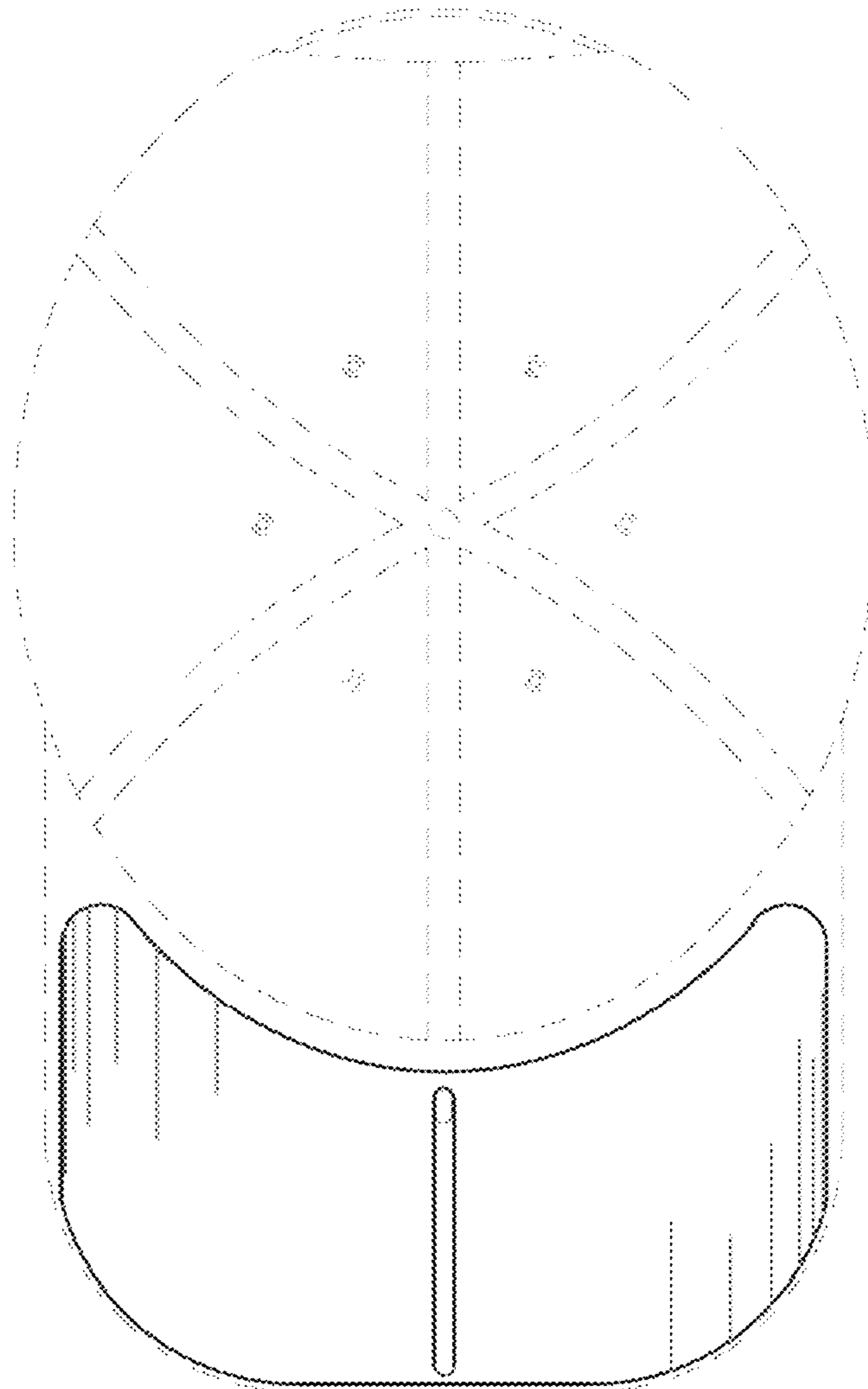


FIG. 10

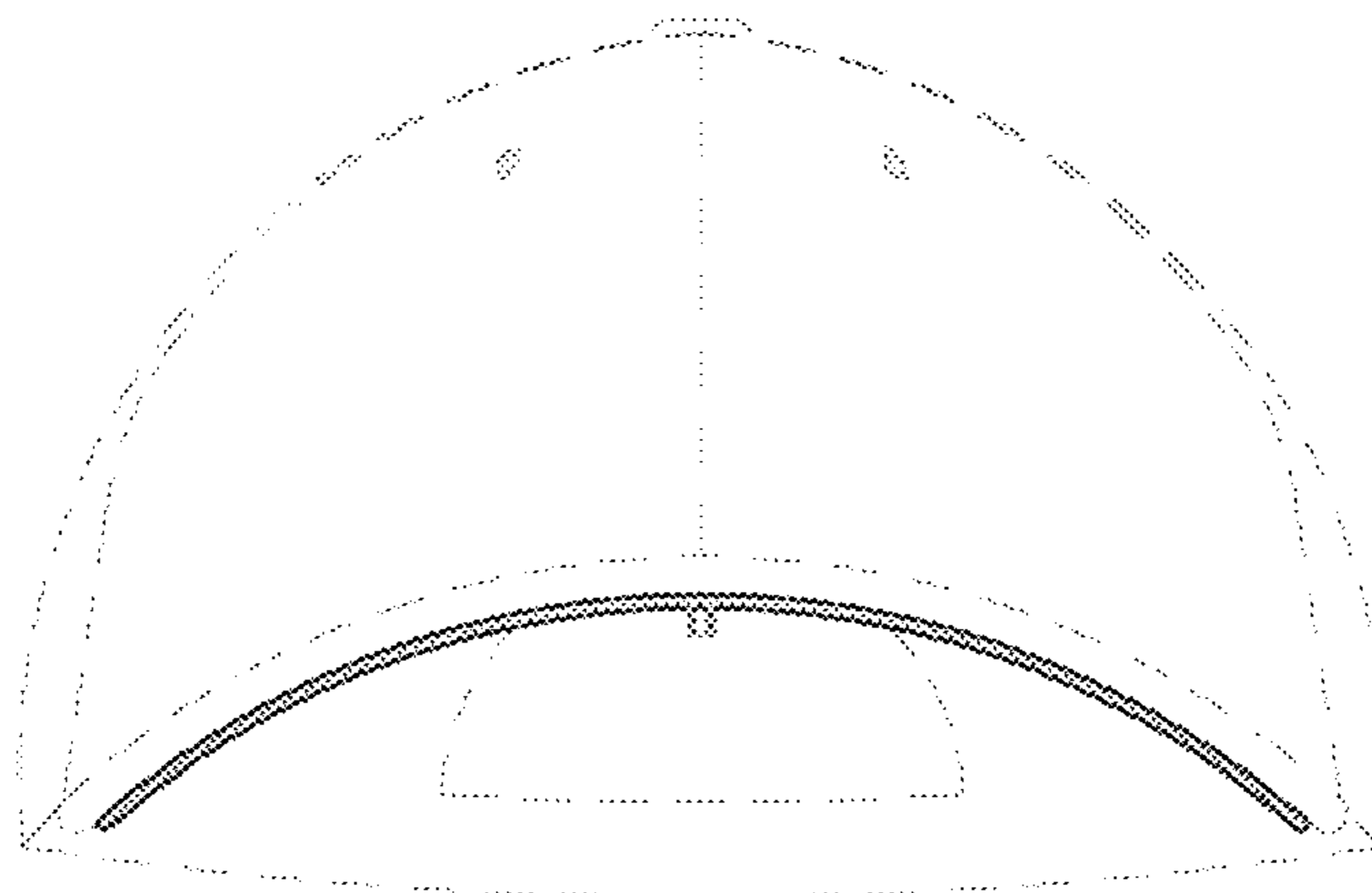


FIG. 11

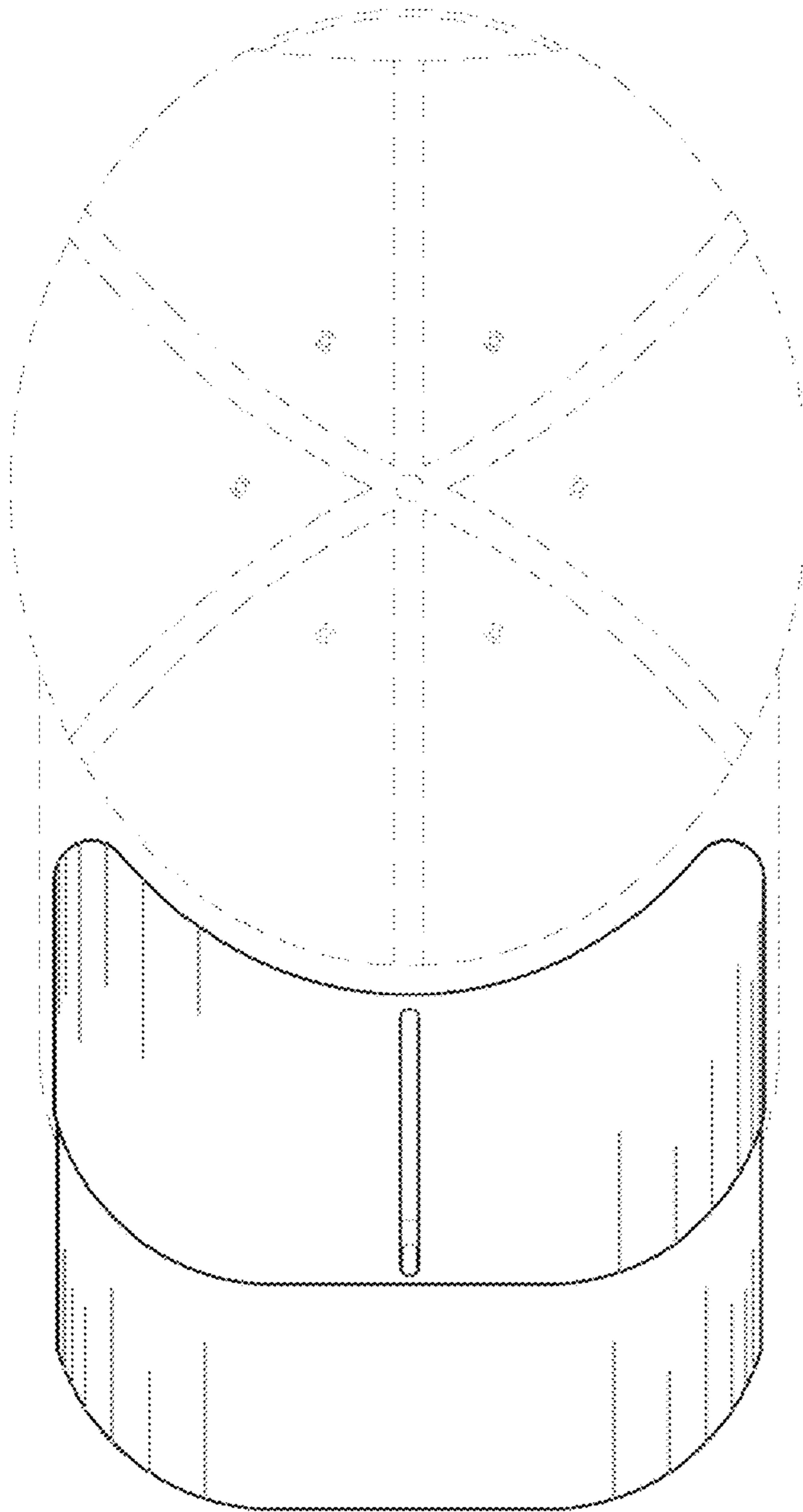


FIG. 12

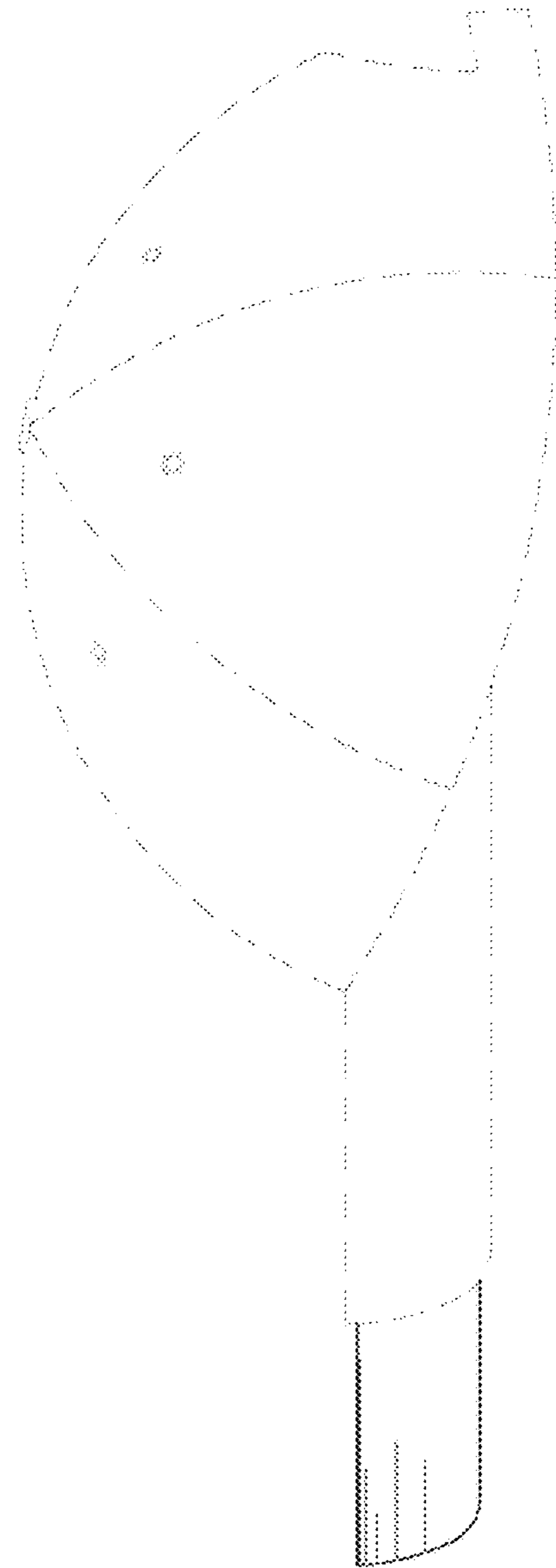


FIG. 13