



US00D892469S

(12) **United States Design Patent**
Costenbader

(10) **Patent No.:** **US D892,469 S**
(45) **Date of Patent:** **** Aug. 11, 2020**

- (54) **CONVERTIBLE HAT MOUNTING CLIP**
- (71) Applicant: **David G. Costenbader**, Virginia Beach, VA (US)
- (72) Inventor: **David G. Costenbader**, Virginia Beach, VA (US)
- (**) Term: **15 Years**
- (21) Appl. No.: **29/665,945**
- (22) Filed: **Oct. 9, 2018**
- (51) **LOC (12) Cl.** **02-03**
- (52) **U.S. Cl.**
USPC **D2/891**
- (58) **Field of Classification Search**
USPC D2/865, 866, 872, 875, 876, 877, 878, D2/879, 880, 881, 882, 883, 884, 885, D2/886, 887, 888, 891, 893, 895; D6/315, 323, 325, 328; D8/38, 325; D11/200, 201, 202, 204, 207, 212, 214, D11/215, 222; D14/126, 129, 299, 371, D14/372, 432, 496; D16/330
CPC .. A42B 1/00; A42B 1/004; A42B 1/24; A42B 3/04; A44B 9/00; A44B 9/02; A44B 9/04; A44B 9/06; A45F 5/06; A45F 5/02; A45F 5/021; A45F 2005/023; A45F 2005/025; G02B 27/017; Y10S 224/93
See application file for complete search history.

- D513,835 S * 1/2006 Robinson D2/892
- D645,231 S * 9/2011 Perry D2/891
- 8,245,366 B2 * 8/2012 Morejon A47D 15/008
24/3.1
- 8,510,916 B2 * 8/2013 Kinvi G09F 17/00
24/3.12
- D729,502 S * 5/2015 Aldridge D2/895
- D774,283 S * 12/2016 Rollins D2/882
- D847,609 S * 5/2019 Ng D8/354
- D875,511 S * 2/2020 Liu D8/374
- 2003/0051317 A1 * 3/2003 Preziosi A42B 1/24
24/3.12
- 2008/0040963 A1 * 2/2008 Ochs G09F 3/207
40/658
- 2020/0015535 A1 * 1/2020 Costenbader A42B 1/004

* cited by examiner

Primary Examiner — Jasmine Mlinarcik

(57) **CLAIM**

The ornamental design for a convertible hat mounting clip, as shown.

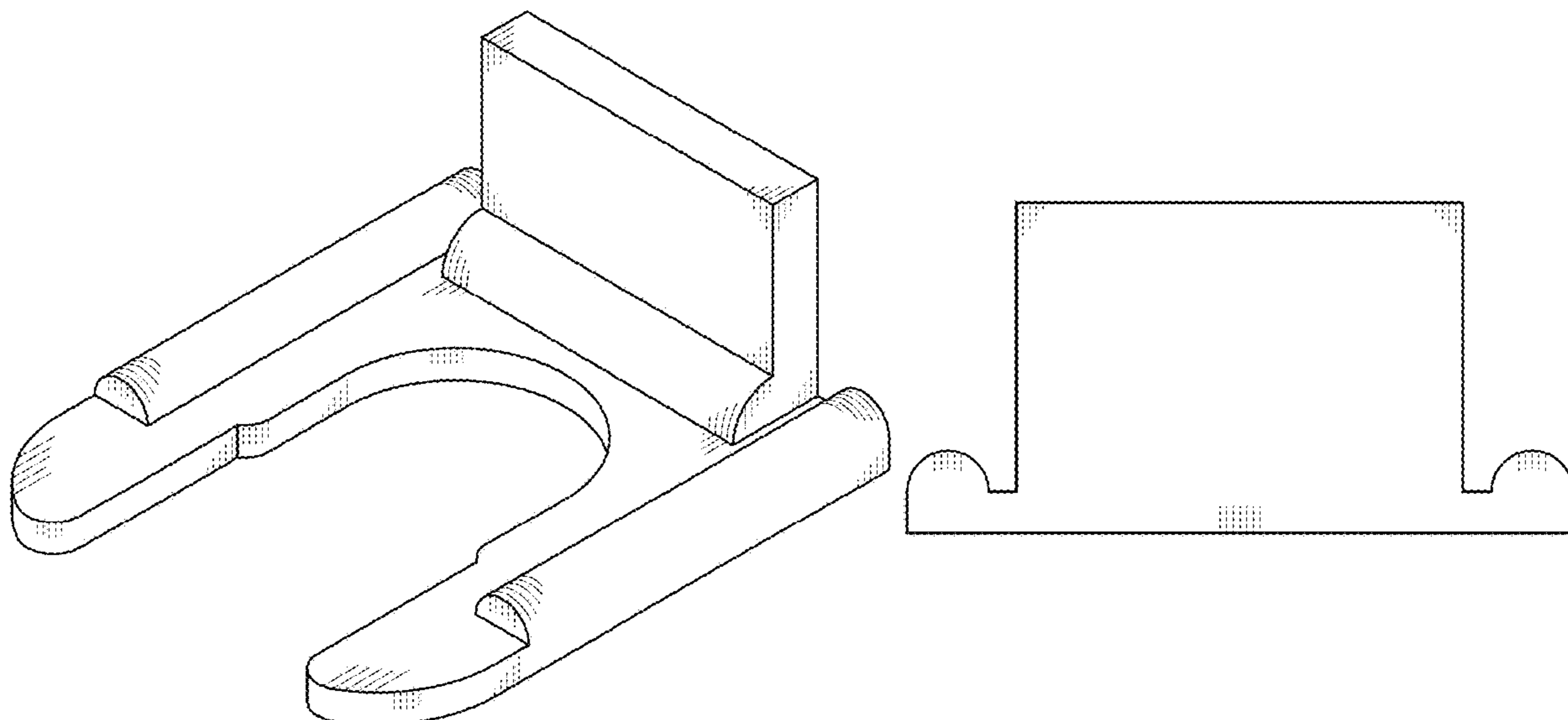
DESCRIPTION

FIG. 1 is a front left isometric view of a convertible hat mounting clip showing my new design; FIG. 2 is a front view thereof; FIG. 3 is a top view thereof; FIG. 4 is a bottom view thereof; FIG. 5 is a left-side view thereof; FIG. 6 is a right-side view thereof; and, FIG. 7 is a back view.

1 Claim, 7 Drawing Sheets

(56) **References Cited**
U.S. PATENT DOCUMENTS

- D280,466 S * 9/1985 Seltzer D12/422
- D369,957 S * 5/1996 Blanton D26/138



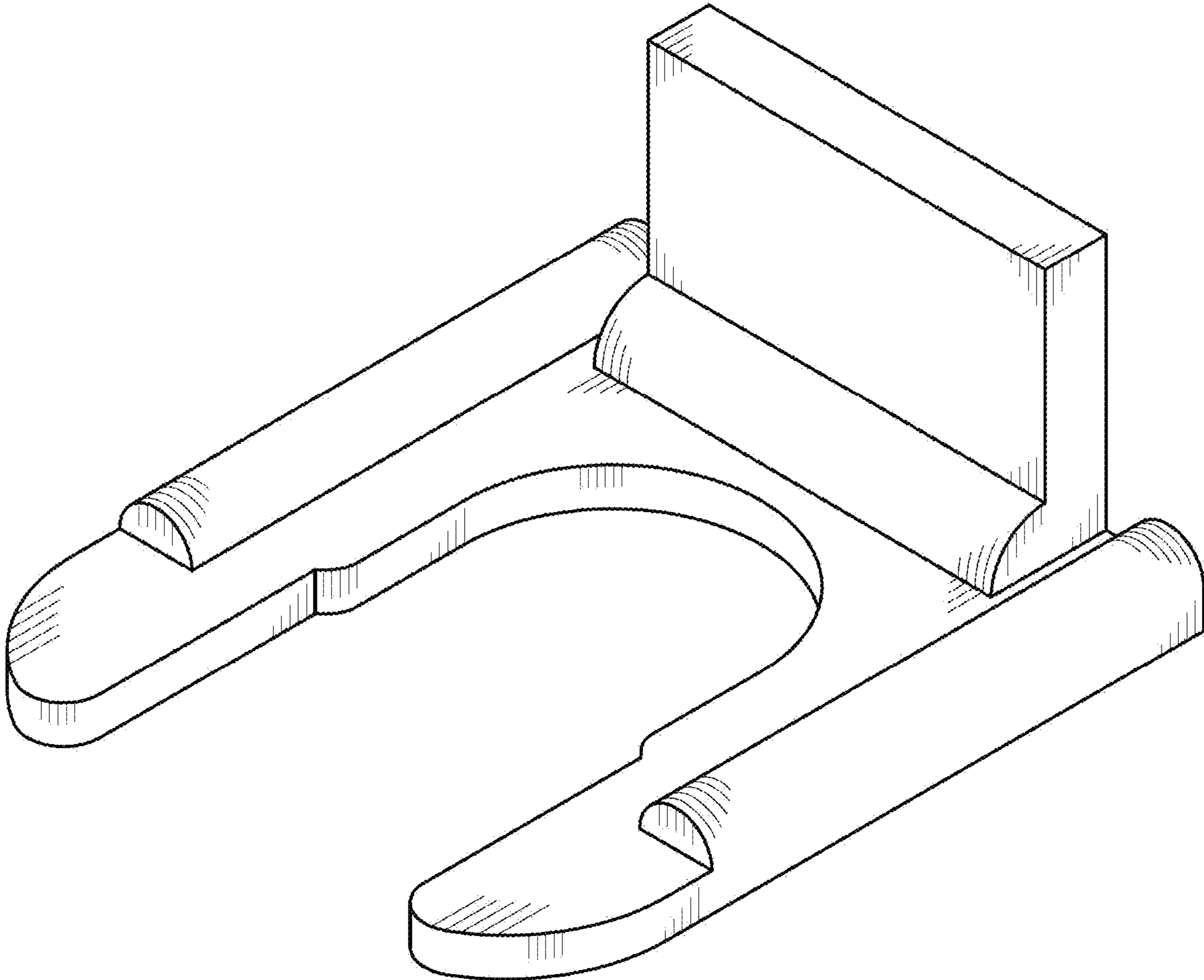


Fig. 1

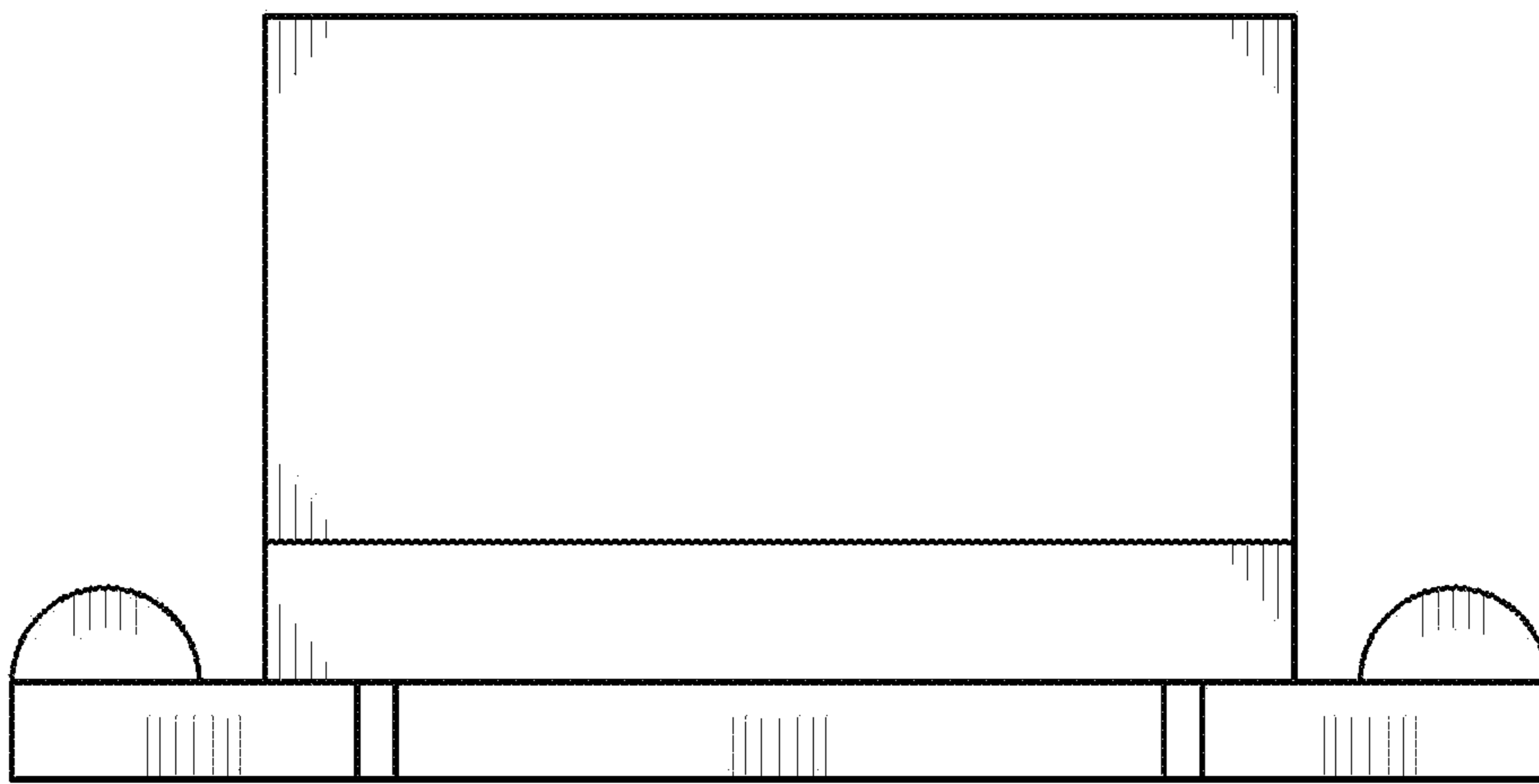


Fig. 2

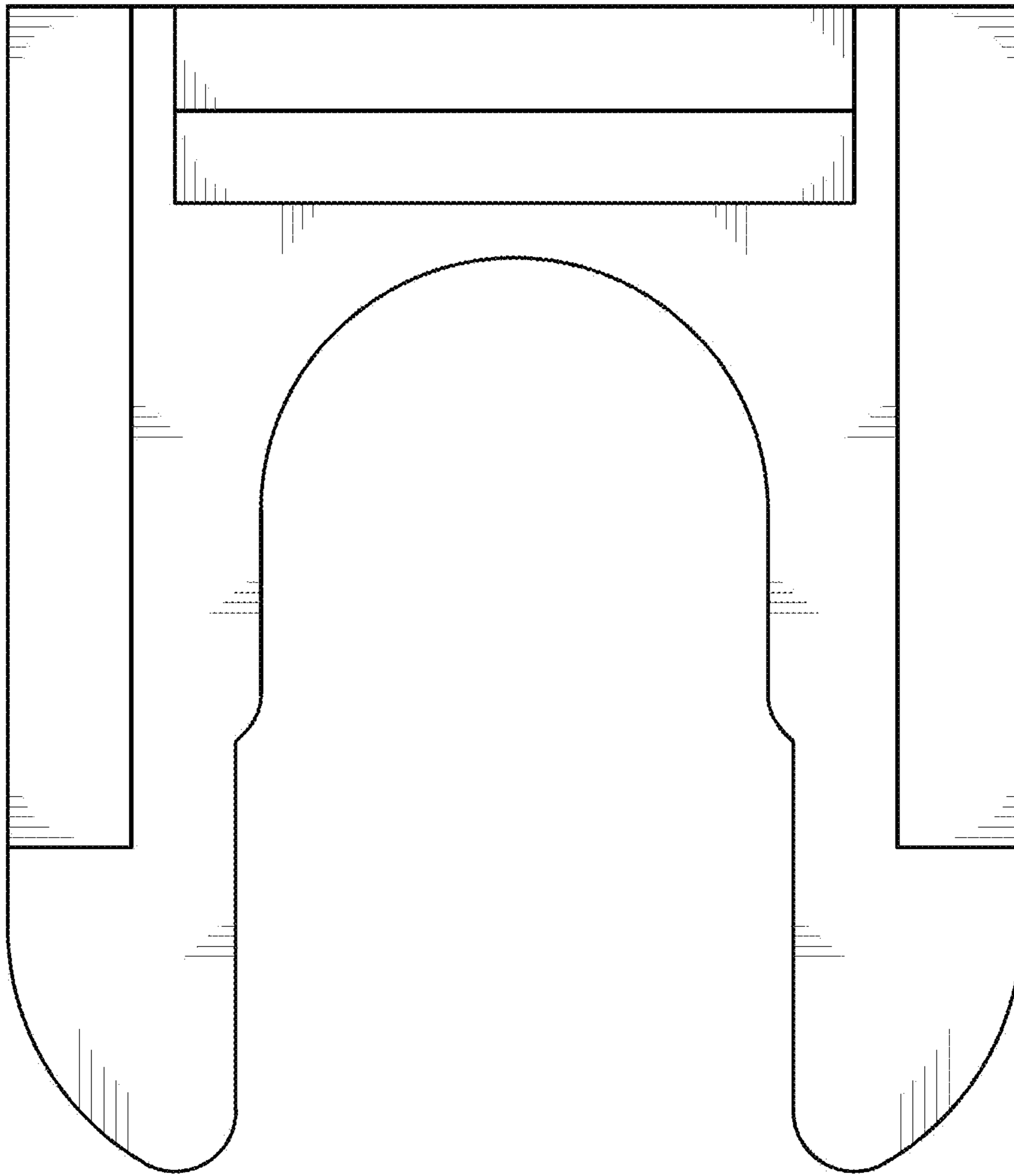


Fig. 3

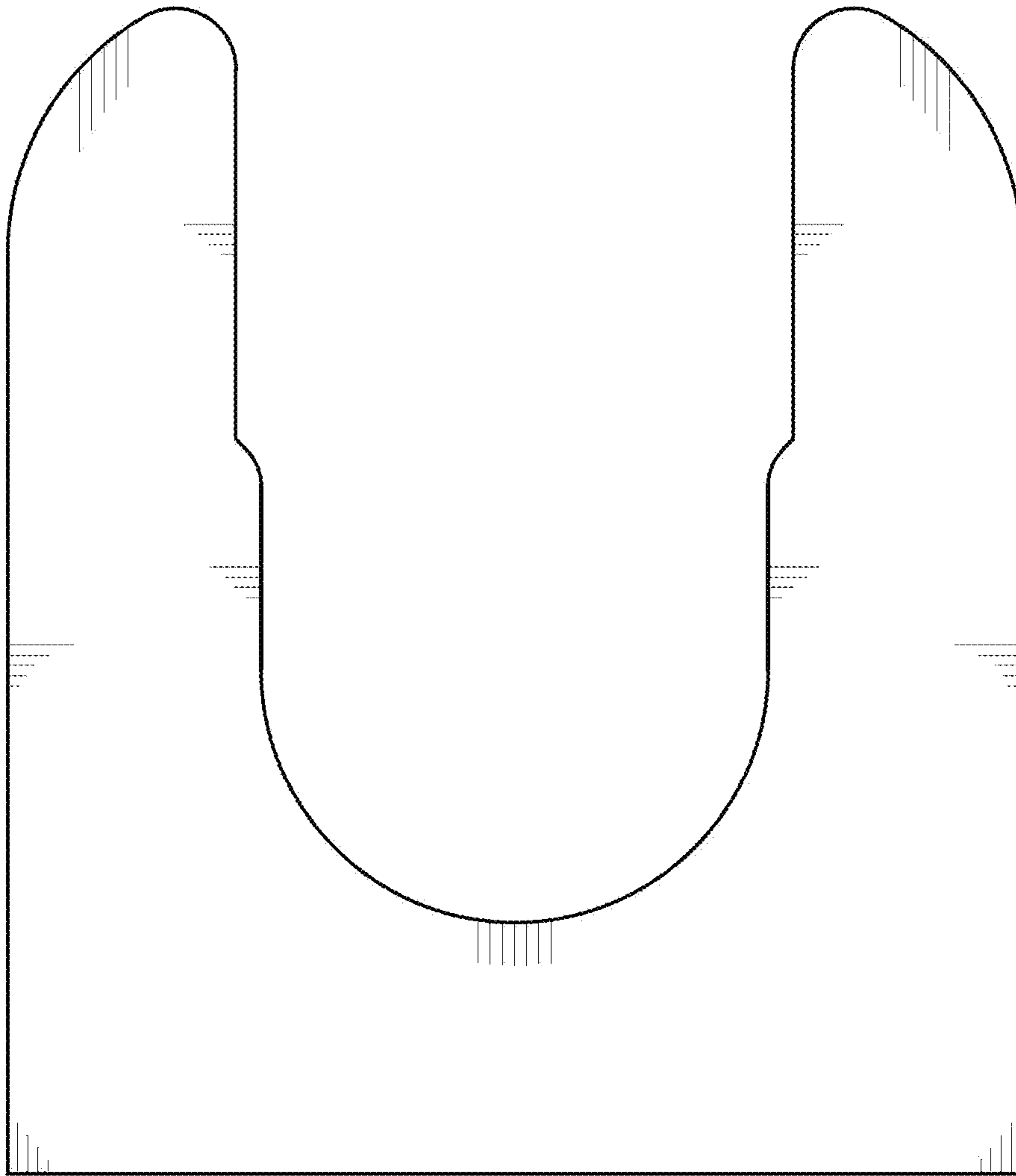


Fig. 4

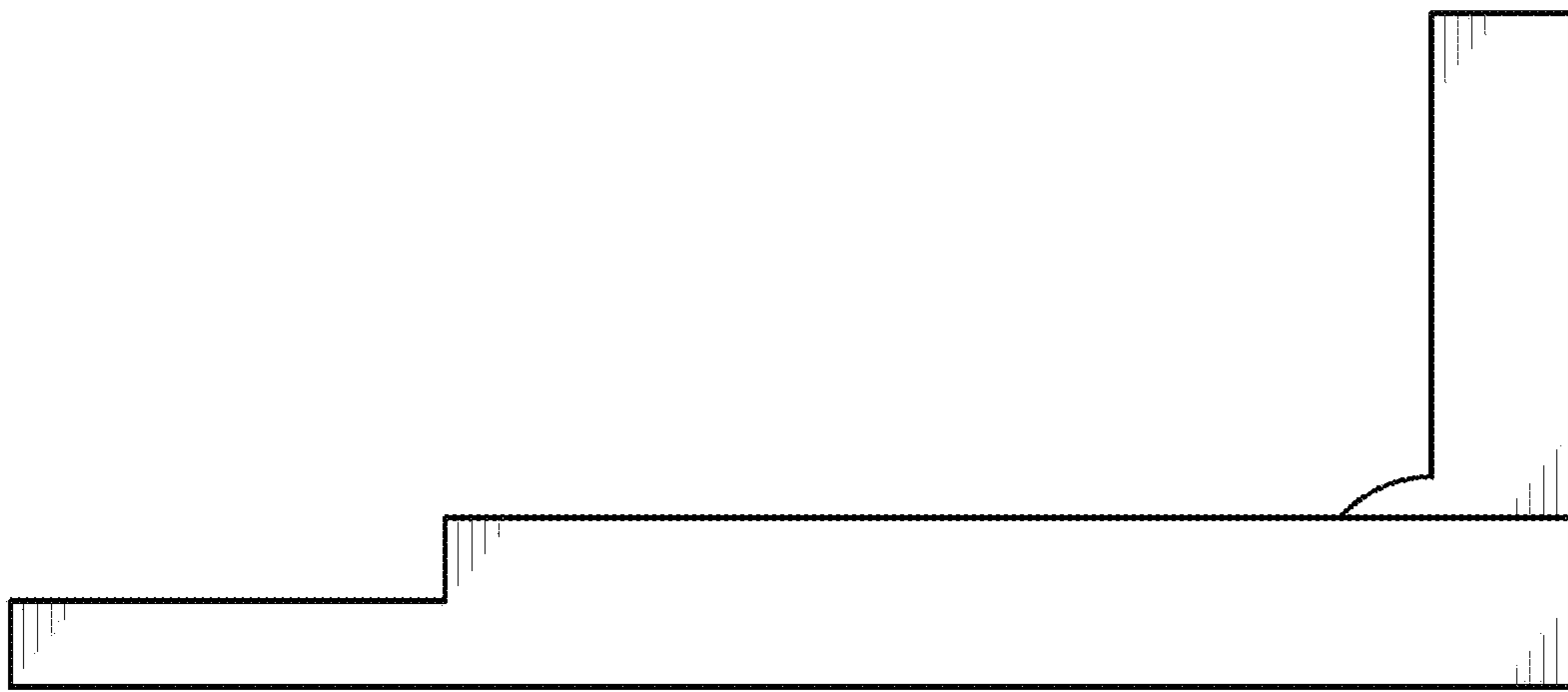


Fig. 5

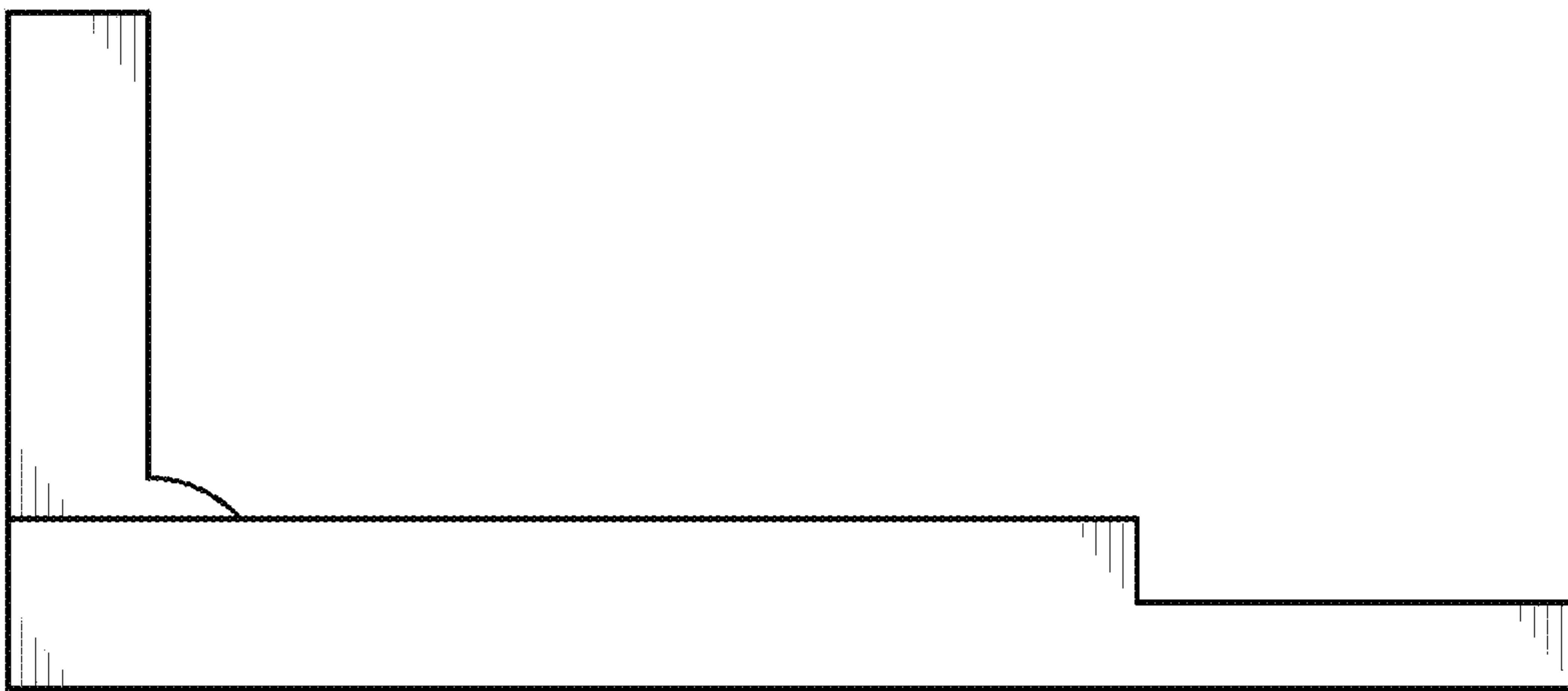


Fig. 6

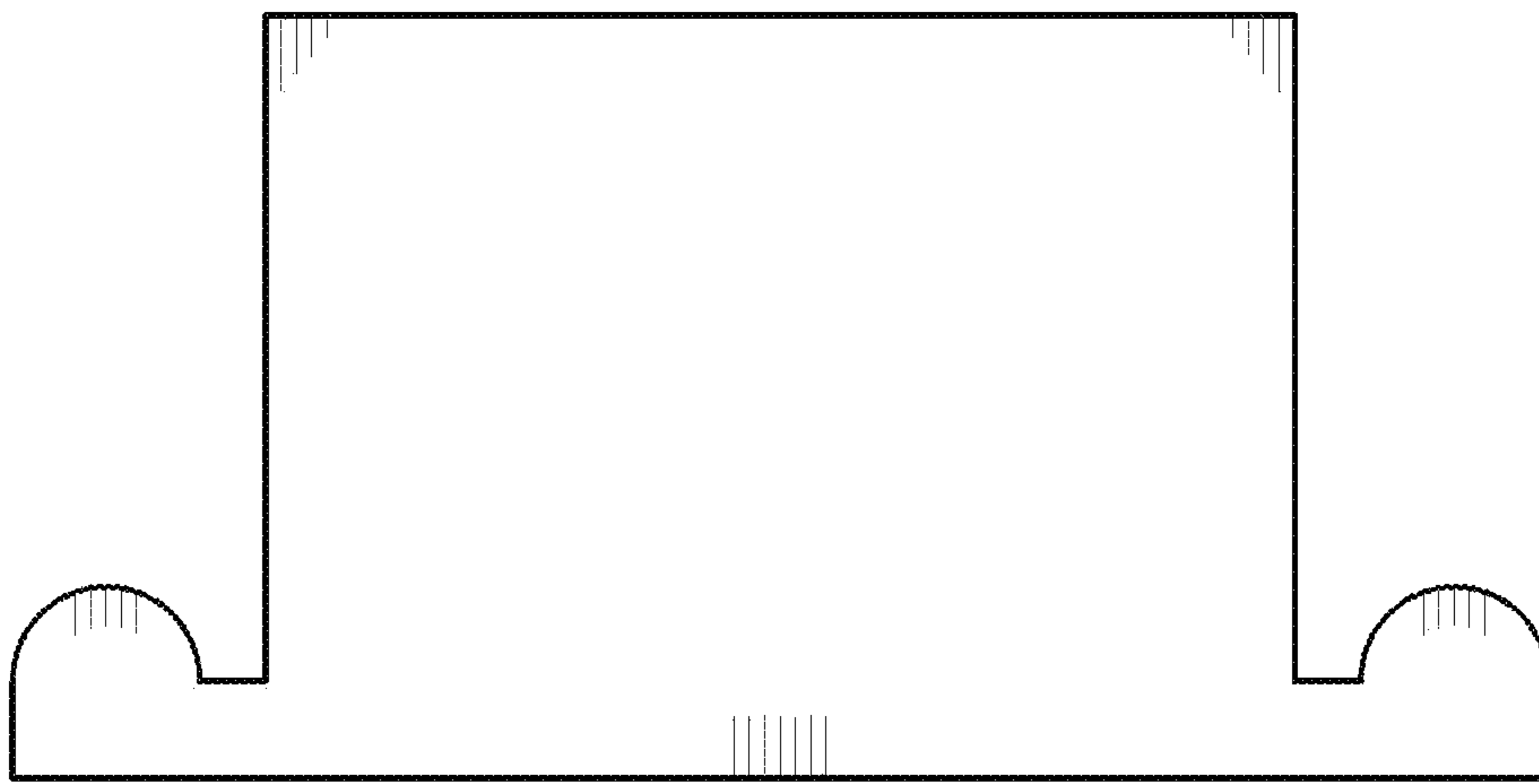


Fig. 7