

US00D892467S

(12) **United States Design Patent** (10) **Patent No.:** **US D892,467 S**  
**Yoo** (45) **Date of Patent:** **\*\* Aug. 11, 2020**

(54) **CAP WITH A SIZE ADJUSTING FASTENER**

(71) Applicant: **YUPOONG, INC.**, Seoul (KR)

(72) Inventor: **Heungsun Yoo**, Gimpo-si (KR)

(73) Assignee: **YUPOONG, INC.**, Seoul (KR)

(\*\*) Term: **15 Years**

(21) Appl. No.: **29/639,871**

(22) Filed: **Mar. 9, 2018**

(51) **LOC (12) Cl.** ..... **02-03**

(52) **U.S. Cl.**  
USPC ..... **D2/891**

(58) **Field of Classification Search**  
USPC ..... D2/865, 866, 869, 872, 874, 876, 877,  
D2/880, 881, 882, 884, 891, 895; D11/3,  
D11/6, 24, 200, 220  
CPC ..... A42B 1/00; A42B 1/002; A42B 1/004;  
A42B 1/006; A42B 1/02; A42B 1/062;  
A42B 1/064; A42B 1/205; A42B 1/22;  
A42B 1/24  
See application file for complete search history.

(56) **References Cited**

**U.S. PATENT DOCUMENTS**

D324,193 S \* 2/1992 Wen-Long ..... D11/200  
D342,595 S \* 12/1993 Day ..... D11/200  
D501,290 S \* 2/2005 Zuloff ..... D2/866  
D527,871 S \* 9/2006 Rogers ..... D2/882  
D770,148 S \* 11/2016 Hwang ..... D2/891  
D770,733 S \* 11/2016 Hwang ..... D2/891  
9,655,397 B2 \* 5/2017 Cho ..... A42B 1/22

D836,477 S \* 12/2018 Peng ..... D11/3  
2014/0101820 A1 \* 4/2014 Cho ..... A42B 1/22  
2/171  
2016/0278466 A1 \* 9/2016 Hwang ..... A42B 1/22  
2018/0153241 A1 \* 6/2018 Cho ..... A42B 1/24

\* cited by examiner

*Primary Examiner* — Jasmine Mlinarcik

(74) *Attorney, Agent, or Firm* — Lex IP Meister, PLLC

(57) **CLAIM**

The ornamental design for a cap with a size adjusting fastener, as shown and described.

**DESCRIPTION**

FIG. 1 is a perspective view of a cap with a size adjusting fastener showing my design;  
FIG. 2 is a front elevation view thereof;  
FIG. 3 is a back elevation view thereof;  
FIG. 4 is a left side elevation view thereof;  
FIG. 5 is a right side elevation view thereof;  
FIG. 6 is a top plan view thereof;  
FIG. 7 is a bottom plan view thereof;  
FIG. 8 is a top plan view of the cap with a size adjusting fastener secured together and removed from the cap of FIG. 1;  
FIG. 9 is a bottom plan view thereof;  
FIG. 10 is a top plan view of the cap with a size adjusting fastener separated and removed from the cap of FIG. 1; and,  
FIG. 11 is a bottom plan view thereof.  
The broken lines depict portions of the cap with a size adjusting fastener that form no part of the claimed design.

**1 Claim, 11 Drawing Sheets**

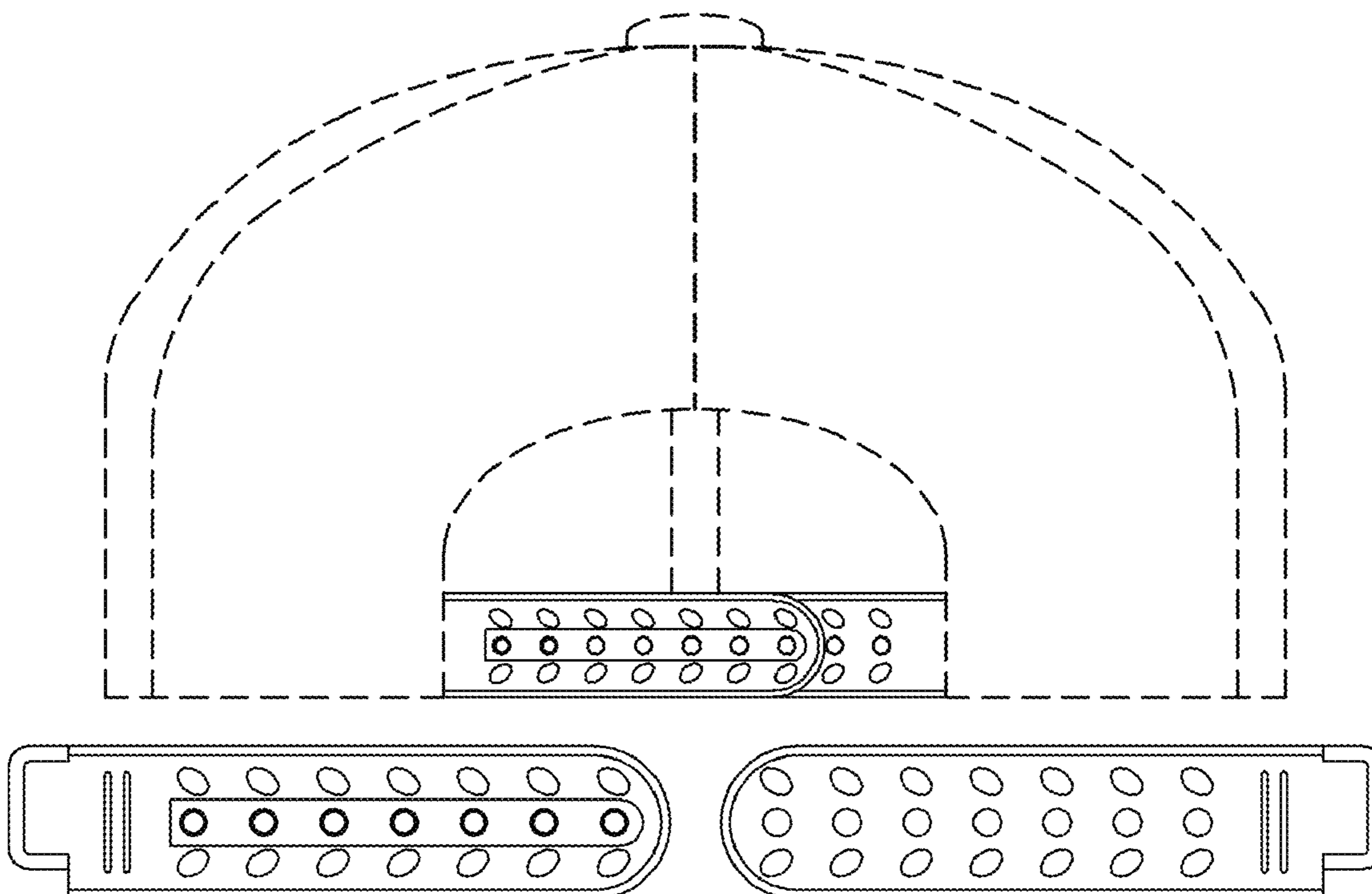


FIG. 1

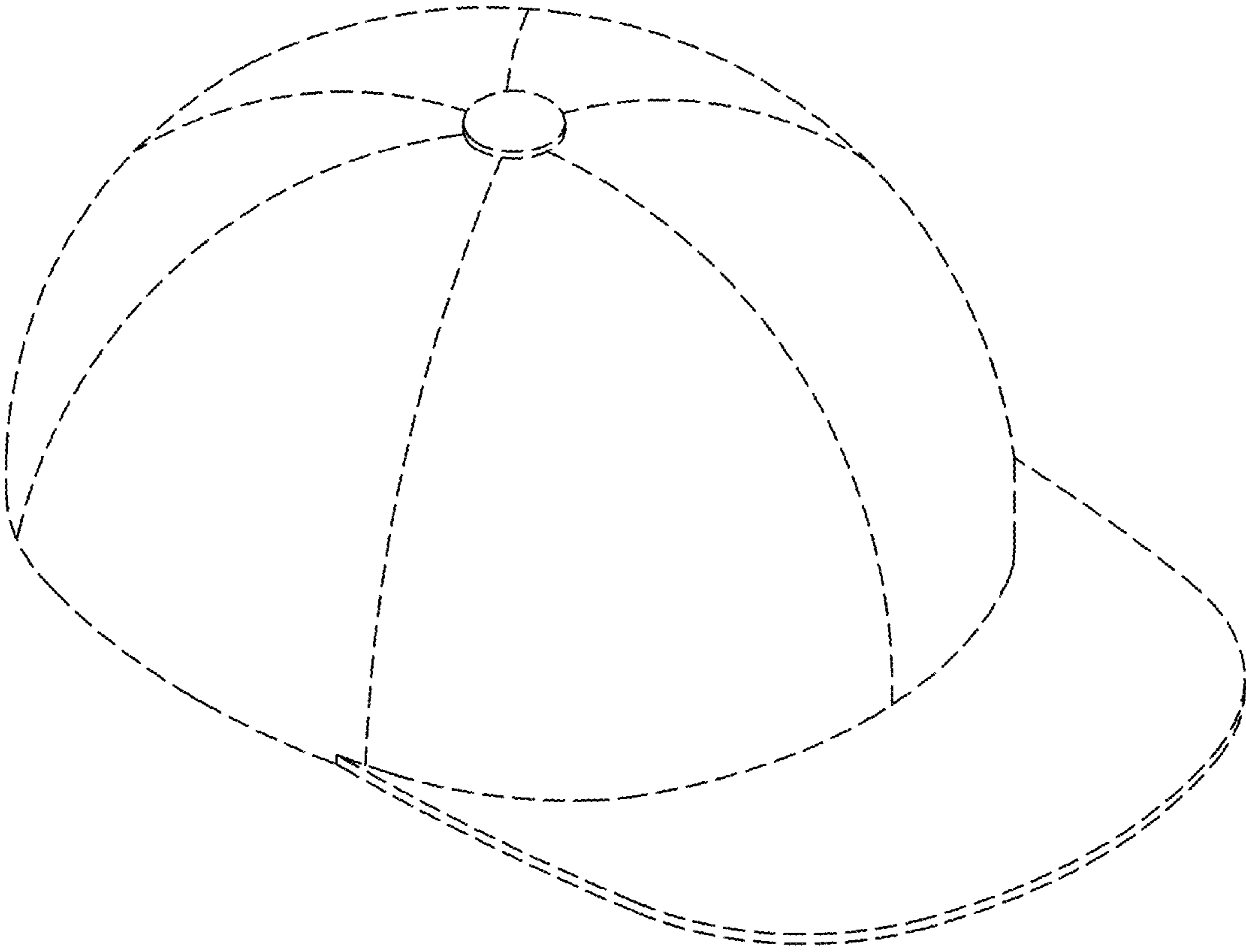


FIG. 2

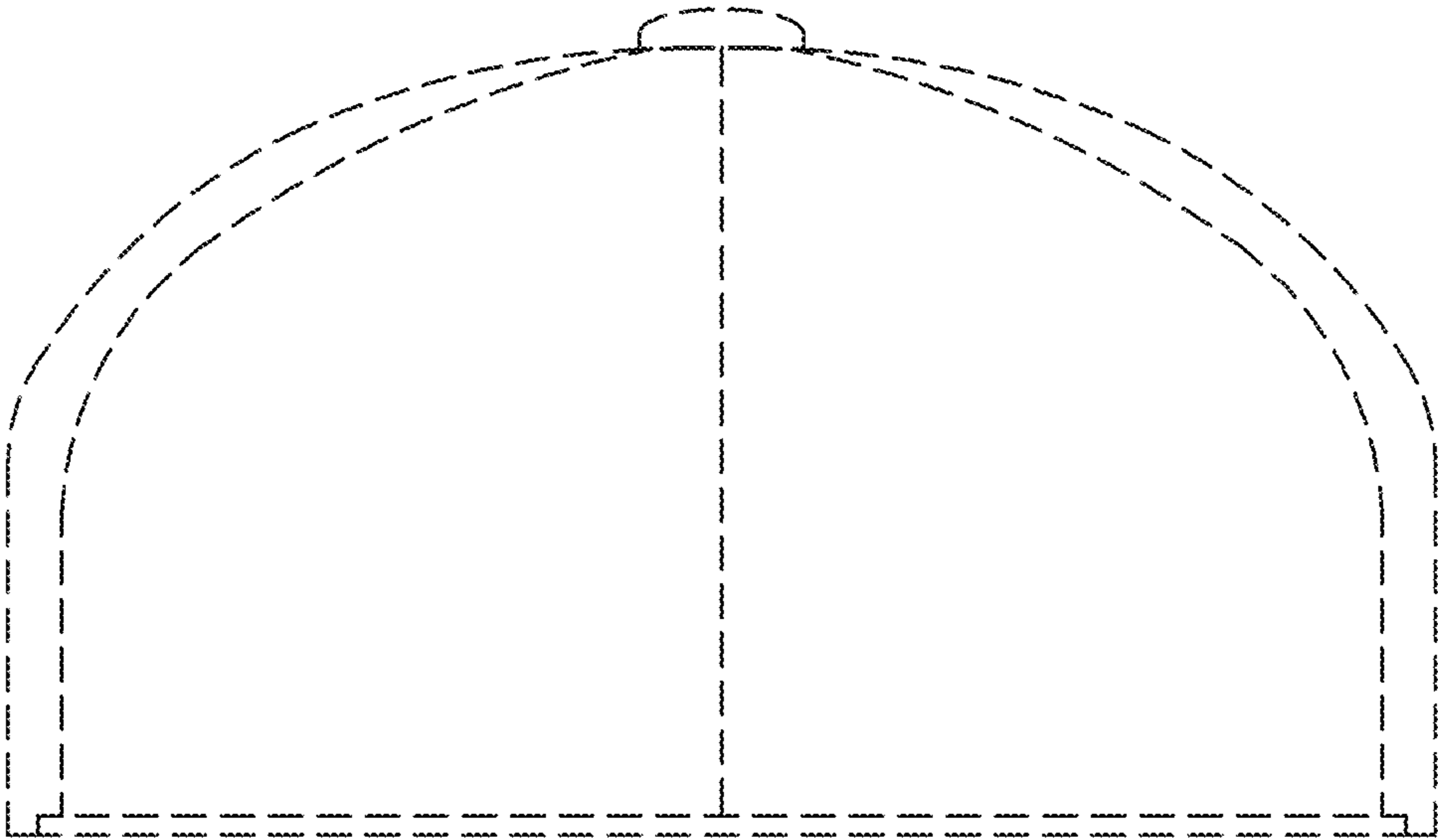


FIG. 3

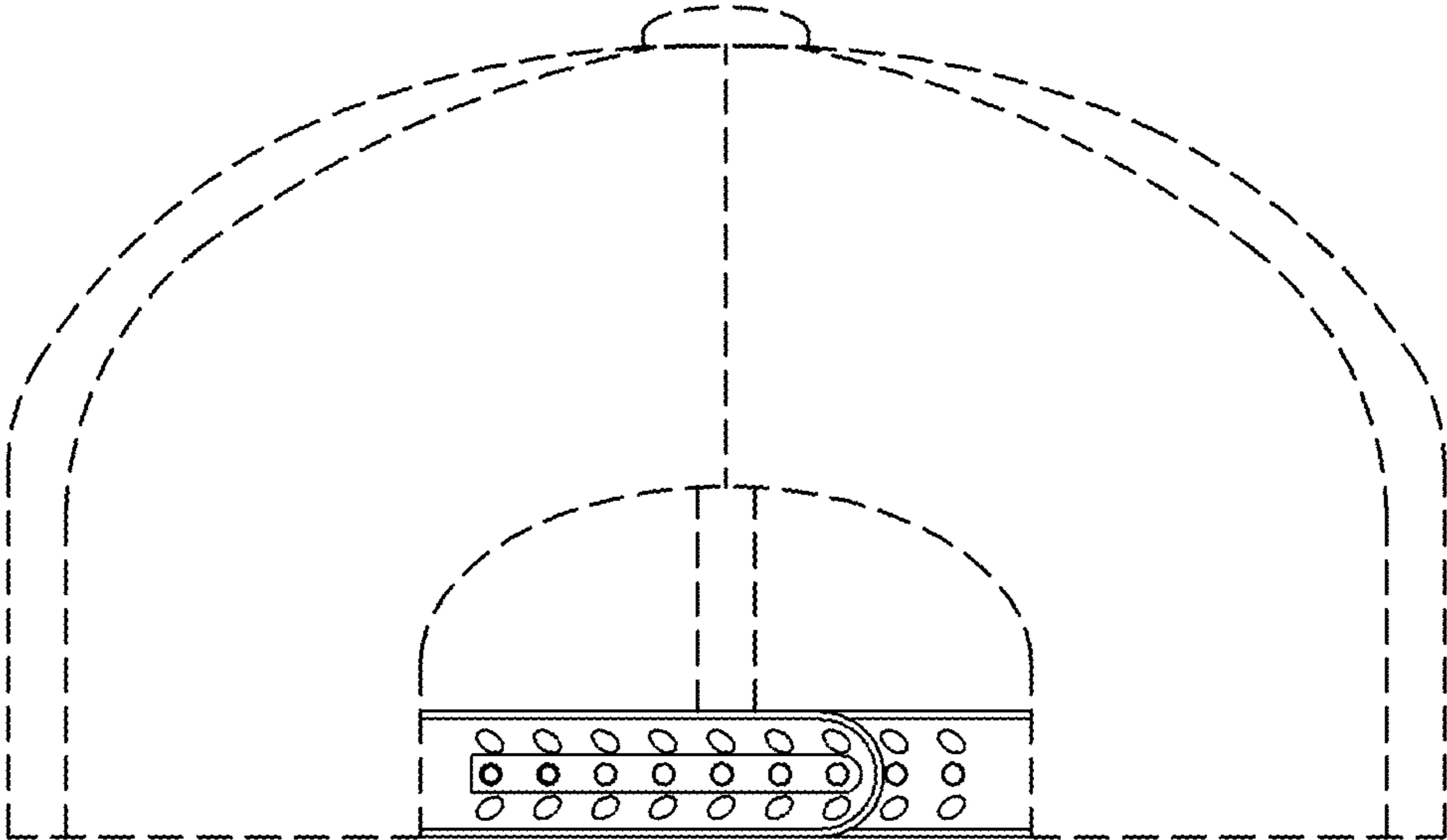


FIG. 4

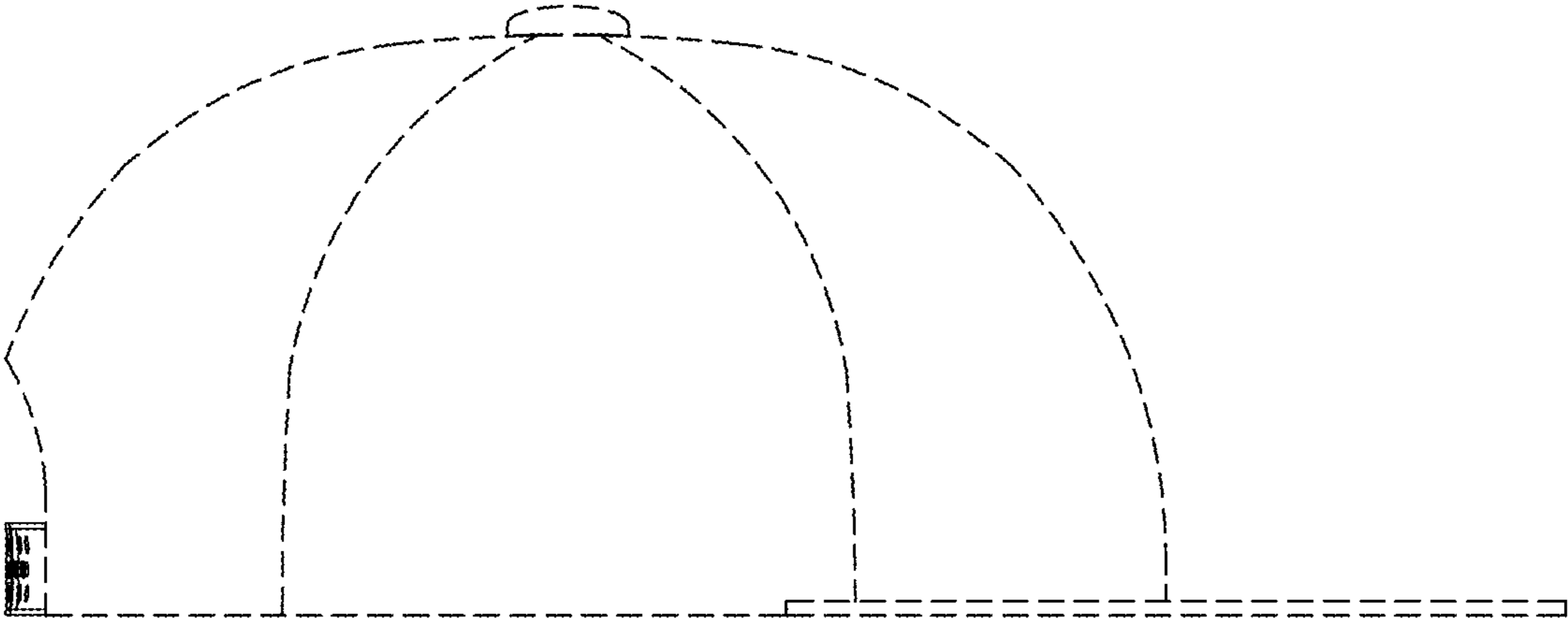


FIG. 5

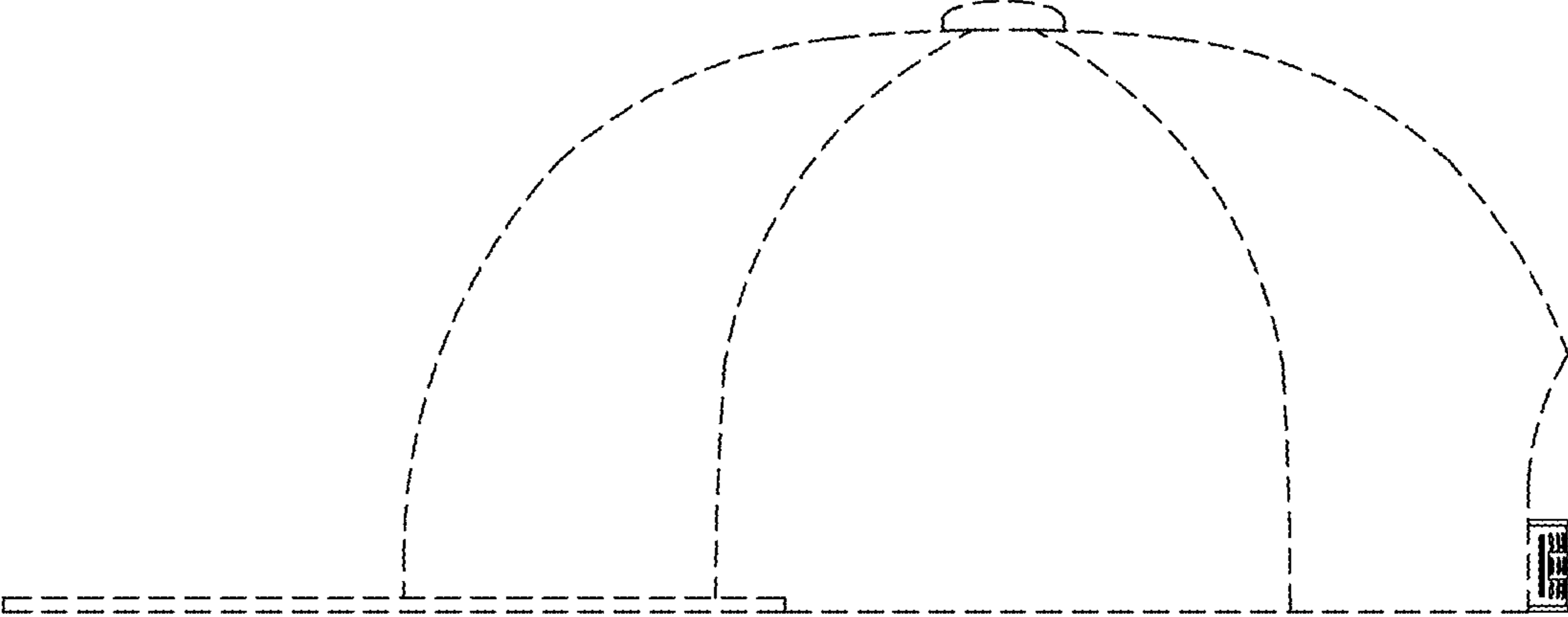


FIG. 6

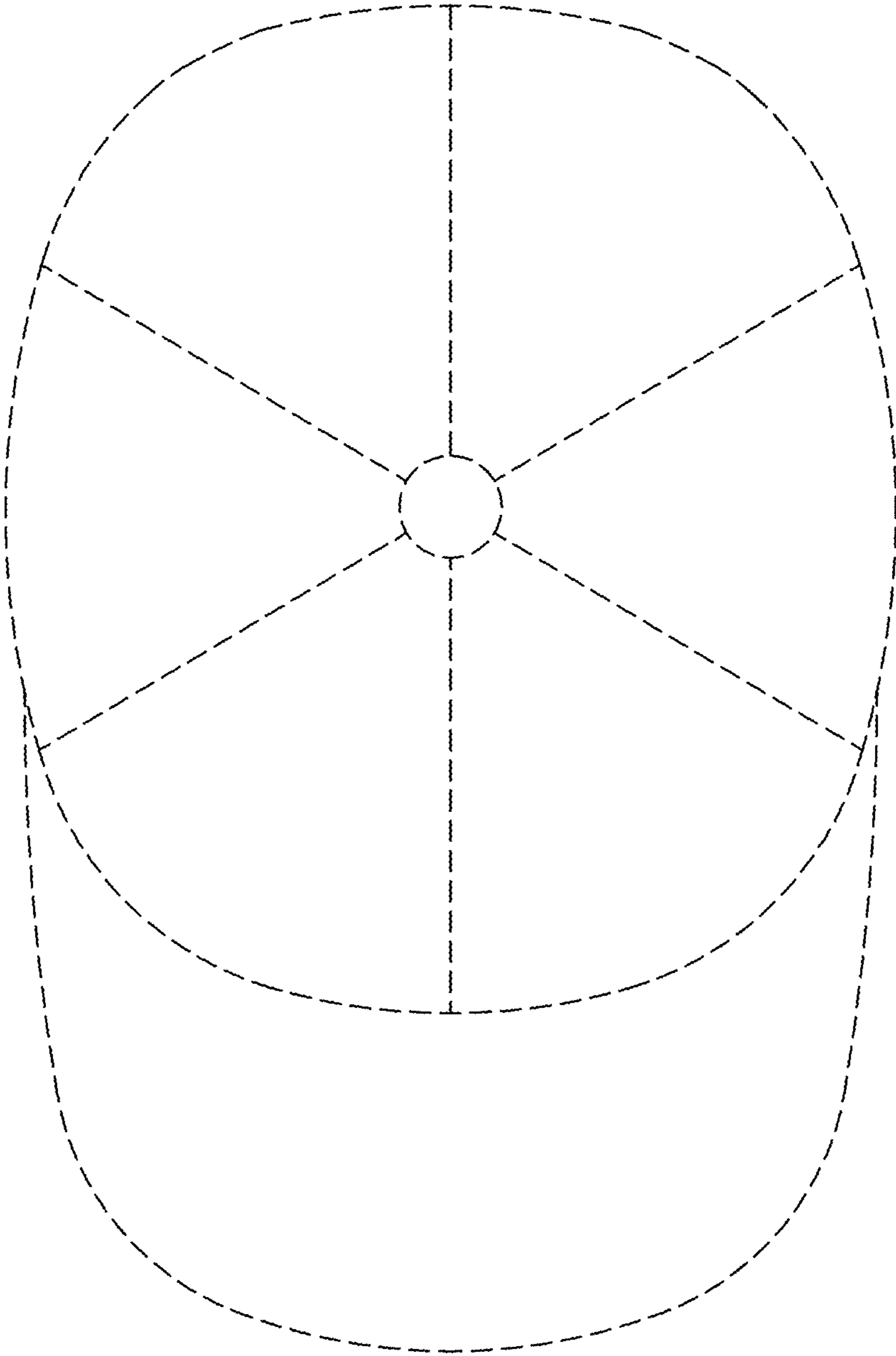


FIG. 7

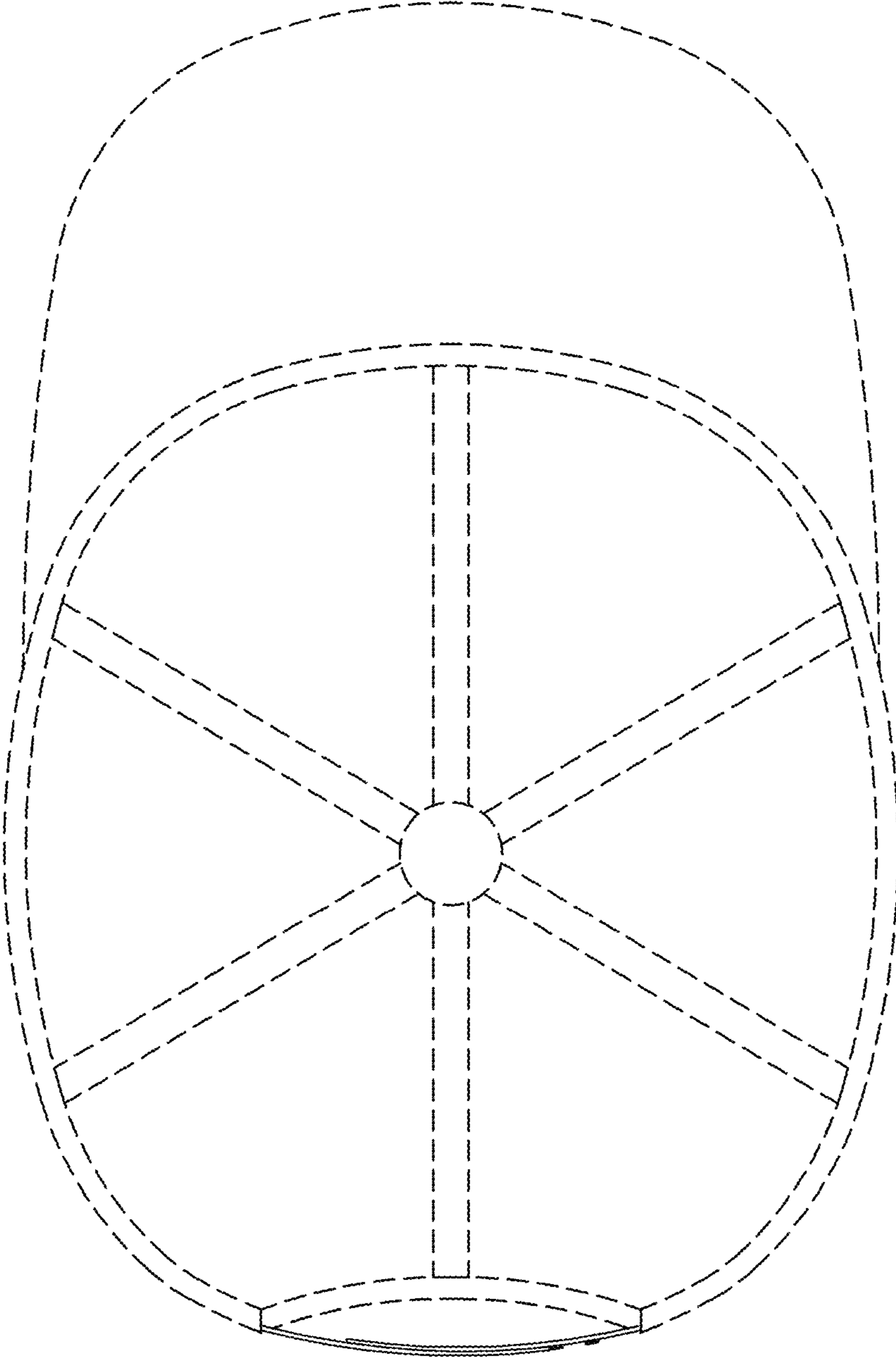




FIG. 8

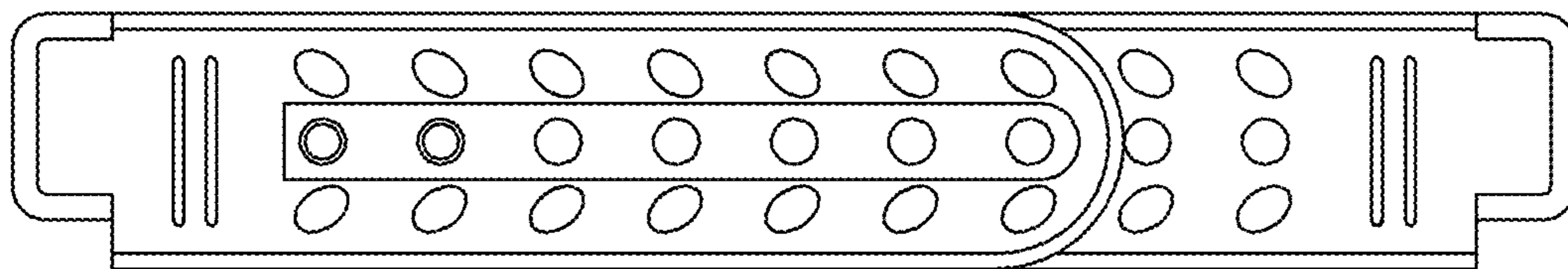


FIG. 9

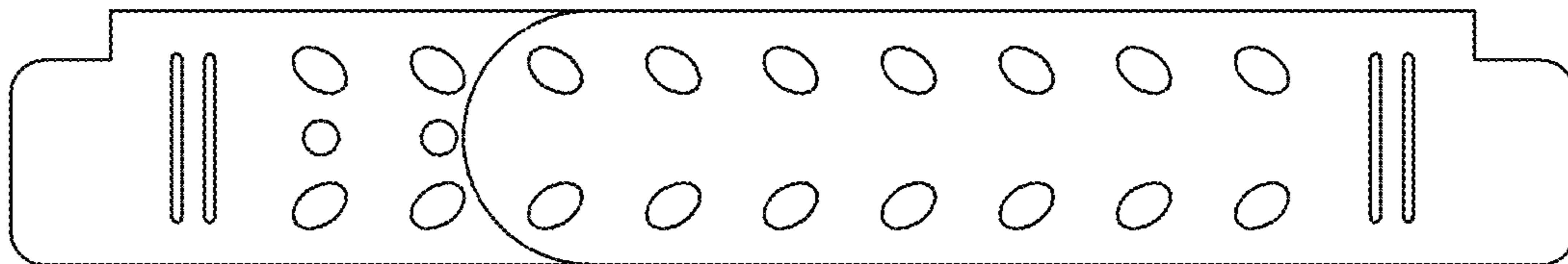


FIG. 10

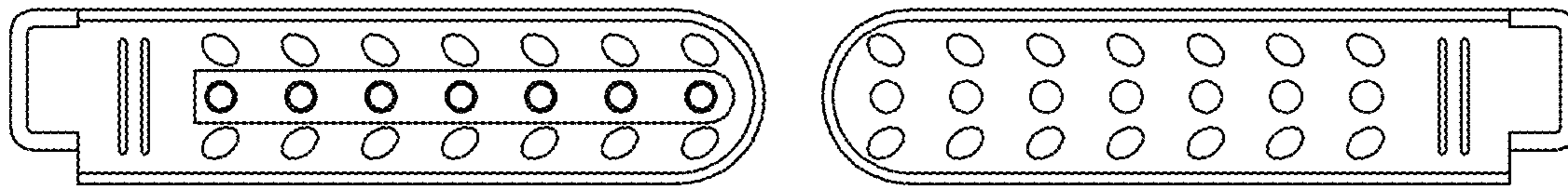


FIG. 11

