



US00D892465S

(12) **United States Design Patent**
Cutone

(10) **Patent No.:** **US D892,465 S**

(45) **Date of Patent:** **** Aug. 11, 2020**

(54) **NECK COVER WITH A POCKET**

(71) Applicant: **Siobhan Cutone**, Redmond, WA (US)

(72) Inventor: **Siobhan Cutone**, Redmond, WA (US)

(**) Term: **15 Years**

(21) Appl. No.: **29/623,020**

(22) Filed: **Oct. 20, 2017**

(51) **LOC (12) Cl.** **02-03**

(52) **U.S. Cl.**
USPC **D2/891**

(58) **Field of Classification Search**

USPC D2/500, 502, 600, 865, 866, 867, 868,
D2/870, 873, 878, 879, 880, 881, 883,
D2/891, 893, 894; D28/39; D29/104,
D29/106, 108, 122

CPC A41D 23/00; A42B 1/00; A42B 1/006;
A42B 1/008; A42B 1/02; A42B 1/04;
A42B 1/046; A42B 1/06; A42B 1/061;
A42B 1/064; A42B 1/066; A42B 1/067;
A42B 1/08; A42B 1/18; A42B 5/00;
A42C 5/00; A42C 5/04

See application file for complete search history.

(56) **References Cited**

U.S. PATENT DOCUMENTS

4,378,606	A *	4/1983	Snowden	A42B 1/041 2/200.1
5,081,717	A *	1/1992	Shedd	A42B 1/067 2/174
5,249,308	A *	10/1993	Blume	A45D 20/20 2/174
D385,658	S *	10/1997	Brandenburg	D2/883
5,694,648	A *	12/1997	Nucifora	A42B 1/045 2/172
6,802,083	B2 *	10/2004	Yan	A42B 1/241 2/175.6
6,857,134	B1 *	2/2005	Cowell	A42C 5/04 2/209.13

(Continued)

Primary Examiner — Jasmine Mlinarcik

(74) *Attorney, Agent, or Firm* — Lee & Hayes, P.C.

(57) **CLAIM**

The ornamental design for a neck cover with a pocket, as shown and described.

DESCRIPTION

FIG. 1 is a perspective view of a neck cover with a pocket. FIG. 2 is a front elevation view of the neck cover with a pocket.

FIG. 3 is a back elevation view of the neck cover with a pocket.

FIG. 4 is a left side elevation view of the neck cover with a pocket.

FIG. 5 is a right side elevation view of the neck cover with a pocket.

FIG. 6 is a top plan view of the neck cover with a pocket.

FIG. 7 is a bottom plan view of the neck cover with a pocket.

FIG. 8 is a front elevation view of the neck cover with a pocket attached to a hat.

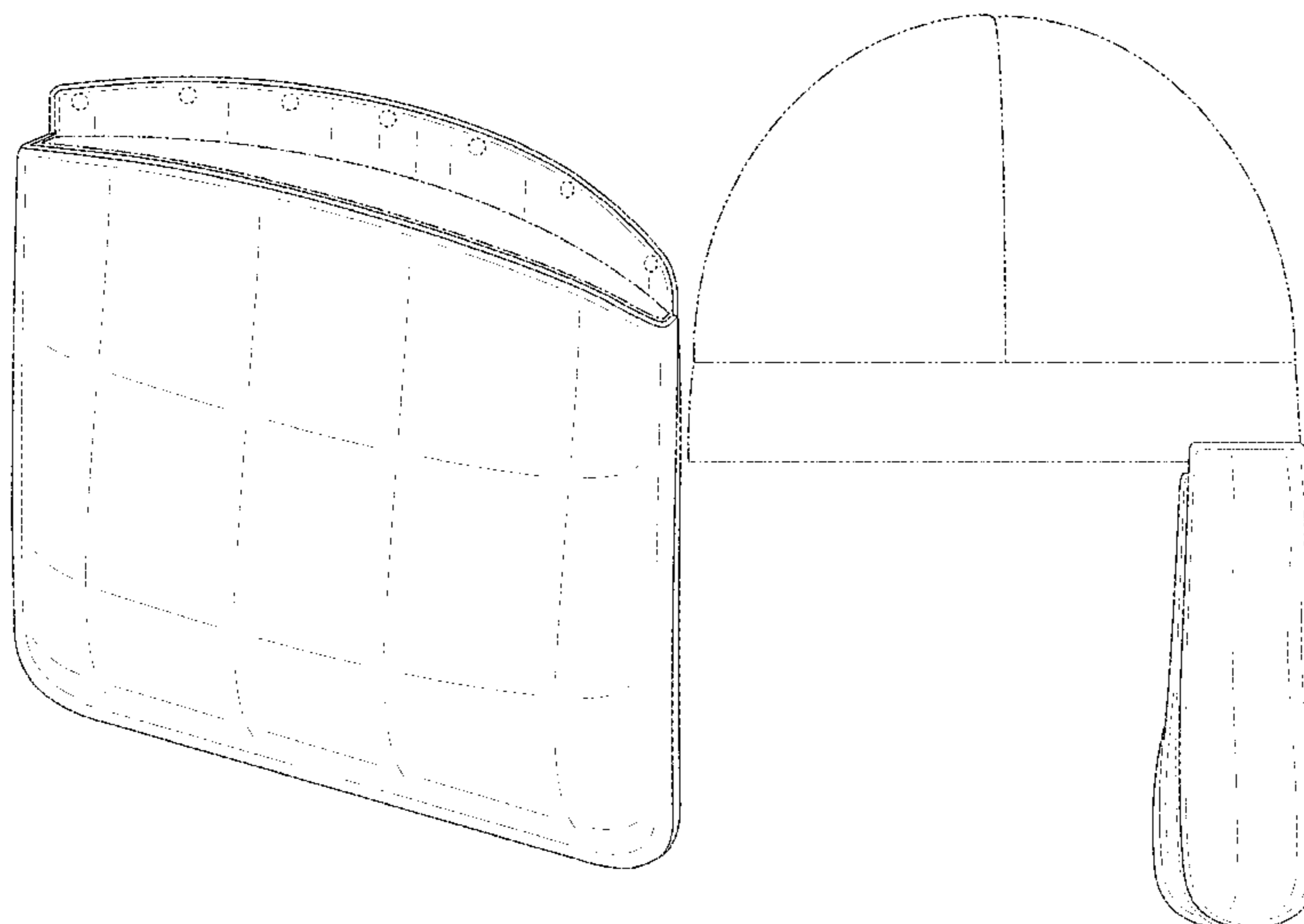
FIG. 9 is a back elevation view of the neck cover with a pocket attached to a hat.

FIG. 10 is a left side elevation view of the neck cover with a pocket attached to a hat; and,

FIG. 11 is a right side elevation view of the neck cover with a pocket attached to a hat.

The dot-dash lines define the bounds of the claimed design and forms no part of the claimed design. The claimed design extends to the dot-dash boundary line. The dot-dot-dash lines in FIGS. 8-11 illustrate the environment of the neck cover with a pocket and form no part of the claimed design. The dash-dash lines depict portions of the neck cover with a pocket that form no part of the claimed design.

1 Claim, 11 Drawing Sheets



(56)

References Cited

U.S. PATENT DOCUMENTS

D762,351 S *	8/2016	Lickteig	D2/891
9,743,699 B2 *	8/2017	Peterson	A42B 1/067
10,314,351 B2 *	6/2019	Stevenson	A41D 20/005
2008/0092264 A1 *	4/2008	Bradford	A45D 44/08
			2/50
2012/0317699 A1 *	12/2012	Barr	A42B 1/067
			2/209.13
2016/0128411 A1 *	5/2016	Ayres	A42B 1/241
			2/172

* cited by examiner

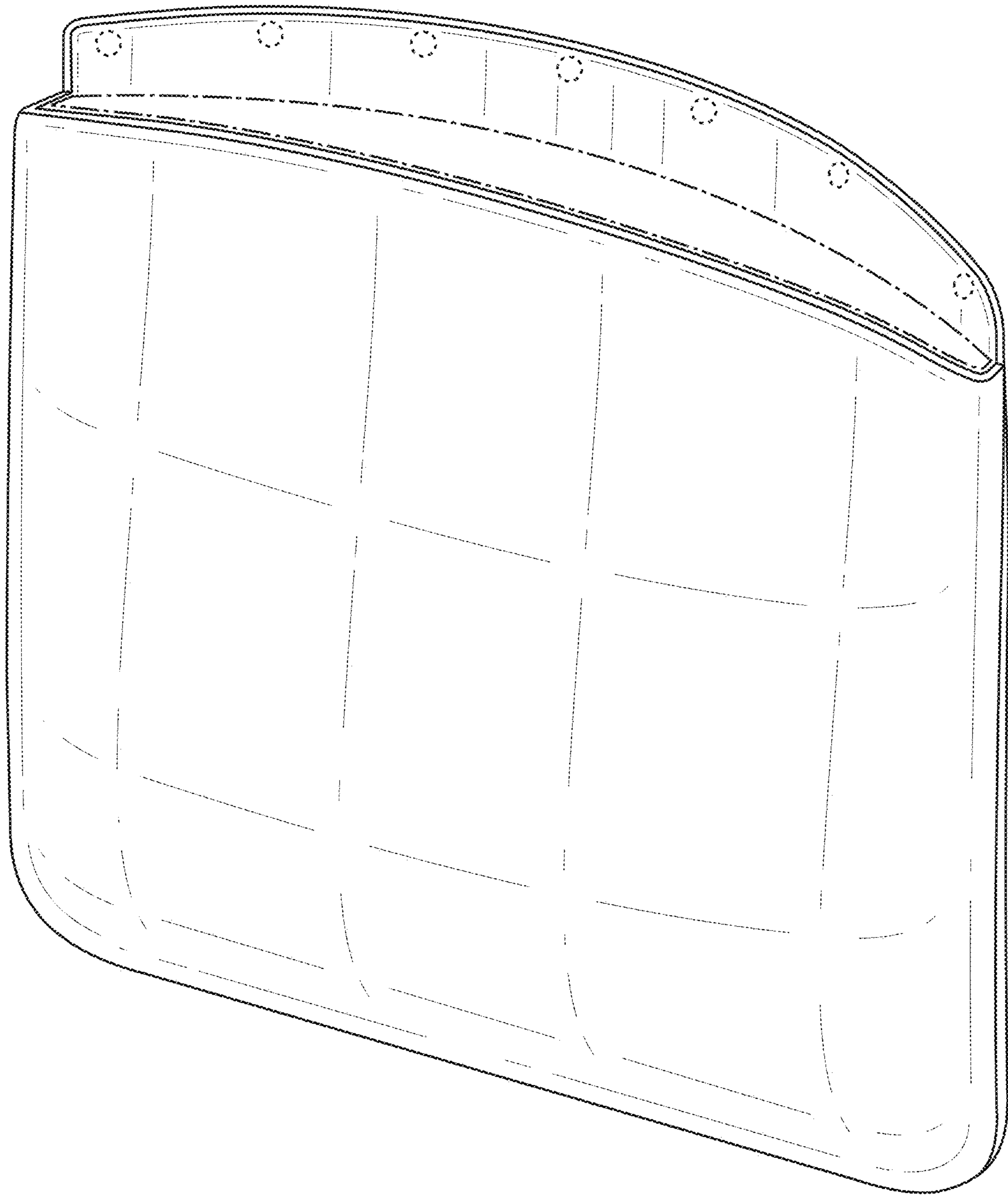


FIG. 1

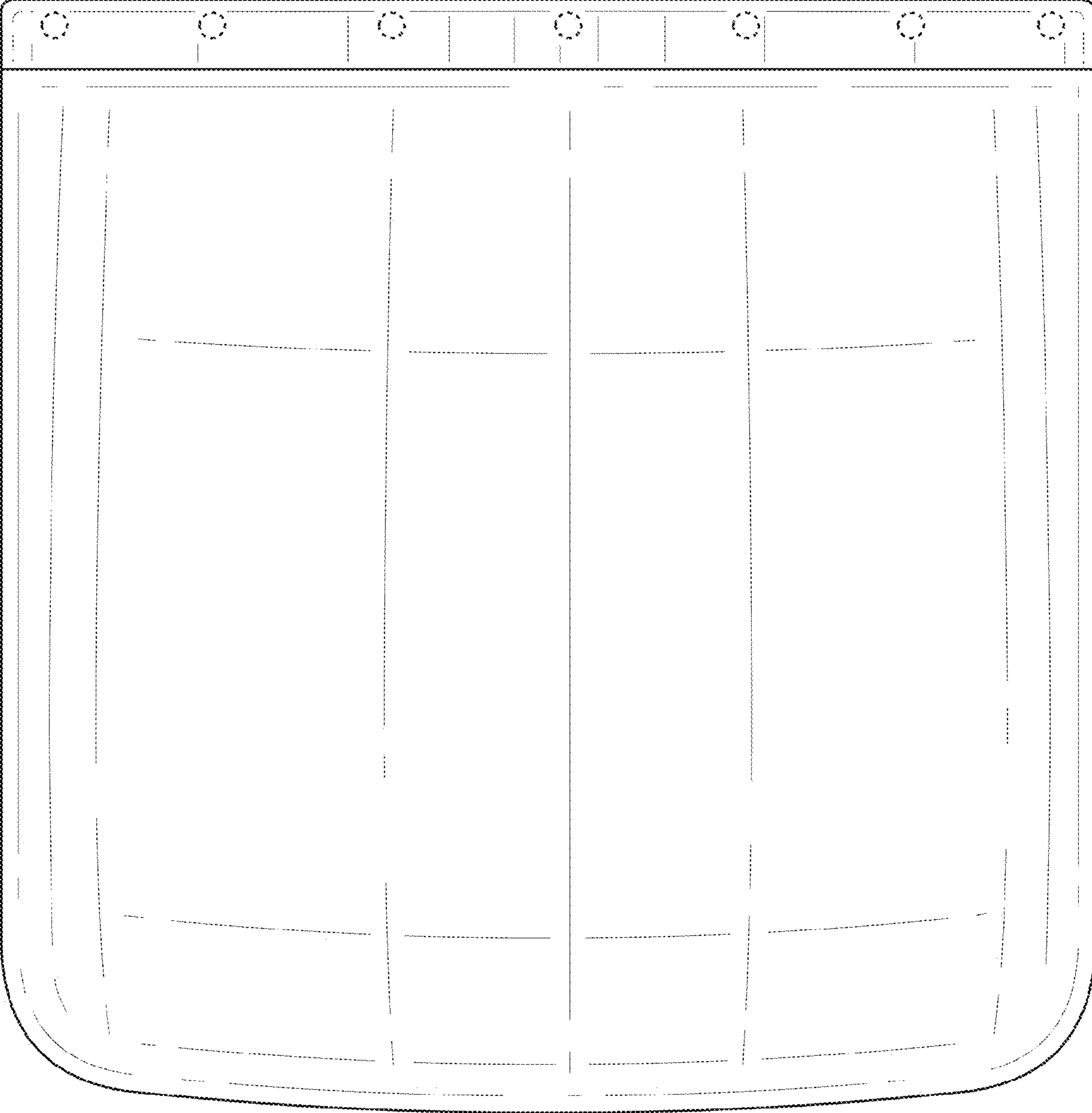


FIG. 2

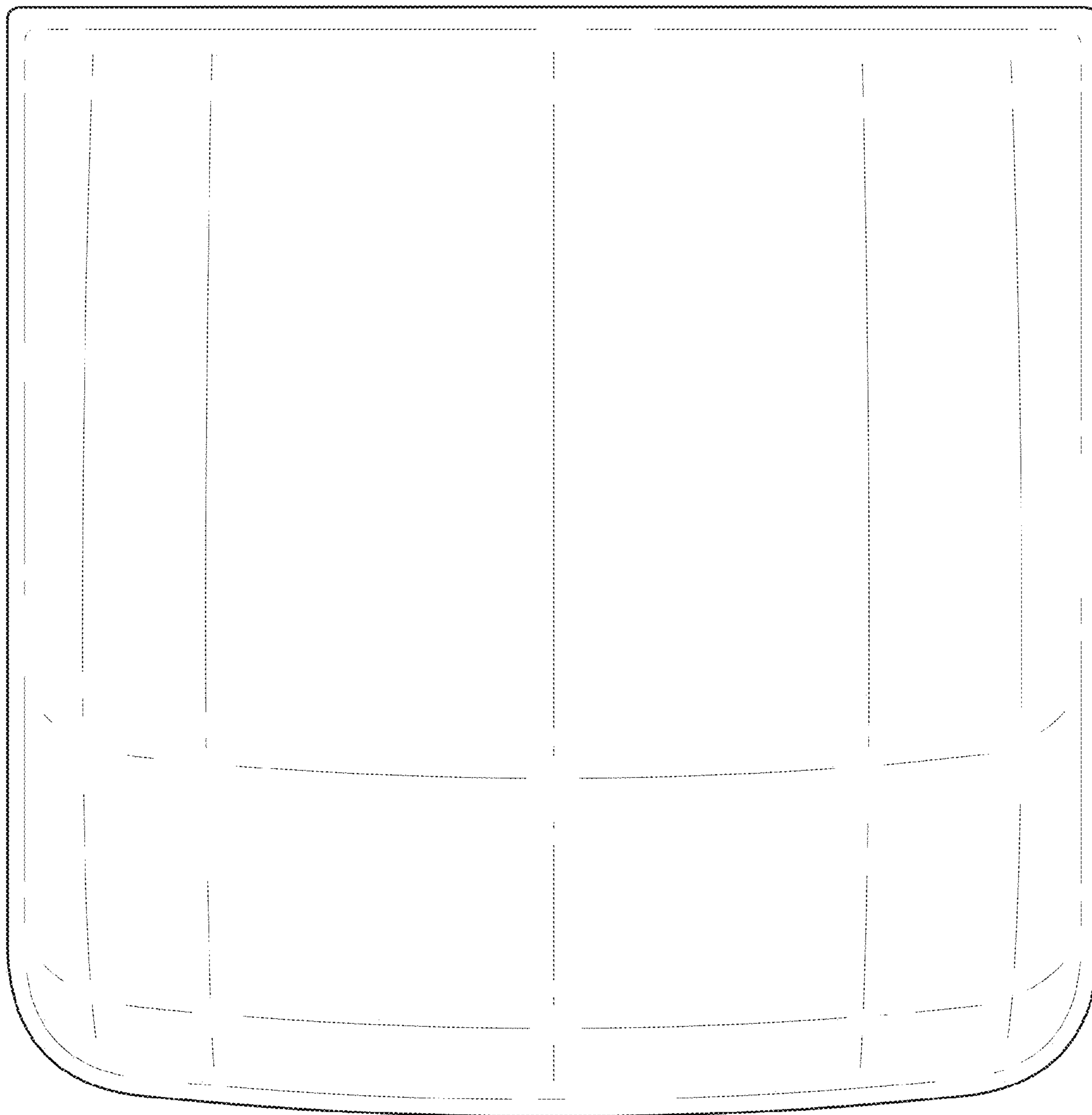


FIG. 3

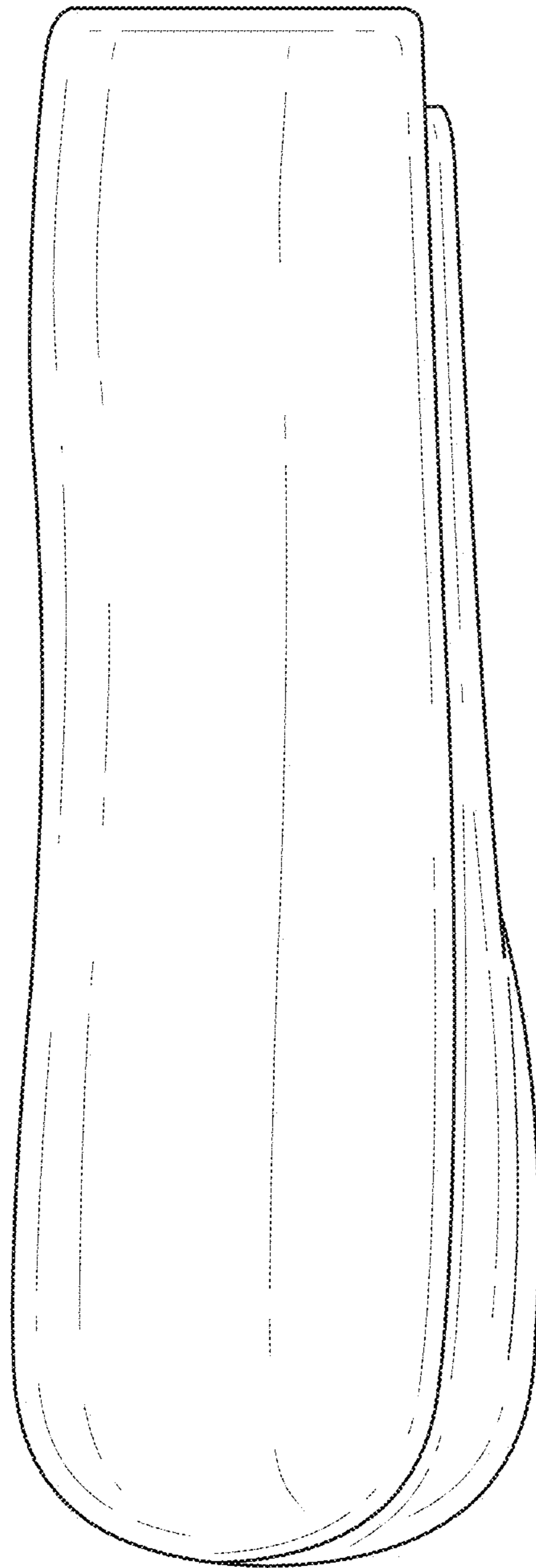


FIG. 4

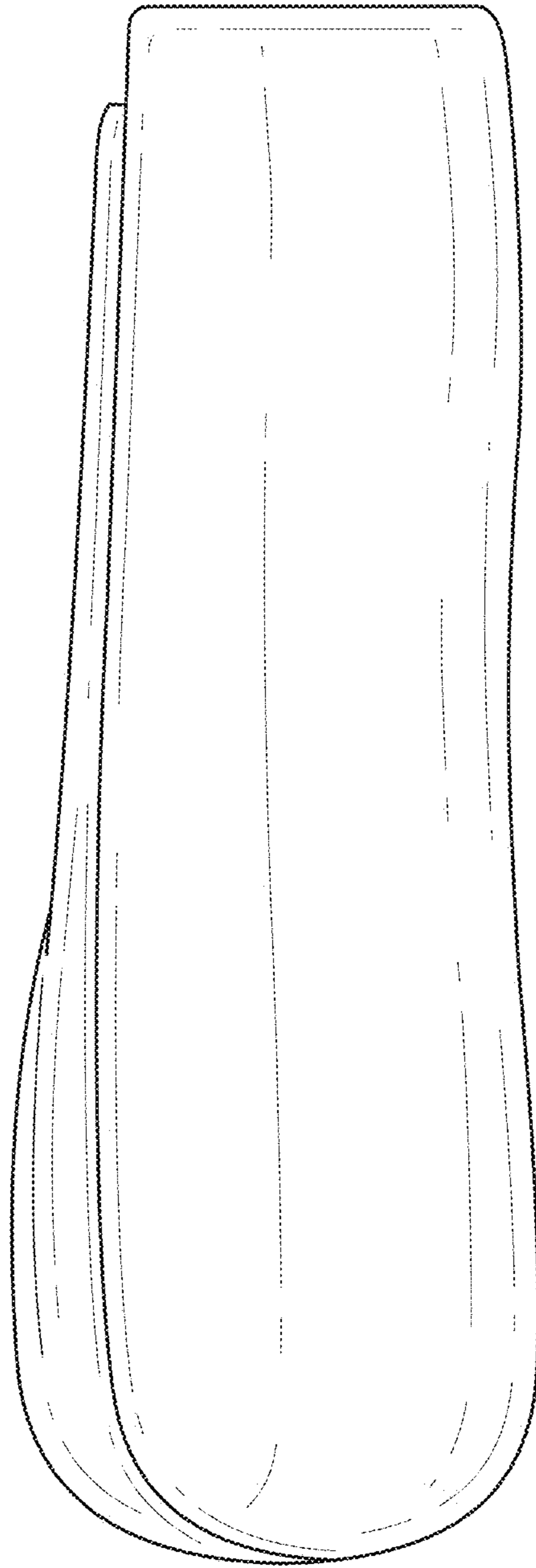


FIG. 5

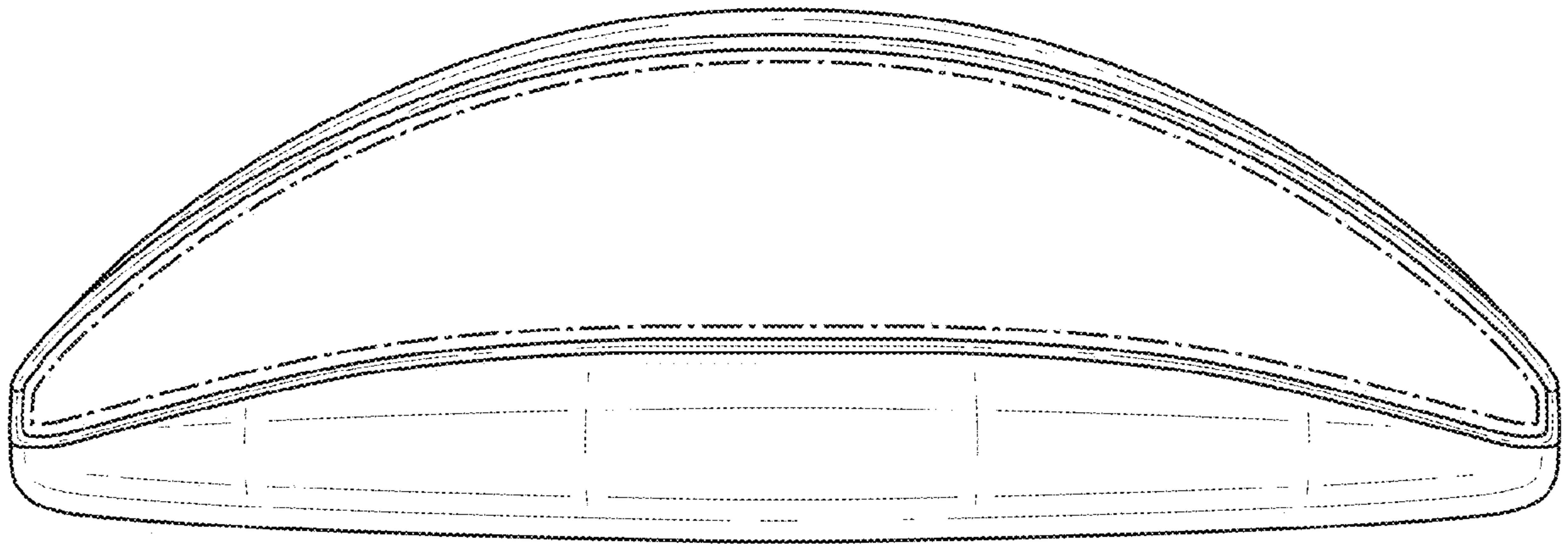


FIG. 6

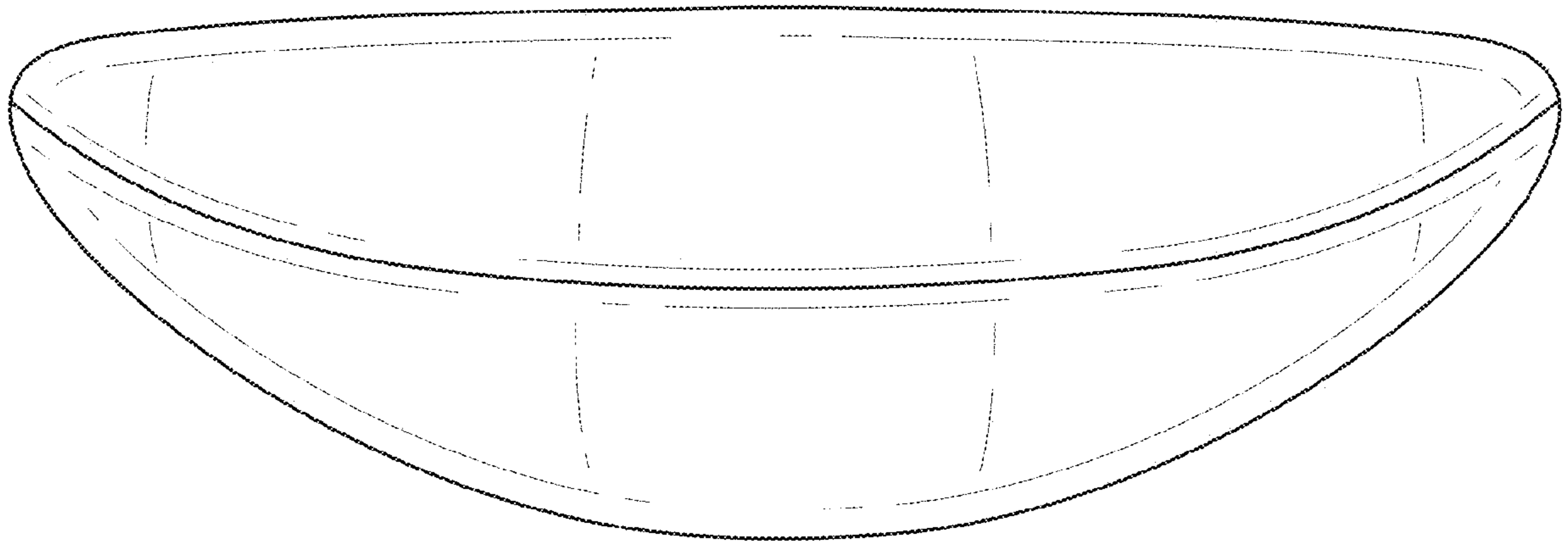


FIG. 7

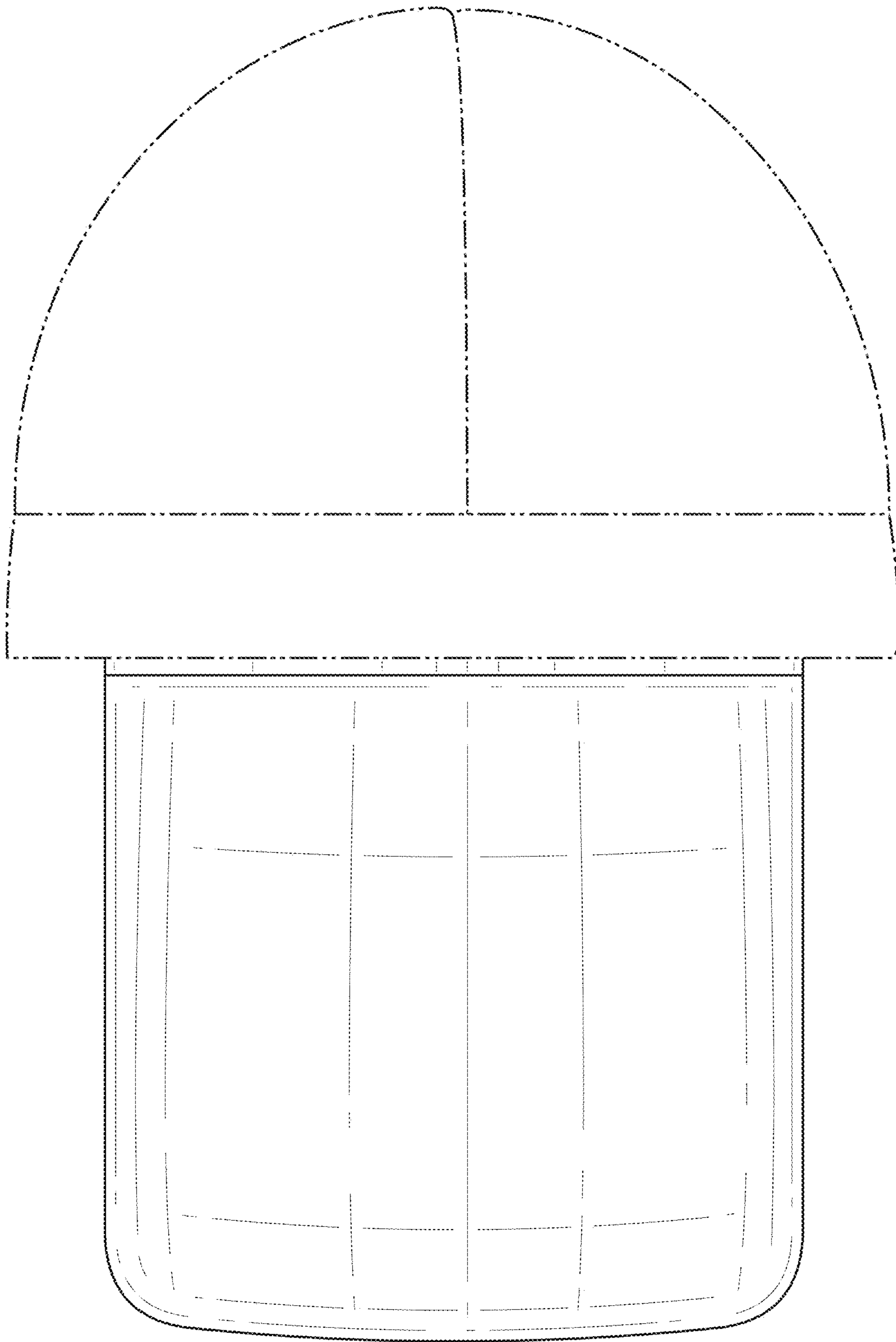


FIG. 8

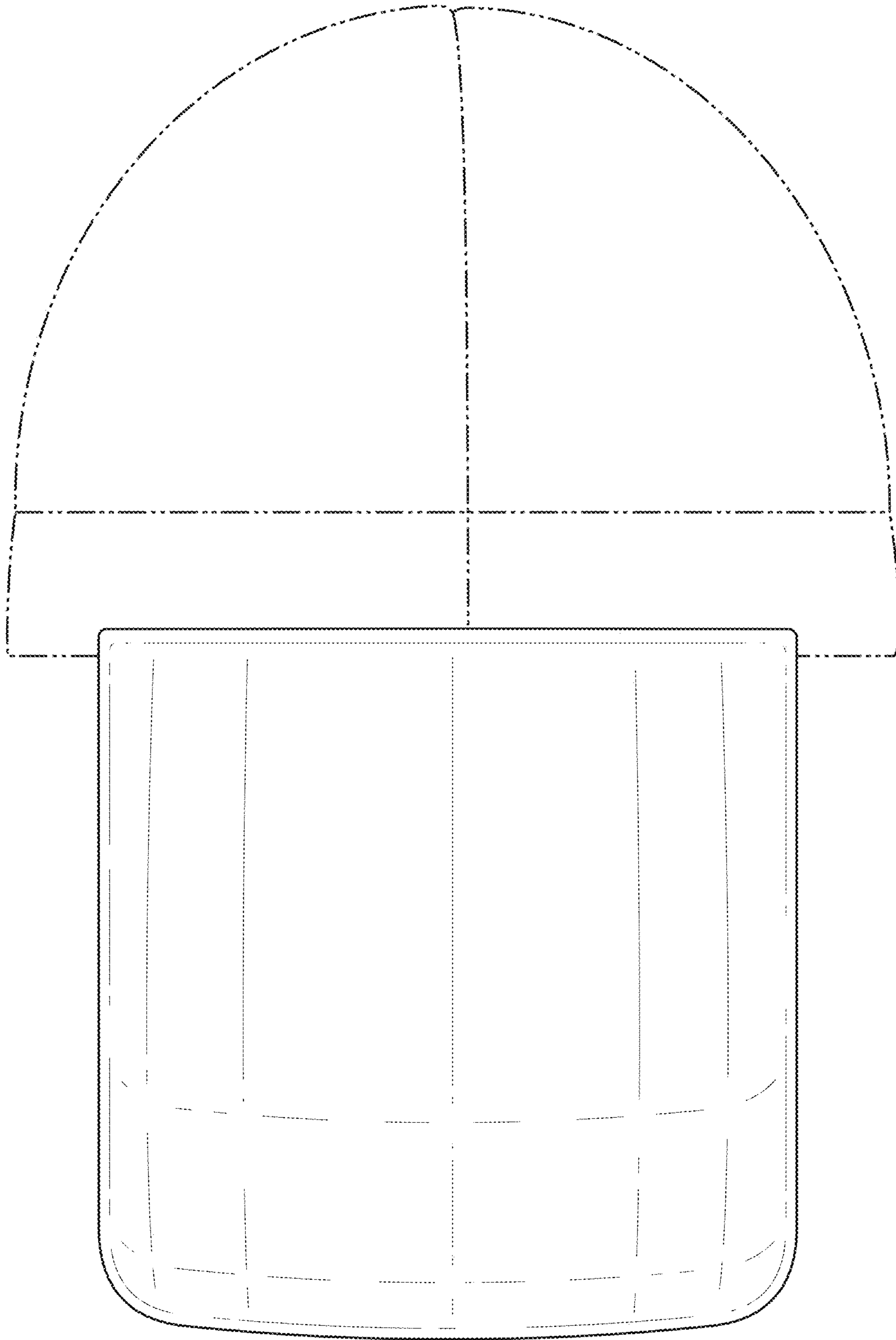


FIG. 9

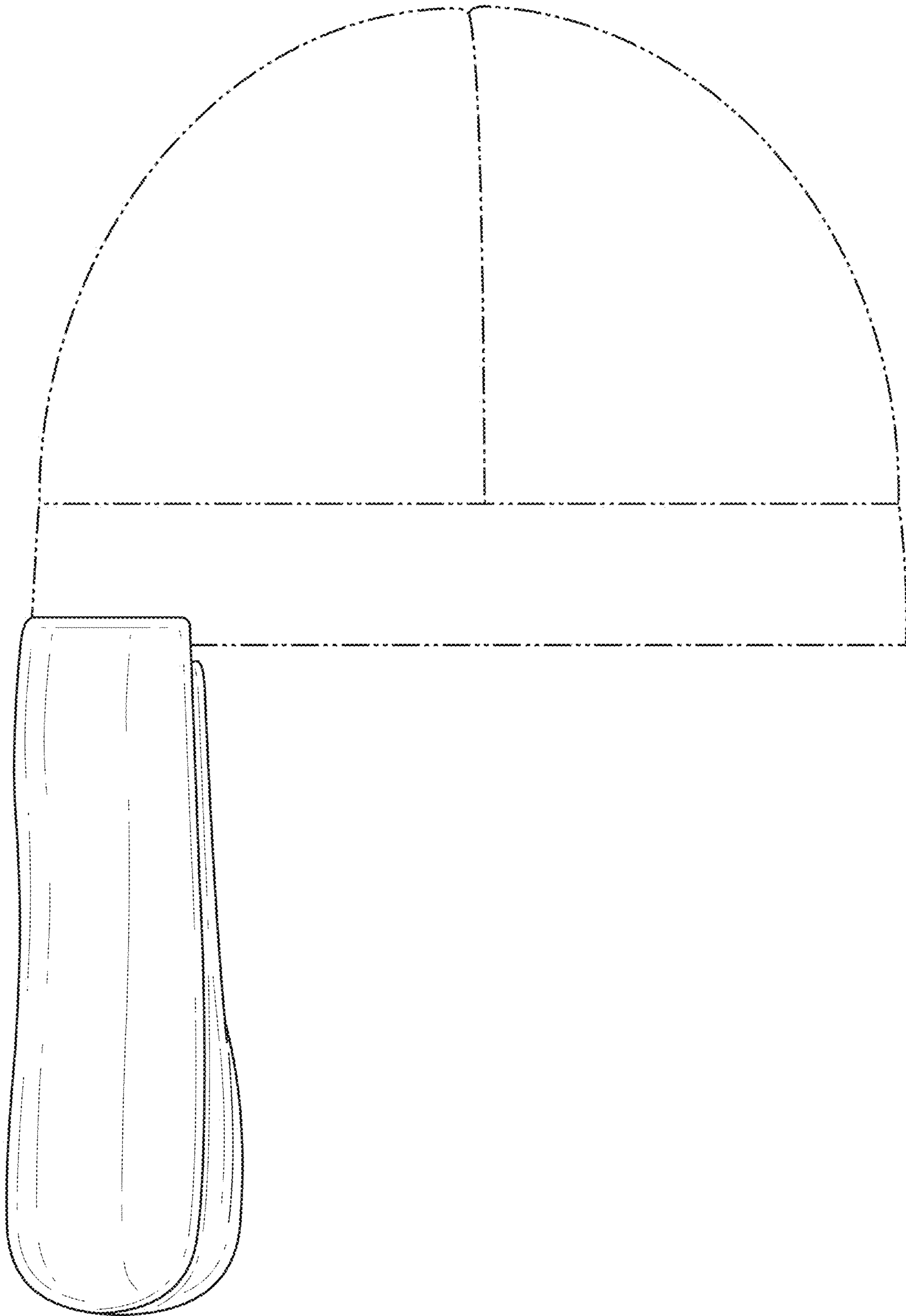


FIG. 10

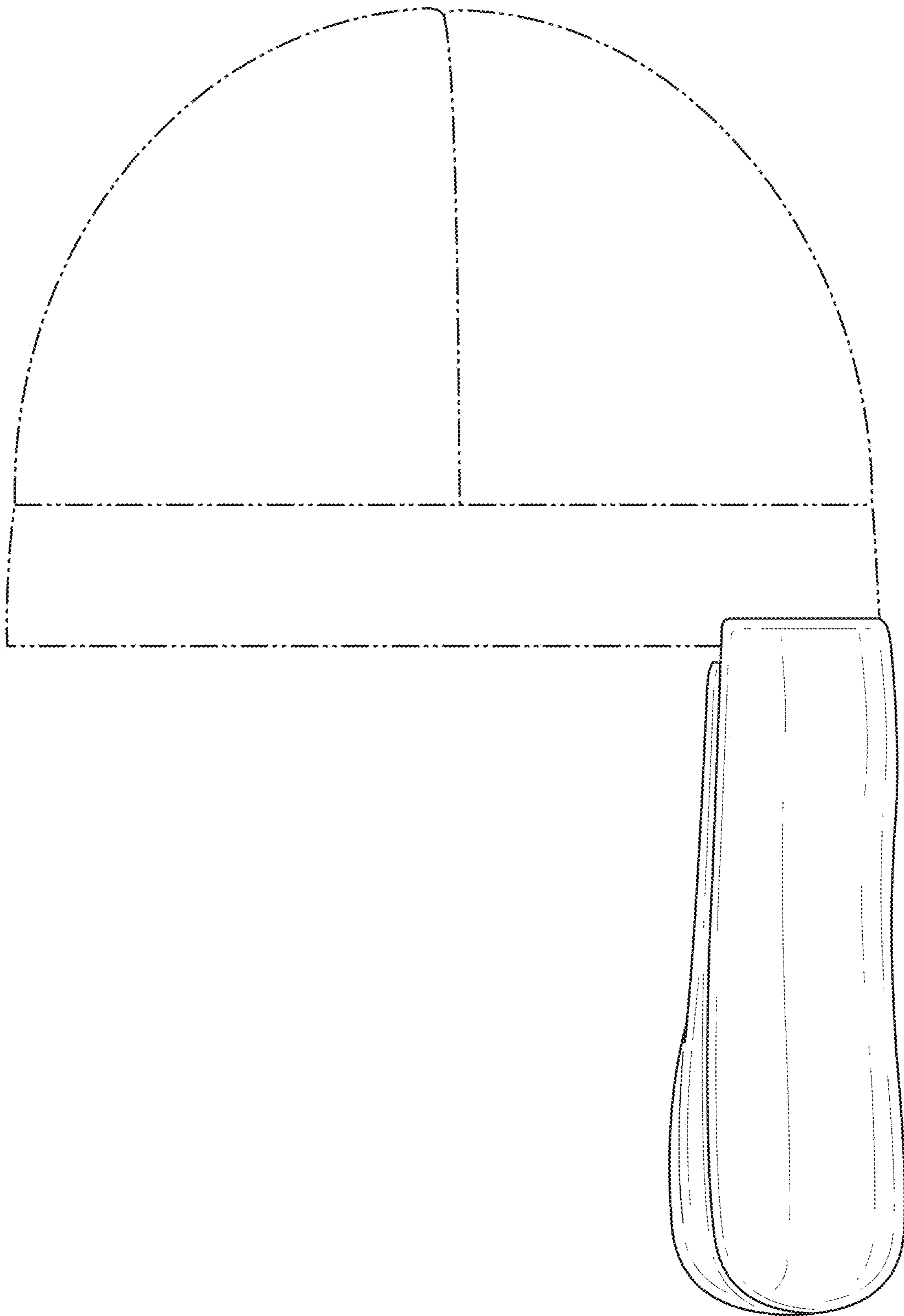


FIG. 11