



US00D892461S

(12) **United States Design Patent**  
**Miao**

(10) **Patent No.:** **US D892,461 S**

(45) **Date of Patent:** **\*\* Aug. 11, 2020**

- (54) **HAT**
- (71) Applicant: **Zong Yun Miao**, Nanjing (CN)
- (72) Inventor: **Zong Yun Miao**, Nanjing (CN)
- (\*\*) Term: **15 Years**
- (21) Appl. No.: **29/677,212**
- (22) Filed: **Jan. 17, 2019**
- (51) **LOC (12) Cl.** ..... **02-03**
- (52) **U.S. Cl.**  
USPC ..... **D2/886**
- (58) **Field of Classification Search**  
USPC ..... D2/865, 866, 869, 872, 879, 880, 881,  
D2/883, 886, 891; D29/101.2, 104, 105,  
D29/106, 108, 110, 122  
CPC .. A42B 1/00; A42B 1/02; A42B 1/045; A42B  
1/06; A42B 1/062; A42B 1/066; A42B  
1/067; A42B 1/205; A42B 1/24; A42B  
3/18; A42B 3/105; A42B 5/00  
See application file for complete search history.

- D747,856 S \* 1/2016 Foster ..... D2/886
- D755,483 S \* 5/2016 Arenson ..... D2/866
- D827,990 S \* 9/2018 Lacy ..... D2/879
- D843,087 S \* 3/2019 Foster ..... D2/886
- D853,687 S \* 7/2019 Foster ..... D2/886
- D865,332 S \* 11/2019 Boyle ..... D2/879

\* cited by examiner

*Primary Examiner* — Jasmine Mlinarcik  
(74) *Attorney, Agent, or Firm* — QuickPatents, LLC;  
Kevin Prince

(57) **CLAIM**

The ornamental design for a hat, as shown and described.

**DESCRIPTION**

FIG. 1 is a front perspective view of a hat, showing my new design;  
 FIG. 2 is a front elevational view thereof;  
 FIG. 3 is a rear elevational view thereof;  
 FIG. 4 is a left-side elevational view thereof;  
 FIG. 5 is a right-side elevational view thereof;  
 FIG. 6 is a top plan view thereof;  
 FIG. 7 is a bottom plan view thereof; and,  
 FIG. 8 is a rear perspective view thereof.

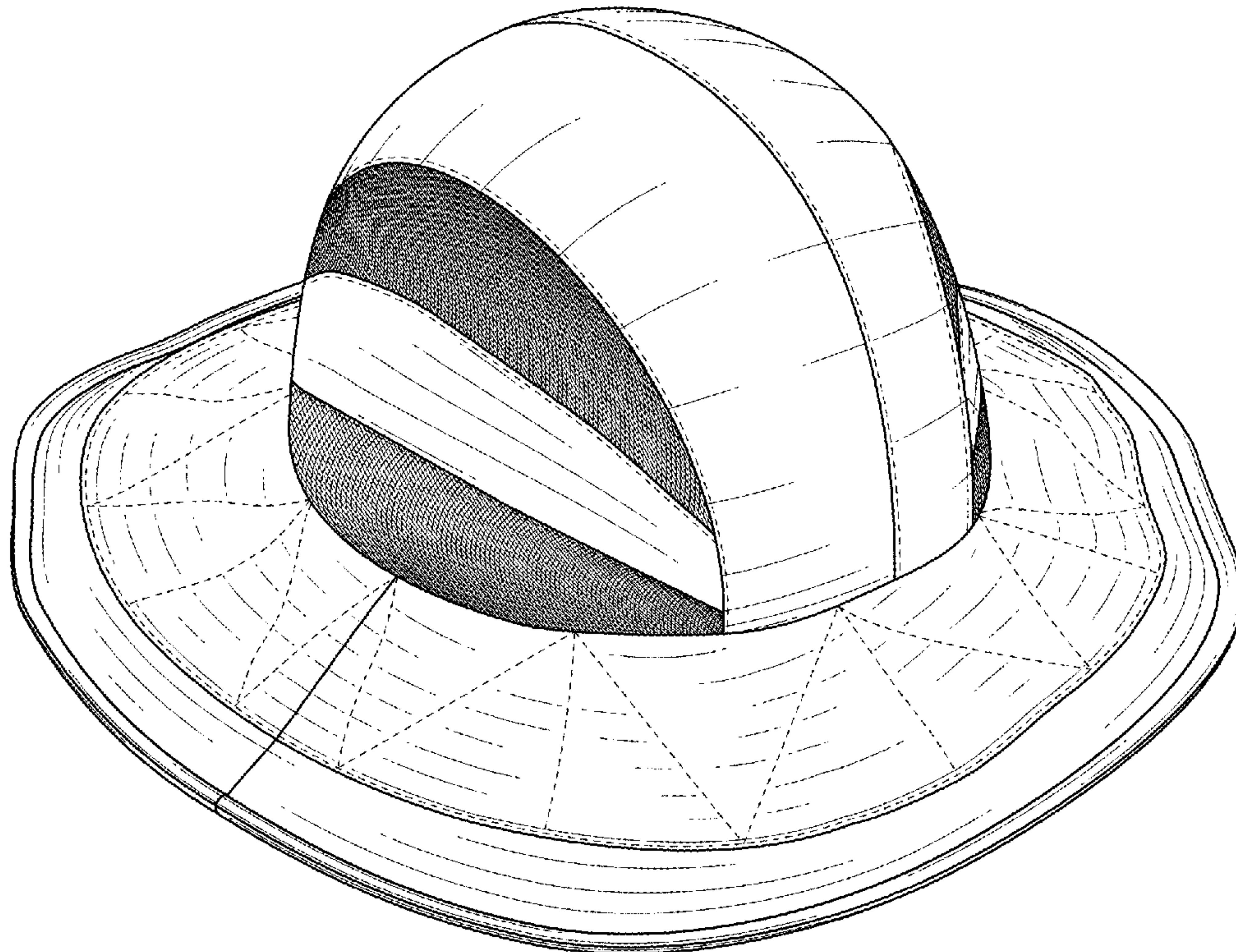
The even length broken lines on the hat depict stitching and form part of the claimed design. The dot-dash broken lines in FIG. 7 that extend to the solid lines and the unshaded areas between those lines define portions of the hat that form no part of the claimed design.

(56) **References Cited**

**U.S. PATENT DOCUMENTS**

- D136,649 S \* 11/1943 Dannenberg ..... D2/879
- D142,162 S \* 8/1945 Dannenberg ..... D2/865
- D429,871 S \* 8/2000 Dassinger ..... D2/884
- 6,484,323 B1 \* 11/2002 Pu ..... A42B 1/201  
2/10
- D594,185 S \* 6/2009 Lacy ..... D2/879
- D619,788 S \* 7/2010 Lacy ..... D2/879
- D681,926 S \* 5/2013 Votel ..... D2/880

**1 Claim, 6 Drawing Sheets**





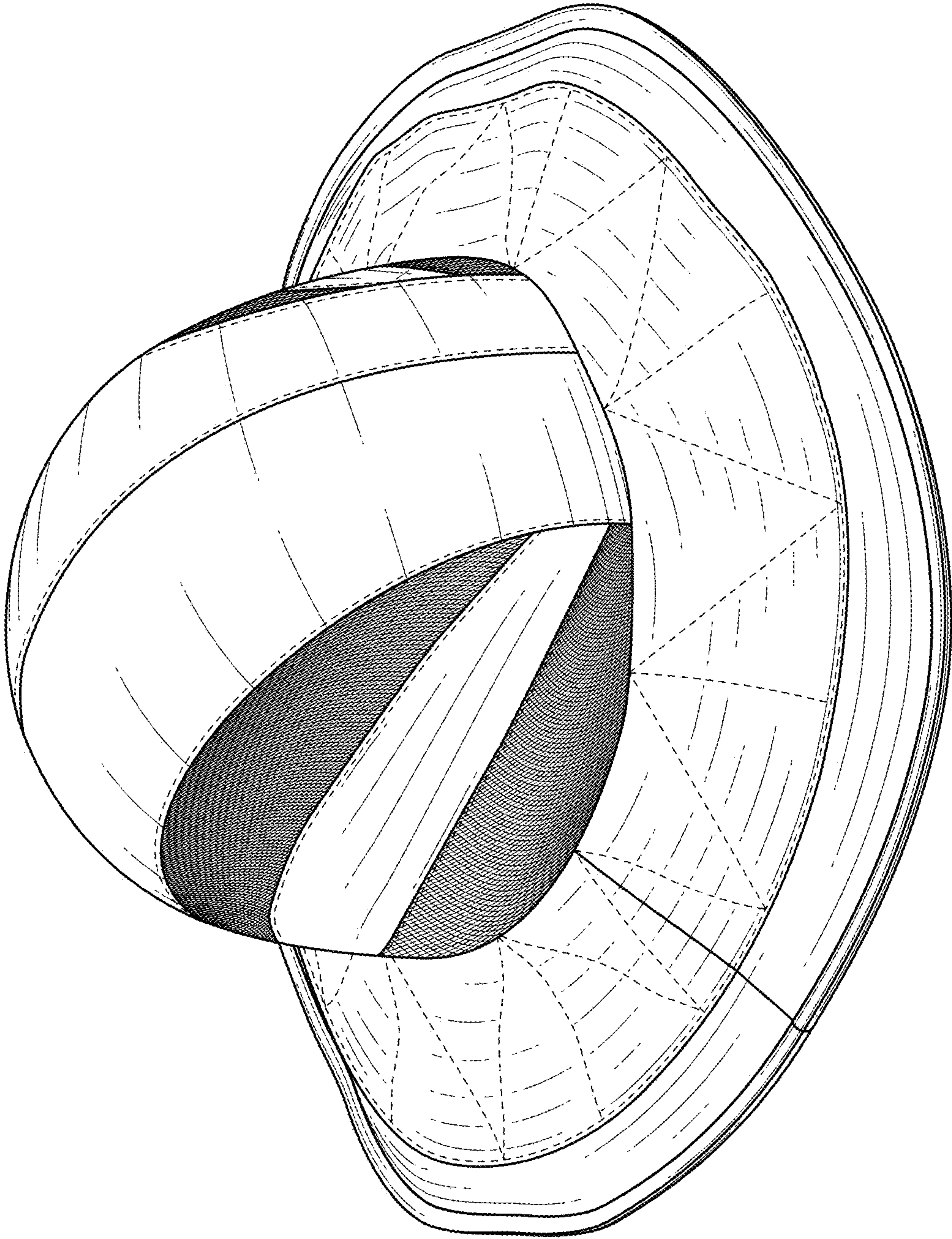


FIG. 1

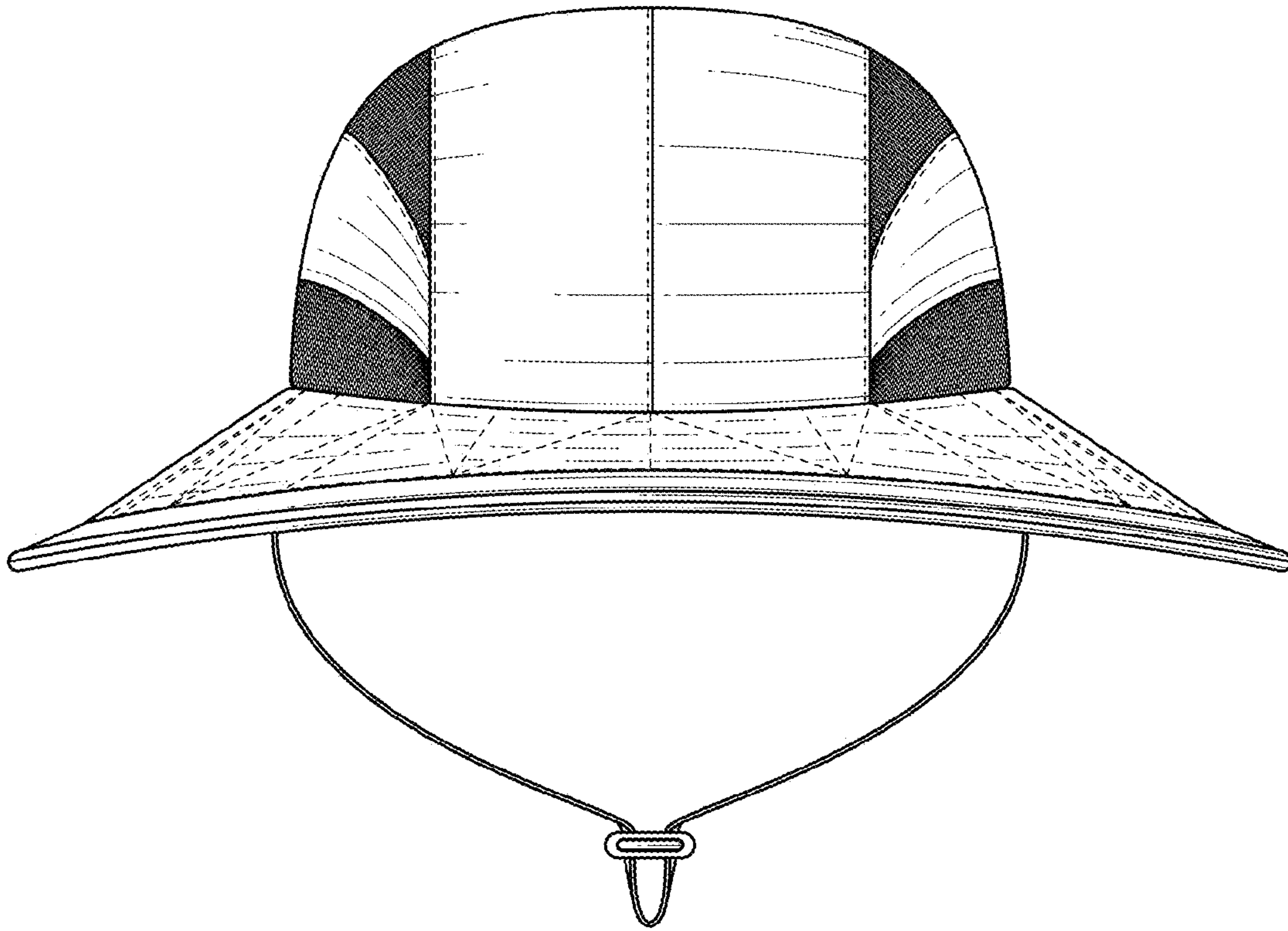


FIG. 2

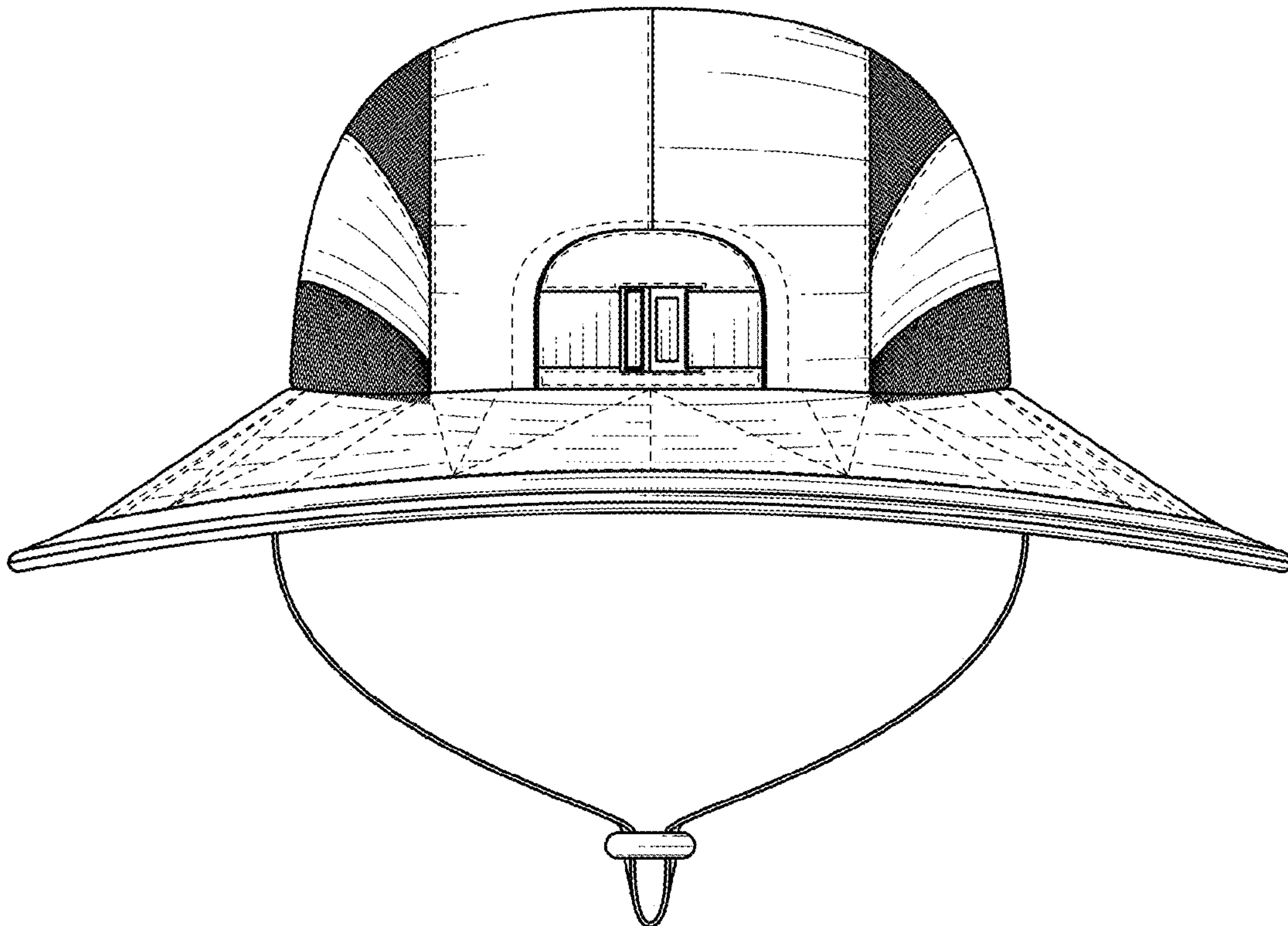


FIG. 3



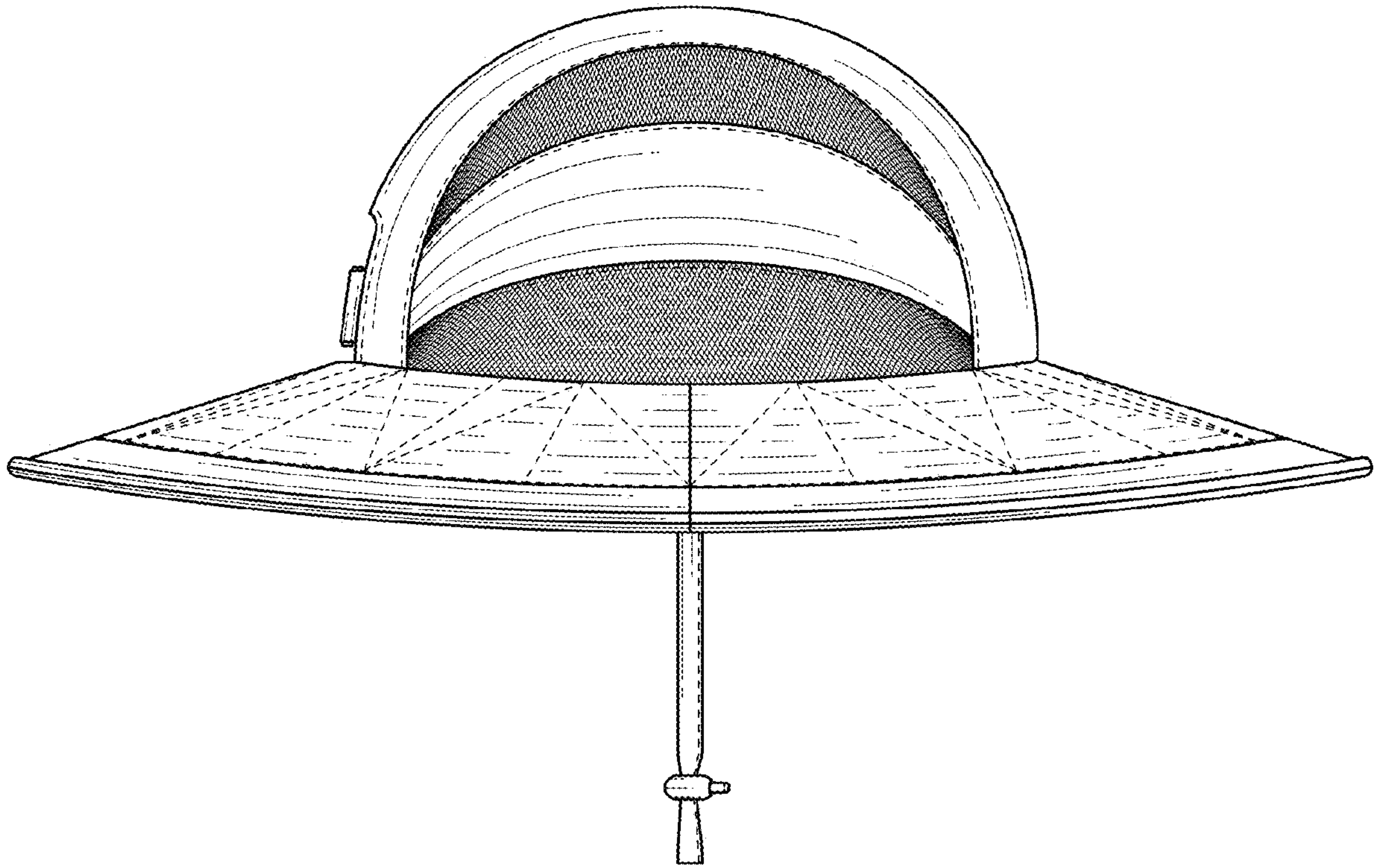


FIG. 4

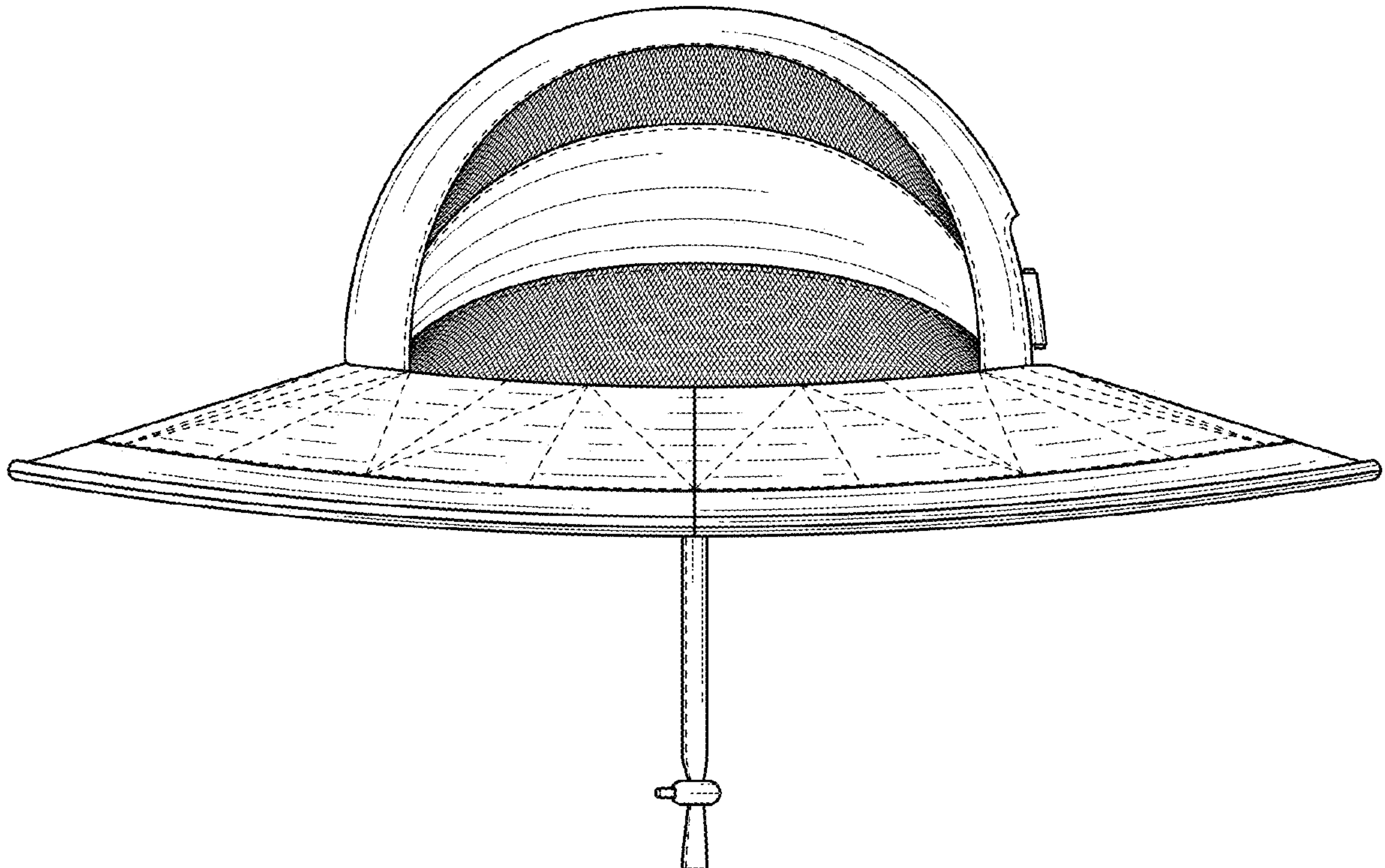


FIG. 5

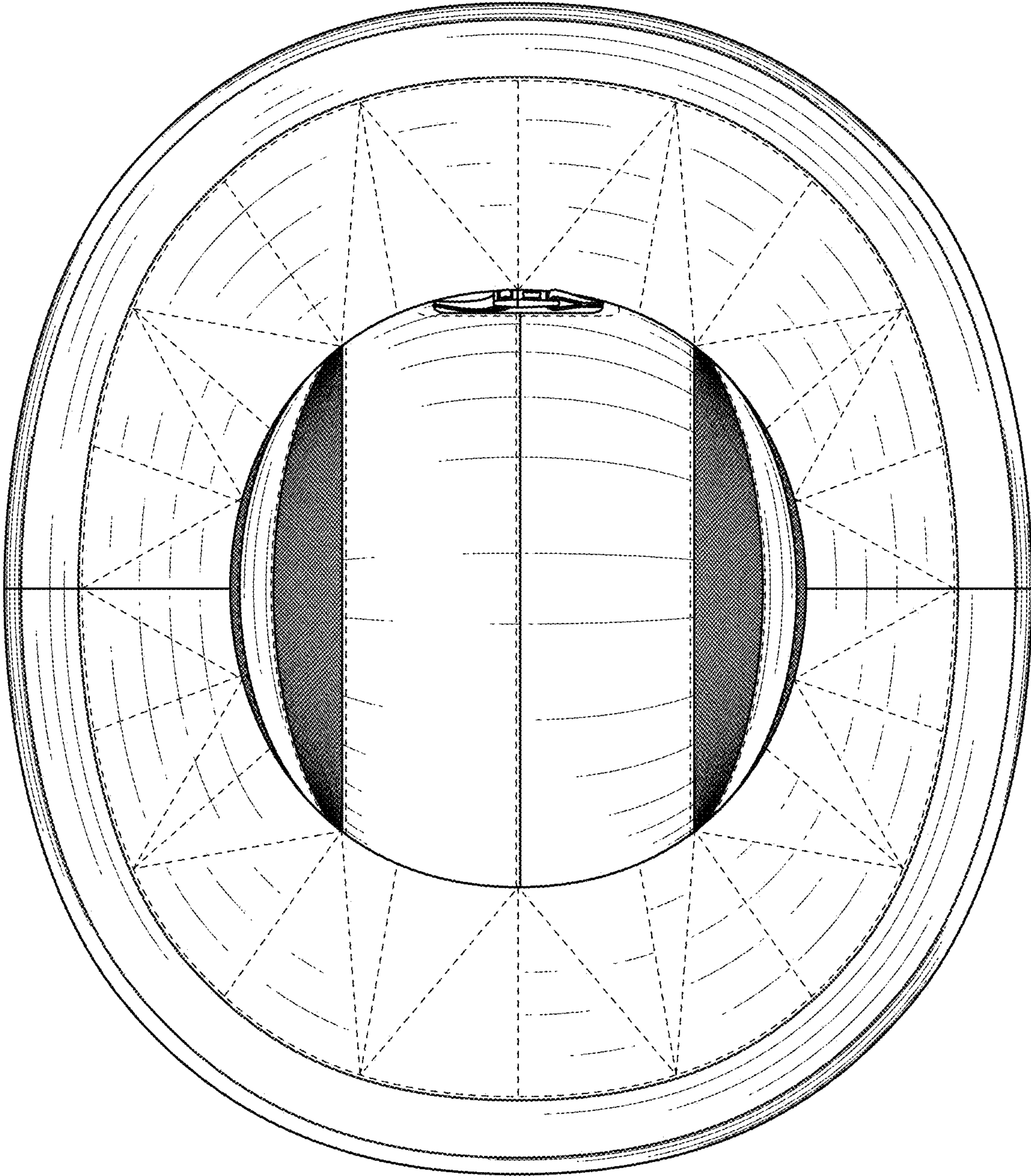


FIG. 6



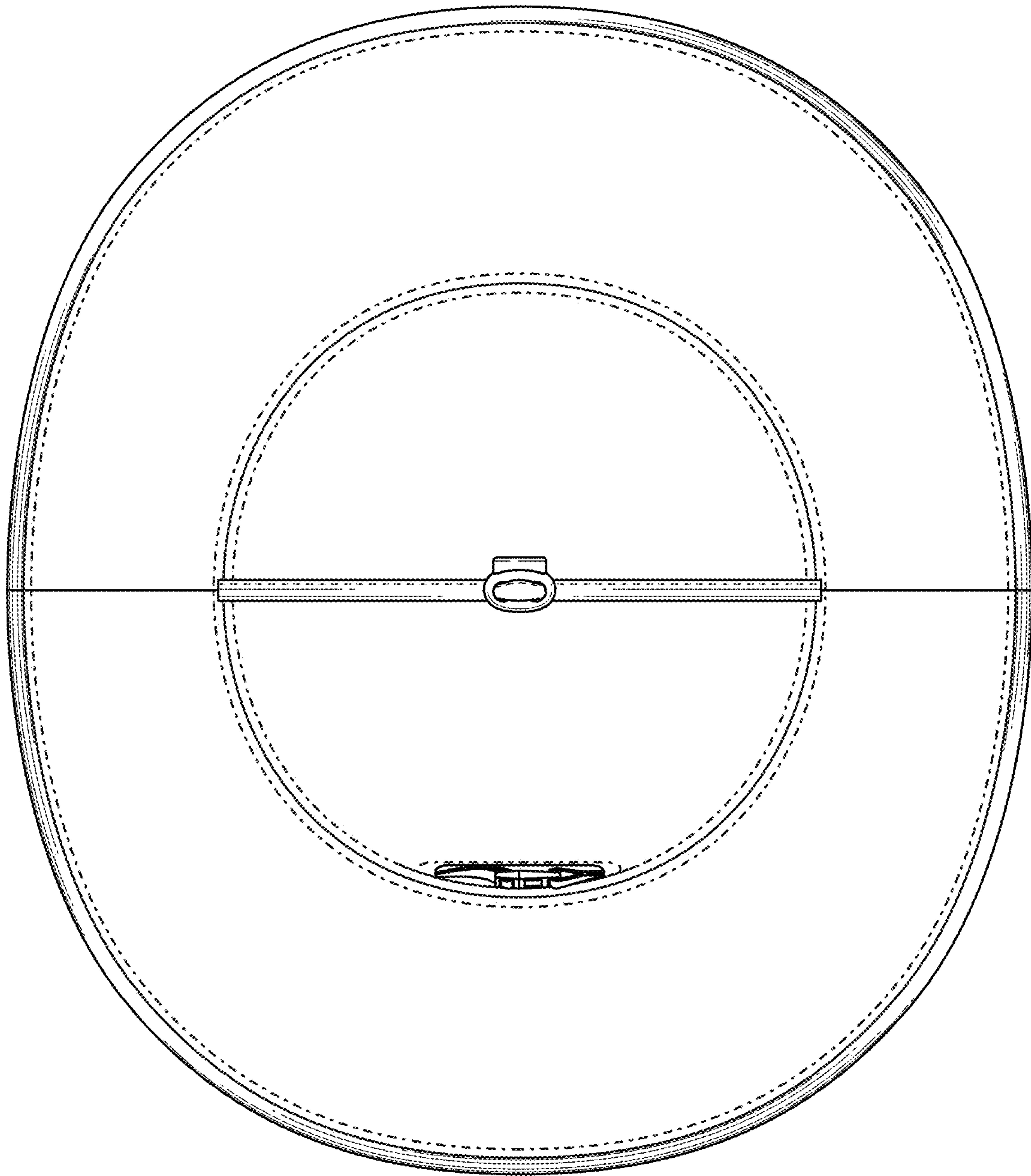


FIG. 7

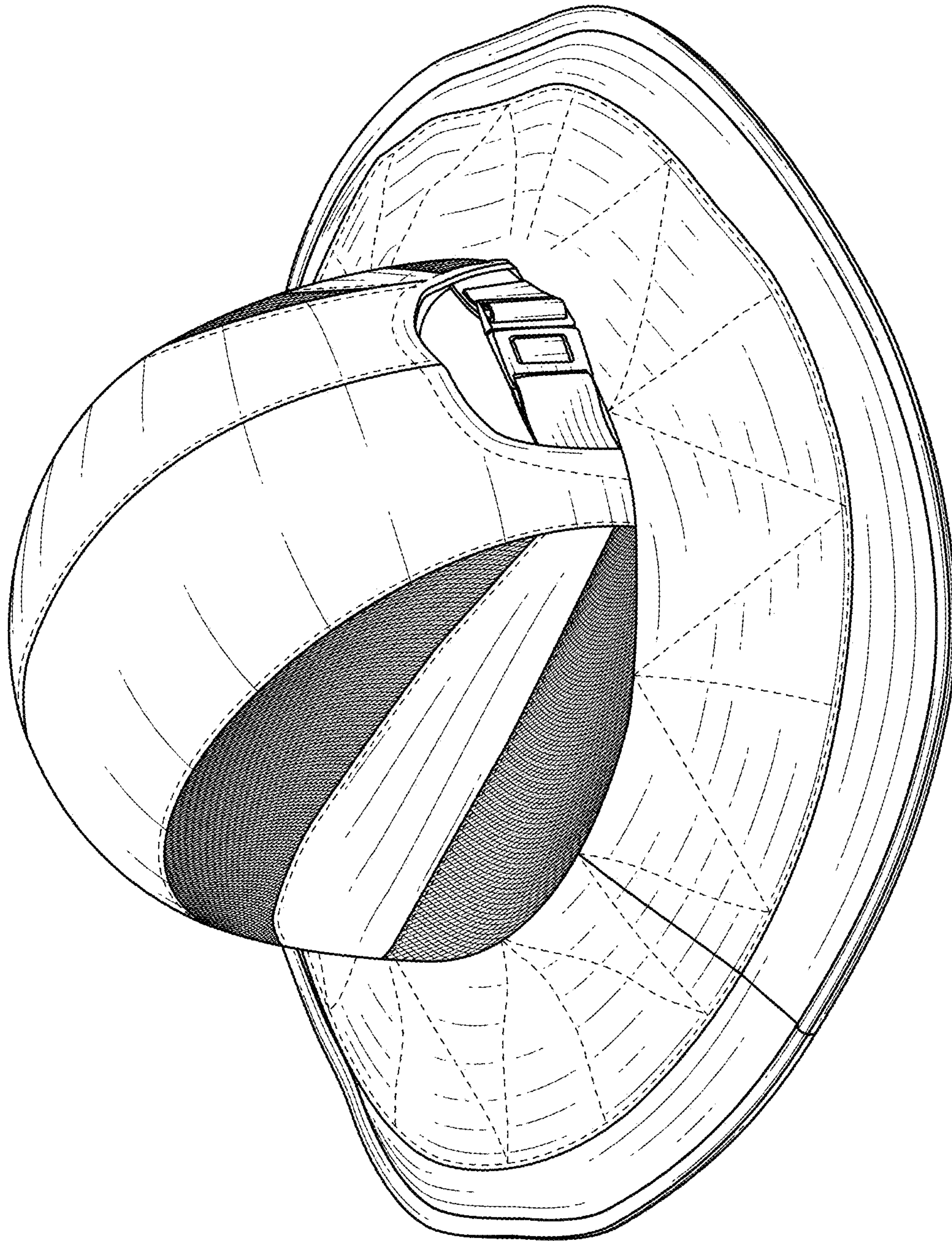


FIG. 8