



US00D892460S

(12) **United States Design Patent**  
**Zhu**

(10) **Patent No.:** **US D892,460 S**  
(45) **Date of Patent:** **\*\* Aug. 11, 2020**

- (54) **HAT WITH FLEXIBLE DISPLAY**
- (71) Applicant: **SHENZHEN ROYOLE TECHNOLOGIES CO. LTD.**,  
Shenzhen, Guangdong (CN)
- (72) Inventor: **Xiaobin Zhu**, Guangdong (CN)
- (73) Assignee: **SHENZHEN ROYOLE TECHNOLOGIES CO., LTD.**,  
Shenzhen (CN)
- (\*\*) Term: **15 Years**
- (21) Appl. No.: **29/676,329**
- (22) Filed: **Jan. 10, 2019**
- (30) **Foreign Application Priority Data**  
Jul. 14, 2018 (CN) ..... 2018 3 0380448
- (51) **LOC (12) Cl.** ..... **02-03**
- (52) **U.S. Cl.**  
USPC ..... **D2/886; D2/866**
- (58) **Field of Classification Search**  
USPC ..... D2/865, 866, 869, 870, 873, 878, 883,  
D2/886, 887, 890, 891, 892, 893, 895;  
D21/386; D6/300; D14/125, 126, 300,  
D14/341, 371, 374, 448, 450, 507;  
D26/39; D29/102, 103, 104, 122  
CPC .... A42B 1/00; A42B 1/06; A42B 1/14; A42B  
1/18; A42B 7/00; A42B 1/064; A42B  
1/066; A42B 1/201; A42B 1/247; G02B  
27/017; G02B 27/0172; G02B 2027/0174;  
G02B 23/125; G09F 21/02; G09F  
2021/023  
See application file for complete search history.

- (56) **References Cited**  
**U.S. PATENT DOCUMENTS**  
D1,421 S \* 5/1861 Hawley ..... D2/873  
1,490,565 A \* 4/1924 Hunter ..... A42B 1/14  
40/329

- 1,698,176 A \* 1/1929 Steinberg ..... A42B 1/14  
2/181
  - 2,796,680 A \* 6/1957 Wittcoff ..... G09B 19/02  
446/27
  - 2,803,829 A \* 8/1957 Tscharnier ..... A42B 1/248  
40/329
  - D283,941 S \* 5/1986 Smith ..... D2/875
  - D359,383 S \* 6/1995 Hutchinson ..... D2/866
  - 6,311,332 B1 \* 11/2001 Lien ..... A42B 1/248  
2/175.1
- (Continued)

**OTHER PUBLICATIONS**

U.S. Trademark Application #87981058, now Registered Trade-  
mark #5814819 for "Flexible+" filed by Shenzhen Royole Tech-  
nologies Co., Ltd. On Dec. 18, 2017. First Use in Commerce date:  
Jan. 1, 2018. Retrieved on Mar. 19, 2020. (4 pages). (Year: 2018).\*

(Continued)

*Primary Examiner* — Jasmine Mlinarcik  
(74) *Attorney, Agent, or Firm* — Hauptman Ham, LLP

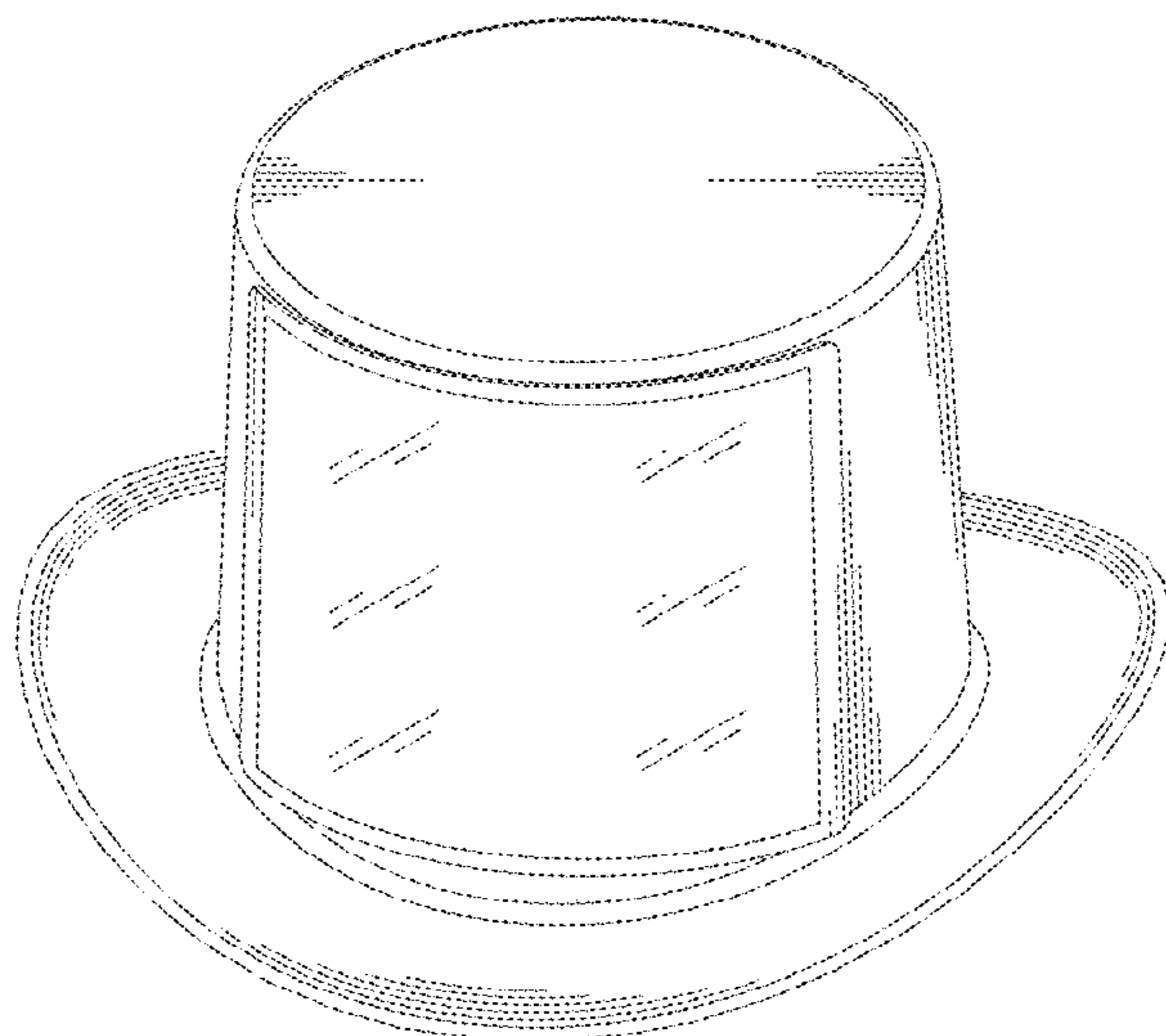
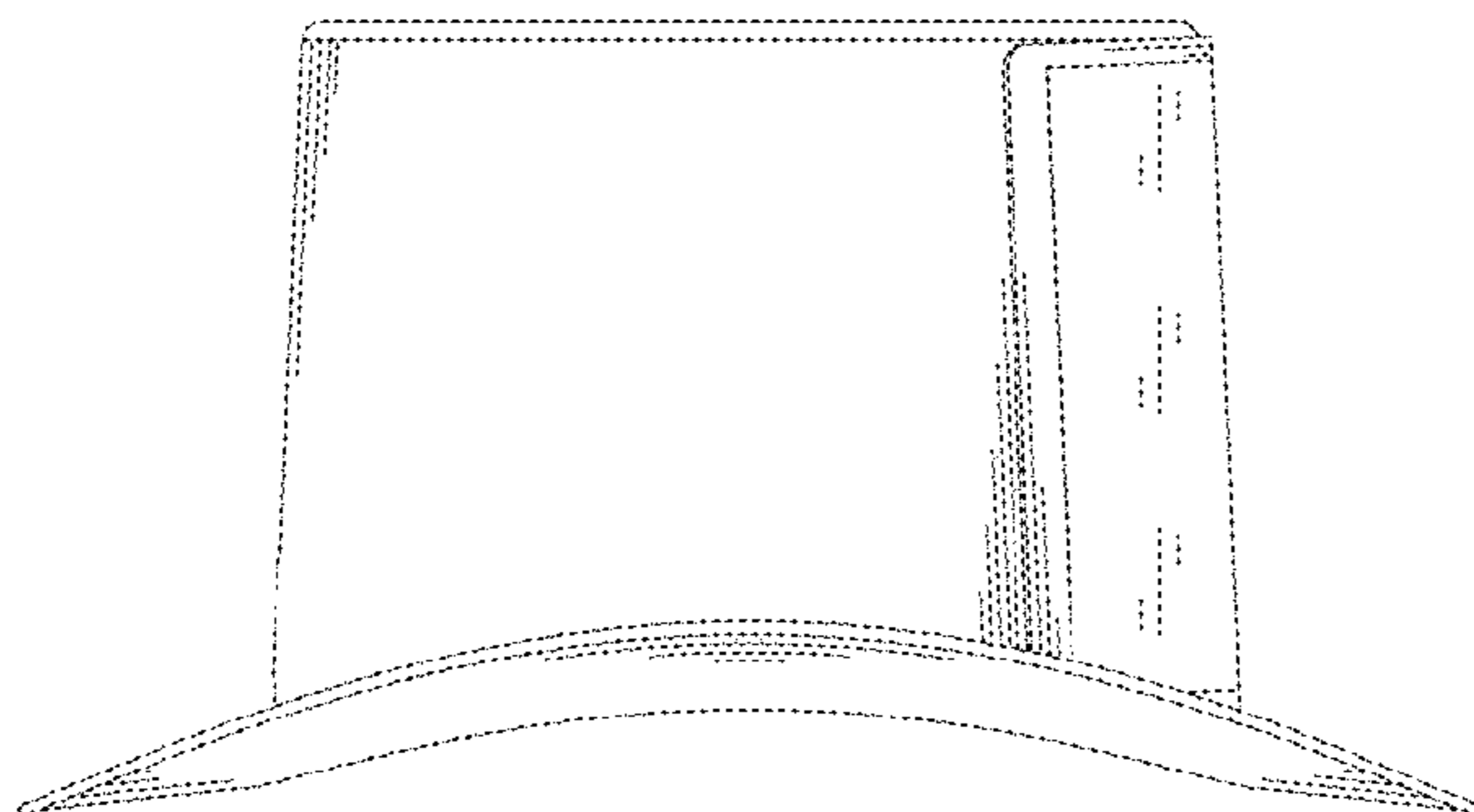
(57) **CLAIM**

The ornamental design for a hat with flexible display, as  
shown and described.

**DESCRIPTION**

FIG. 1 is a front view of a hat with flexible display showing  
the new design;  
FIG. 2 is a rear view thereof;  
FIG. 3 is a left side view thereof;  
FIG. 4 is a right side view thereof;  
FIG. 5 is a top plan view thereof;  
FIG. 6 is a bottom plan view thereof; and,  
FIG. 7 is a perspective view of front top and left side thereof.  
The shade lines in the figures show contour and not surface  
ornamentation.

**1 Claim, 5 Drawing Sheets**



(56)

**References Cited**

U.S. PATENT DOCUMENTS

D751,795 S \* 3/2016 Zenoff ..... D2/866  
D764,772 S \* 8/2016 Zenoff ..... D2/866  
D831,310 S \* 10/2018 Agnese ..... D2/882  
10,572,083 B2 \* 2/2020 Li ..... G06F 3/044

OTHER PUBLICATIONS

Flexible Top Hat (Limited Edition), [online]; [Wayback Machine  
crawl-back Internet date Mar. 18, 2019]; [retrieved from the Internet  
on Mar. 19, 2020]; URL: [https://web.archive.org/web/20190318142033/  
http://www.royole.com/us/flexible-top-hat](https://web.archive.org/web/20190318142033/http://www.royole.com/us/flexible-top-hat). (13 pages). (Year: 2019).\*

Flexible Display, Hat, Purse & T Shirt . . . [online]; [published to the  
Internet on Feb. 28, 2019]; [retrieved from the Internet on Mar. 19,  
2020]; URL: <https://www.youtube.com/watch?v=mQzmq63CnQc>  
(2 pages). (Year: 2019).\*

\* cited by examiner

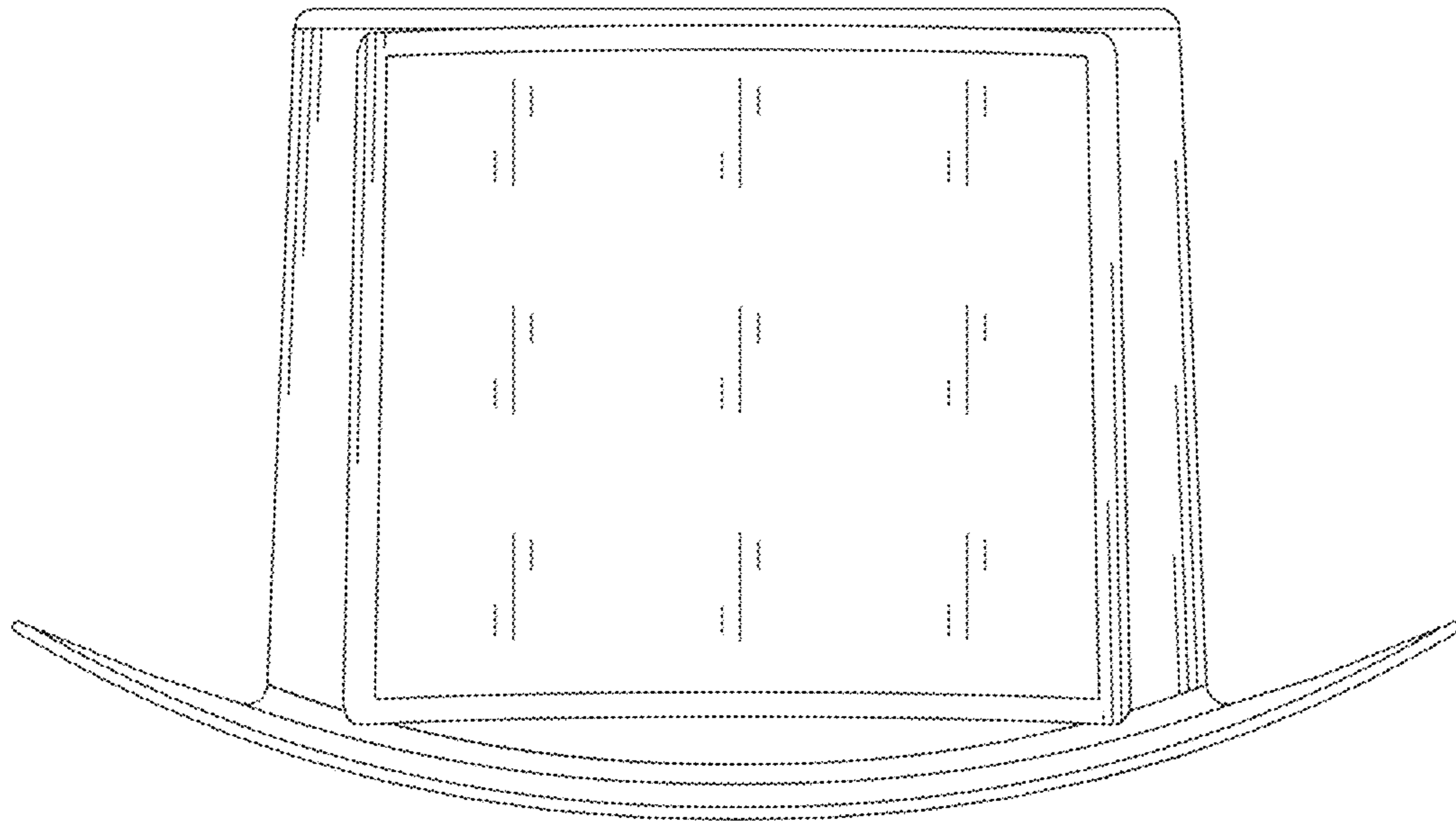


FIG. 1

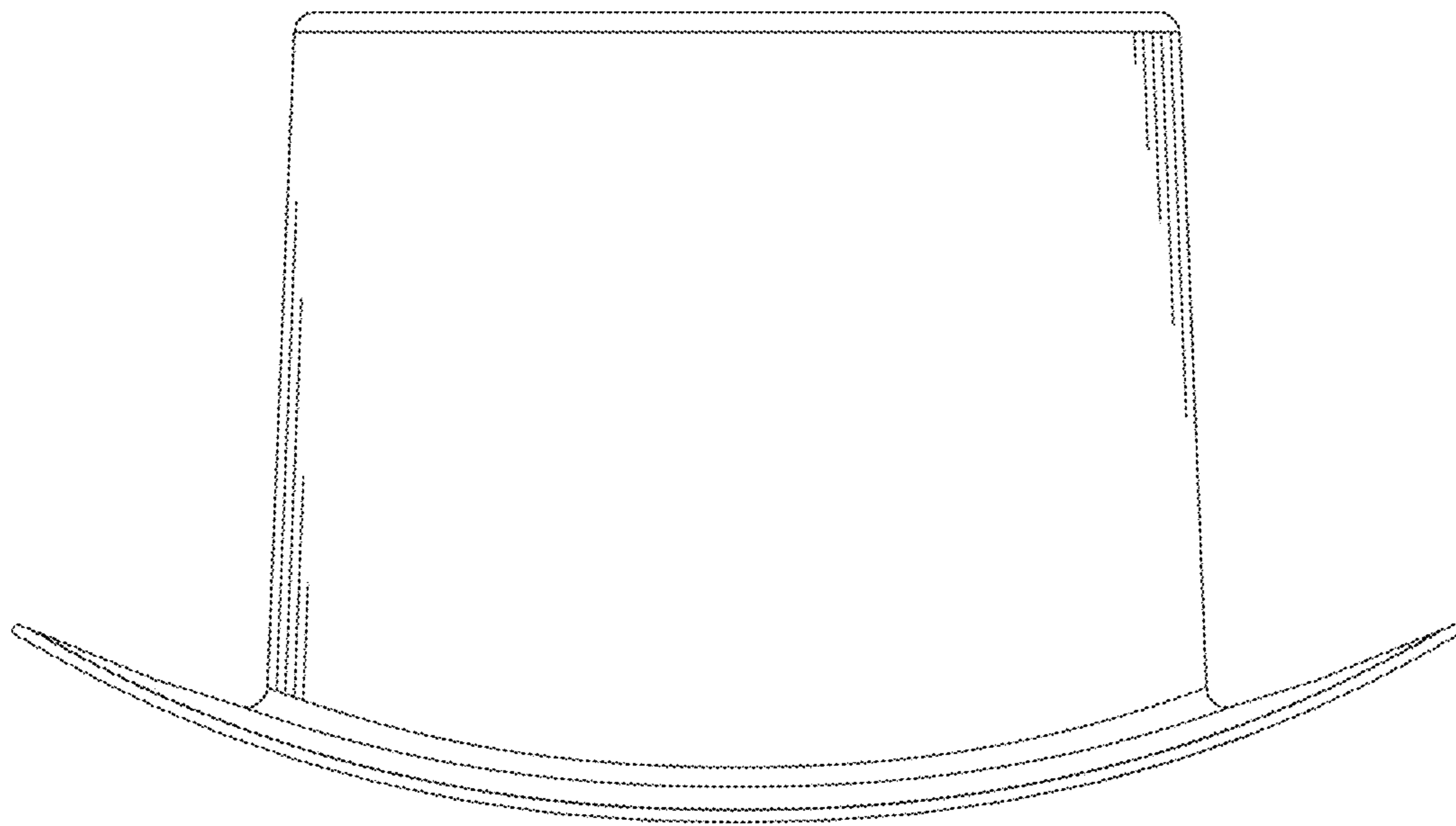


FIG. 2

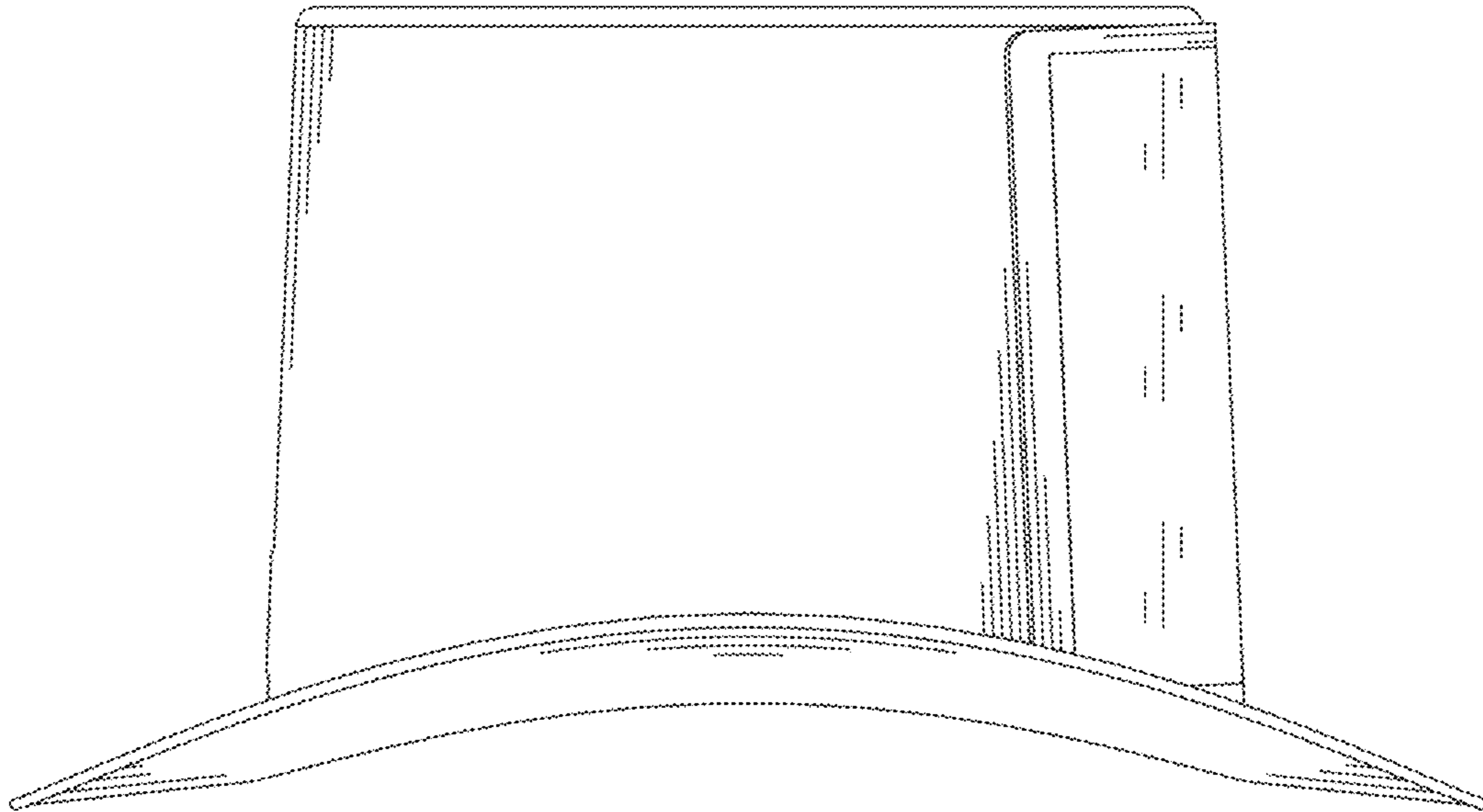


FIG. 3

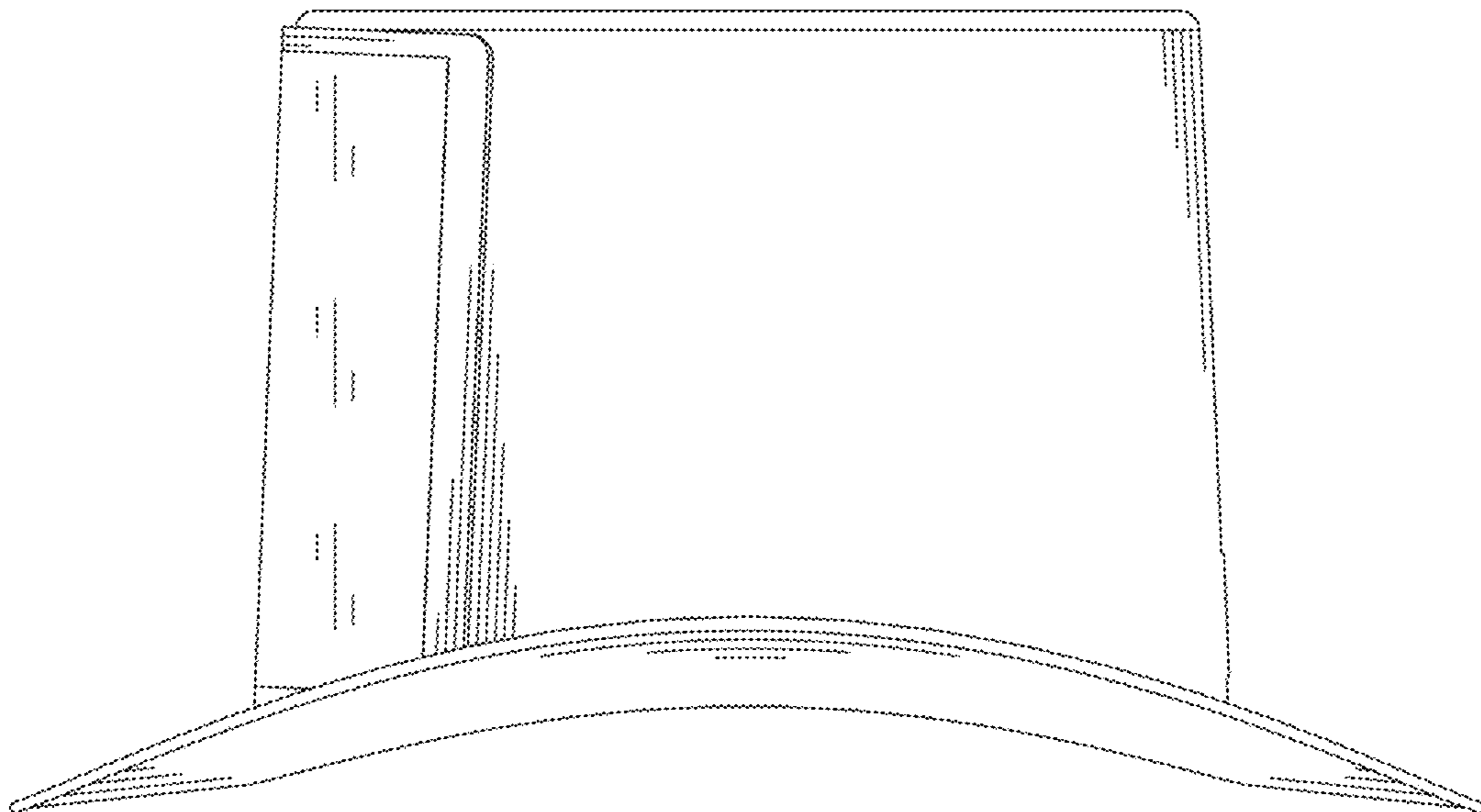


FIG. 4

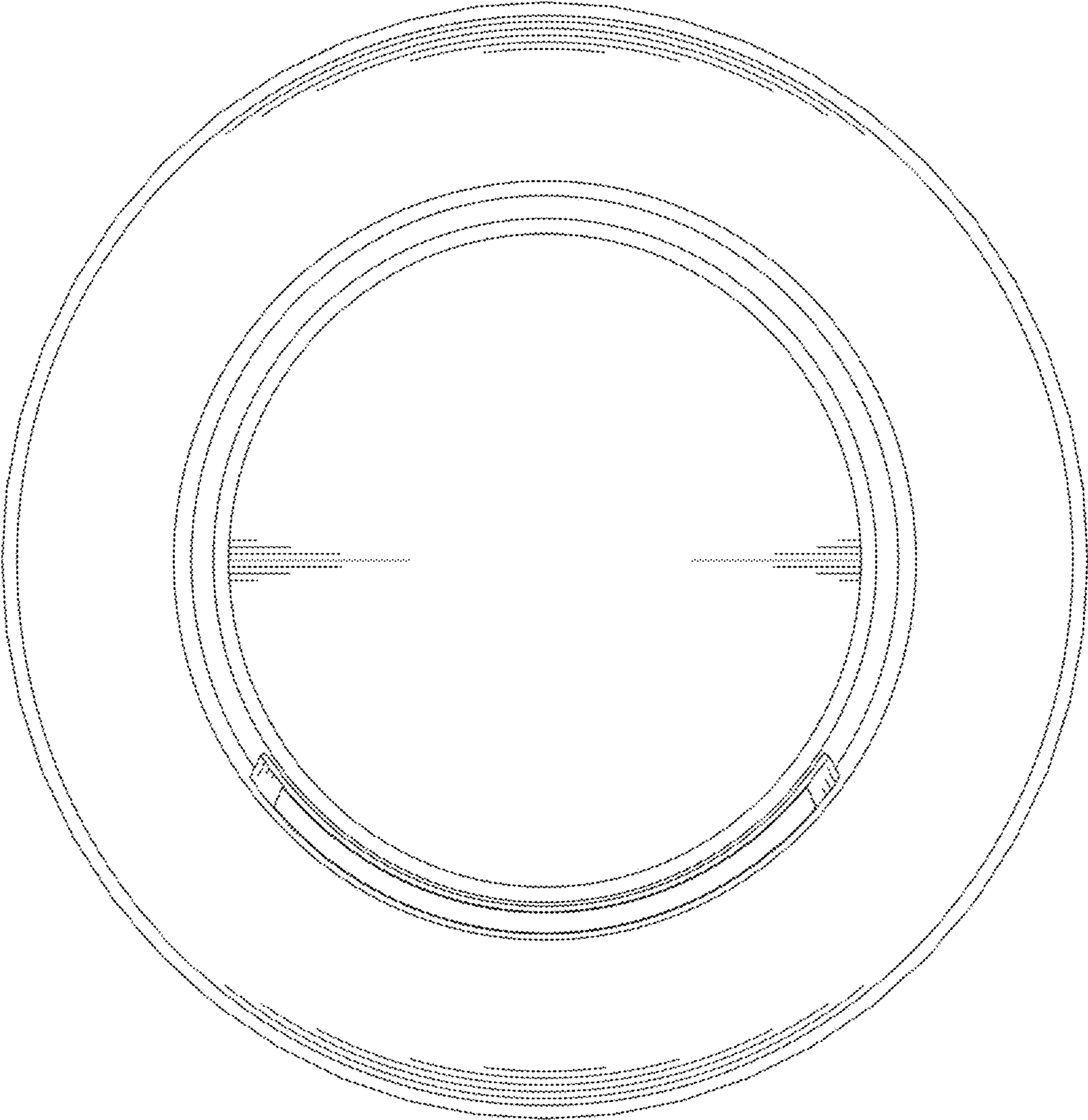


FIG. 5

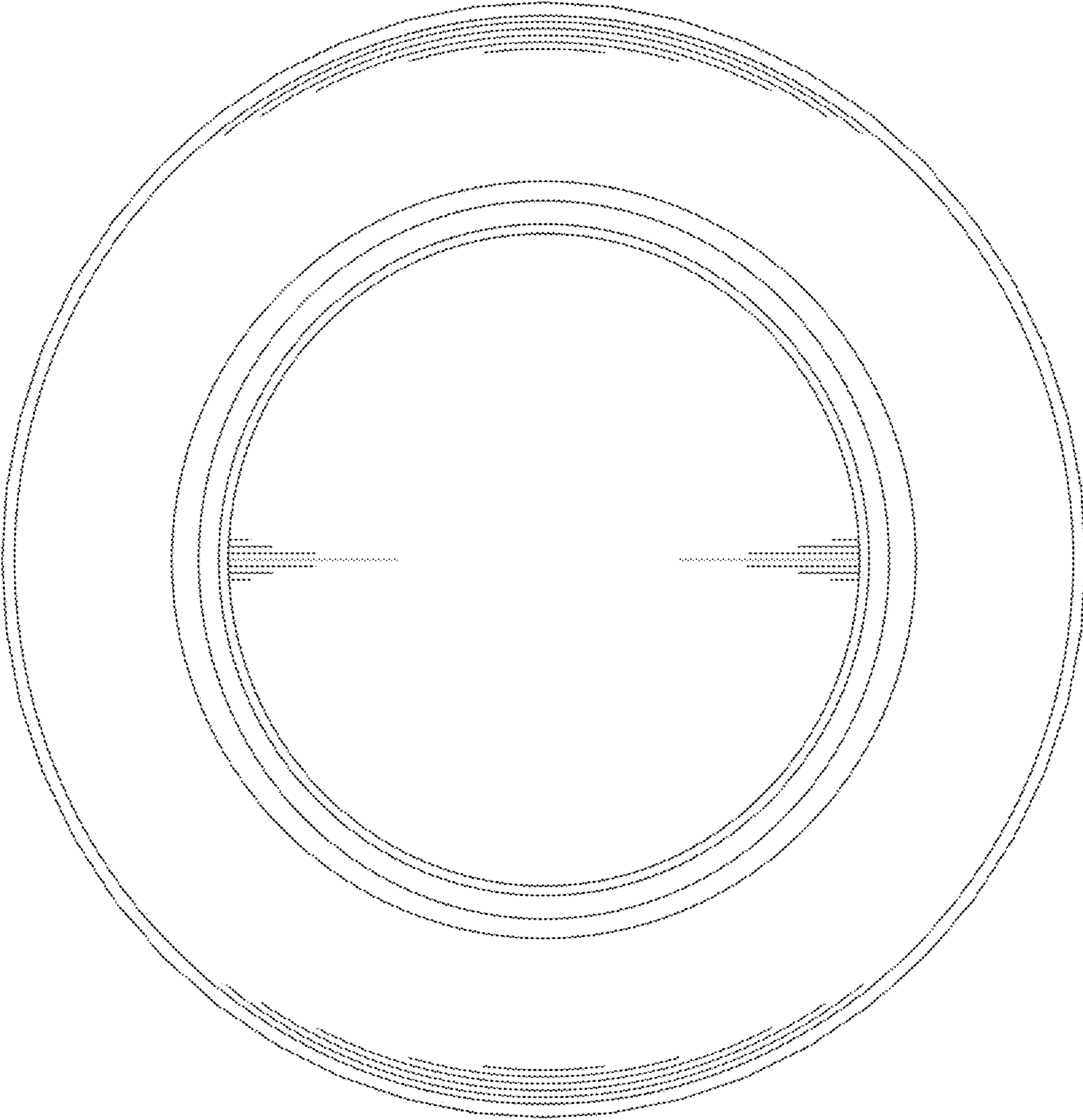


FIG. 6

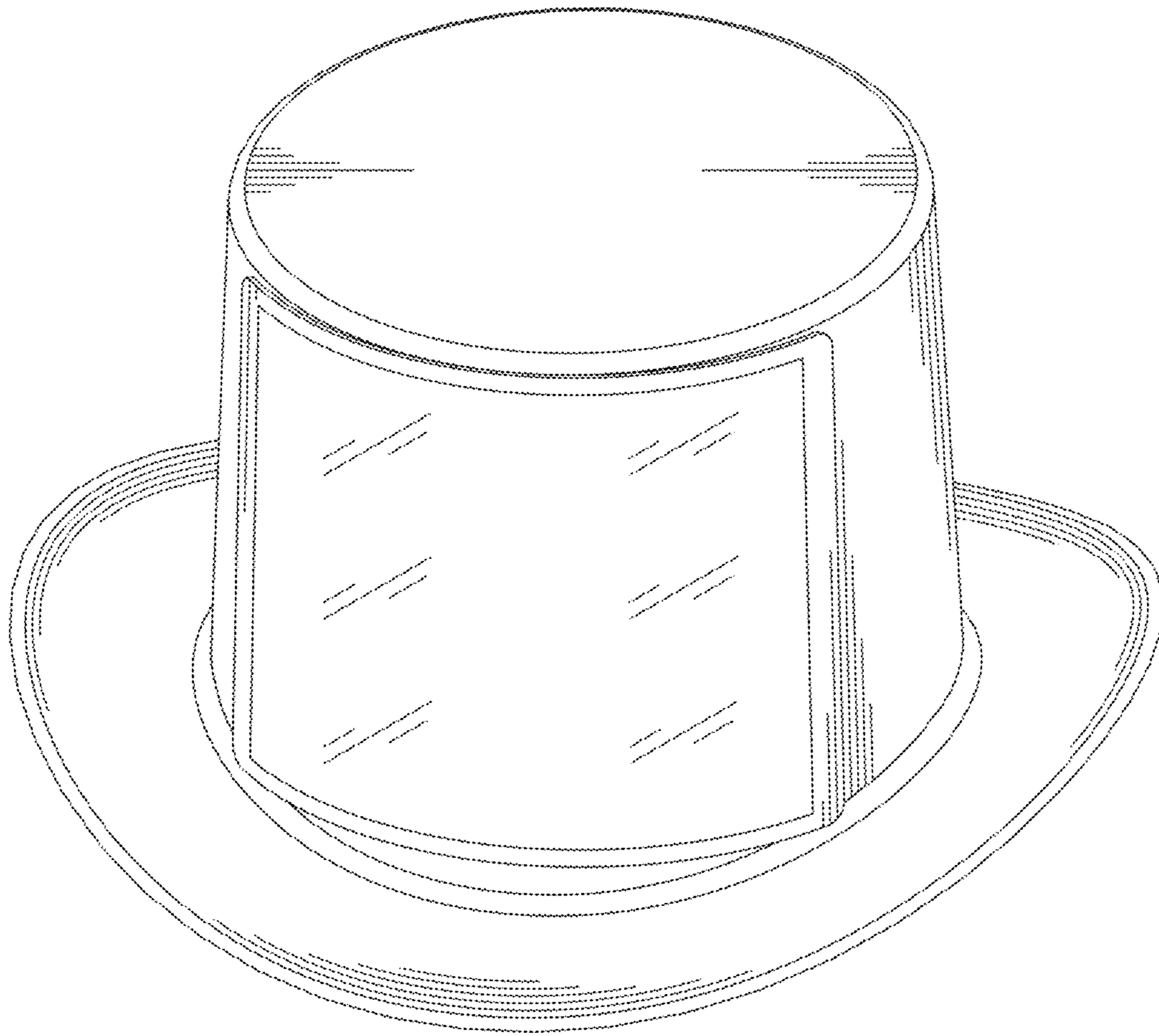


FIG. 7