



US00D892454S

(12) **United States Design Patent**
Chen

(10) **Patent No.:** **US D892,454 S**

(45) **Date of Patent:** **** Aug. 11, 2020**

(54) **HAT**

(71) Applicant: **SHENZHEN DAMAIJIA TECHNOLOGY CO., LTD.**,
Shenzhen, Guangdong (CN)

(72) Inventor: **Yu Chen**, Shenzhen (CN)

(73) Assignee: **SHENZHEN DAMAIJIA TECHNOLOGY CO., LTD.**, Shenzhen (CN)

(**) Term: **15 Years**

(21) Appl. No.: **29/671,402**

(22) Filed: **Nov. 27, 2018**

(51) **LOC (12) Cl.** **02-03**

(52) **U.S. Cl.**
USPC **D2/878; D2/889**

(58) **Field of Classification Search**
USPC D2/865, 866, 867, 869, 870, 872, 873,
D2/879, 882, 883, 886, 888, 889, 891,
D2/895
CPC .. A42B 1/00; A42B 1/004; A42B 1/02; A42B
1/04; A42B 1/041; A42B 1/062; A42B
1/12; A42B 1/225; A42B 1/248; A42C
5/00

See application file for complete search history.

(56) **References Cited**

U.S. PATENT DOCUMENTS

3,678,942 A * 7/1972 Abbott A41G 3/00
132/201
D225,088 S * 11/1972 East D24/207
D363,595 S * 10/1995 Love D2/869
6,711,749 B2 * 3/2004 White A42B 1/225
2/195.8
D595,033 S * 6/2009 Lynn D2/882

D678,616 S * 3/2013 Norton D29/102
D757,401 S * 5/2016 Orevik D2/878
9,445,638 B2 * 9/2016 Wilson A41B 11/00
D818,671 S * 5/2018 Yim D2/889
D835,889 S * 12/2018 Yim D2/889
D846,839 S * 4/2019 Yim D2/889
2009/0255030 A1 * 10/2009 Guy A42B 1/225
2/84

OTHER PUBLICATIONS

The Ponytail Beanie, [online]; [review published to the Internet approximately on Jan. 5, 2018]; [retrieved from the Internet on Jan. 5, 2020]; URL: see first page. (12 pgs). (Year: 2018).*

(Continued)

Primary Examiner — Jasmine Mlinarcik

(74) *Attorney, Agent, or Firm* — Law Offices of Steven W. Weinrieb

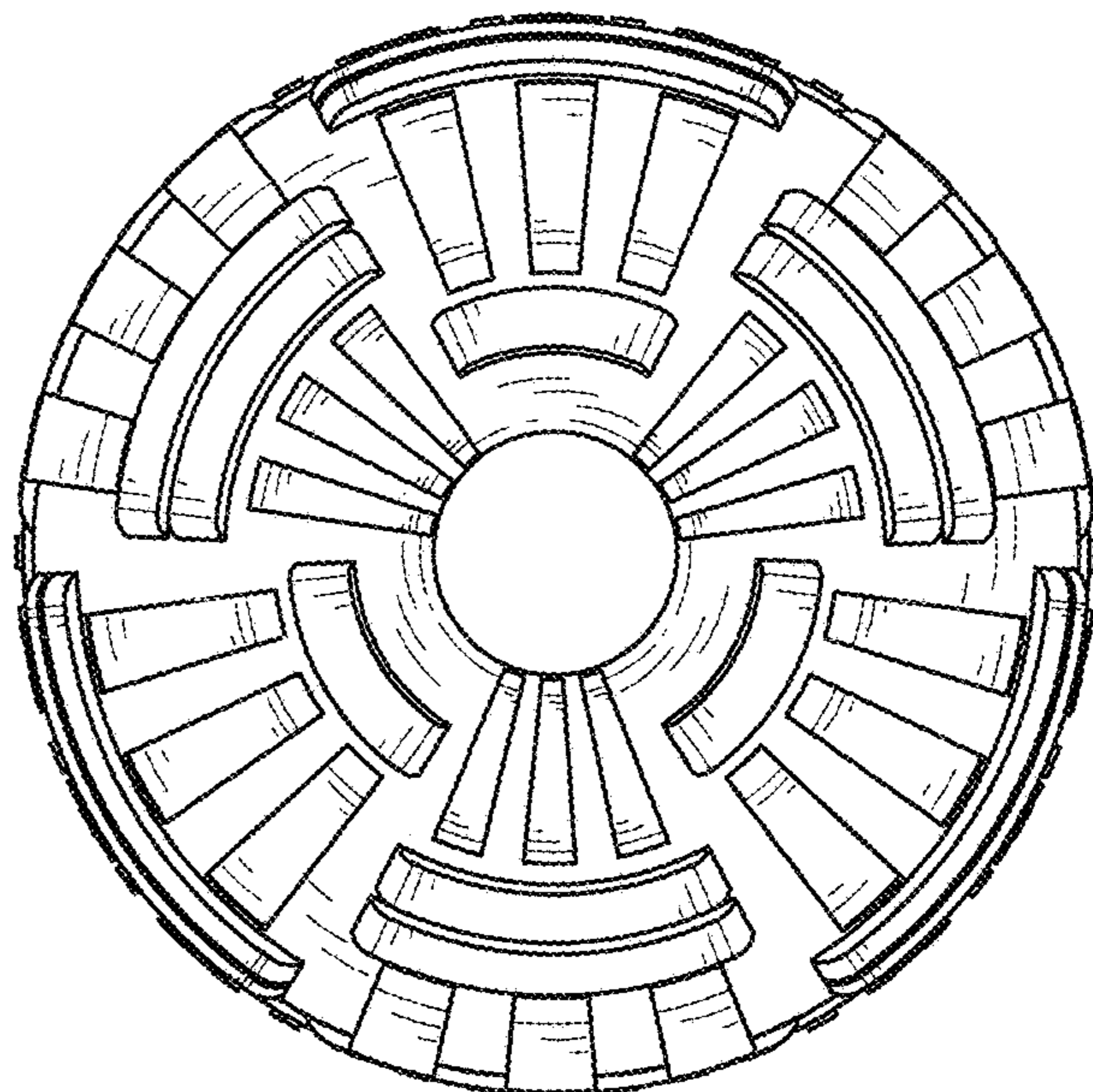
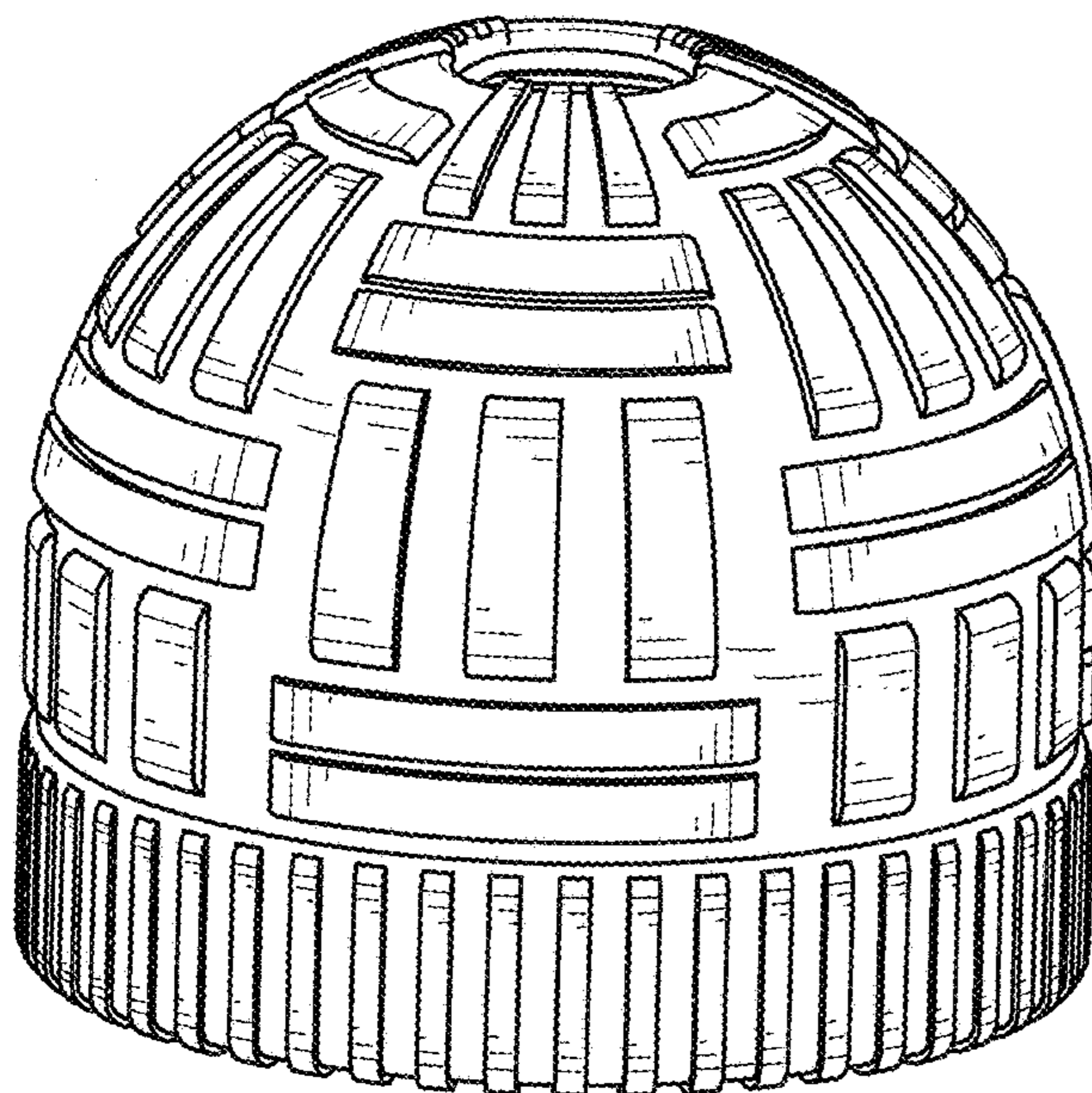
(57) **CLAIM**

The ornamental design for a hat, as shown and described.

DESCRIPTION

FIG. 1 is a front, right side, top perspective view of the hat showing my new design;
FIG. 2 is a front elevational view thereof;
FIG. 3 is a rear elevational view thereof;
FIG. 4 is a left side elevational view thereof;
FIG. 5 is a right side elevational view thereof;
FIG. 6 is a top plan view thereof;
FIG. 7 is a bottom plan view thereof; and,
FIG. 8 is a perspective view thereof wherein the hat is disposed within an environment in which it is being used. The broken line depiction of the partial human figure in FIG. 8 assists in illustrating how the claimed design may appear when worn and forms no part of the claimed design.

1 Claim, 8 Drawing Sheets



(56)

References Cited

OTHER PUBLICATIONS

Olan Basket Weave Charcoal Grey Beanie . . . [online]; [published to the Internet on Jul. 21, 2017]; [retrieved from the Internet on Jan. 5, 2020]; URL: see first page. (2 pgs). (Year: 2017).*

Bluetooth Beanie . . . [online]; [published to the Internet on Jul. 23, 2019]; [retrieved from the Internet on Dec. 4, 2019]; URL: see first page. (12 pgs). (Year: 2019).*

Dafunna Womens Ponytail Beanie . . . [online]; [published to the Internet on Apr. 3, 2019]; [retrieved from the Internet on Jan. 5, 2020]; URL: see first page. (3 pgs). (Year: 2019).*

* cited by examiner

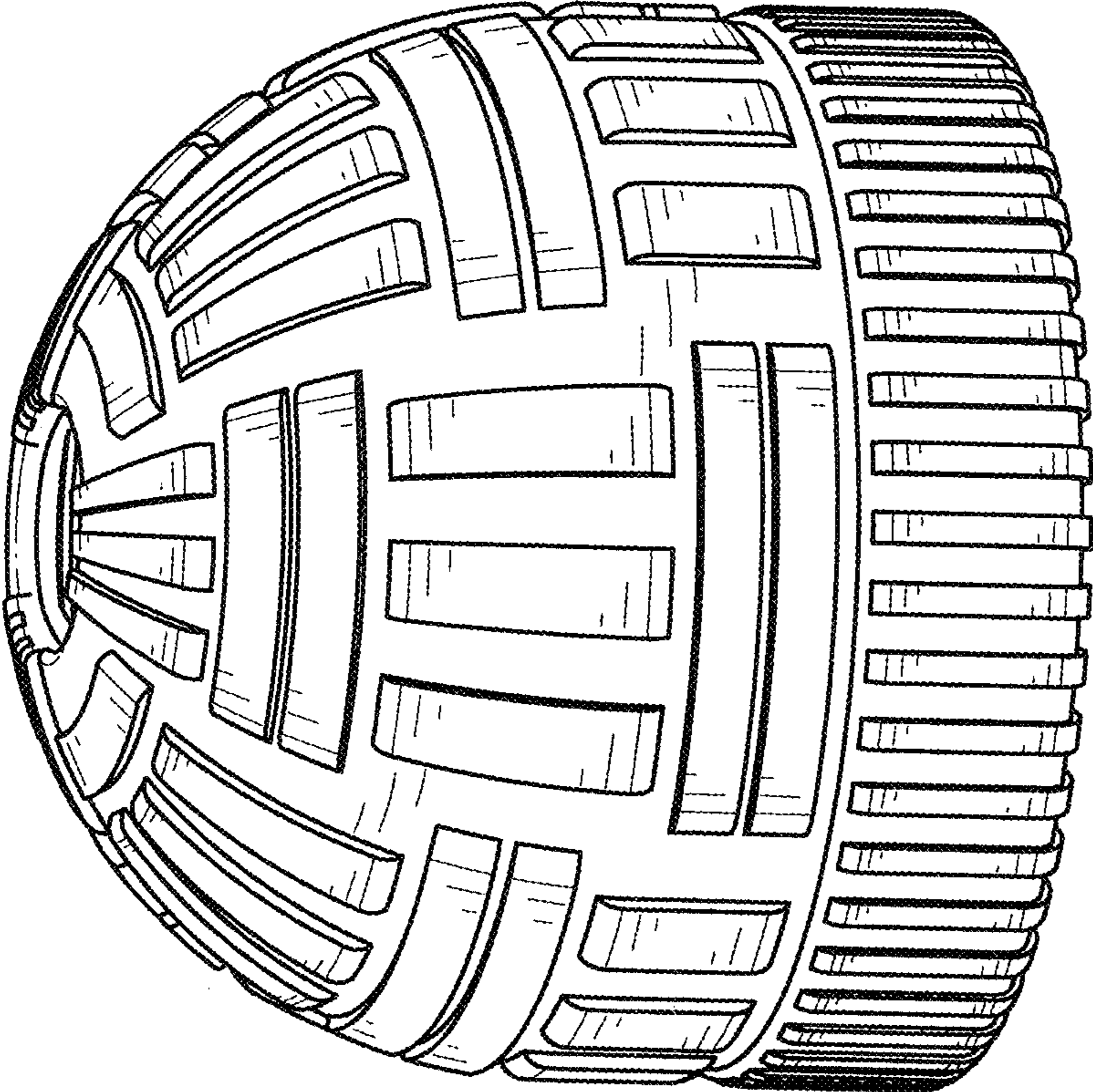


FIG. 1

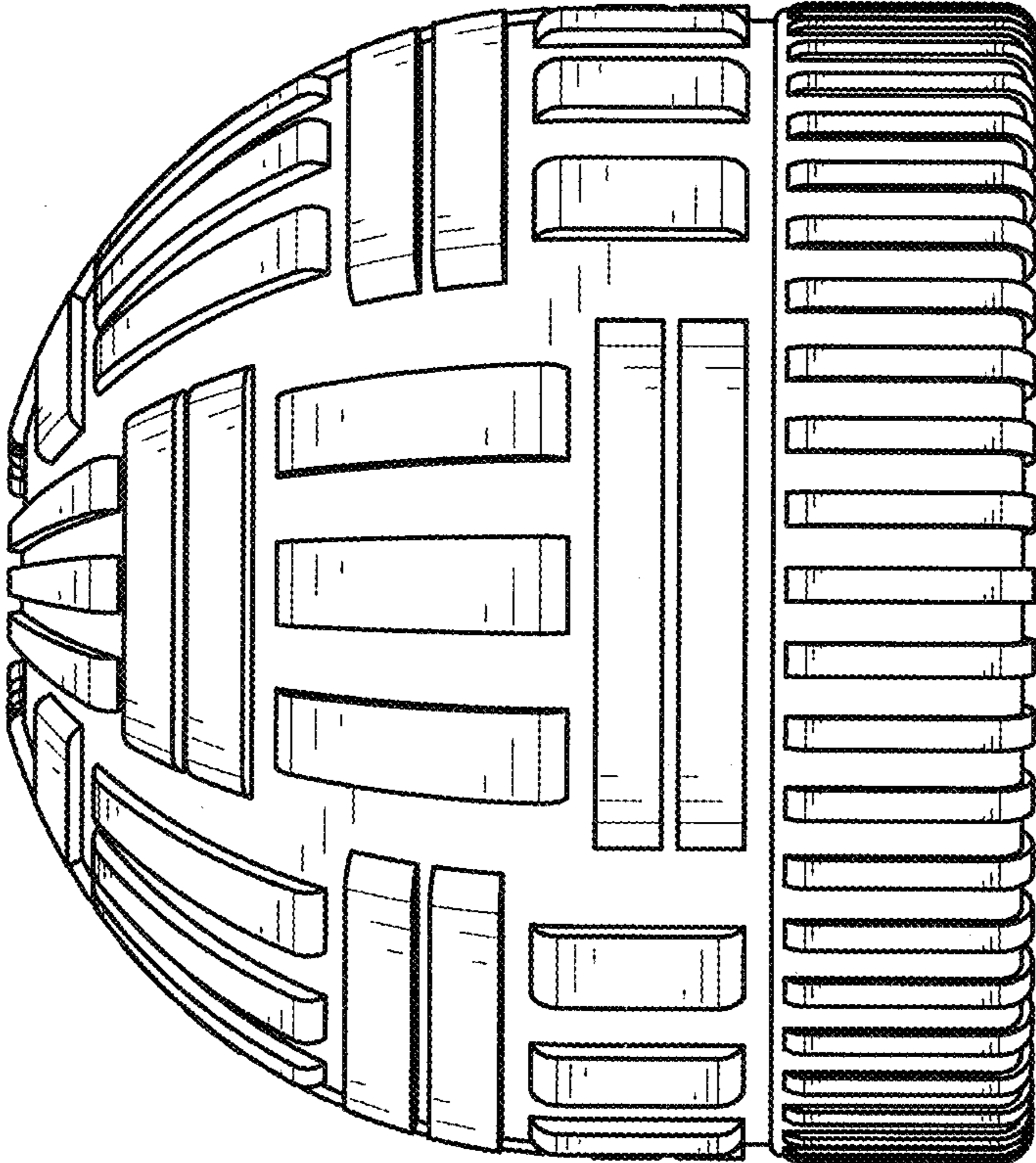


FIG. 2

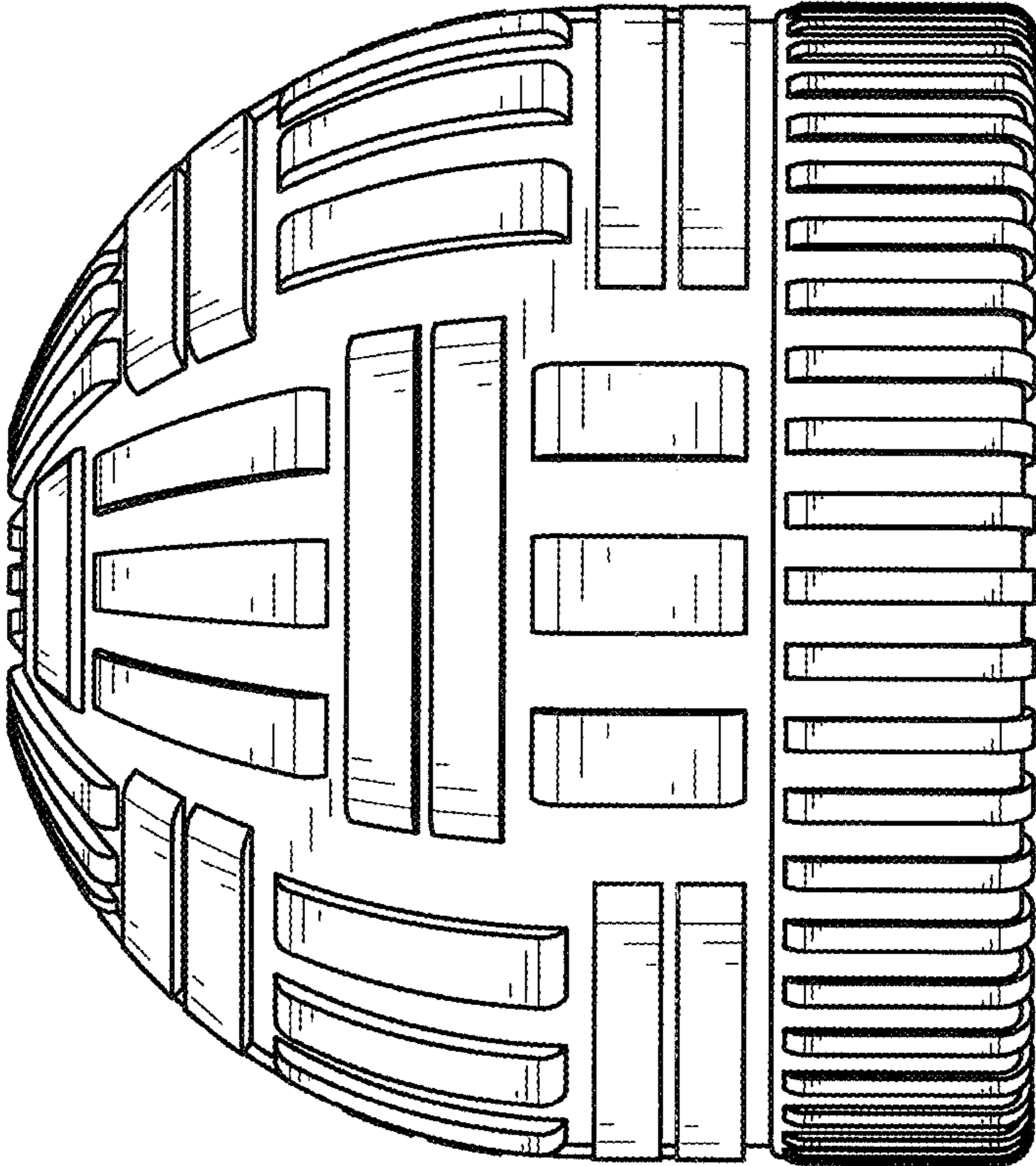


FIG. 3

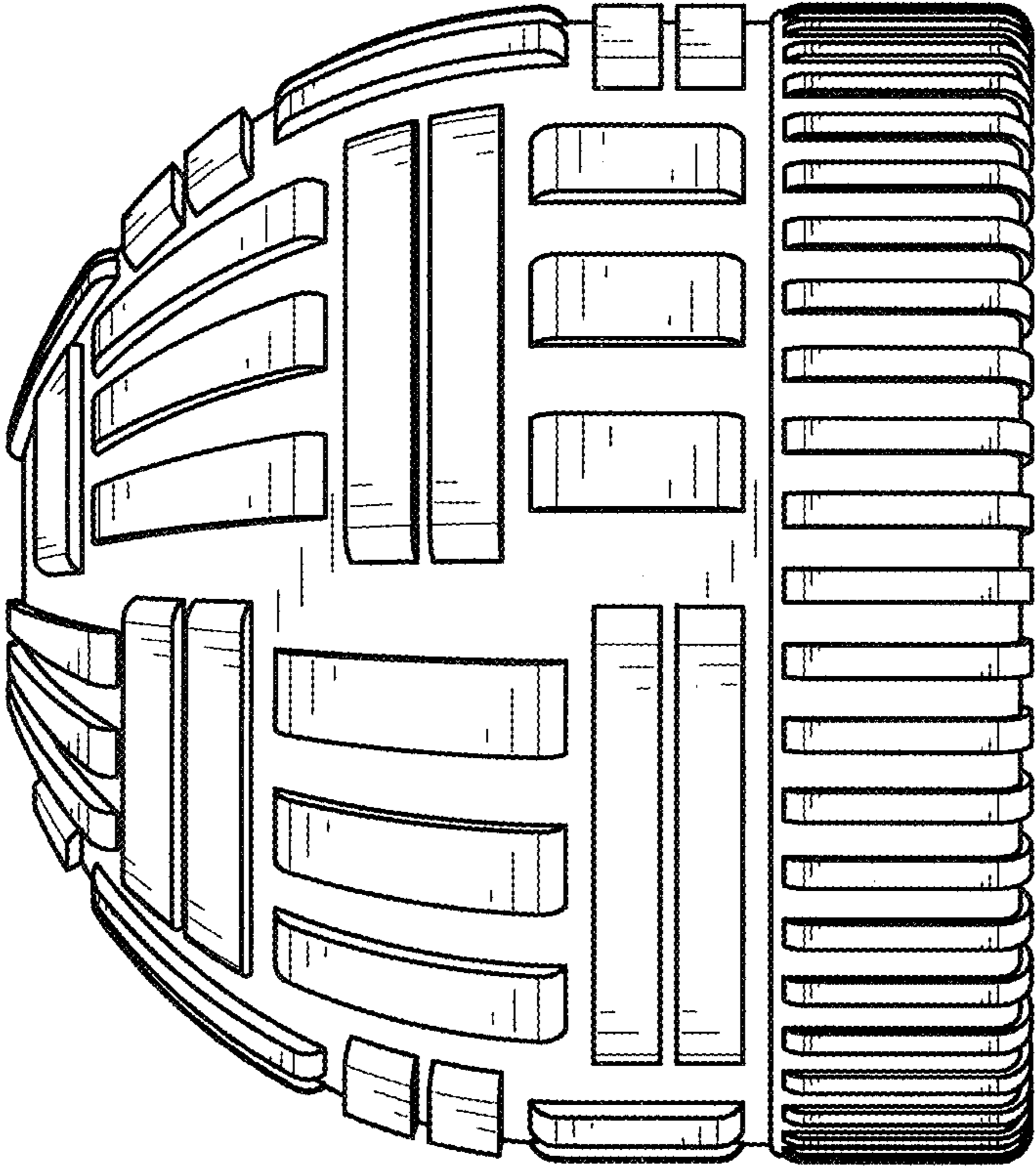


FIG. 4

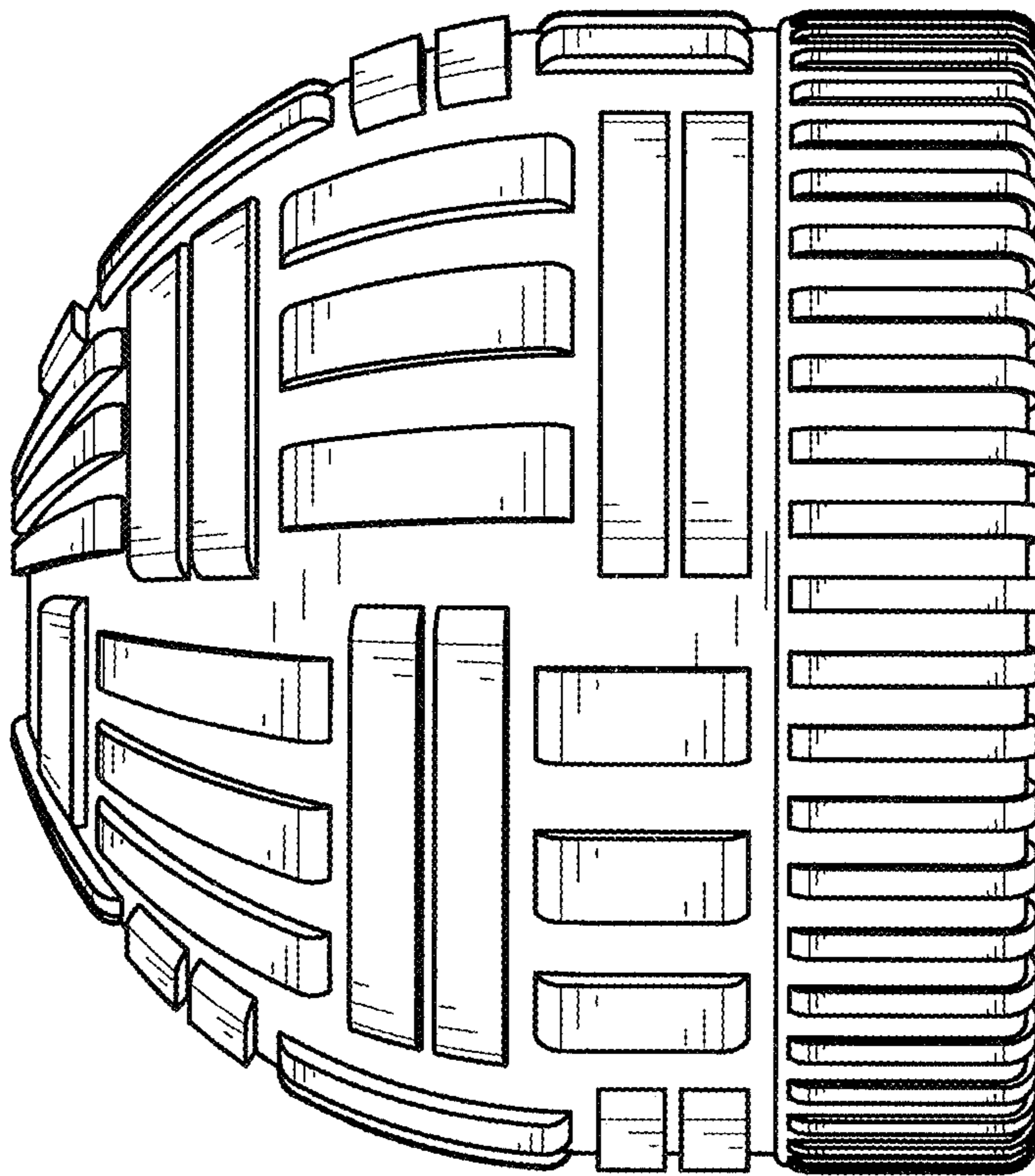


FIG. 5

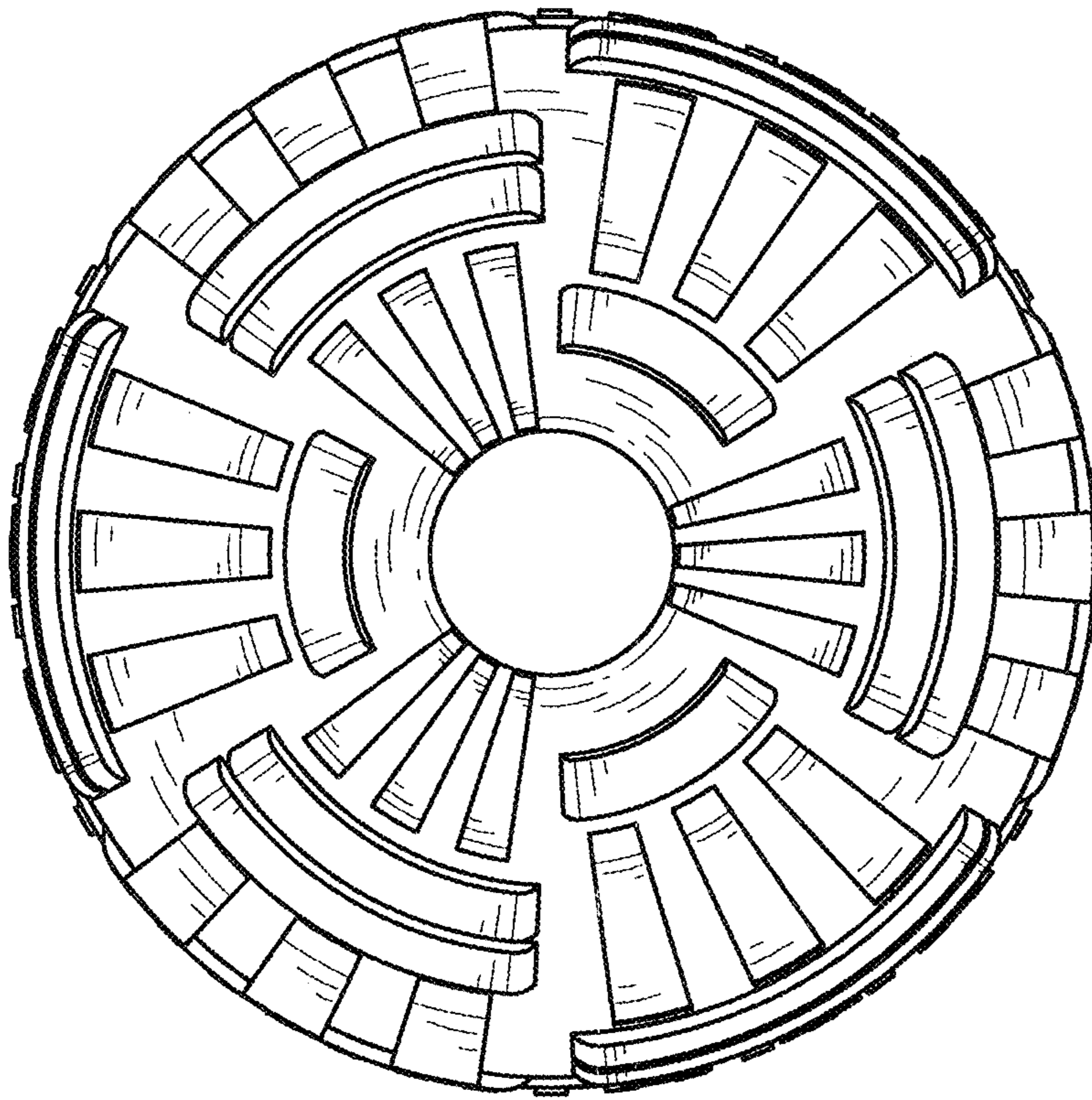


FIG. 6

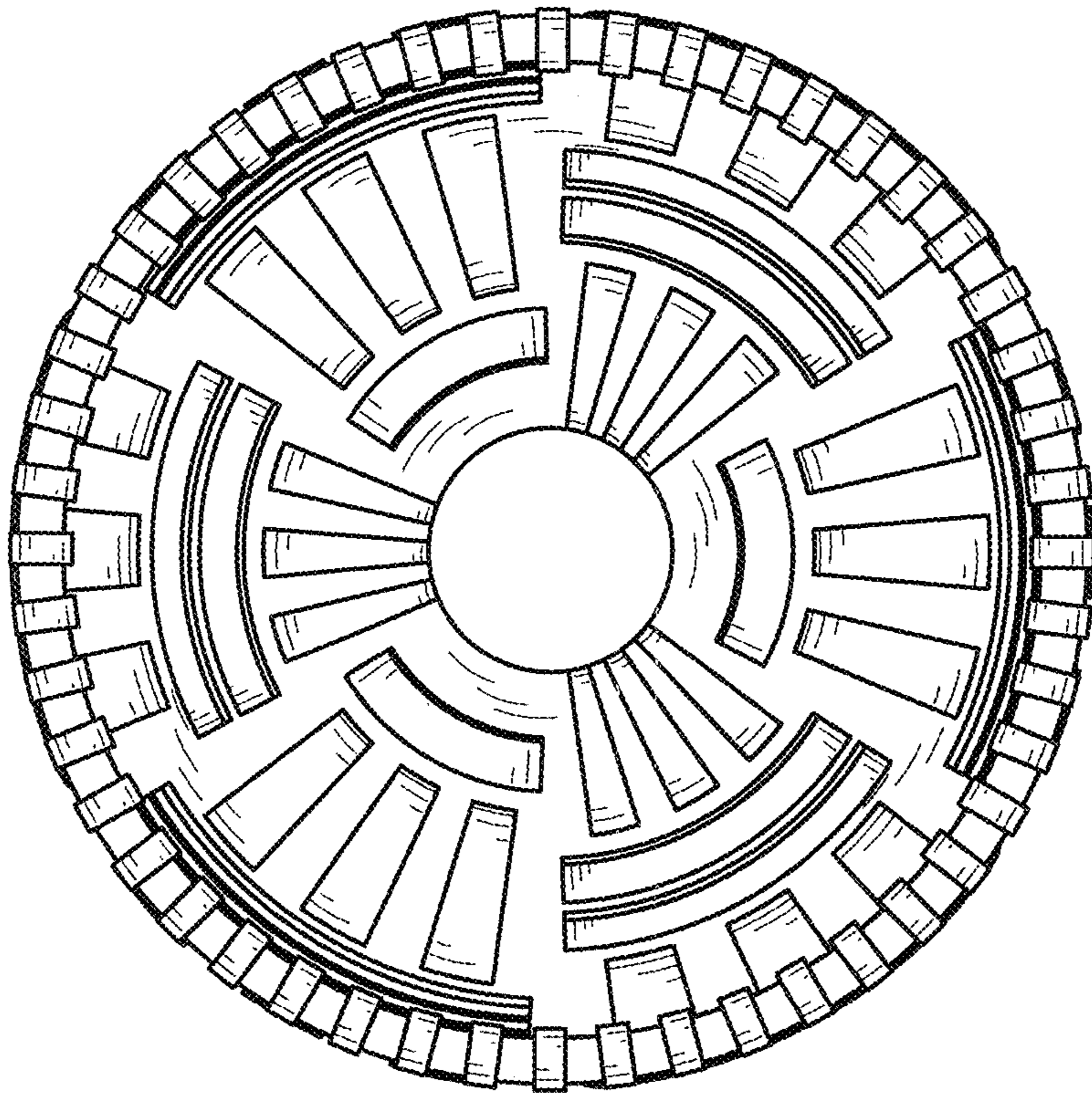


FIG. 7

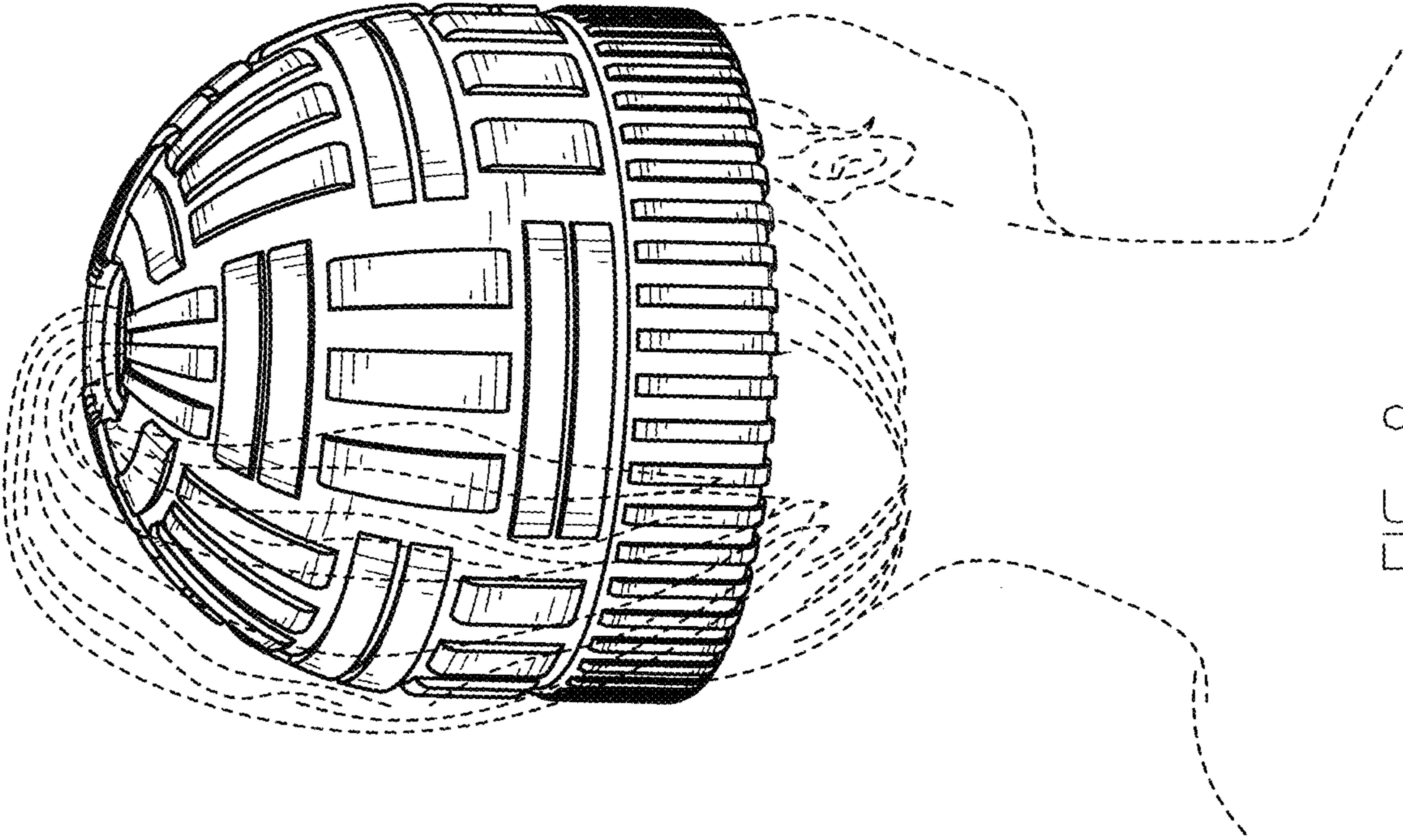


FIG. 8