



US00D892451S

(12) **United States Design Patent**
Duvall

(10) **Patent No.:** **US D892,451 S**

(45) **Date of Patent:** **** Aug. 11, 2020**

- (54) **VISOR**
- (71) Applicant: **The Boulevard Group, LLC**,
Alpharetta, GA (US)
- (72) Inventor: **Jim Duvall**, Alpharetta, FL (US)
- (73) Assignee: **The Boulevard Group, LLC**,
Alpharetta, GA (US)
- (**) Term: **15 Years**

D423,194	S *	4/2000	Shwartz	D2/876
6,311,331	B1	11/2001	Park		
6,789,267	B2	9/2004	Ahn		
6,959,454	B2	11/2005	DeWinter		
D518,626	S *	4/2006	Peterson	D2/882
7,082,618	B1	8/2006	Muso		
D592,834	S	5/2009	Keiser		
D621,137	S *	8/2010	Byrne	D2/876
8,516,618	B2	8/2013	Adams		
9,032,555	B2	5/2015	Kim		
D764,149	S *	8/2016	Vazquez Hernandez	D2/882
2004/0093654	A1	5/2004	Hanrahan		
2005/0283879	A1 *	12/2005	Graves	A61F 9/045 2/15

(21) Appl. No.: **29/645,195**

(Continued)

(22) Filed: **Apr. 24, 2018**

(51) **LOC (12) Cl.** **02-03**

(52) **U.S. Cl.**
USPC **D2/876**

(58) **Field of Classification Search**
USPC D2/865, 866, 871, 872, 873, 875, 876,
D2/882, 884, 893
CPC .. A42B 1/00; A42B 1/004; A42B 1/02; A42B
1/06; A42B 1/062; A42B 1/201; A42B
1/22; A42B 1/225; A42B 1/24
See application file for complete search history.

(56) **References Cited**

U.S. PATENT DOCUMENTS

D136,539	S *	10/1943	Jones	D29/109
4,023,212	A	5/1977	Huffman		
4,277,847	A *	7/1981	Florio	A61F 9/045 2/12
D306,222	S *	2/1990	Lee	D2/876
5,121,506	A *	6/1992	Ulrich	A61F 9/045 2/171.5
5,125,113	A	6/1992	Yun		
5,177,811	A *	1/1993	Ulrich	A42B 1/062 2/209.3
5,239,704	A	8/1993	Cornelio		
D391,741	S *	3/1998	Baker	D2/882
5,884,334	A	3/1999	Collette		
5,901,371	A	5/1999	Lee		

OTHER PUBLICATIONS

GLJ Trading, Sun Visor UV Protection Cap Hiking Golf Tennis Outdoor, Amazon.com, Feb. 14, 2018, Amazon.com, Internet.

Primary Examiner — Jasmine Mlinarcik
(74) *Attorney, Agent, or Firm* — Dennen IP Law, LLC

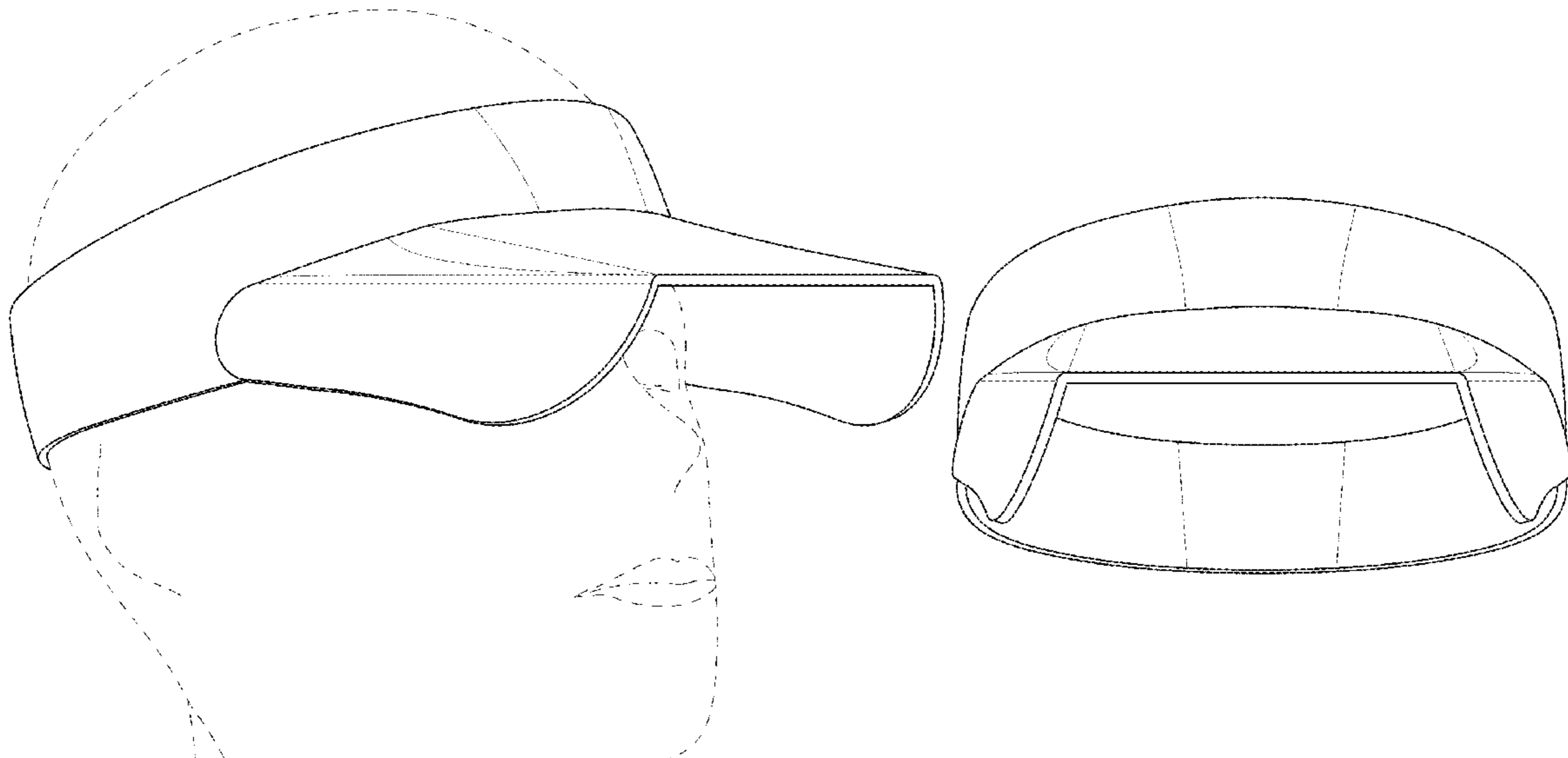
(57) **CLAIM**

The ornamental design for a visor, as shown and described.

DESCRIPTION

FIG. 1 is a right, side perspective view of a visor in a position of use;
FIG. 2 is a right, side perspective view thereof;
FIG. 3 is a front view thereof;
FIG. 4 is a left side view thereof;
FIG. 5 is a hack view thereof;
FIG. 6 is a right side view thereof;
FIG. 7 is a top plan view thereof; and,
FIG. 8 is a bottom plan view thereof;
The broken-line of the partial human figure assists in illustrating how the claimed design may appear when worn, but forms no part of the claimed invention.

1 Claim, 8 Drawing Sheets



(56)

References Cited

U.S. PATENT DOCUMENTS

2009/0144882 A1* 6/2009 Neri A42B 1/24
2/209.13
2013/0125292 A1 5/2013 Weaver et al.
2017/0071278 A1 3/2017 Schulz
2017/0245574 A1 8/2017 Danko
2018/0352889 A1* 12/2018 Schulz A42B 1/045

* cited by examiner

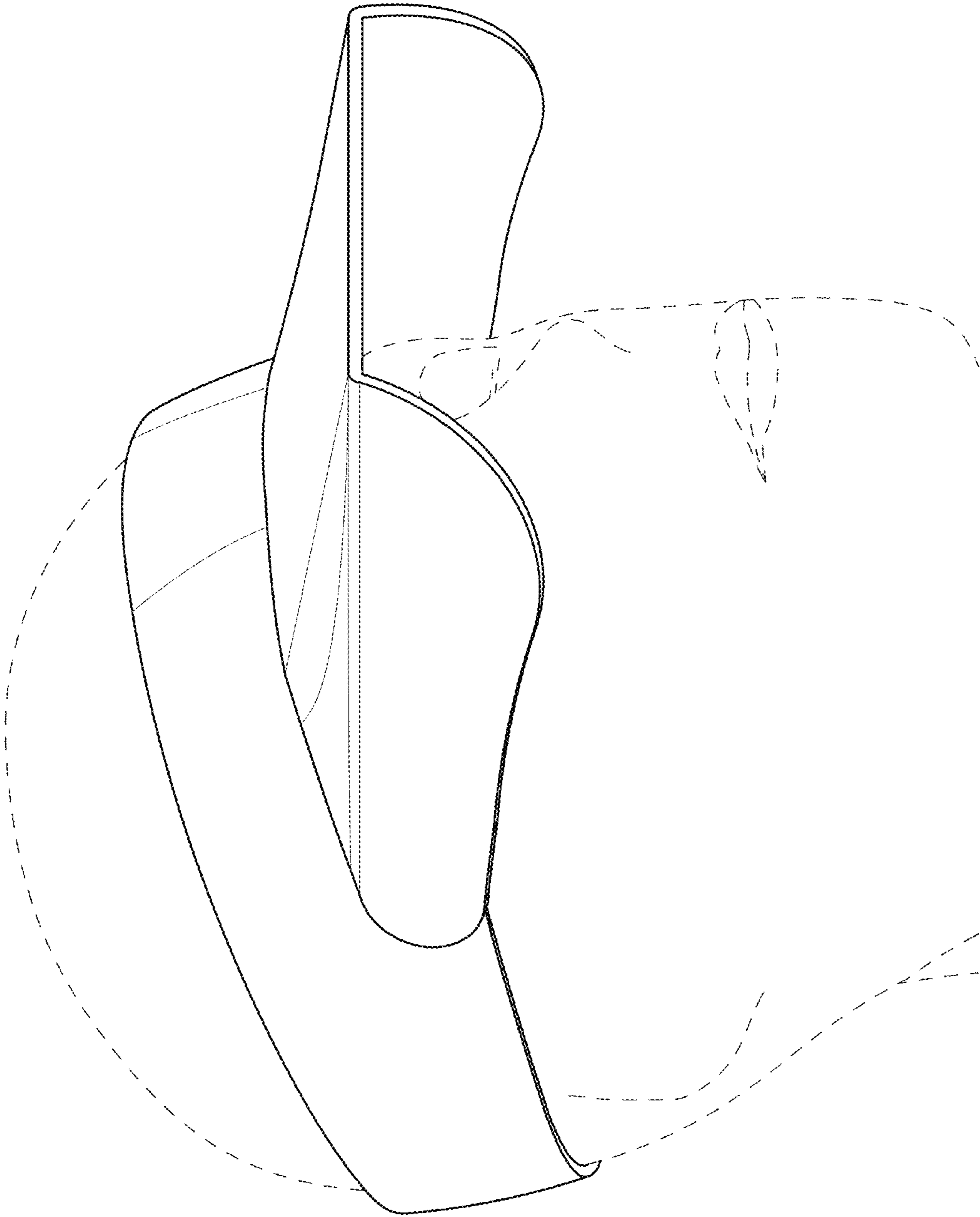


FIG. 1

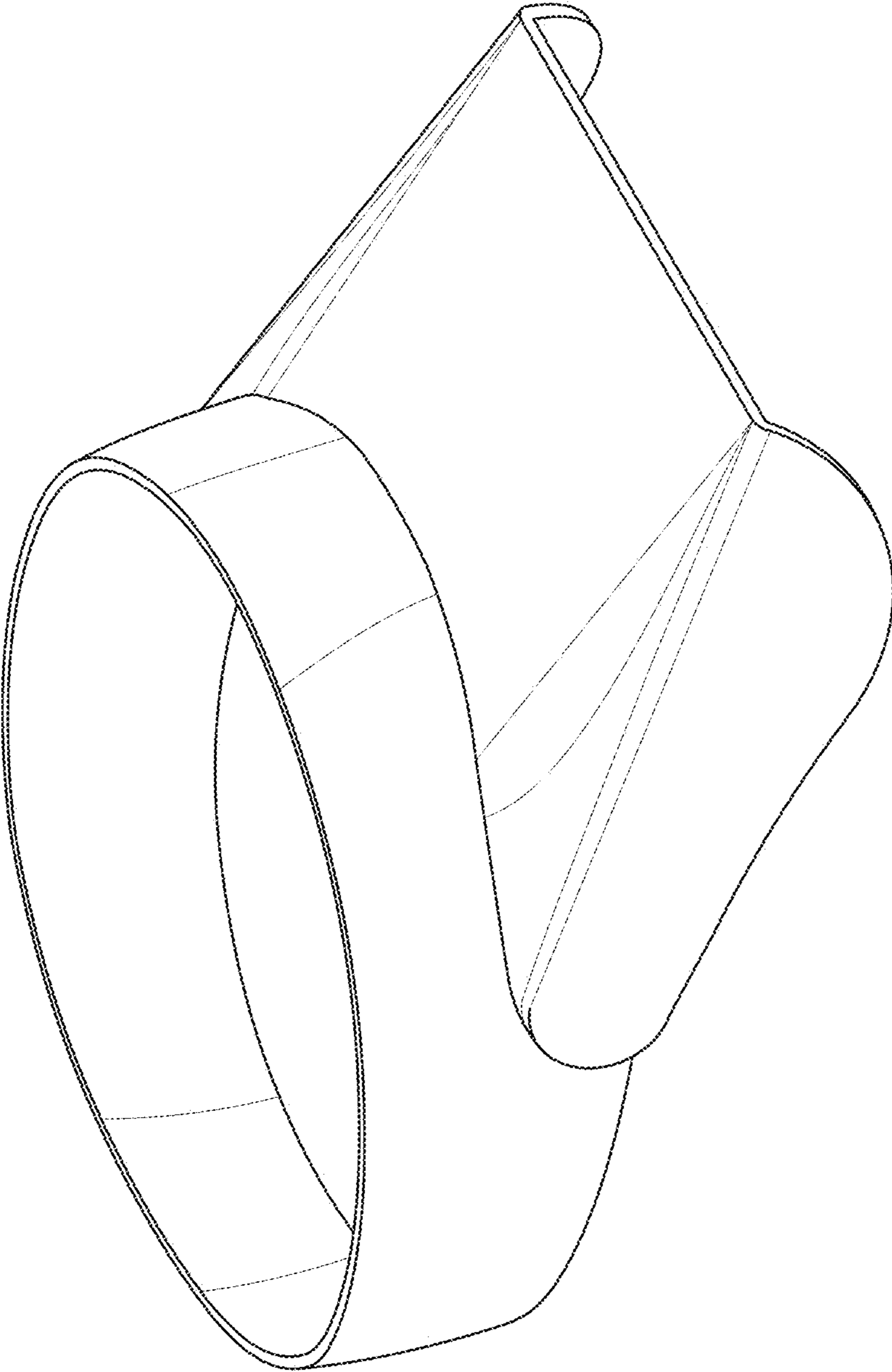


FIG. 2

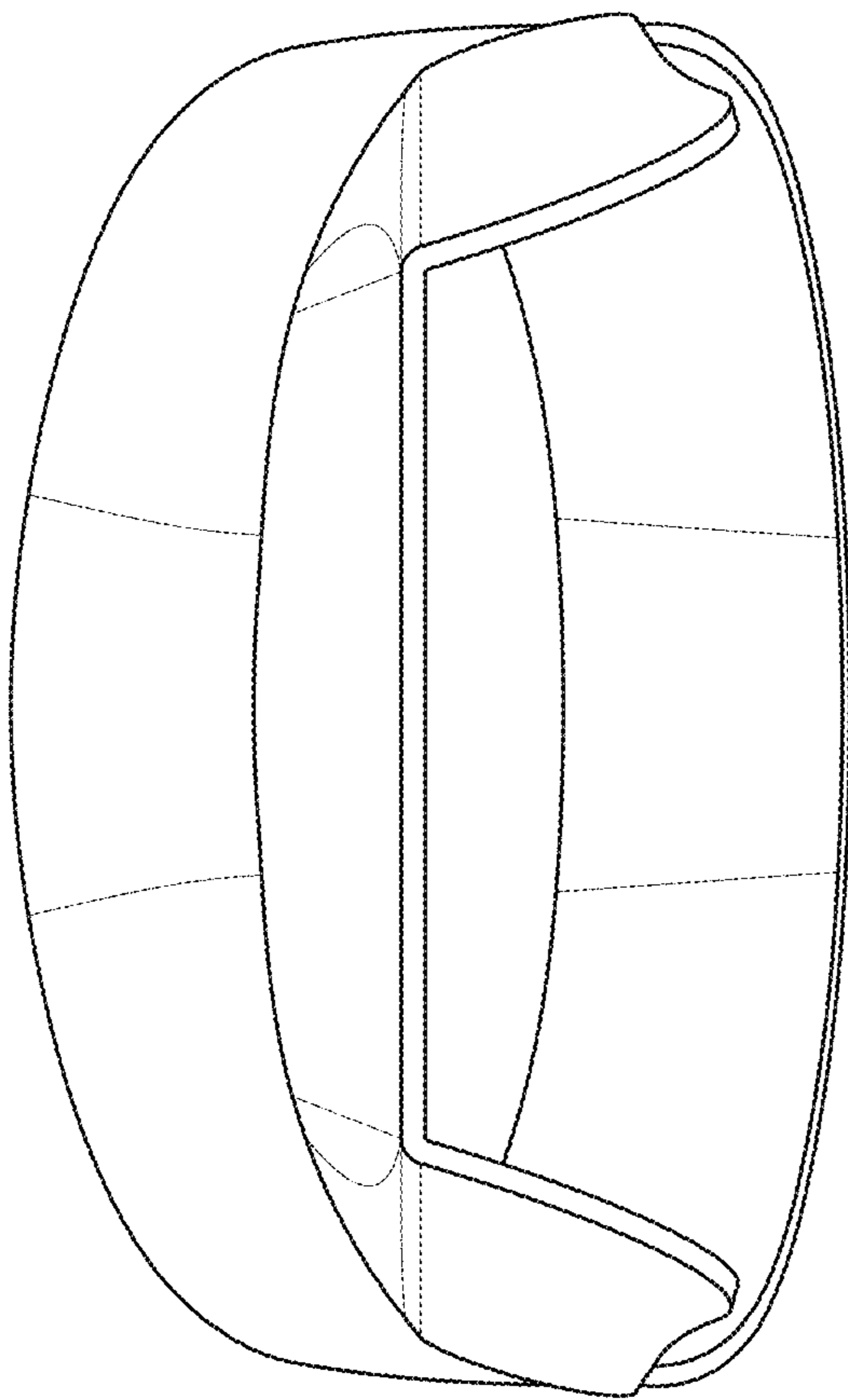


FIG. 3

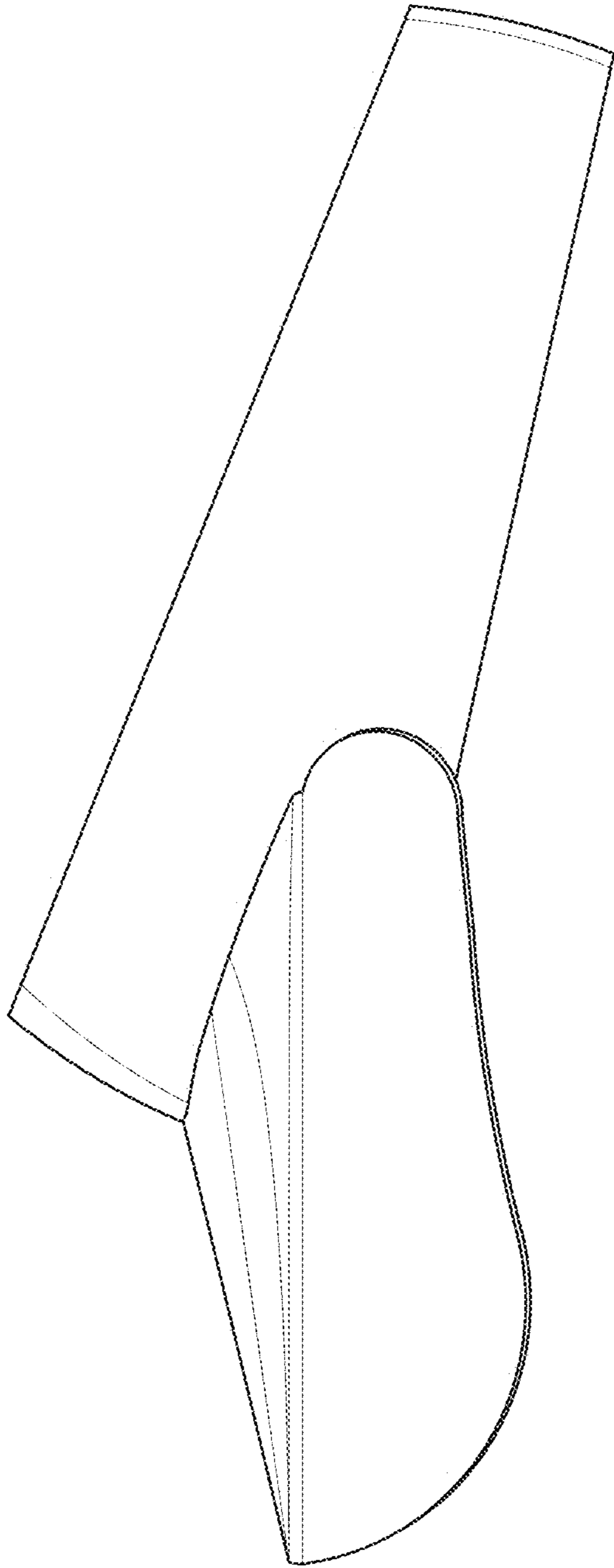


FIG. 4

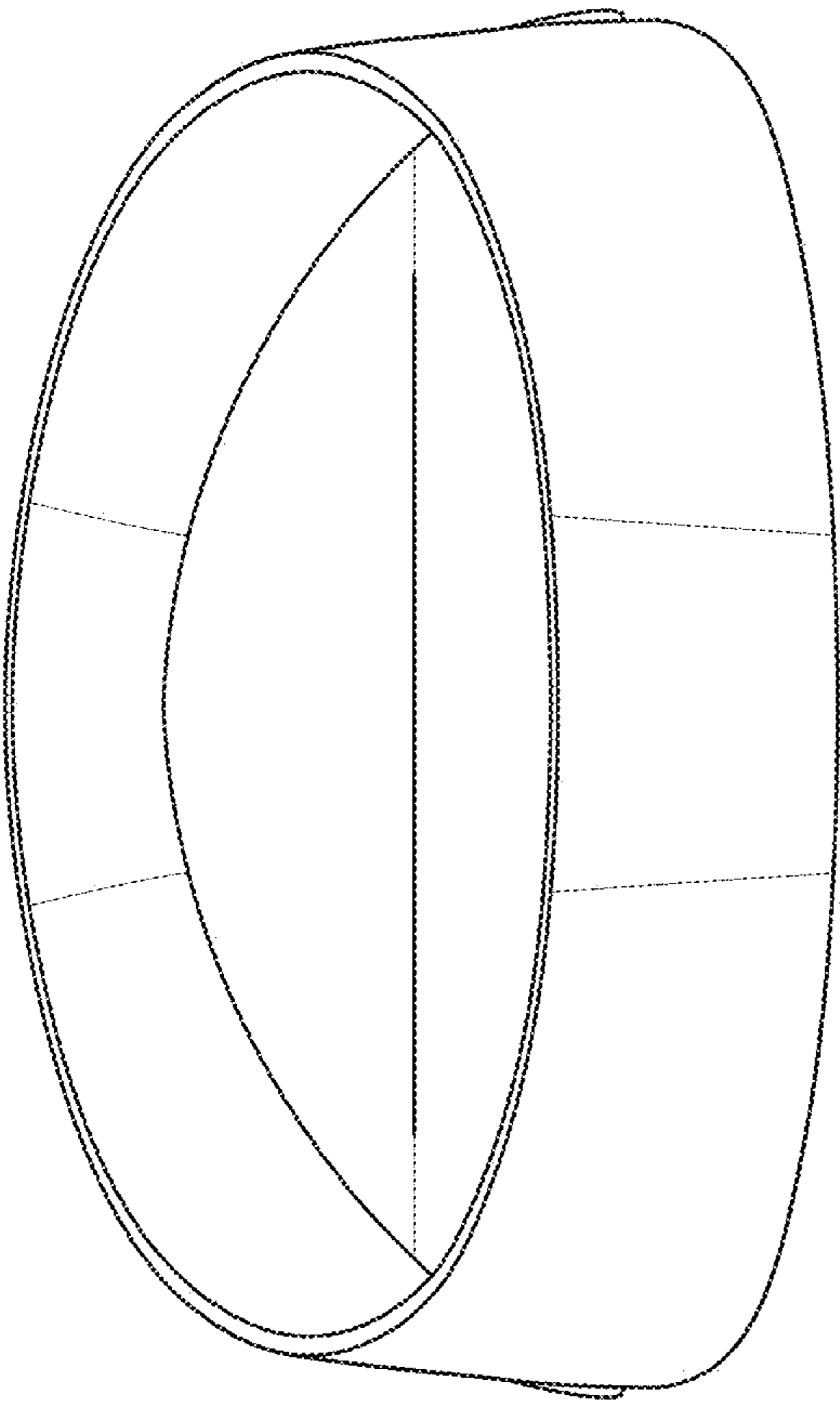


FIG. 5

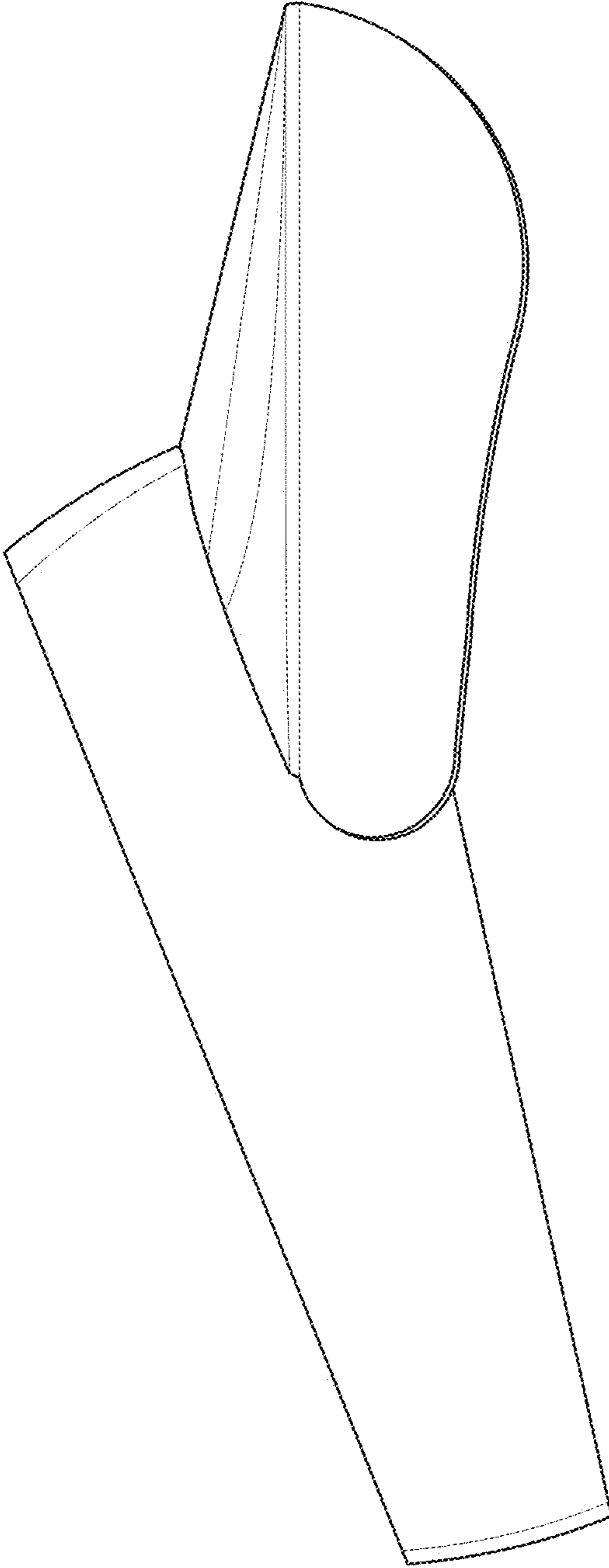


FIG. 6

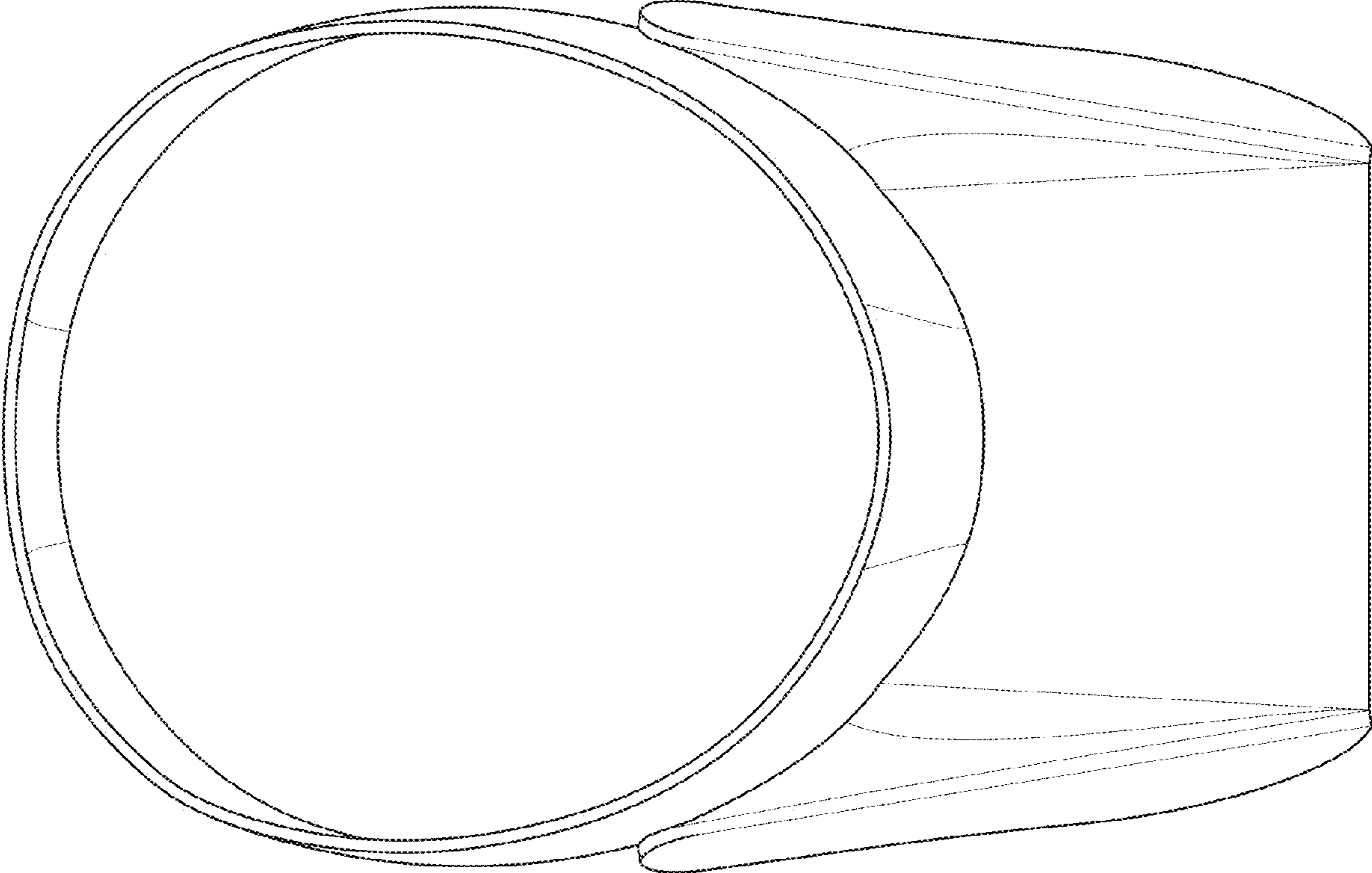


FIG. 7

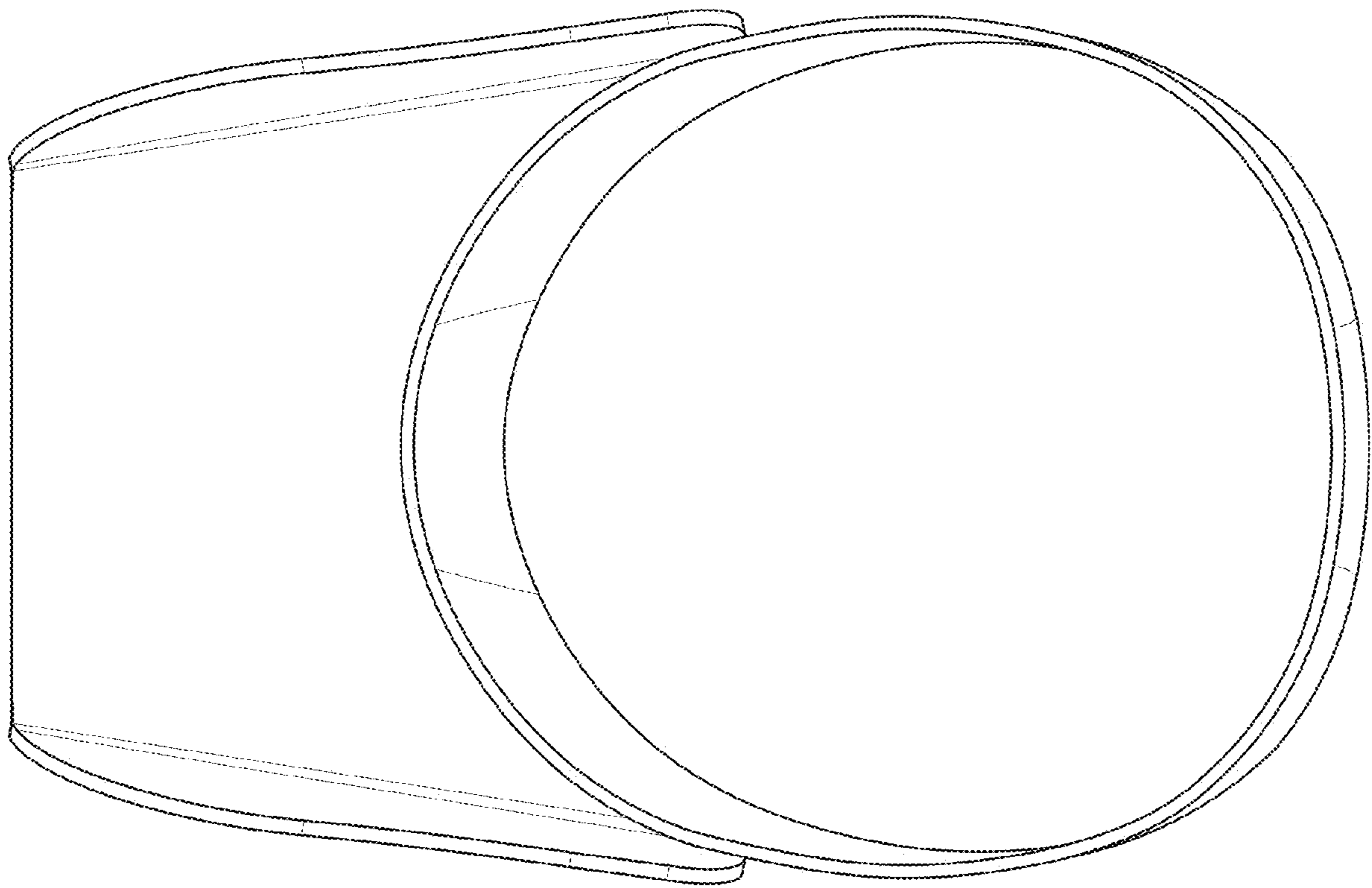


FIG. 8