

US00D892443S

(12) **United States Design Patent**
Smith

(10) **Patent No.:** **US D892,443 S**

(45) **Date of Patent:** **** Aug. 11, 2020**

(54) **BEVERAGE HELMET**

(71) Applicant: **Argento SC By Sicura Inc.**, New York, NY (US)

(72) Inventor: **Sean Smith**, New York, NY (US)

(73) Assignee: **Argento SC By Sicura Inc.**, New York, NY (US)

(**) Term: **15 Years**

(21) Appl. No.: **29/654,212**

(22) Filed: **Jun. 21, 2018**

(51) **LOC (12) Cl.** **02-03**

(52) **U.S. Cl.**
USPC **D2/866; D2/869**

(58) **Field of Classification Search**
USPC D2/865, 866, 868, 869, 872, 873, 874,
D2/875, 876, 879, 880, 881, 882, 886,
D2/891, 895; D14/205; D29/102, 103,
D29/104, 108, 109, 110
CPC .. A42B 1/00; A42B 1/004; A42B 1/24; A42B
1/245; A42B 1/248; A42B 3/048
See application file for complete search history.

(56) **References Cited**

U.S. PATENT DOCUMENTS

D179,967 S *	4/1957	Erickson	D29/104
3,381,308 A *	5/1968	Fineberg	A42B 1/004 2/182.6
D283,268 S *	4/1986	Rebiskie	224/181
D283,749 S	5/1986	Bound		
D287,061 S *	12/1986	Bound	D2/866
4,681,244 A *	7/1987	Geddie	A42B 3/048 222/144.5
D335,384 S *	5/1993	Beitscher	D2/741
D396,940 S *	8/1998	Clegg	D2/869
D414,591 S *	10/1999	Baker	D2/869

6,105,827 A	8/2000	Rowan	
D448,527 S *	9/2001	Sav D29/103
D458,735 S *	6/2002	Cook D2/869
D617,535 S *	6/2010	Clement D2/866
D626,727 S *	11/2010	Lansdon D2/872
9,179,724 B1 *	11/2015	Schultz A42B 1/006

OTHER PUBLICATIONS

Blksmith Viking Beer Hat Helmet, [online]; [review published to the Internet on Jul. 4, 2019]; [retrieved from the Internet on Feb. 7, 2020]; URL: <https://www.groupon.com/deals/gg-cm-blksmith-viking-beer-helmet-for-sports-tailgating-and-parties>. (5 pages).*

(Continued)

Primary Examiner — Jasmine Mlinarcik
(74) *Attorney, Agent, or Firm* — Amster, Rothstein & Ebenstein LLP

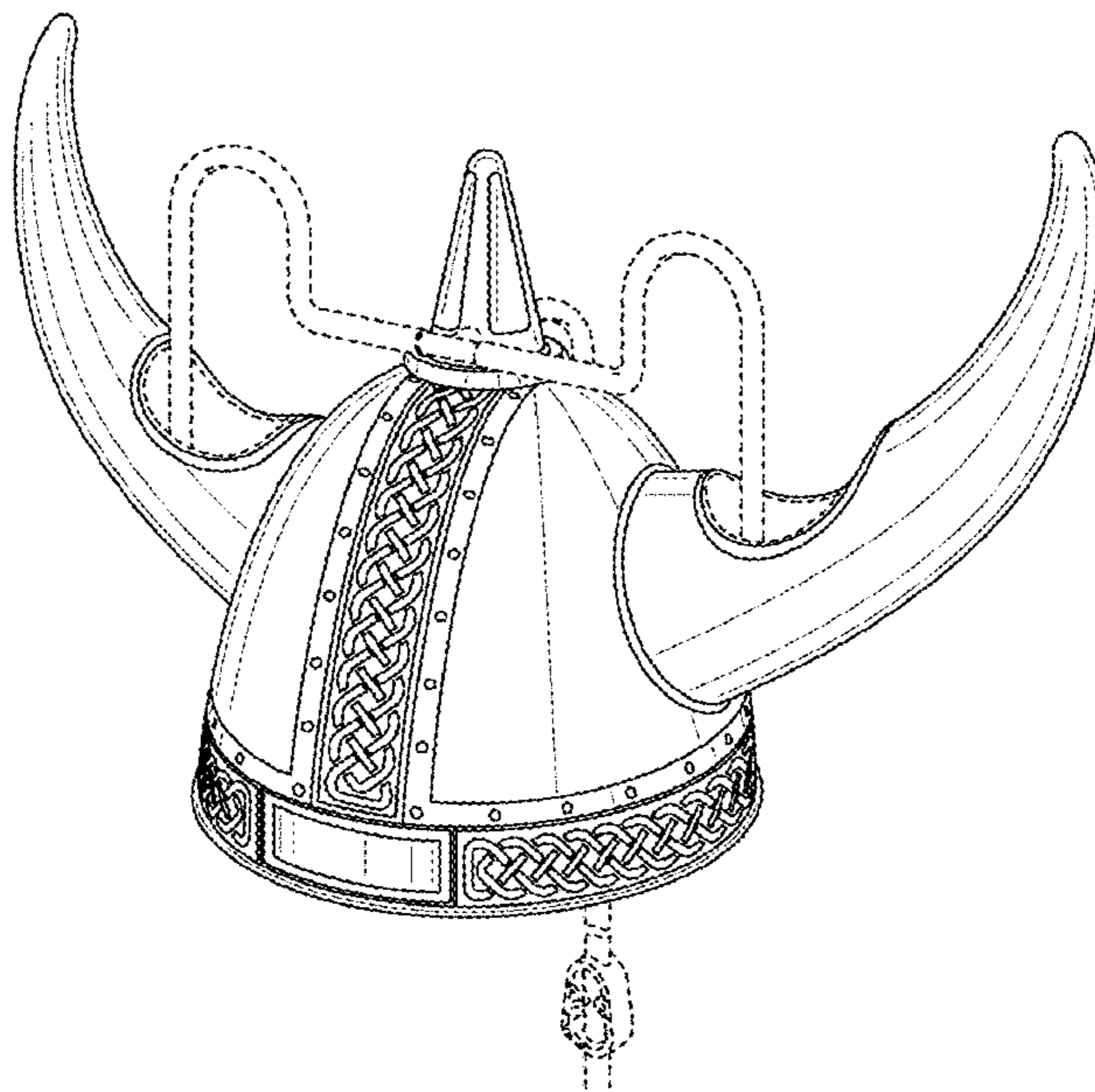
(57) **CLAIM**

The ornamental design for a beverage helmet, as shown and described.

DESCRIPTION

FIG. 1 is a front perspective view of an embodiment of the beverage helmet;
FIG. 2 is a front view thereof;
FIG. 3 is a rear view thereof;
FIG. 4 is a left side view thereof;
FIG. 5 is a right side view thereof;
FIG. 6 is a top plan view thereof; and,
FIG. 7 is a bottom plan view thereof.
The broken lines and unshaded areas within the broken lines define portions of the beverage helmet that form no part of the claimed design.

1 Claim, 7 Drawing Sheets



(56)

References Cited

OTHER PUBLICATIONS

Blksmith Viking Can Holder Helmet . . . , [online]; [review published to the internet on Apr. 5, 2019]; [retrieved from the Internet on Feb. 7, 2020]; URL: https://www.amazon.com/Blksmith-Viking-Holder-Helmet-Events/dp/B07N8J79GB/ref=cm_cr_ar_p_d_product_top?ie=UTF8. (4 pages).*

“Kangaroo Viking Helmet: Toys & Games.” Retrieved Jun. 21, 2018, from <https://www.amazon.com/Kangaroo-KM-10011-138-Viking-Helmet/dp/B00O173B7C/>.

* cited by examiner

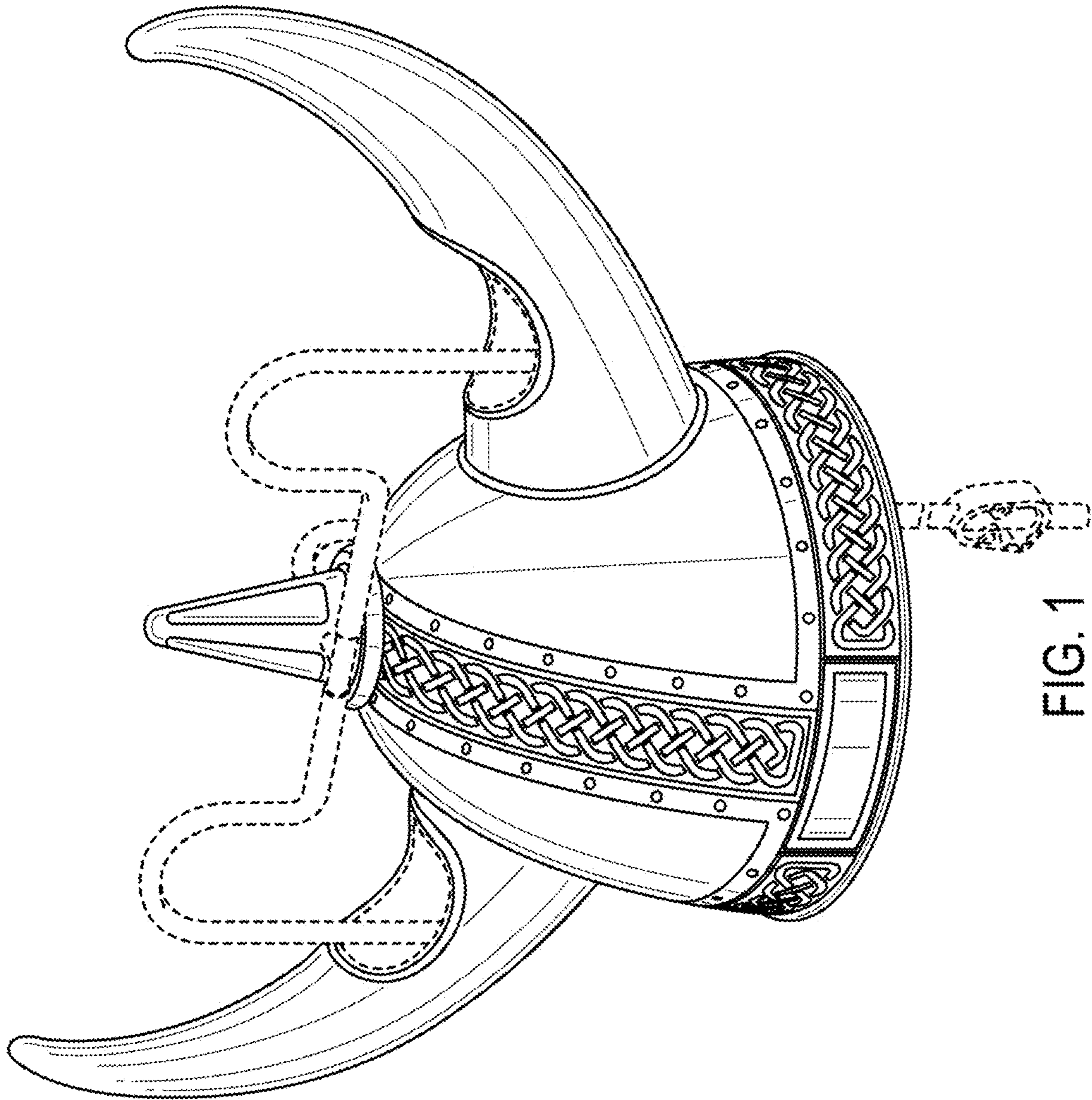


FIG. 1

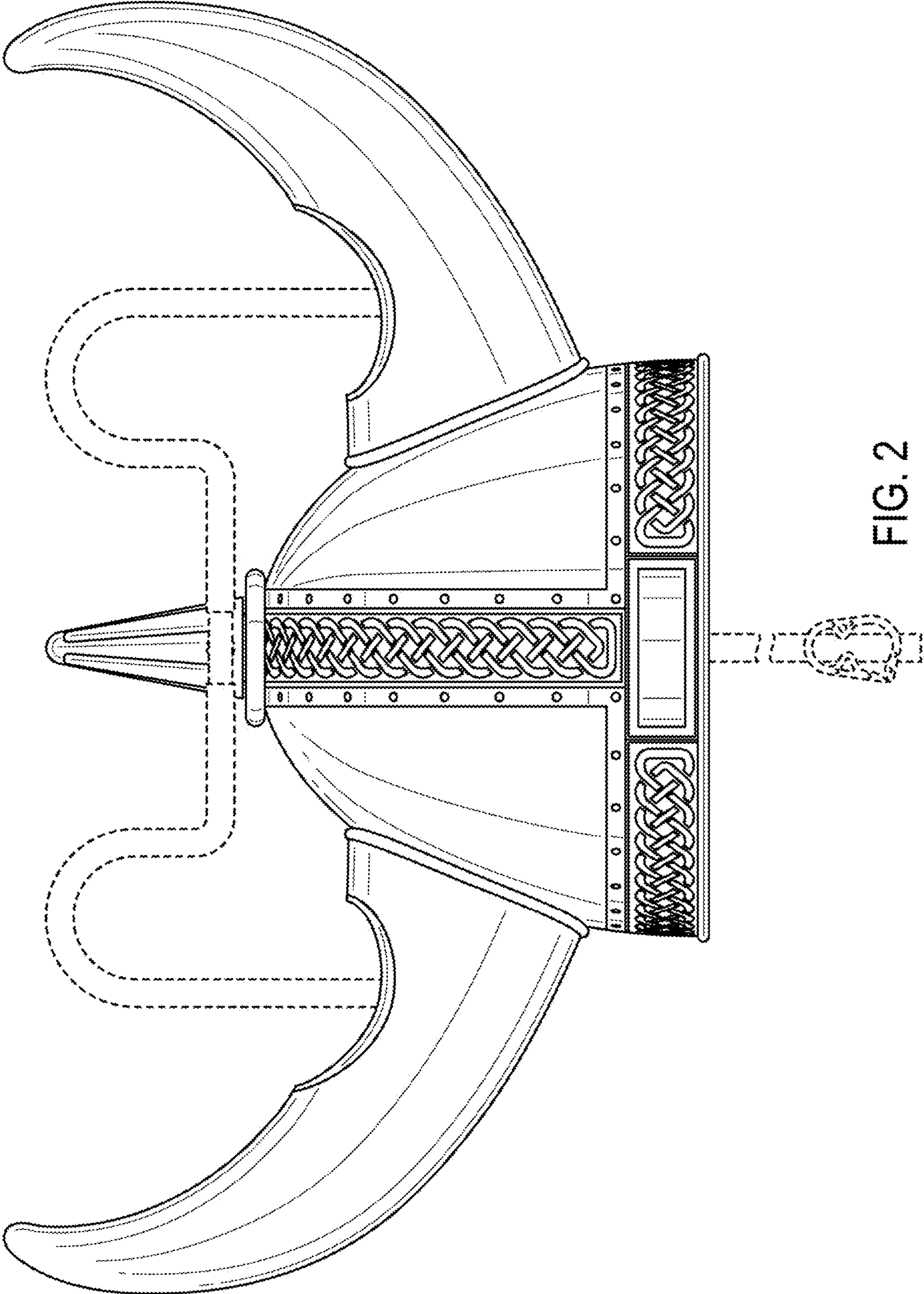


FIG. 2

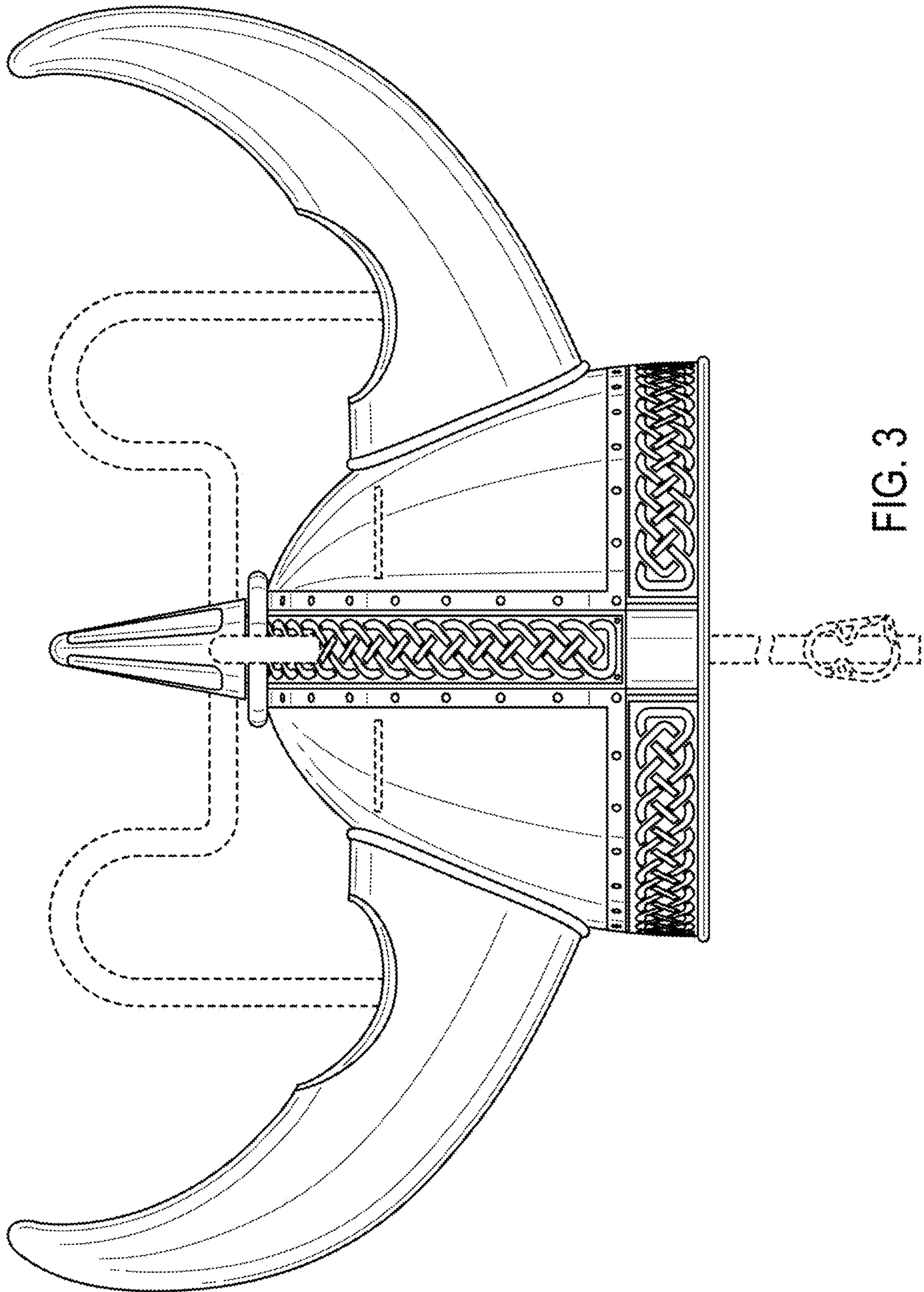


FIG. 3

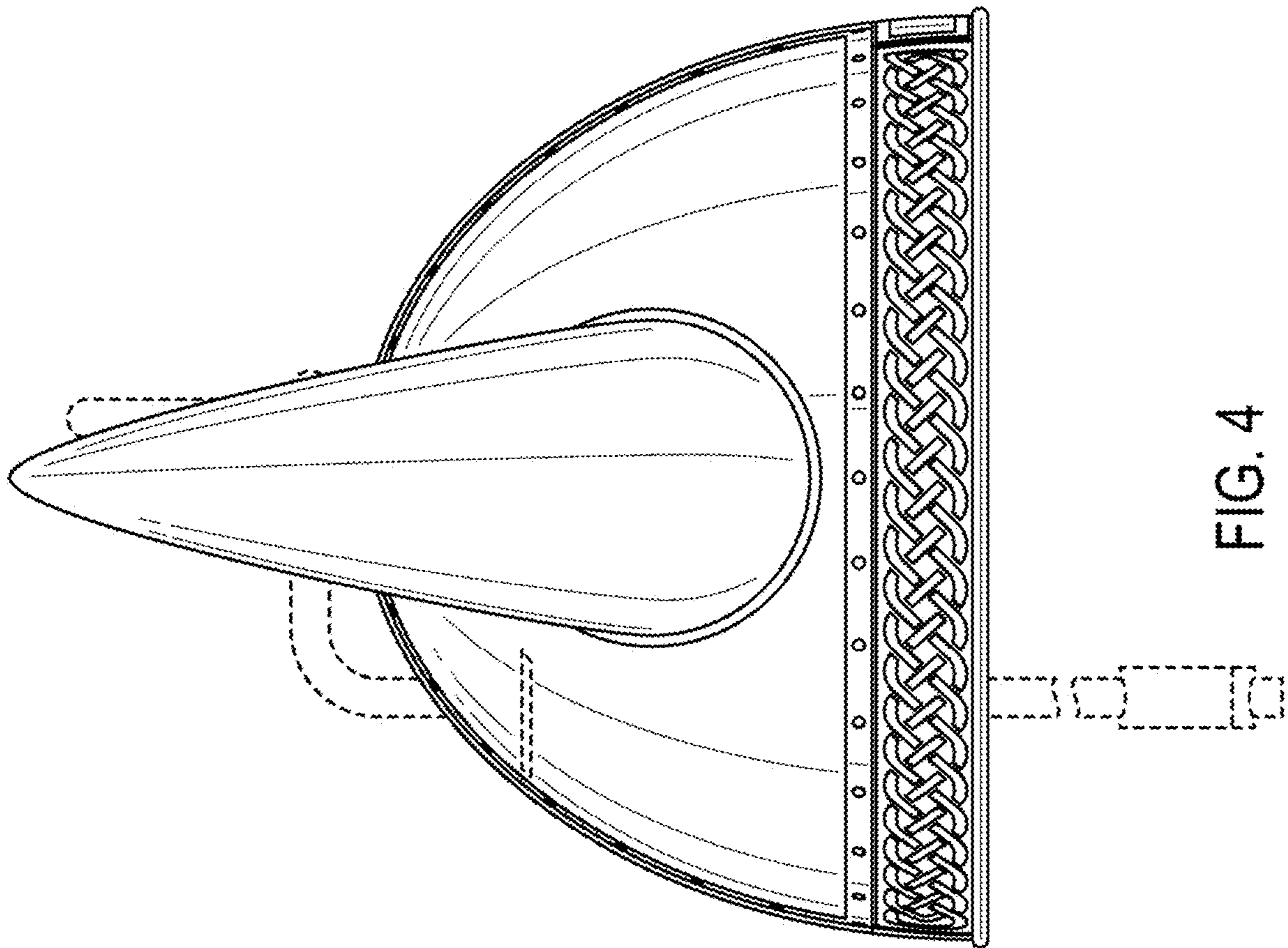


FIG. 4

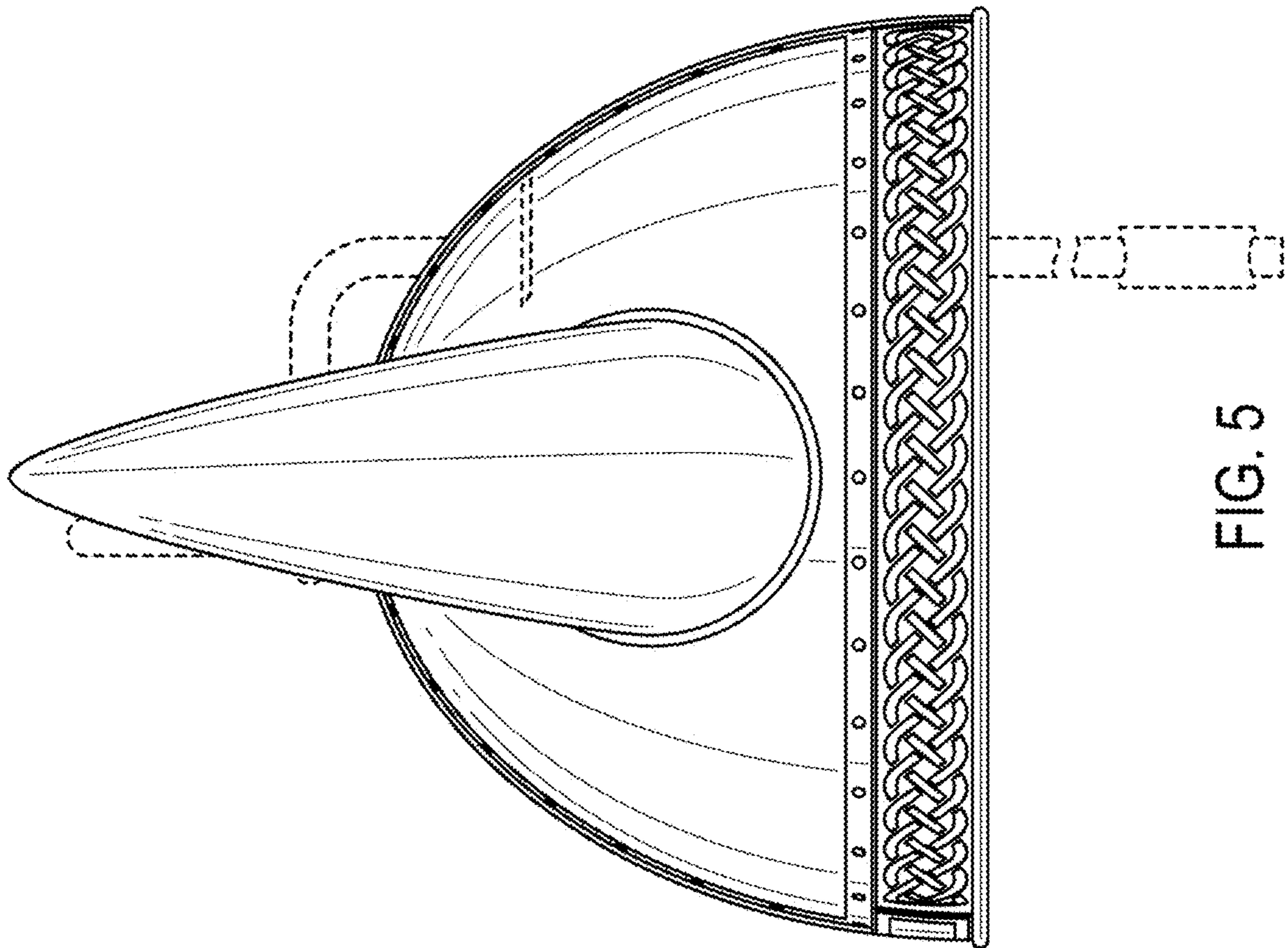


FIG. 5

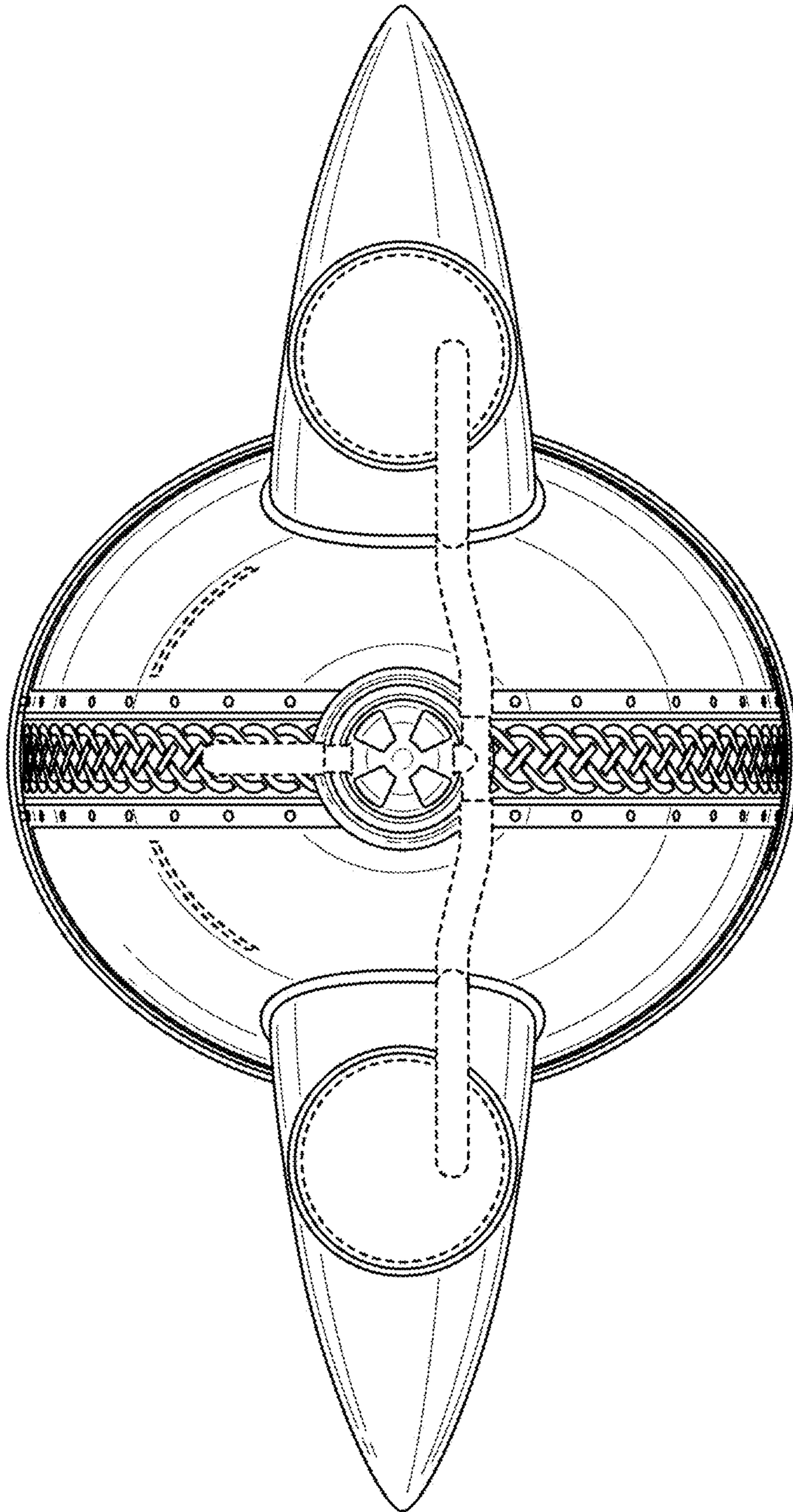


FIG. 6

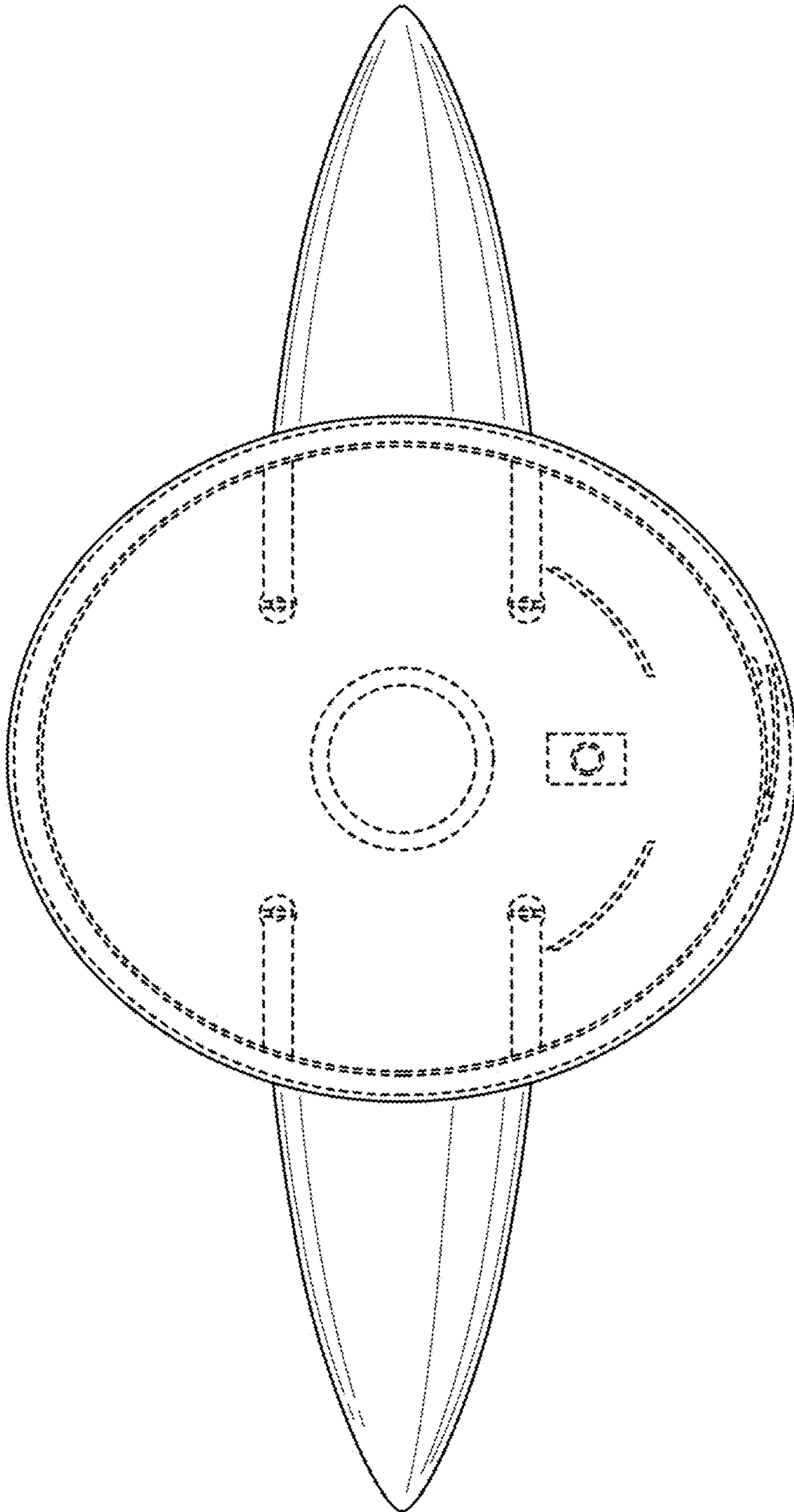


FIG. 7