



US00D892442S

(12) **United States Design Patent** (10) **Patent No.:** **US D892,442 S**  
**Atkins** (45) **Date of Patent:** **\*\* Aug. 11, 2020**

(54) **BEVERAGE DISPENSING UMBRELLA CAP**

(71) Applicant: **Ty Atkins**, Jacksonville, FL (US)

(72) Inventor: **Ty Atkins**, Jacksonville, FL (US)

(\*\*) Term: **15 Years**

(21) Appl. No.: **29/637,681**

(22) Filed: **Feb. 21, 2018**

(51) **LOC (12) Cl.** ..... **02-03**

(52) **U.S. Cl.**

USPC ..... **D2/866; D2/872**

(58) **Field of Classification Search**

USPC ..... D2/865, 866, 868, 869, 872, 873, 874,  
D2/875, 876, 879, 880, 881, 882, 886,  
D2/891, 895

CPC .. A42B 1/00; A42B 1/004; A42B 1/24; A42B  
1/245; A42B 1/248; A42B 1/201

See application file for complete search history.

(56) **References Cited**

**U.S. PATENT DOCUMENTS**

65,871	A *	6/1867	Browne	.....	A42B 1/247 2/10
2,726,668	A *	12/1955	Levine	.....	A45B 11/04 116/173
3,049,720	A *	8/1962	Caine	.....	A42B 1/201 2/171.03
3,125,763	A *	3/1964	Baker	.....	A42B 1/201 2/171.03
3,491,374	A *	1/1970	Frangos	.....	A42B 3/28 2/171.3
D283,268	S *	4/1986	Rebiskie	.....	224/181
4,681,244	A	7/1987	Geddie		
4,739,905	A	4/1988	Nelson		
4,760,610	A	8/1988	Wu et al.		
5,966,743	A	10/1999	Flann		
D448,527	S *	9/2001	Sav	.....	D29/103
D617,535	S *	6/2010	Clement	.....	D2/866
9,179,724	B1	11/2015	Schultz et al.		

**OTHER PUBLICATIONS**

Duval Drip Limited Edition Tailgate Helmet; [on-line]; [review published to the Internet on Jul. 3, 2018]; [retrieved from the Internet on Mar. 1, 2019]; URL: <https://www.sipnshade.com/product/duval-tailgate-helmet/>. (3 pgs). (Year: 2018).\*

(Continued)

*Primary Examiner* — Jasmine Mlinarcik

(74) *Attorney, Agent, or Firm* — Boudwin Intellectual Property

(57) **CLAIM**

The ornamental design for a beverage dispensing umbrella cap, as shown and described.

**DESCRIPTION**

FIG. 1 is a perspective view of a beverage dispensing umbrella cap;

FIG. 2 is a right side elevation view of the beverage dispensing umbrella cap;

FIG. 3 is a left side elevation view of the beverage dispensing umbrella cap;

FIG. 4 is a front elevation view of the beverage dispensing umbrella cap;

FIG. 5 is a rear elevation view of beverage dispensing umbrella cap;

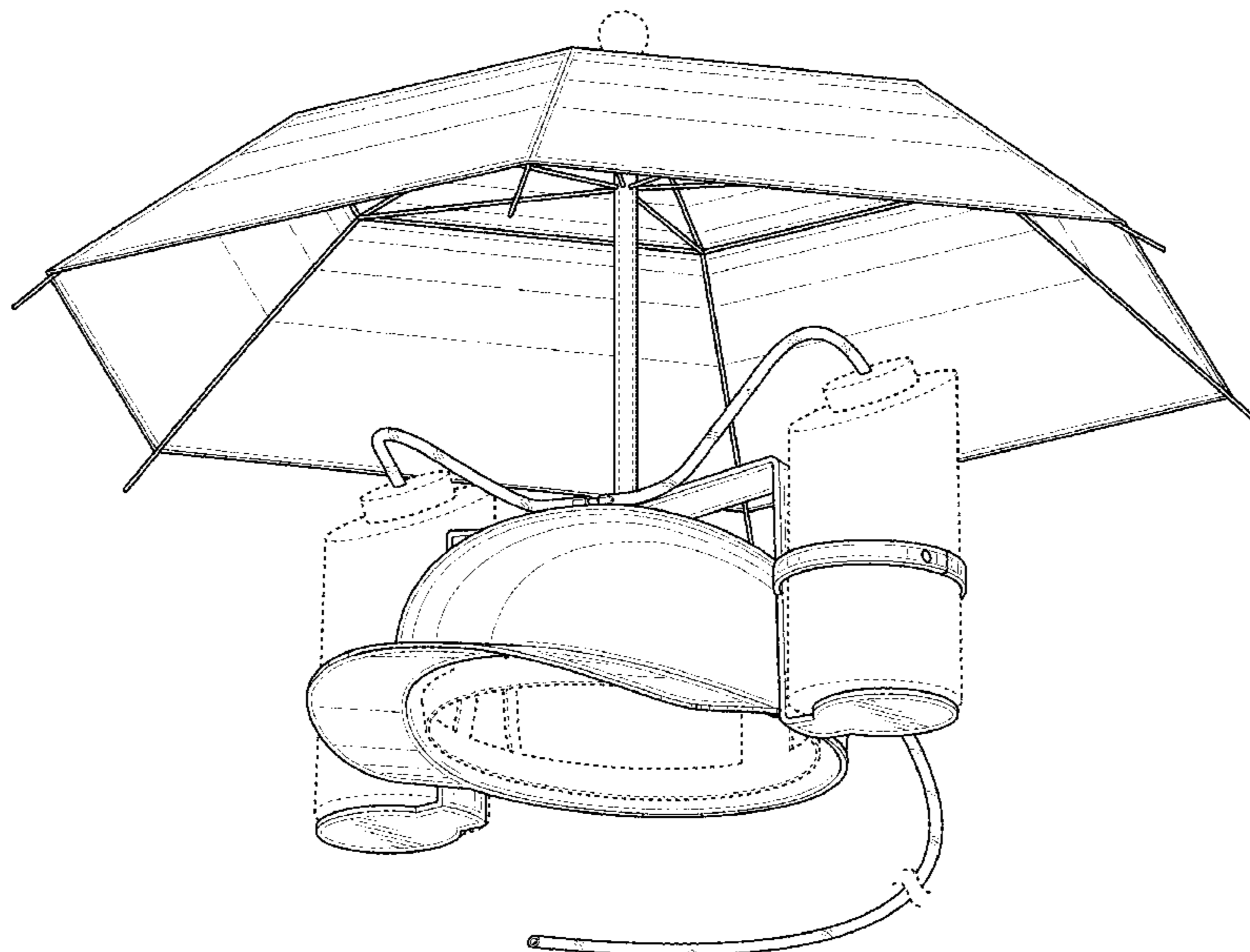
FIG. 6 is a top plan view of the beverage dispensing umbrella cap; and,

FIG. 7 is a bottom plan view of the beverage dispensing umbrella cap.

The broken lines and the areas within the bounds of the broken lines depict portions of the beverage dispensing umbrella cap that form no part of the claimed design.

The appearance of any portion of the article between the symbolic break lines forms no part of the claimed design.

**1 Claim, 7 Drawing Sheets**



(56)

**References Cited**

OTHER PUBLICATIONS

Sip.n.Shade; [on-line photo]; [photo published to the Internet on Dec. 17, 2017]; [retrieved from the Internet on Mar. 1, 2019]; URL: <https://www.instagram.com/p/Bc0HSgwHzMd/>. (1 pg). (Year: 2017).\*

Fairly Odd Novelties Beer Soda Guzzler Helmet Drinking Party Hat; [on-line]; [item first made available to the Internet on Jul. 7, 2014]; [retrieved from the Internet on Mar. 1, 2019]; URL: see first page. (3 pgs). (Year: 2014).\*

\* cited by examiner

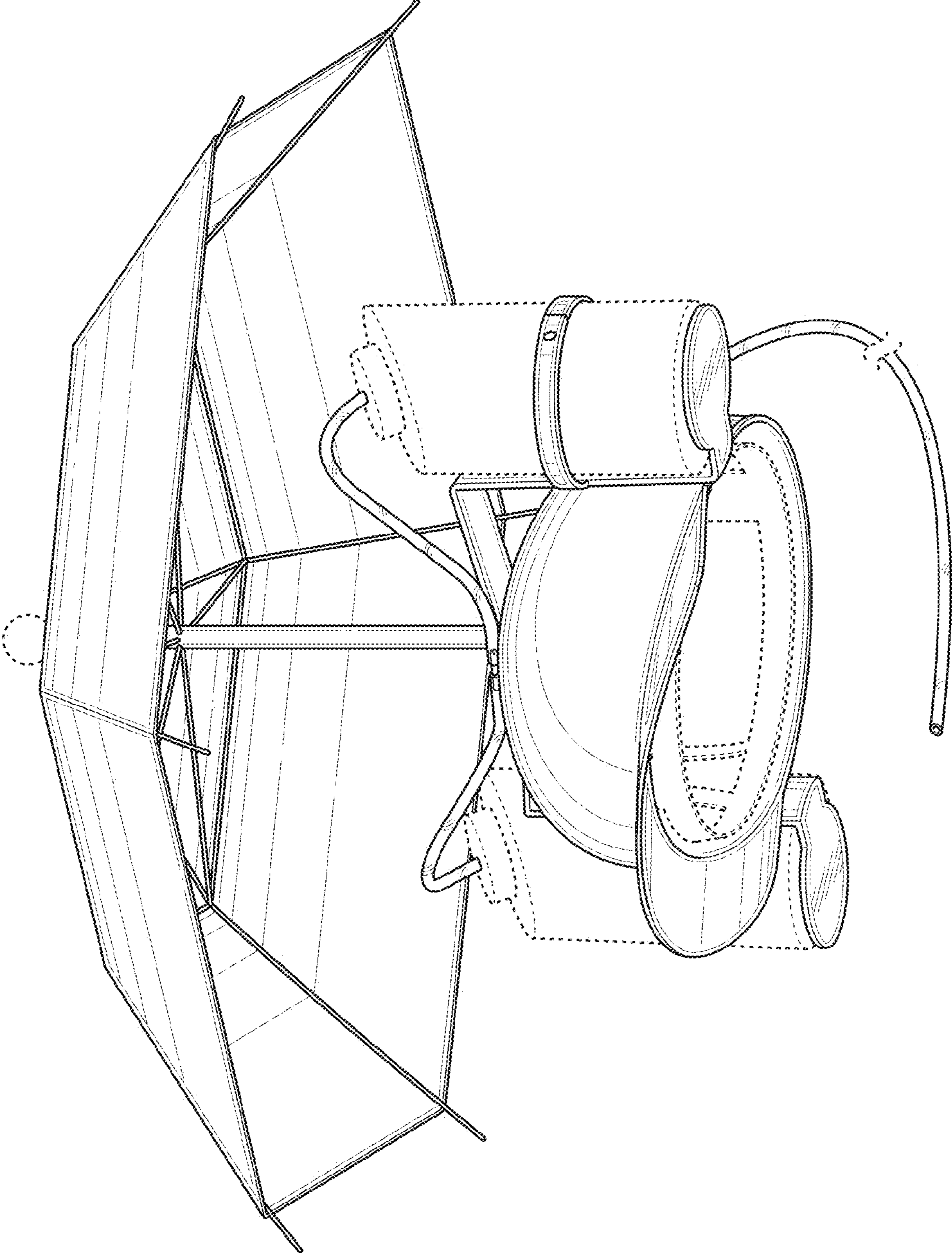


FIG. 1

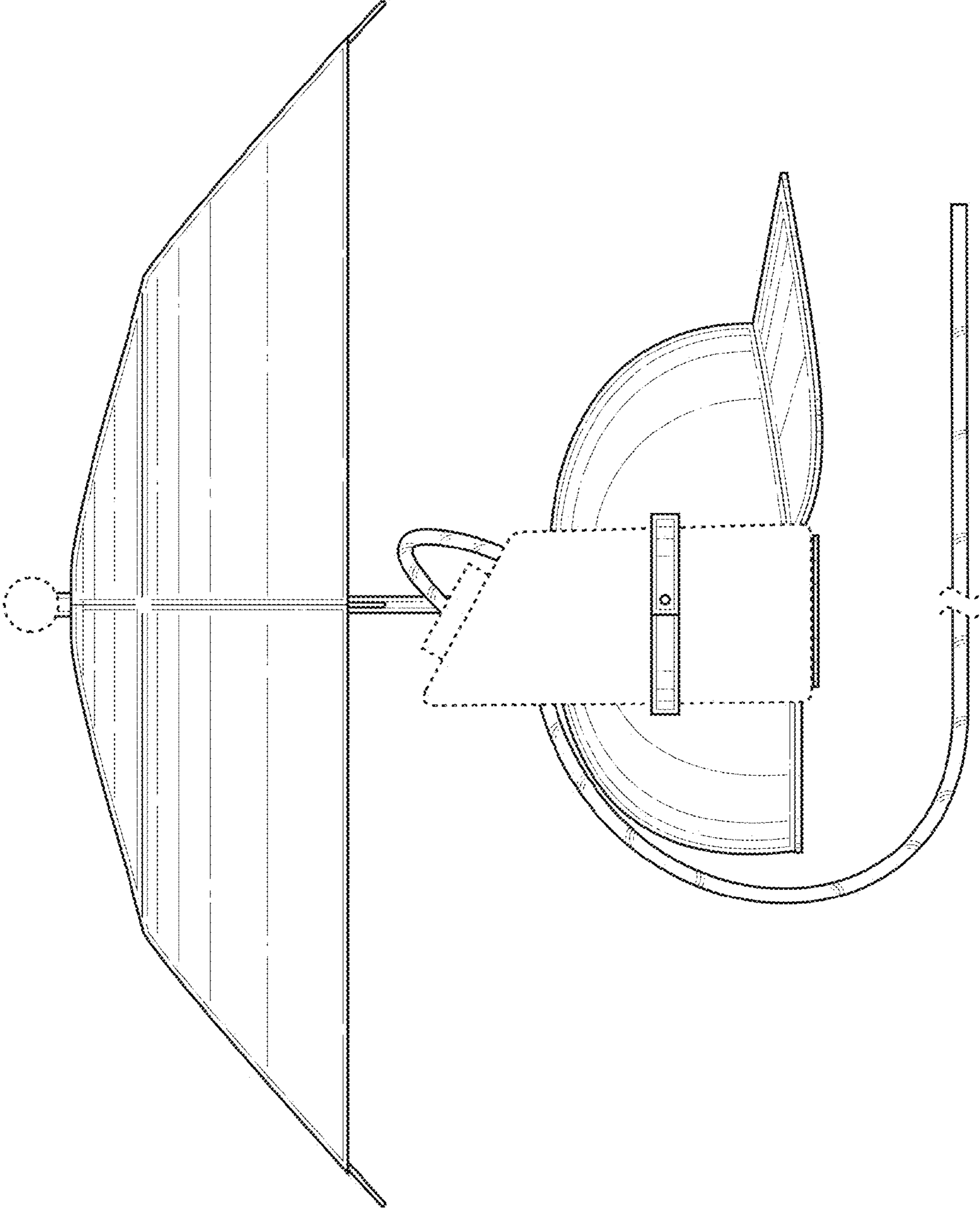


FIG. 2



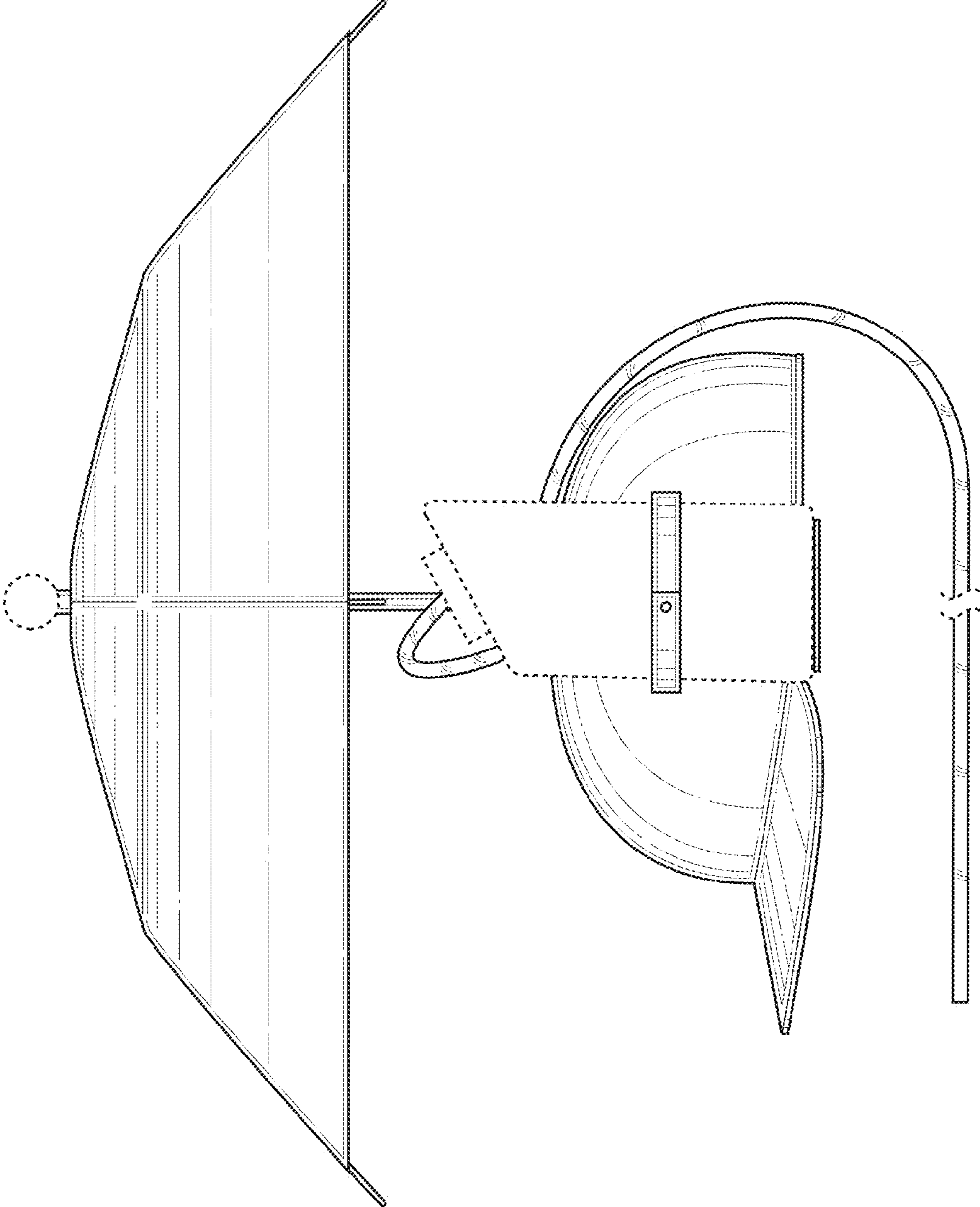


FIG. 3

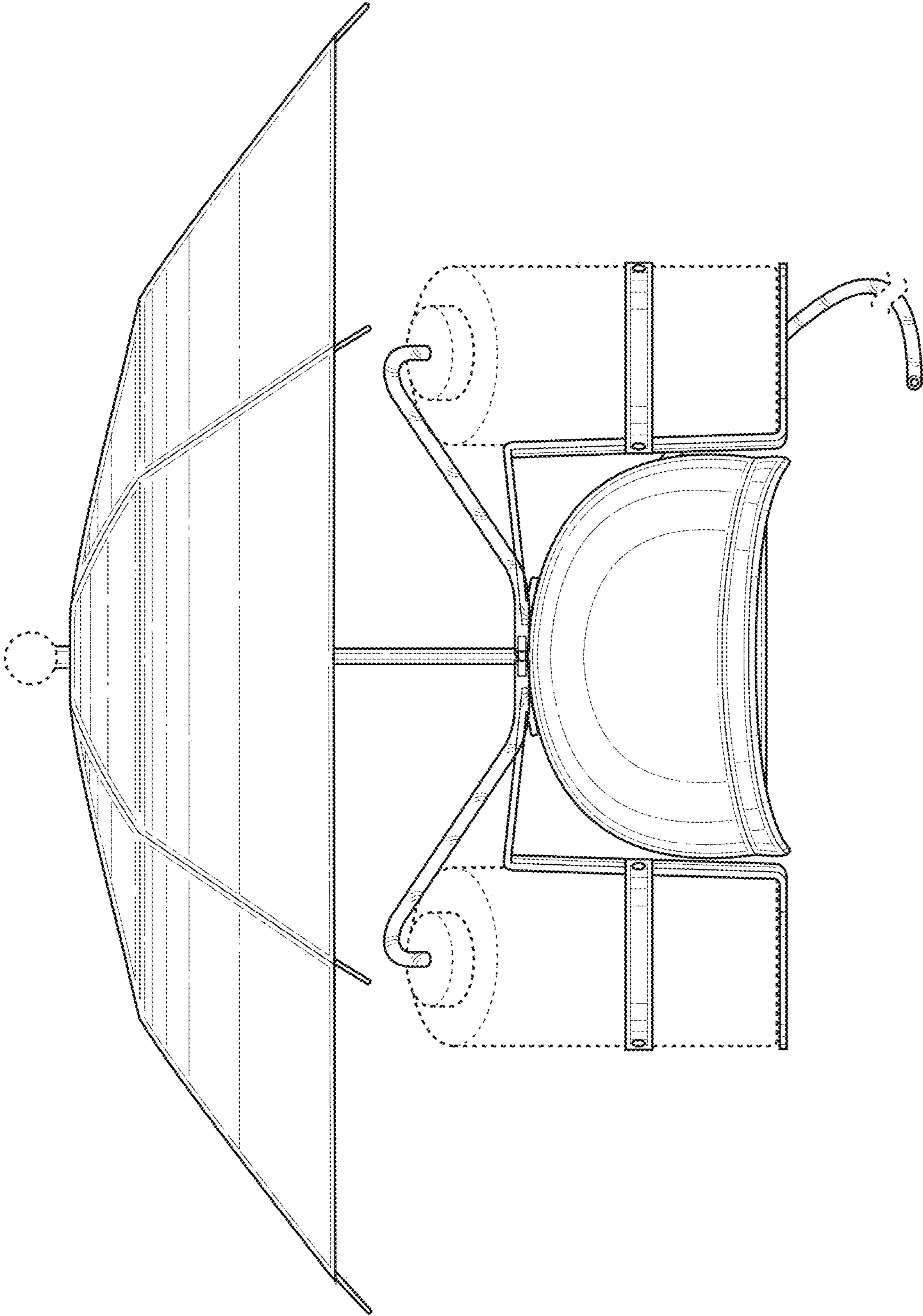


FIG. 4

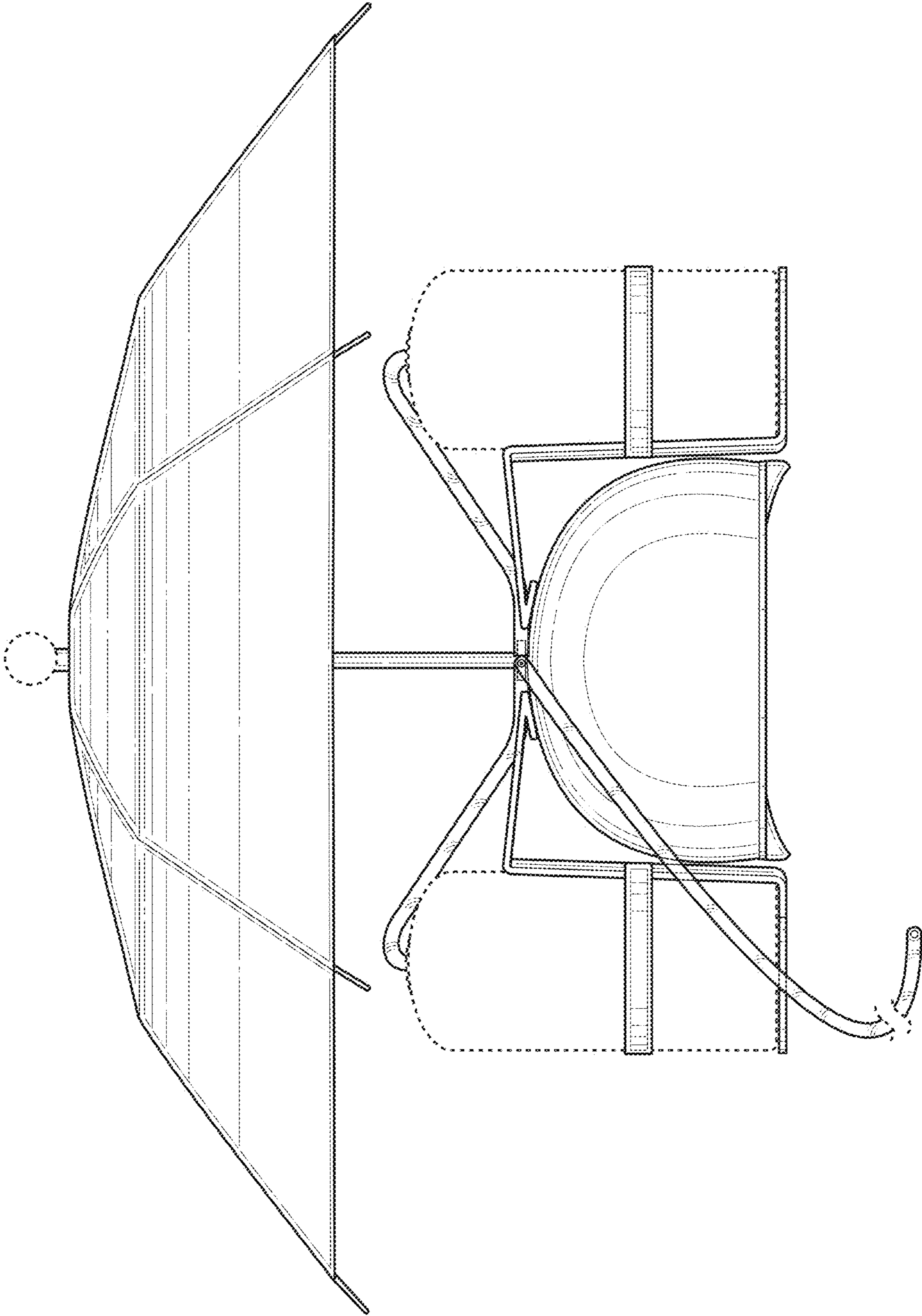


FIG. 5

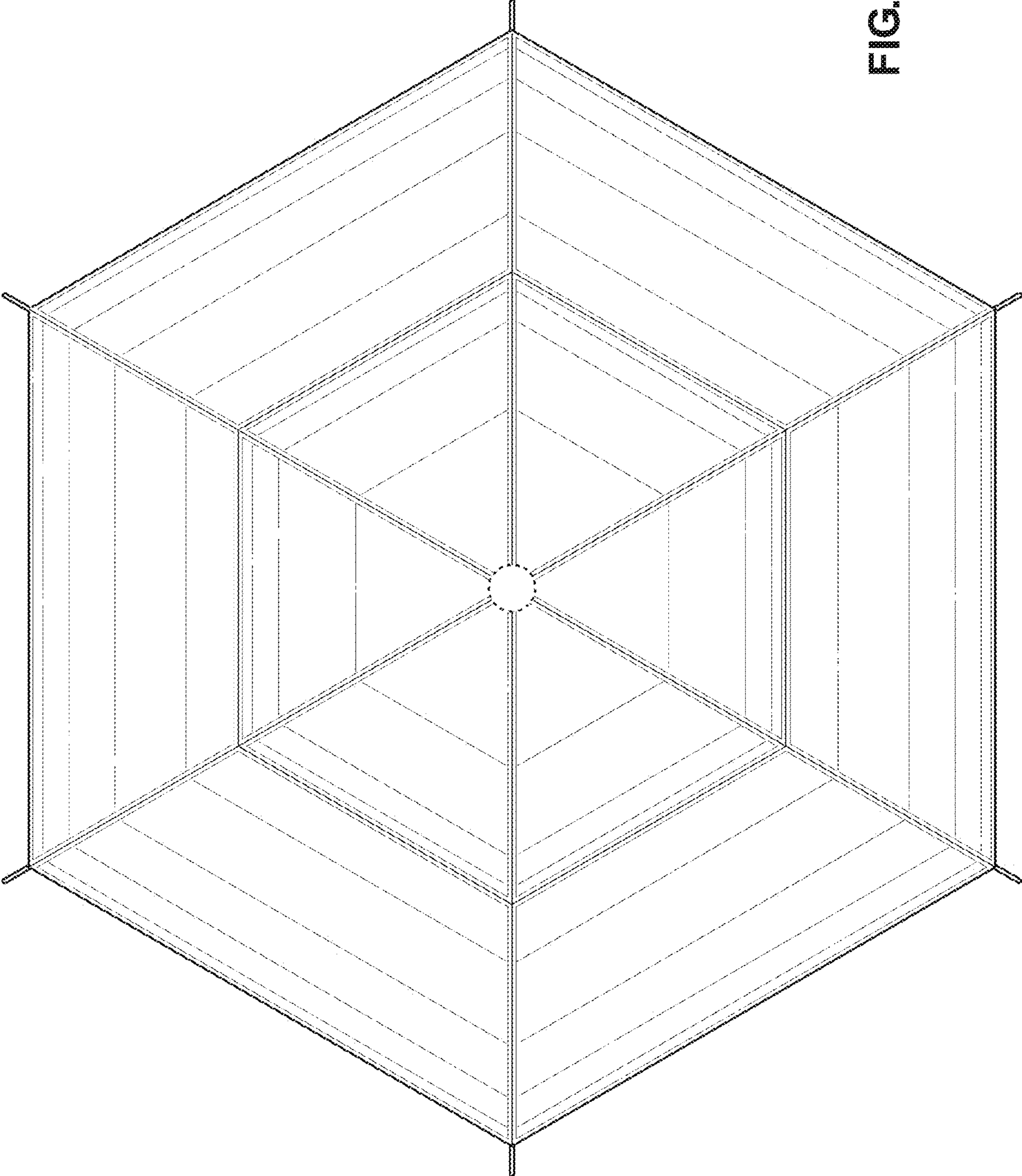


FIG. 6



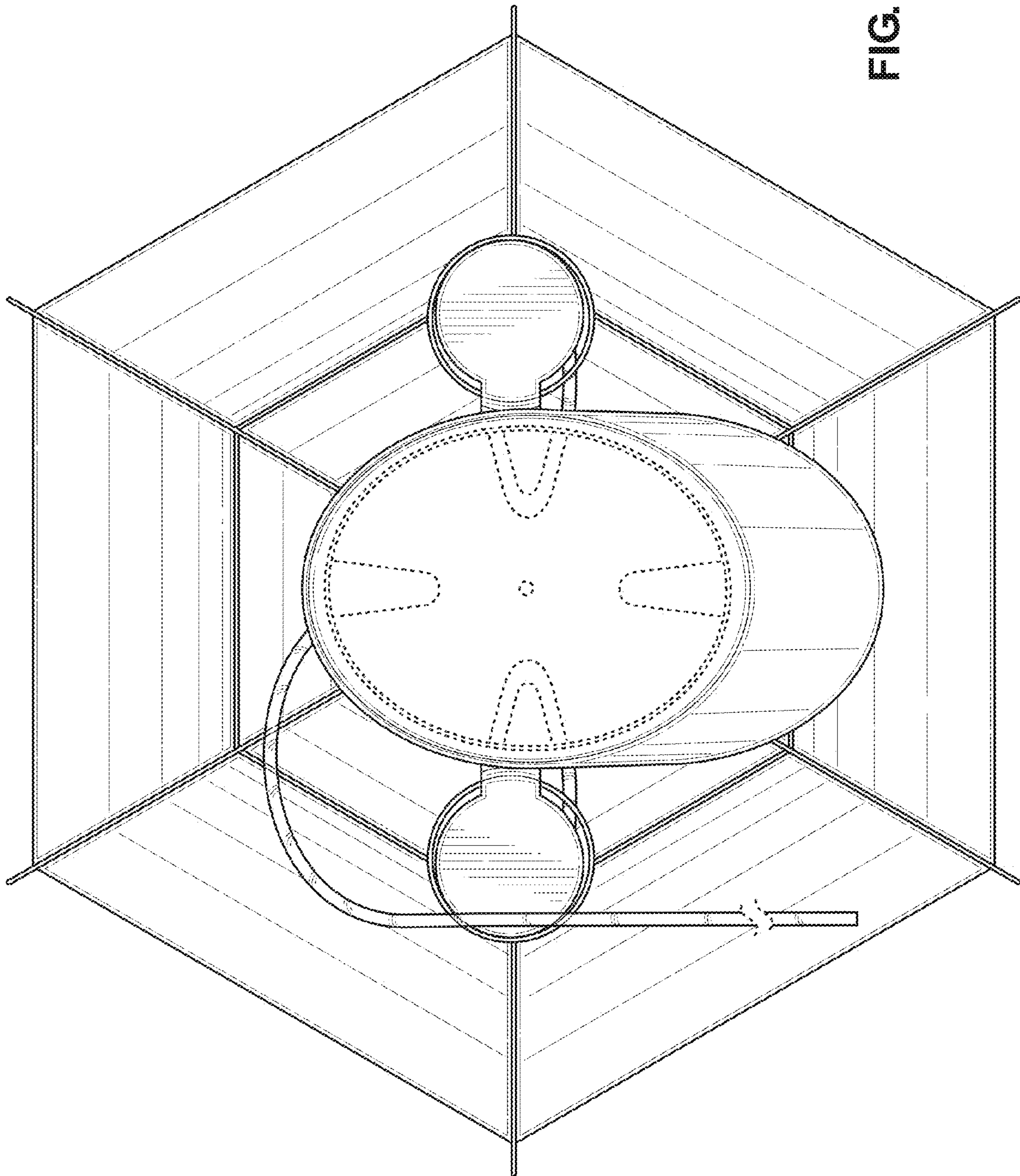


FIG. 7