



US00D892433S

(12) **United States Design Patent** (10) **Patent No.:** **US D892,433 S**
Murray (45) **Date of Patent:** **** Aug. 11, 2020**

(54) **NECKTIE RETAINER**

(74) *Attorney, Agent, or Firm* — Brooks Kushman P.C.

(71) Applicant: **Marion A. Murray**, Palmdale, CA (US)

(57) **CLAIM**

The ornamental design for a necktie retainer, as shown and described.

(72) Inventor: **Marion A. Murray**, Palmdale, CA (US)

DESCRIPTION

(**) Term: **15 Years**

(21) Appl. No.: **29/646,321**

(22) Filed: **May 3, 2018**

(51) **LOC (12) Cl.** **02-05**

(52) **U.S. Cl.**
USPC **D2/609**

(58) **Field of Classification Search**
USPC D2/500, 501, 600, 601, 602, 603, 604, D2/605, 606, 607, 608, 609
CPC .. A41D 23/00; A41D 2023/008; A41D 25/00; A41D 25/001; A41D 25/006; A41D 25/008; A41D 25/02; A41D 25/025; A41D 25/027; A41D 25/10; A41D 25/12
See application file for complete search history.

FIG. 1 shows a retainer in accordance with this invention with one wing end of the necktie retainer folded over the other wing end with opposing connecting members facing each other to form a frustum;
FIG. 2 shows the front view of the folded necktie retainer; FIG. 3 shows the rear view of the folded necktie retainer; FIG. 4 is a depiction of a necktie retainer in accordance with this invention shown wrapped around a necktie prior to being pushed up;
FIG. 5 is a depiction of the necktie retainer of FIG. 1 fully pushed up against the neck of a user to lie partially under the collar of the user's shirt;
FIG. 6 is the same depiction as in FIG. 2 but showing a decorative pin affixed to the necktie retainer to provide a fashion statement;
FIG. 7 shows the necktie retainer of FIG. 1 laid out flat with one component of a hook and loop material on one wing of the necktie retainer;
FIG. 8 shows the opposite side of the necktie retainer shown in FIG. 7 with the other component of a hook and loop material on the opposite wing of the necktie retainer and with a button hole along the top edge;
FIG. 9 shows a top plan view of the necktie retainer of FIG. 7; and,
FIG. 10 shows a bottom plan view of the necktie retainer of FIG. 7.
The broken line outline of the partial human figure and necktie in FIGS. 4-6 assists in illustrating how the necktie retainer may appear when worn, but forms no part of the claimed design. All other broken lines depict portions of the necktie retainer that form no part of the claimed design.

(56) **References Cited**

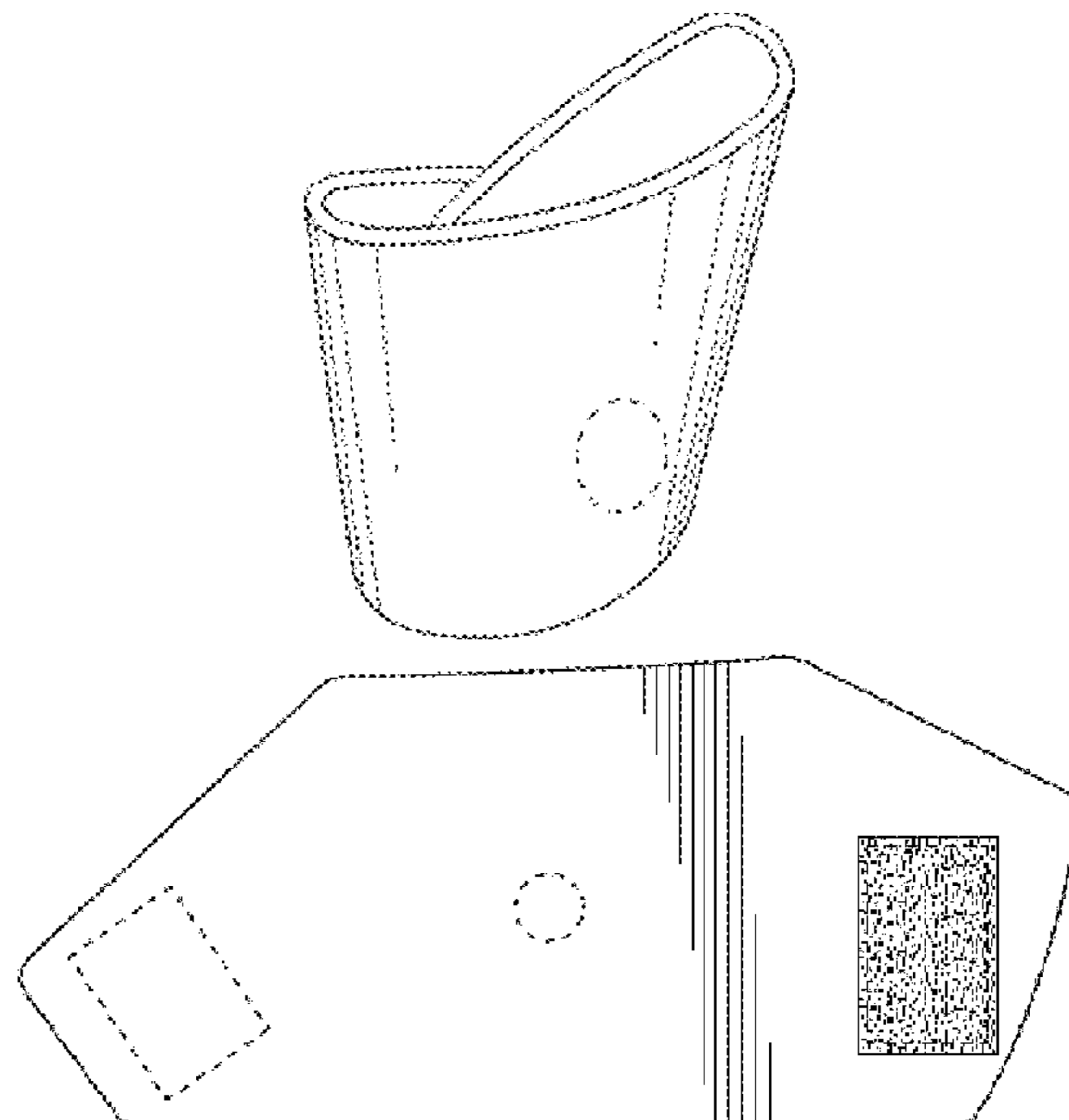
U.S. PATENT DOCUMENTS

- 1,004,830 A * 10/1911 Wadsworth A41D 25/025 2/153
- 1,300,321 A * 4/1919 Wofford A41D 25/025 2/153
- 2,170,707 A * 8/1939 Chapel A41D 25/02 2/153
- 6,305,025 B1 10/2001 Pilon
- 6,658,667 B1 12/2003 Galante
- 7,162,747 B2 1/2007 Sampy
- D550,929 S * 9/2007 Cordonier D2/600
- D622,931 S * 9/2010 Jenkins D2/609

(Continued)

Primary Examiner — Jasmine Mlinarcik

1 Claim, 5 Drawing Sheets



(56)

References Cited

U.S. PATENT DOCUMENTS

7,930,806	B2 *	4/2011	Funk	A41D 25/022	
					2/153
8,931,116	B2	1/2015	Lucero		
D787,776	S *	5/2017	Lewis	D2/609	
2004/0017085	A1 *	1/2004	Daniels	A41D 25/022	
					289/1.2
2004/0187187	A1 *	9/2004	Morrison-Gale	A41D 25/022	
					2/144
2011/0225701	A1 *	9/2011	Gamboa	A41D 25/022	
					2/148

* cited by examiner

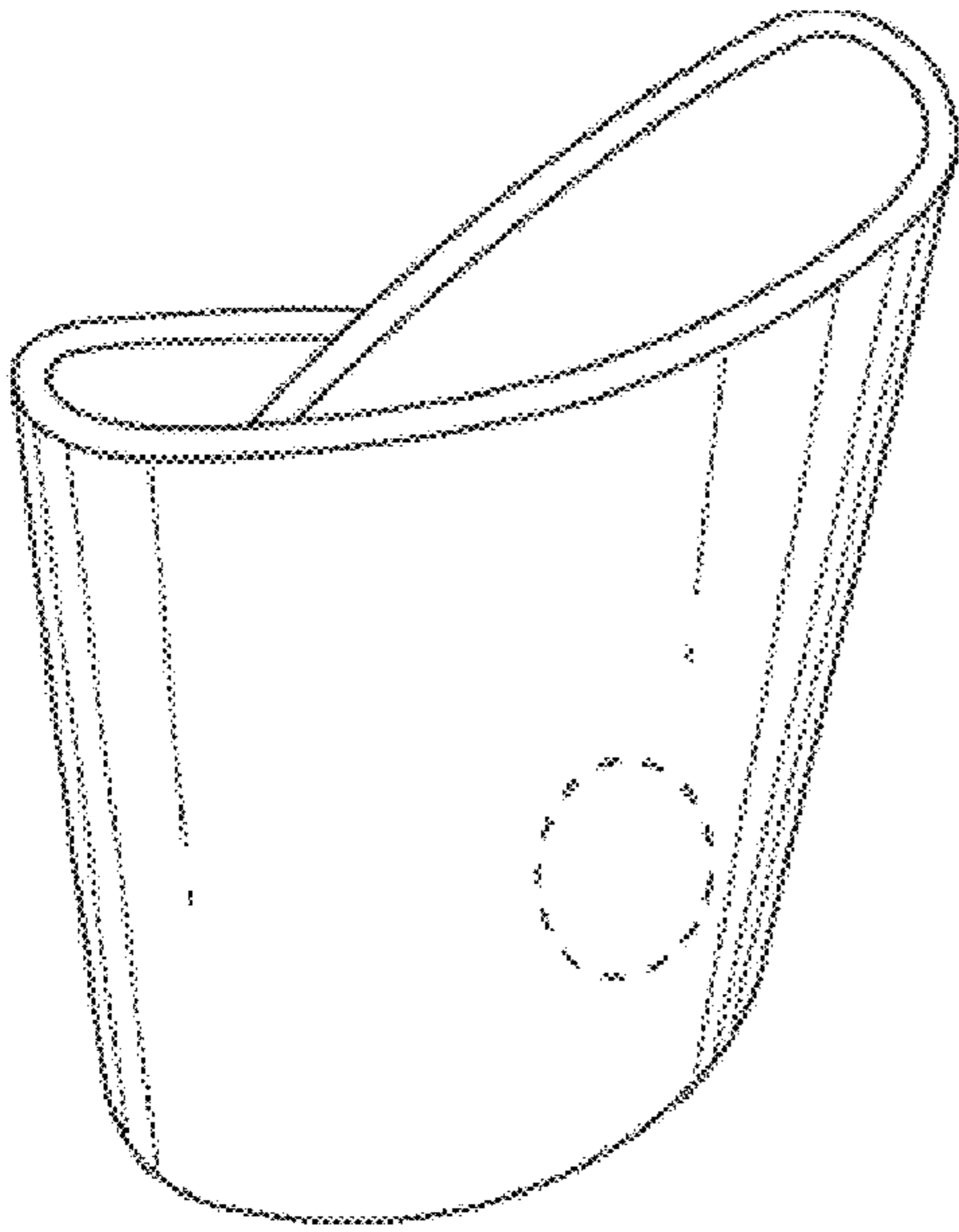


FIG. 1

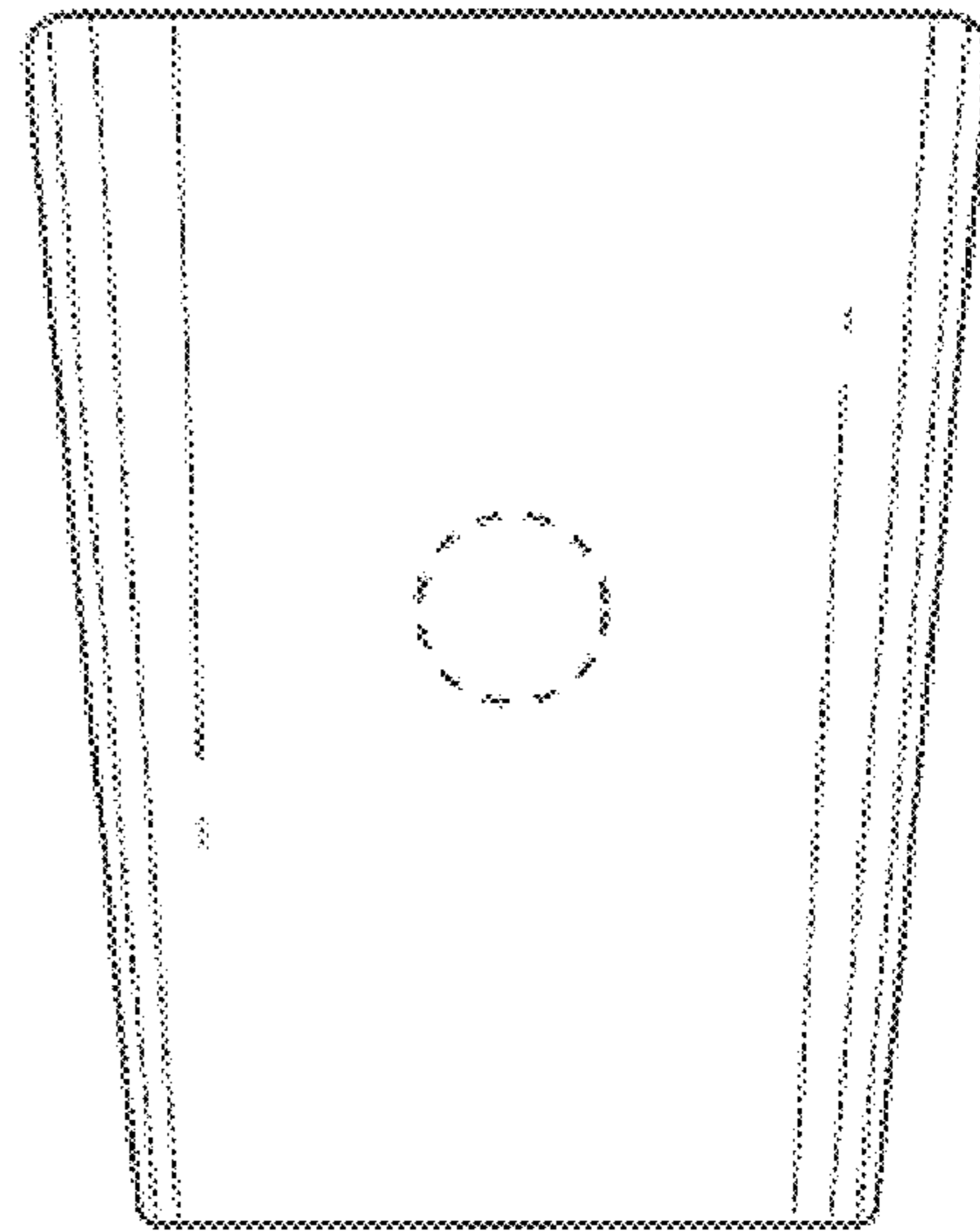


FIG. 2

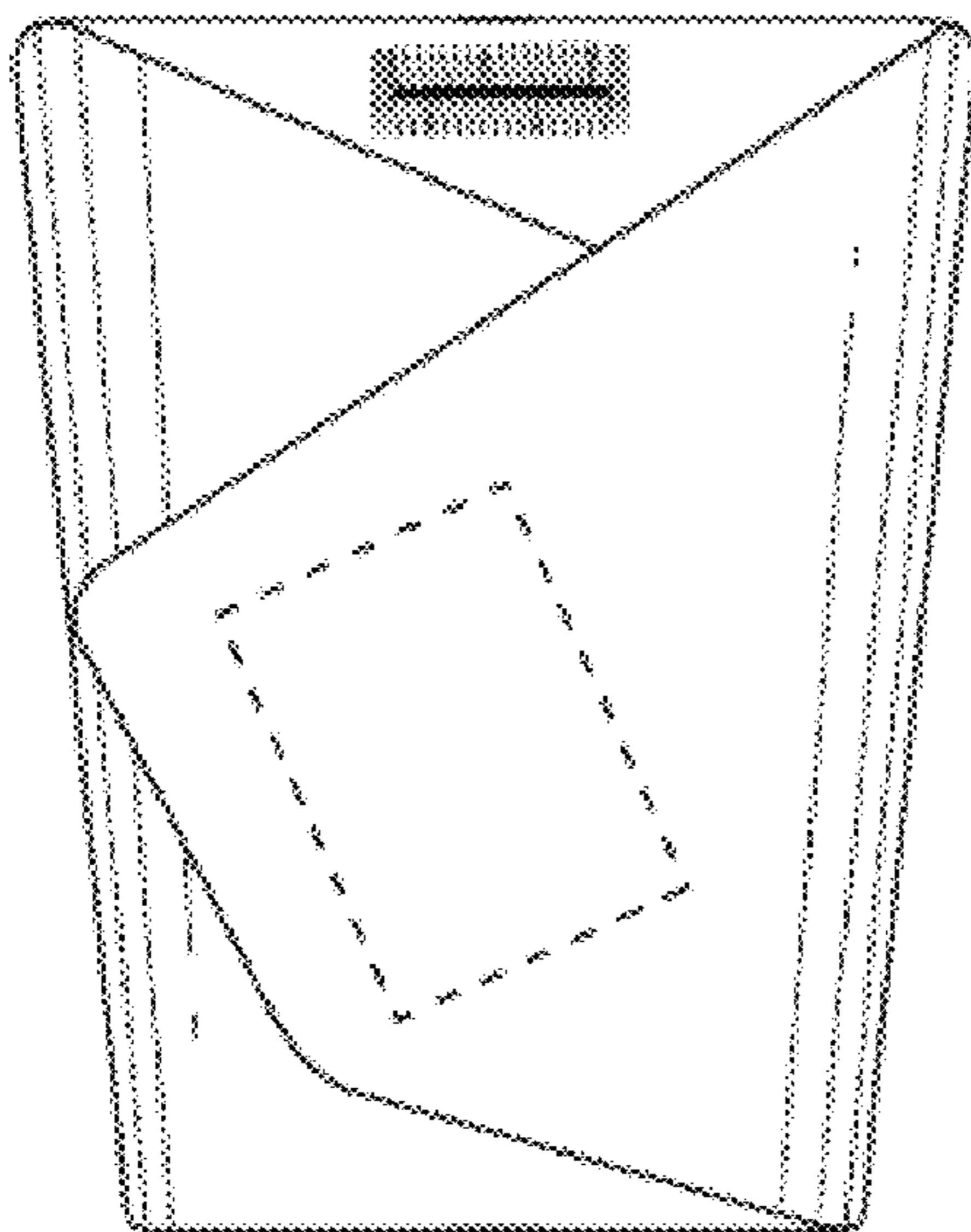


FIG. 3

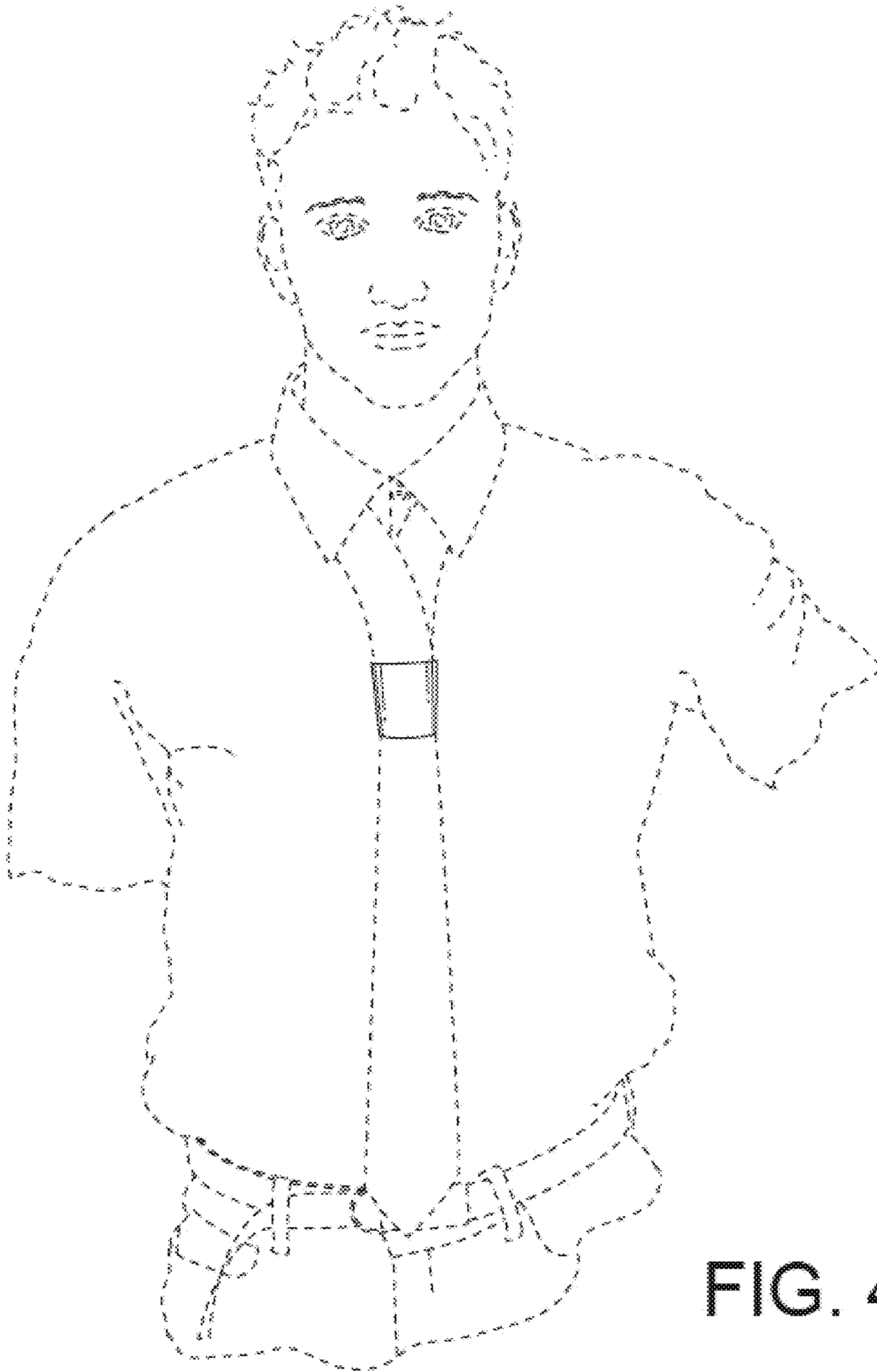


FIG. 4

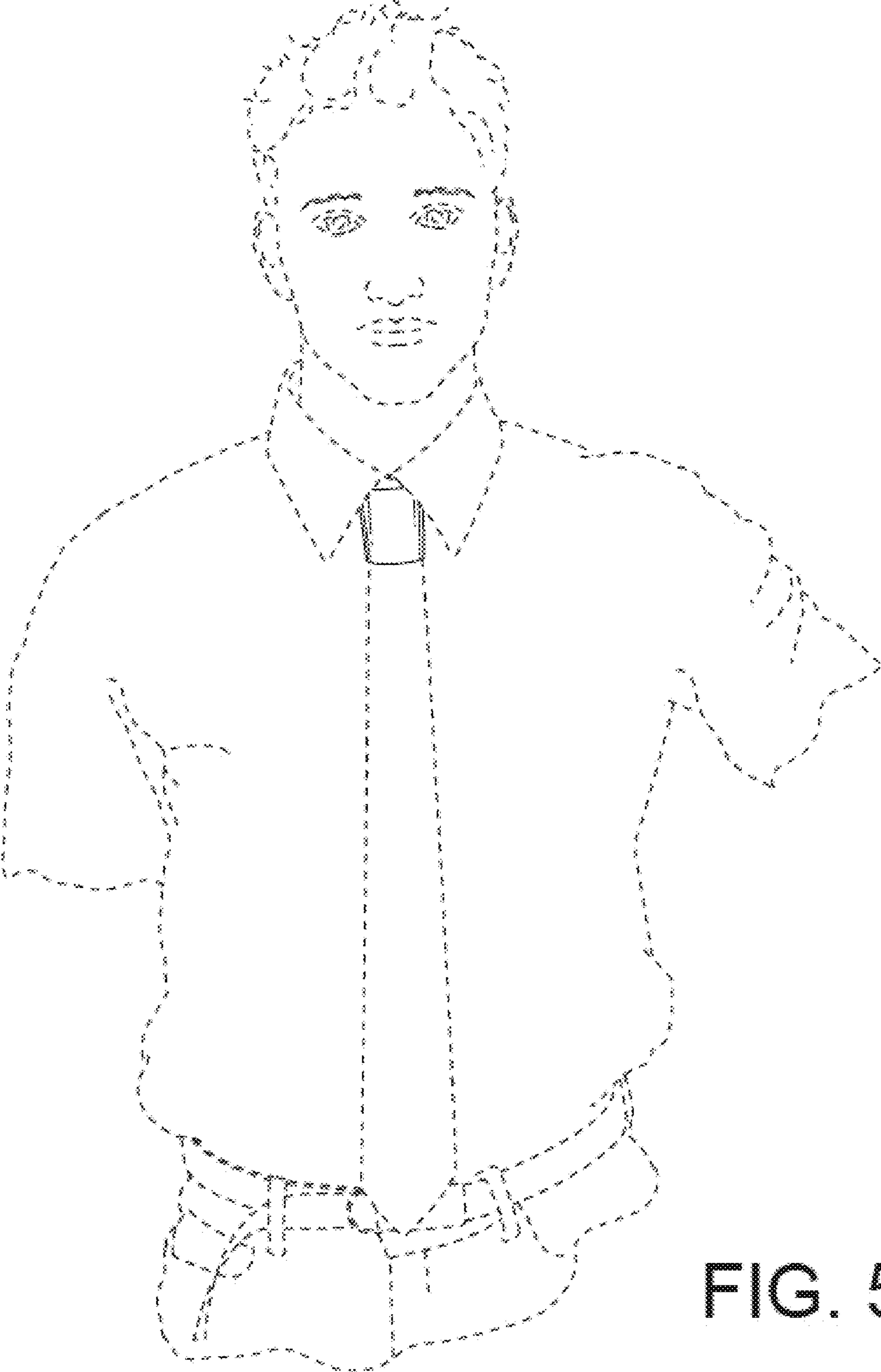


FIG. 5

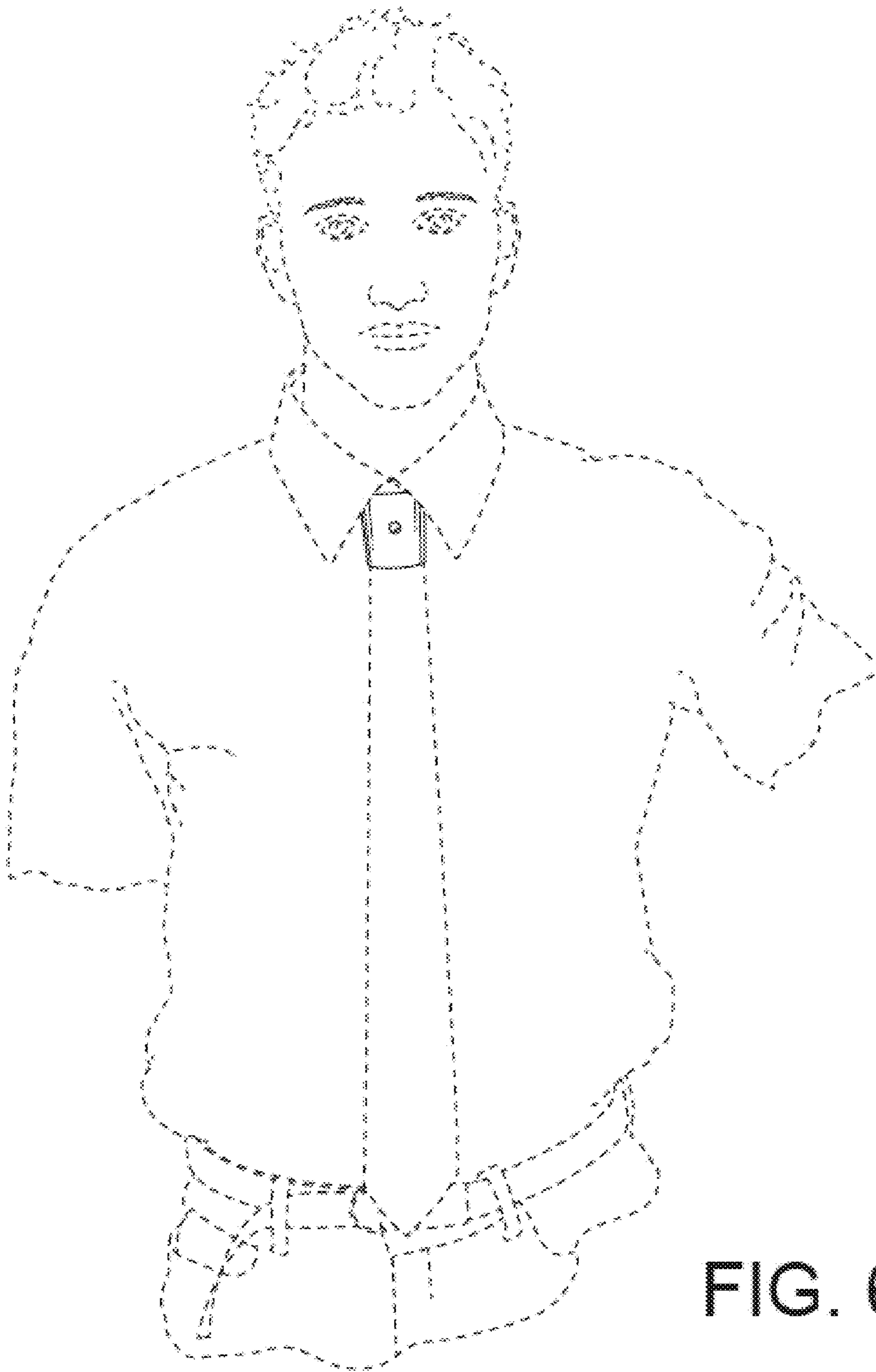


FIG. 6

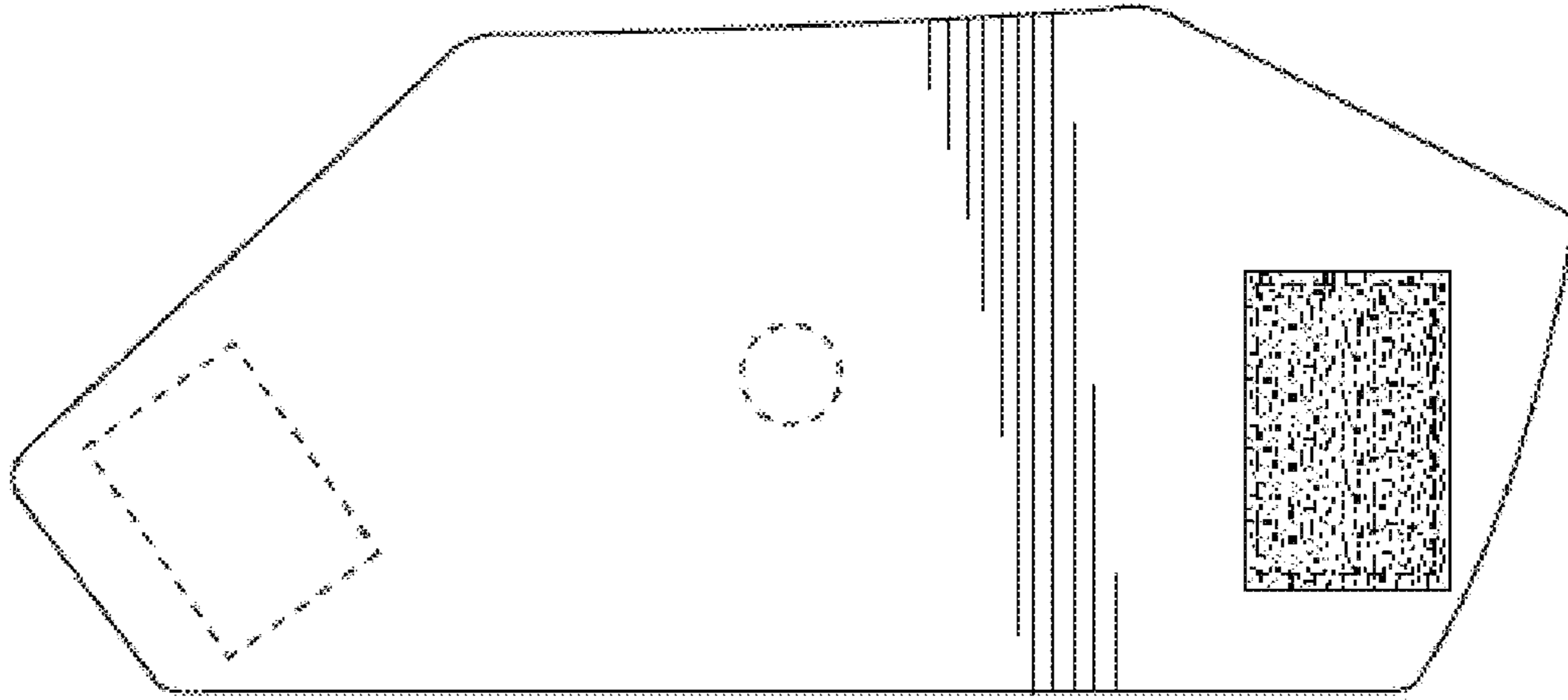


FIG. 7

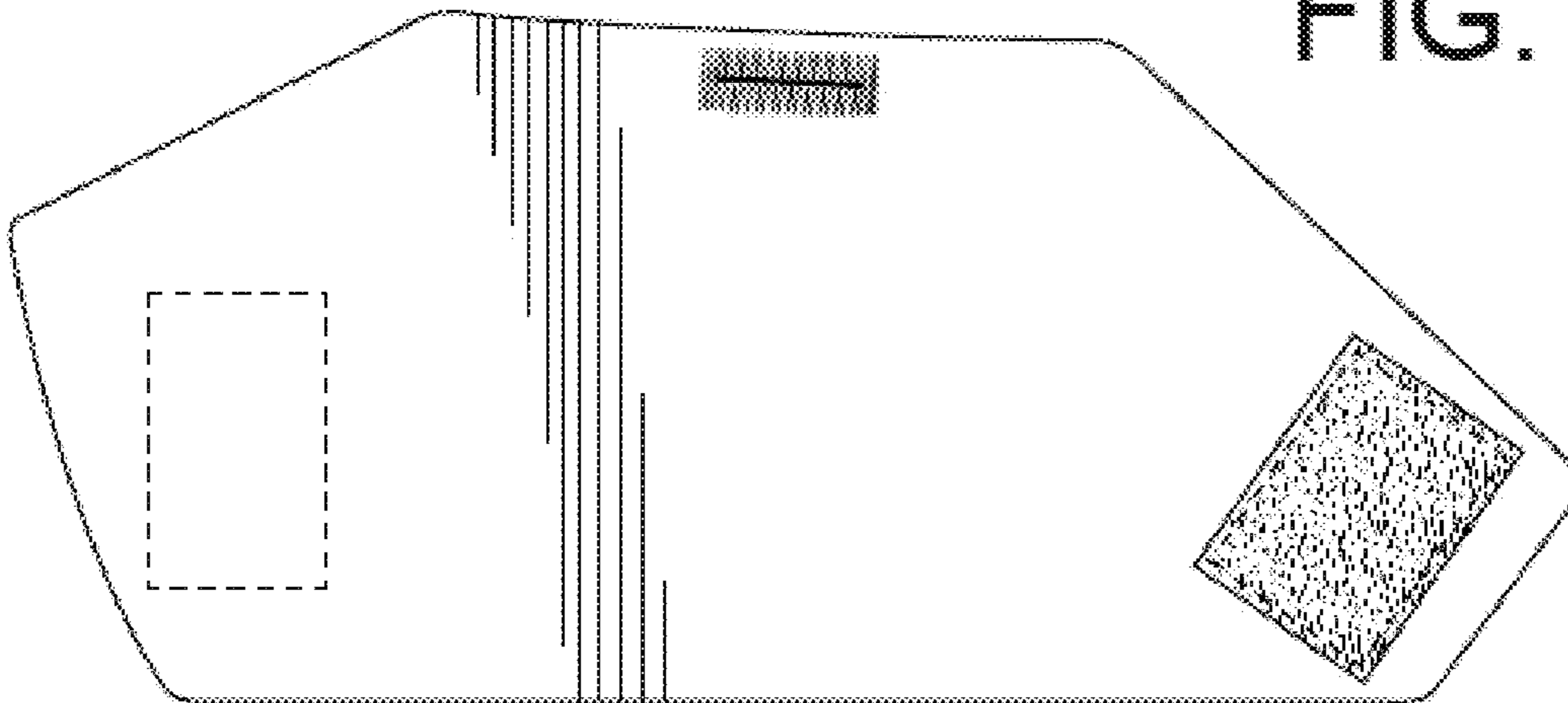


FIG. 8

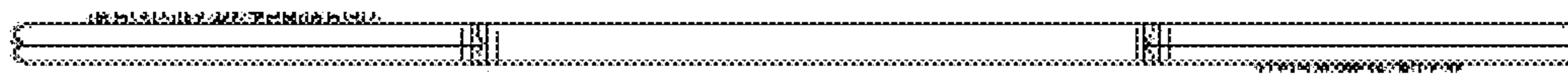


FIG. 9

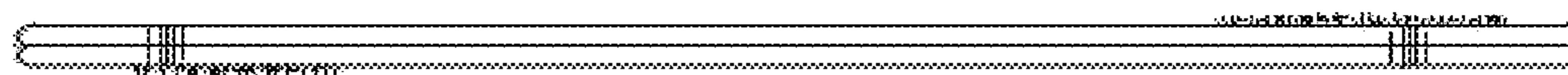


FIG. 10