



US00D892427S

(12) **United States Design Patent** (10) **Patent No.:** **US D892,427 S**  
**Cavalcanti et al.** (45) **Date of Patent:** **\*\* Aug. 11, 2020**

(54) **PET TREAT**  
(71) Applicant: **BIG HEART PET, INC.**, Orrville, OH (US)  
(72) Inventors: **Walker Cavalcanti**, Hudson, OH (US); **Yu-Hui Lee**, Copley, OH (US); **Raul Subia**, Fullerton, CA (US)  
(73) Assignee: **BIG HEART PET, INC.**, Orrville, OH (US)

D134,414 S \* 11/1942 Orme, Jr. .... D1/120  
2,937,095 A 5/1960 Zitin  
D230,904 S \* 3/1974 Abernathy ..... D1/104  
D231,052 S \* 4/1974 Abernathy ..... D1/104  
D315,435 S \* 3/1991 Kirkpatrick ..... D1/127  
D410,315 S 6/1999 Woodward

(Continued)

**FOREIGN PATENT DOCUMENTS**

AU 326738 7/2009  
BX 35235-001 10/2003

(Continued)

**OTHER PUBLICATIONS**

Office Action dated Jan. 28, 2019 in corresponding Canadian Application No. 185298.

(Continued)

*Primary Examiner* — Katie Jane Stofko

(74) *Attorney, Agent, or Firm* — Michael A. Olshavsky

(\*\*) Term: **15 Years**  
(21) Appl. No.: **29/694,680**  
(22) Filed: **Jun. 12, 2019**  
**Related U.S. Application Data**  
(62) Division of application No. 29/612,049, filed on Jul. 27, 2017.  
(51) **LOC (12) Cl.** ..... **01-01**  
(52) **U.S. Cl.**  
USPC ..... **D1/125**  
(58) **Field of Classification Search**  
USPC ..... D1/100–130, 199; 426/5, 76, 87, 92, 94, 426/95, 99, 101, 103, 104, 108, 134, 426/138–139, 143, 144, 279, 282, 283, 426/391, 514, 549, 559, 560, 660, 808; D9/439, 669; D24/130; D6/597, 598, D6/601; D21/488–490, 493, 680; D23/366, 386, 415; 239/44; D8/83  
CPC . A23G 3/50; A23G 3/54; A23G 9/282; A23G 3/28; A23J 3/26; A23L 1/0067  
See application file for complete search history.

(57) **CLAIM**

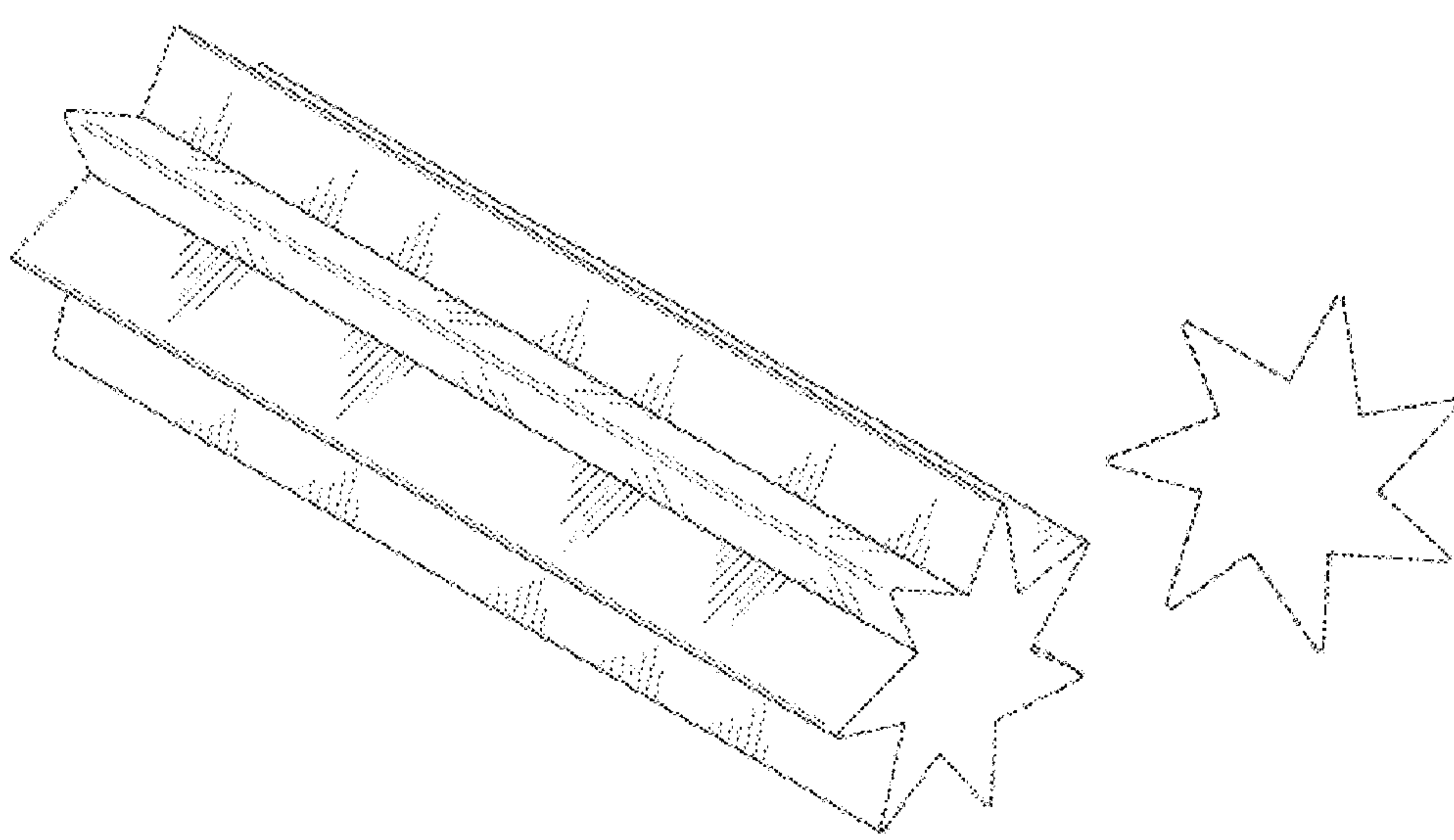
The ornamental design of a pet treat, as shown and described.

**DESCRIPTION**

FIG. 1 is a front, left, top perspective view of a pet treat.  
FIG. 2 is a bottom plan view thereof;  
FIG. 3 is a top plan view thereof;  
FIG. 4 is a left side elevation view thereof;  
FIG. 5 is a right side elevation view thereof;  
FIG. 6 is a front elevation view thereof; and,  
FIG. 7 is a rear elevation view thereof.  
The shade lines shown in the figures illustrate contour, and not texture, color, shading, or surface ornamentation.  
The broken lines shown in the figures depict portions of the pet treat that form no part of the claimed design.

**1 Claim, 5 Drawing Sheets**

(56) **References Cited**  
**U.S. PATENT DOCUMENTS**  
414,090 A \* 10/1889 Taylor ..... B21C 3/06  
72/468  
729,248 A \* 5/1903 Yeager ..... A23G 9/282  
426/249



(56)

References Cited

FOREIGN PATENT DOCUMENTS

U.S. PATENT DOCUMENTS				CA		
					110186	4/2006
				CA	127933	6/2009
5,993,784	A *	11/1999	Hill ..... A61K 8/25	CA	122758	7/2009
			424/49	CA	129165	7/2009
6,138,314	A *	10/2000	Schiff ..... A46D 1/00	CA	131332	3/2010
			15/167.1	CA	131333	3/2010
D440,377	S *	4/2001	Keller ..... D1/120	CA	133332	5/2011
D478,705	S	8/2003	Dahl et al.	CA	149085	10/2014
D492,467	S	7/2004	Pittard et al.	CA	163754	3/2016
D492,836	S	7/2004	Lawrenson	CN	3053664	1/1997
D507,691	S	7/2005	Leiweke et al.	CN	301467108	2/2011
D509,042	S	9/2005	Buckley et al.	CN	302442547	5/2013
D509,045	S	9/2005	Buckley et al.	CN	302442558	5/2013
D511,236	S	11/2005	Crum et al.	CN	302528923	8/2013
D512,810	S	12/2005	Englisch	CN	303312264	8/2015
D514,264	S	1/2006	Viola	CN	303705328	6/2016
D514,275	S	2/2006	Cumpton et al.	CN	303731837	7/2016
D515,275	S	2/2006	Leiweke et al.	EM	000196167-0002	7/2004
D517,774	S	3/2006	Jia et al.	EM	000196167-0003	7/2004
7,032,541	B1	4/2006	Tsengas	EM	000279468-0001	1/2005
D532,583	S	11/2006	Townsend et al.	EM	000304563-0001	1/2005
D534,706	S	1/2007	Cuadrado	EM	000299268-0001	2/2005
D538,507	S	3/2007	Tansey et al.	EM	000308051-0001	2/2005
D546,026	S	7/2007	Ellsworth	EM	000309604-0001	3/2005
D585,177	S	1/2009	Wylie	EM	000309604-0002	3/2005
D586,077	S	2/2009	Shulman	EM	000309604-0003	3/2005
D586,534	S	2/2009	Oelsner et al.	EM	000309604-0004	3/2005
D591,479	S	5/2009	Schalk et al.	EM	000309604-0005	3/2005
D591,926	S	5/2009	Jia et al.	EM	000309604-0006	3/2005
D593,277	S	6/2009	Wylie	EM	000309604-0007	3/2005
D595,926	S *	7/2009	Madsen ..... D1/106	EM	000309604-0008	3/2005
D603,134	S	11/2009	Powell	EM	000309604-0009	3/2005
D603,135	S	11/2009	Unlu et al.	EM	000309604-0010	3/2005
D603,136	S	11/2009	Unlu et al.	EM	000309604-0011	3/2005
D614,830	S	5/2010	Unlu et al.	EM	000309604-0012	3/2005
D614,831	S	5/2010	Bardiani et al.	EM	000309604-0013	3/2005
D618,428	S	6/2010	Unlu et al.	EM	000309604-0014	3/2005
D630,409	S	1/2011	Tansey et al.	EM	000309604-0015	3/2005
D636,971	S	5/2011	Diermeier et al.	EM	000309604-0016	3/2005
D658,847	S	5/2012	Wylie	EM	000309604-0017	3/2005
D658,848	S	5/2012	Wylie	EM	000309604-0018	3/2005
D661,866	S	6/2012	Asakura	EM	000348255-0001	5/2005
D661,868	S	6/2012	Takeda et al.	EM	000348255-0002	5/2005
D666,786	S	9/2012	Bostick	EM	000348255-0003	5/2005
D683,517	S	6/2013	Tansey et al.	EM	000348255-0004	5/2005
D683,927	S	6/2013	Tansey et al.	EM	000348255-0014	5/2005
D683,928	S	6/2013	Tansey et al.	EM	000348255-0016	5/2005
D684,337	S	6/2013	Tansey et al.	EM	000348255-0017	5/2005
D692,206	S	10/2013	Slusarczyk et al.	EM	000359708-0003	6/2005
D693,536	S	11/2013	Weber	EM	000373352-0001	7/2005
8,647,694	B2 *	2/2014	Kimura ..... A23L 7/109	EM	000373352-0002	7/2005
			426/557	EM	000725064-0001	5/2007
D704,917	S	5/2014	Albuja	EM	000725064-0002	5/2007
D705,516	S	5/2014	Slusarczyk et al.	EM	000804356-0001	10/2007
D714,016	S	9/2014	Slusarczyk et al.	EM	000905575-0001	3/2008
8,916,223	B2	12/2014	Burgess et al.	EM	001113377-0001	3/2009
D721,217	S	1/2015	Rogers et al.	EM	001113377-0002	3/2009
D721,218	S	1/2015	Rogers et al.	EM	001113377-0003	3/2009
D725,867	S	4/2015	Mathew et al.	EM	001113377-0004	3/2009
D725,868	S	4/2015	Kimura et al.	EM	001166656-0001	9/2009
D726,991	S	4/2015	Albuja	EM	001635624-0002	11/2009
D728,193	S	5/2015	Mathew et al.	EM	001193163-0001	2/2010
D729,248	S	5/2015	Porter et al.	EM	001193163-0002	2/2010
D730,617	S	6/2015	Slusarczyk et al.	EM	001193163-0003	2/2010
D747,068	S	1/2016	Walsh	EM	001669037-0001	2/2010
D766,541	S	9/2016	Melkonyan et al.	EM	001669037-0002	2/2010
D775,450	S	1/2017	Kimura et al.	EM	001669037-0003	2/2010
D781,025	S	3/2017	Pope et al.	EM	001669037-0004	2/2010
D789,650	S	6/2017	Hansen	EM	001685181-0001	3/2010
D804,741	S	12/2017	Park	EM	001727967-0001	7/2010
D822,321	S	7/2018	McGrath et al.	EM	001779851-0001	11/2010
2006/0141105	A1 *	6/2006	Derrieu ..... A01K 15/026	EM	001779851-0002	11/2010
			426/132	EM	001779851-0003	11/2010
2008/0003270	A1	1/2008	Garcia Martinez	EM	001268148-0001	3/2011
2008/0020101	A1	1/2008	Madsen et al.	EM	001842709-0001	3/2011
2016/0353772	A1	12/2016	Stern	EM	001874058-0001	6/2011
2017/0042192	A1 *	2/2017	She ..... A23K 40/25	EM	001932468-0001	10/2011



(56)

References Cited

FOREIGN PATENT DOCUMENTS

EM	002035733-0001	5/2012
EM	002035733-0003	5/2012
EM	002035733-0005	5/2012
EM	002035733-0006	5/2012
EM	002035733-0007	5/2012
EM	002035733-0008	5/2012
EM	002035733-0009	5/2012
EM	002035733-0010	5/2012
EM	002035733-0011	5/2012
EM	002035733-0012	5/2012
EM	002035733-0013	5/2012
EM	002035733-0014	5/2012
EM	002035733-0015	5/2012
EM	002035733-0016	5/2012
EM	002035733-0017	5/2012
EM	002035733-0018	5/2012
EM	002035733-0019	5/2012
EM	002165027-0001	1/2013
EM	002165027-0002	1/2013
EM	002165027-0003	1/2013
EM	002183681-0001	2/2013
EM	002183681-0002	2/2013
EM	002183681-0003	2/2013
EM	002183681-0004	2/2013
EM	001408561-0013	4/2014
EM	001408561-0016	4/2014
EM	001408561-0028	4/2014
EM	001409460-0006	4/2014
EM	001490460-0005	4/2014
EM	002492108-0002	6/2014
EM	002513580-0001	8/2014
EM	002515726-0001	8/2014
EM	002912386-0001	12/2015
EM	002944785-0001	1/2016
EM	003077254-0002	4/2016
EM	003142603-0001	5/2016
EM	003515899-0010	12/2016
EP	1581044	10/2005
IN	222872	8/2010
IN	222871	1/2011
JP	D1411525	3/2011
JP	D1464625	2/2013
JP	D1471777	5/2013
KR	30-0382680-0000	5/2005
KR	30-0473862-0000	12/2007
KR	3004738630000	12/2007
KR	30-0530794-0000	6/2009
KR	30-0565741-0000	6/2010
KR	30-0565742-0000	6/2010
KR	30-0579849-0000	11/2010

KR	30-0598852-0000	9/2011
KR	30-0630251-0000	1/2012
KR	30-0668303-0000	11/2012
KR	30-0741911-0000	4/2014
KR	30-0836492-0000	1/2016
KR	30-0836494-0000	1/2016
KR	30-0836495-0000	1/2016
KR	30-0836496-0000	1/2016
KR	30-0836497-0000	1/2016
KR	30-0862986-0000	7/2016
KR	30-0875149-0000	9/2016
KR	30-0875150-0000	9/2016
KR	30-0880954-0000	11/2016
KR	30-0888779-0000	12/2016
NZ	406388	1/2005
NZ	412298	1/2009
NZ	412299	1/2009
NZ	412518	6/2009
NZ	413463	1/2010
NZ	413464	1/2010
NZ	414588	10/2010
NZ	415012	3/2011
NZ	416939	5/2012
NZ	416946	5/2012
NZ	417147	6/2012
NZ	417148	6/2012
NZ	417149	6/2012
NZ	417150	6/2012
NZ	417151	12/2012
NZ	417152	12/2012
NZ	418350	12/2013
NZ	420940	9/2015
TR	201608409-0003	1/2017
TR	201608409-0004	1/2017
TR	201608409-0006	1/2017
TR	201608409-0007	1/2017
TR	201608409-0010	1/2017
WO	D031613-001	12/1994
WO	D033750-011	8/1995
WO	D033750-012	8/1995
WO	DM/082257	11/2013
WO	D089495-002	12/2015
WO	D089496-005	12/2015
WO	D089496-006	12/2015

OTHER PUBLICATIONS

Office Action dated Jan. 31, 2019 in corresponding Canadian Patent Application No. 179411.  
 Office Action dated Oct. 1, 2018, in corresponding Canadian Patent Application No. 179411.

\* cited by examiner

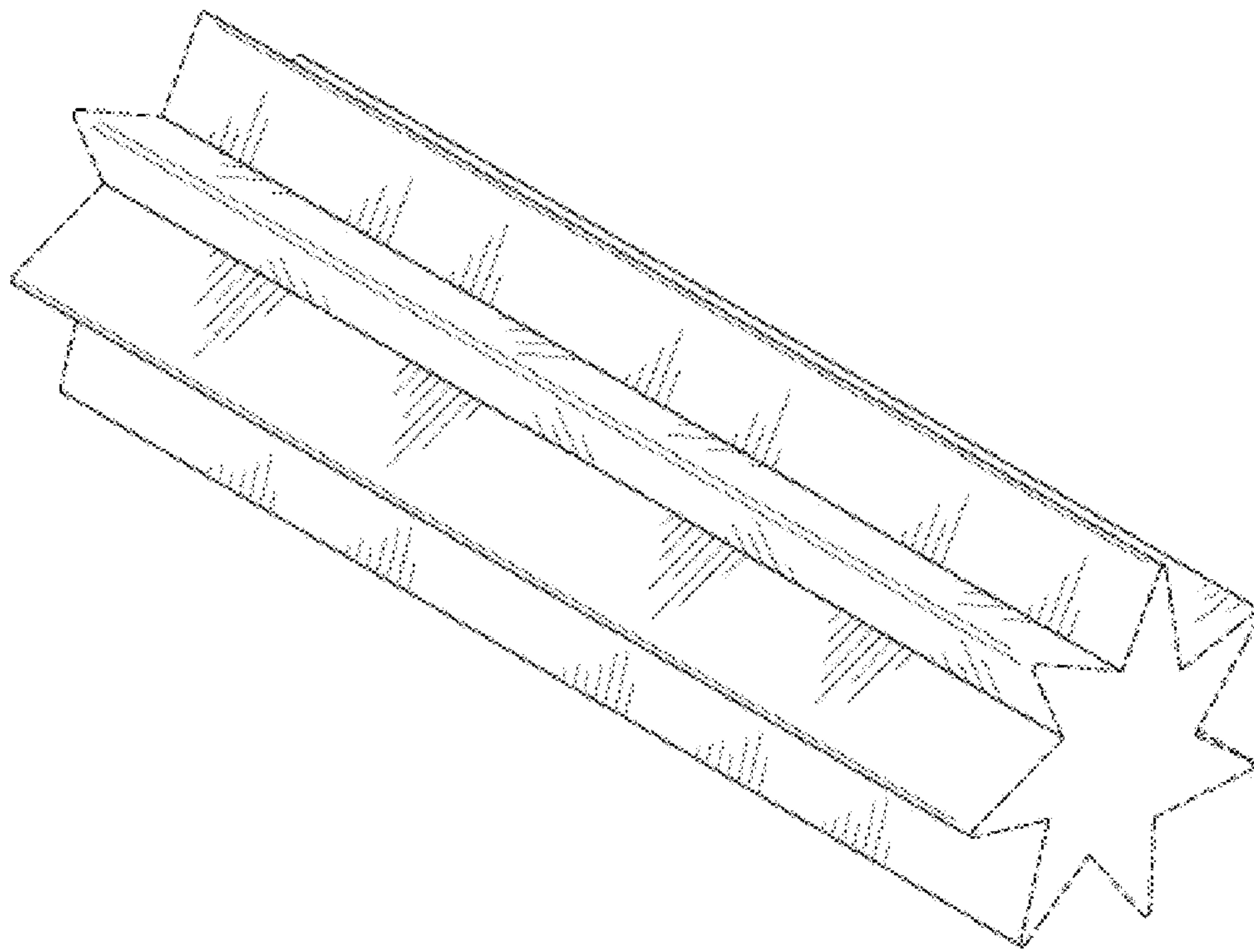


FIG. 1

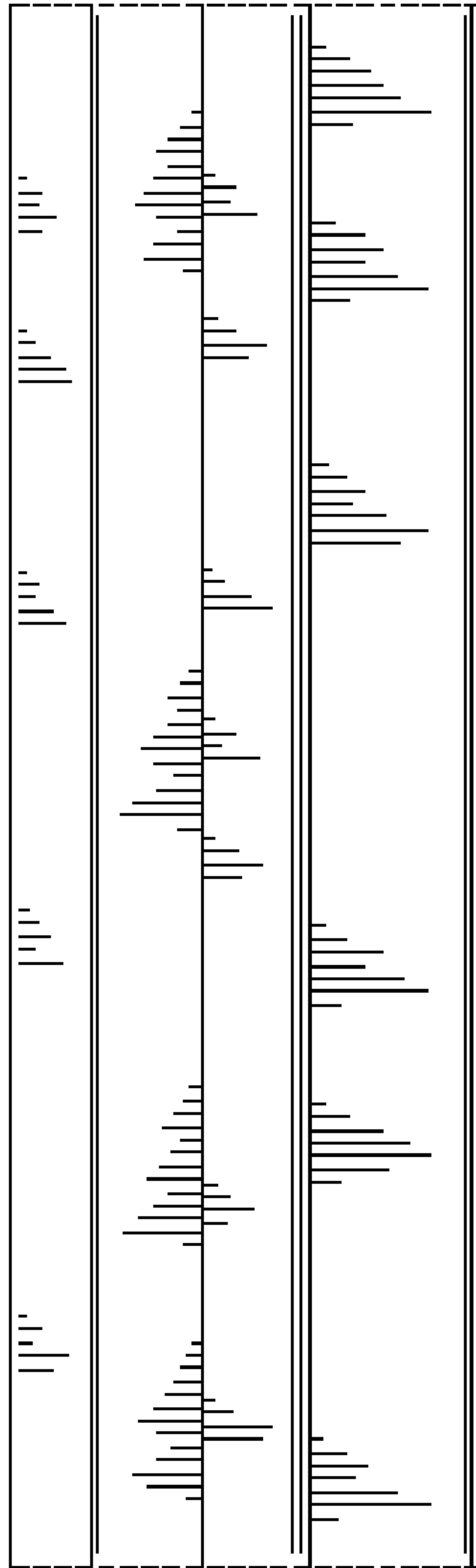


FIG. 2

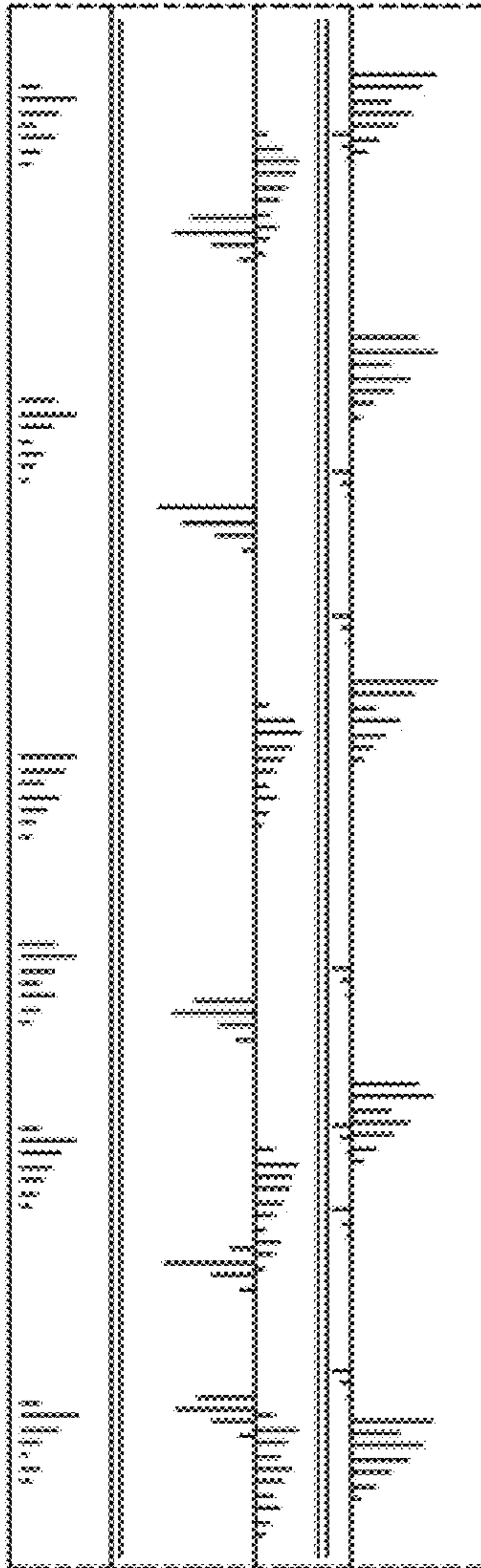


FIG. 3

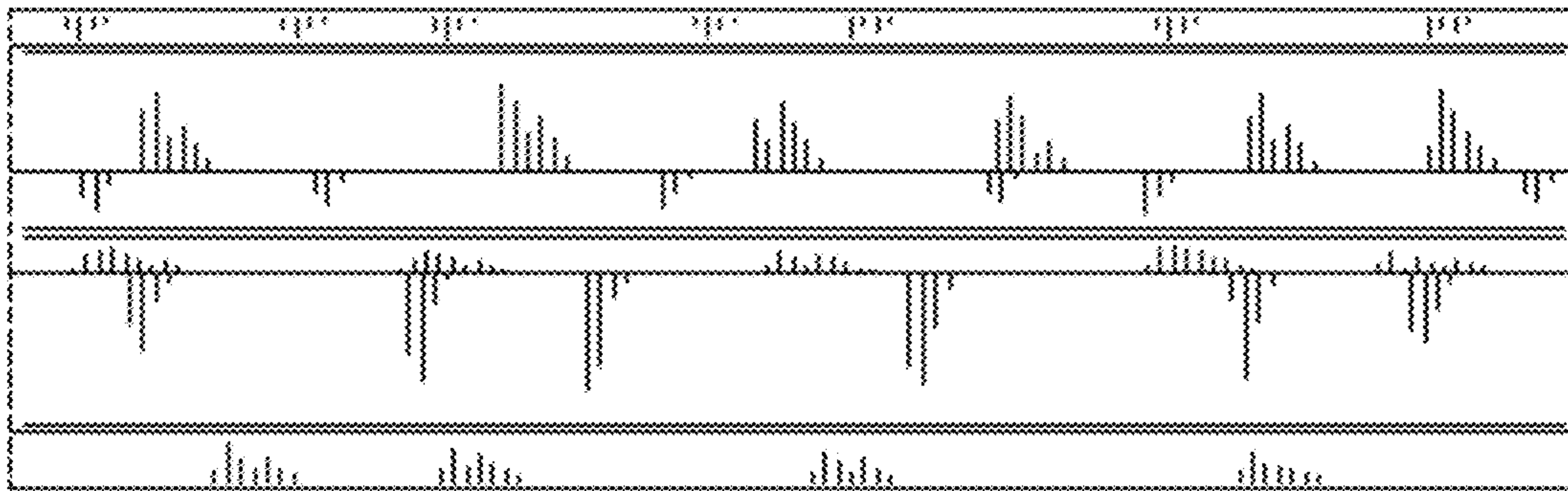


FIG. 4

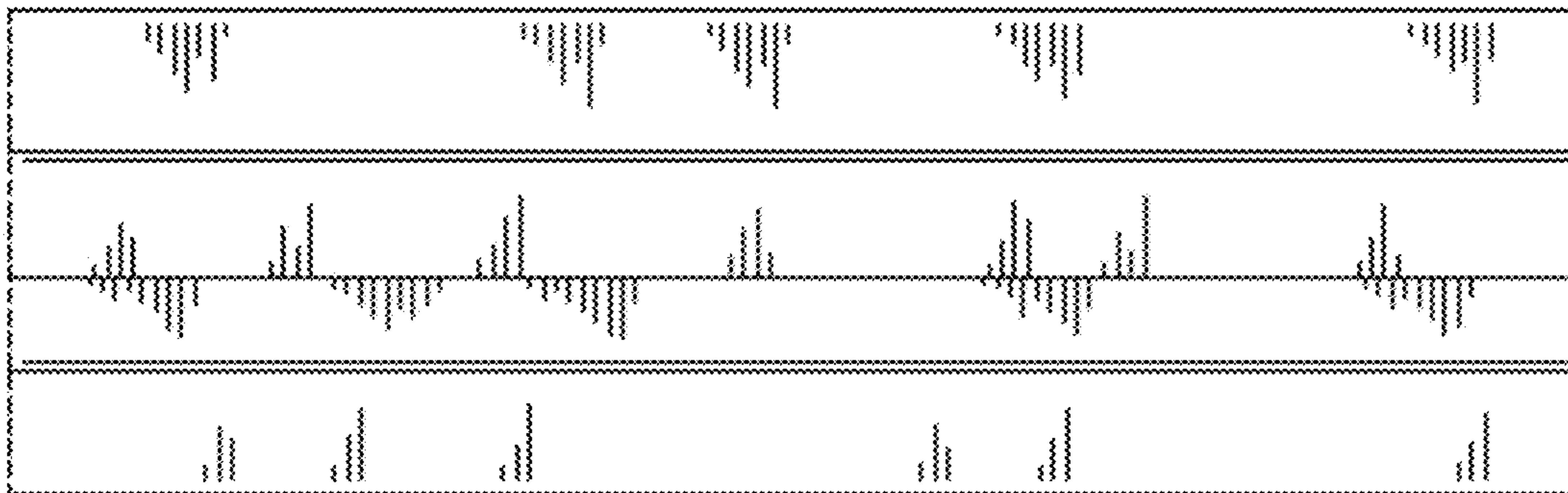


FIG. 5

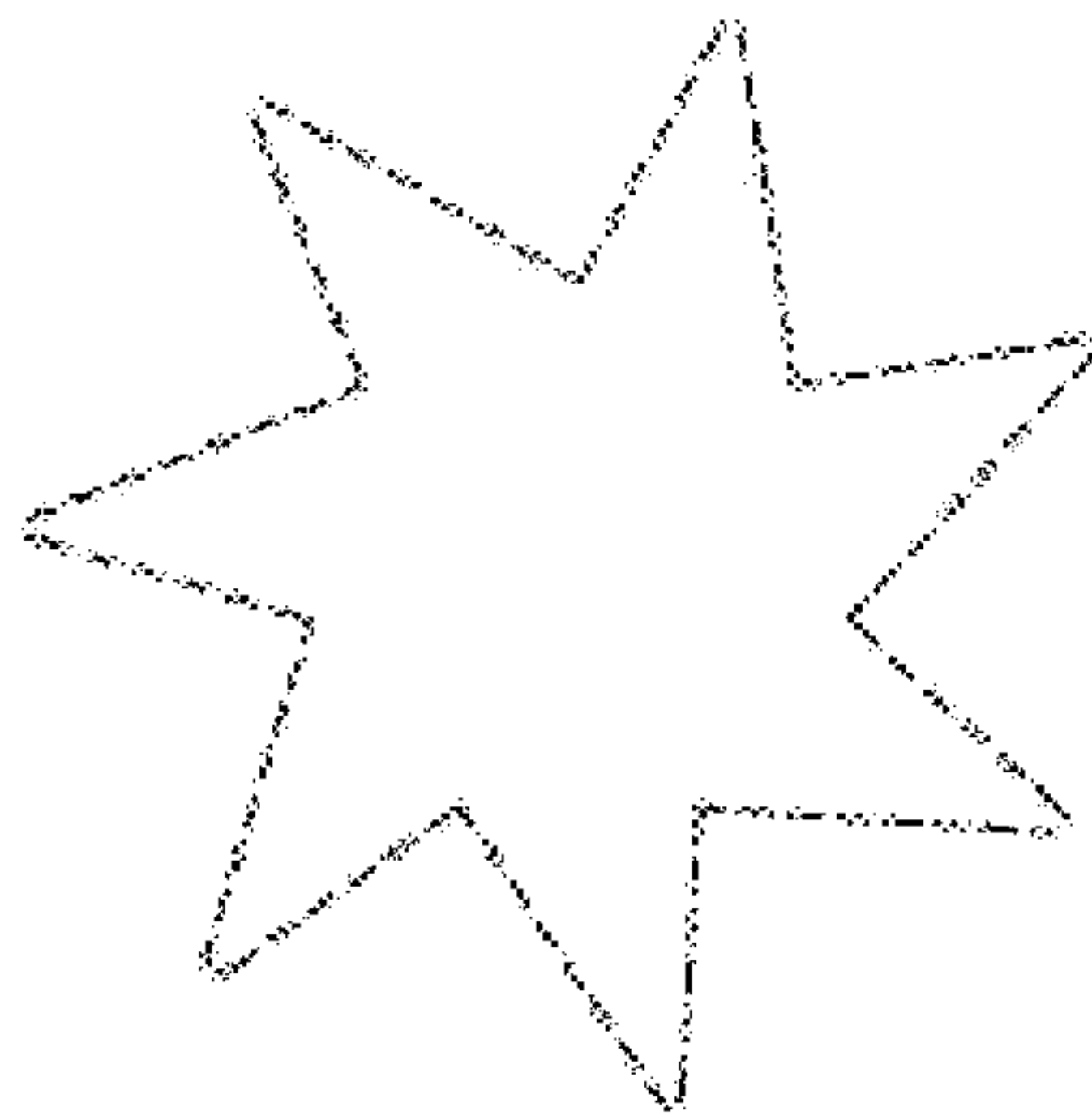


FIG. 6

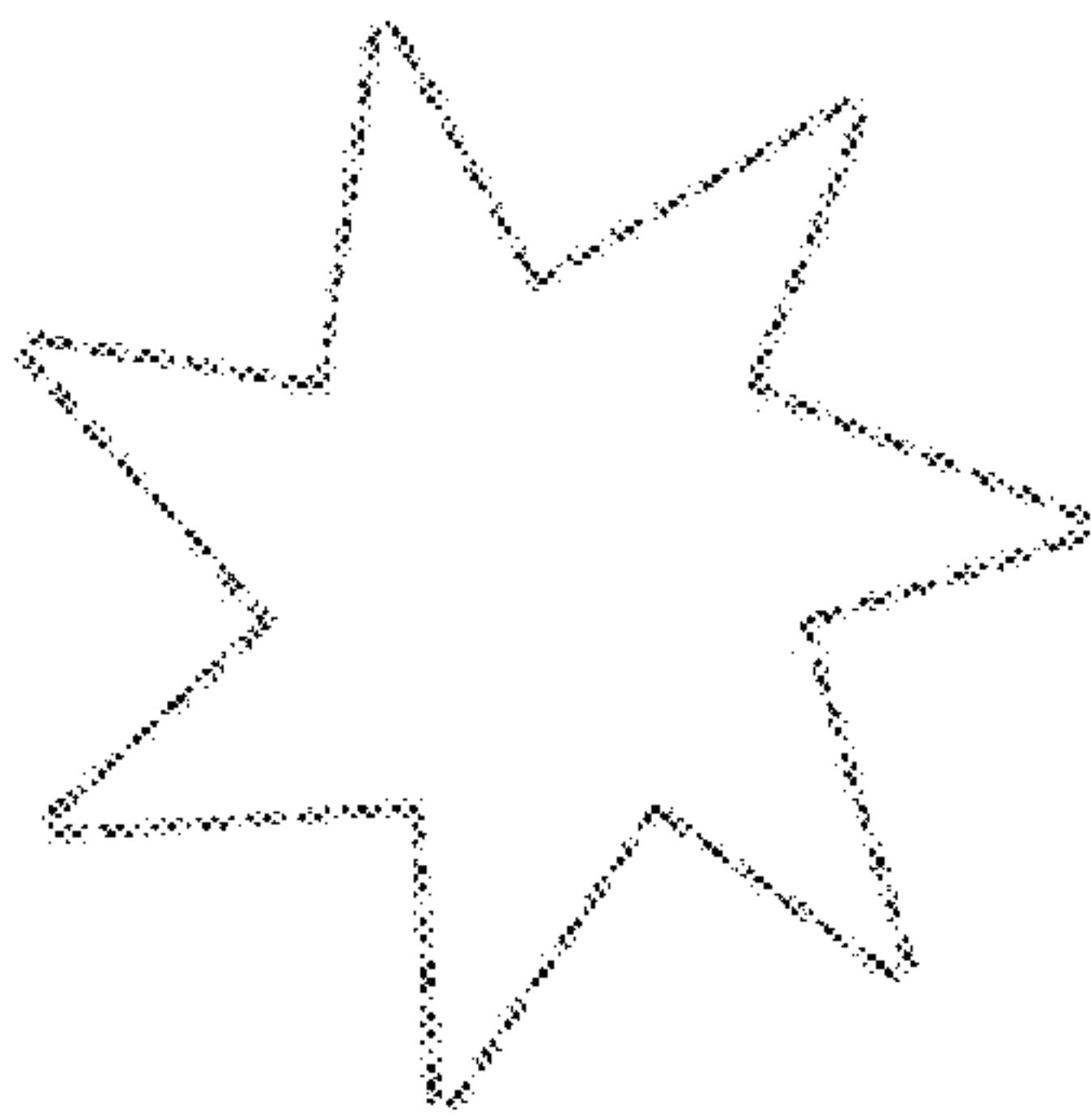


FIG. 7