



US00D892425S

(12) **United States Design Patent**
Bresnahan, Sr. et al.

(10) **Patent No.:** **US D892,425 S**

(45) **Date of Patent:** **** Aug. 4, 2020**

(54) **WHEEL BARROW FRAME**

(71) Applicants: **William Michael Bresnahan, Sr.**,
Medical Lake, WA (US); **Kirby**
Killman, Cheney, WA (US)

(72) Inventors: **William Michael Bresnahan, Sr.**,
Medical Lake, WA (US); **Kirby**
Killman, Cheney, WA (US)

(**) Term: **15 Years**

(21) Appl. No.: **29/658,668**

(22) Filed: **Aug. 1, 2018**

(51) **LOC (12) Cl.** **12-02**

(52) **U.S. Cl.**
USPC **D34/16**

(58) **Field of Classification Search**
USPC D34/12-27; 280/47.31, 47.315, 47.18,
280/47.26, 653, 47.24, 651, 47.19, 47.35,
280/655, 47.34, 47.17, 47.371, 204, 656,
280/659

CPC B62B 1/20; B62B 1/24; B62B 3/02
See application file for complete search history.

(56) **References Cited**

U.S. PATENT DOCUMENTS

4,854,601 A * 8/1989 Herndon B62B 1/18
280/47.31
5,033,760 A * 7/1991 Evans B62B 1/20
280/47.26

D490,584 S * 5/2004 Stark D34/16
6,848,695 B2 * 2/2005 Panasewicz B62B 1/006
280/47.315
D508,597 S * 8/2005 Conaway D34/16
9,463,730 B2 * 10/2016 Romas B62B 1/18
10,246,113 B2 * 4/2019 Bresnahan, Sr. B62B 5/002

* cited by examiner

Primary Examiner — Gino Colan

(57) **CLAIM**

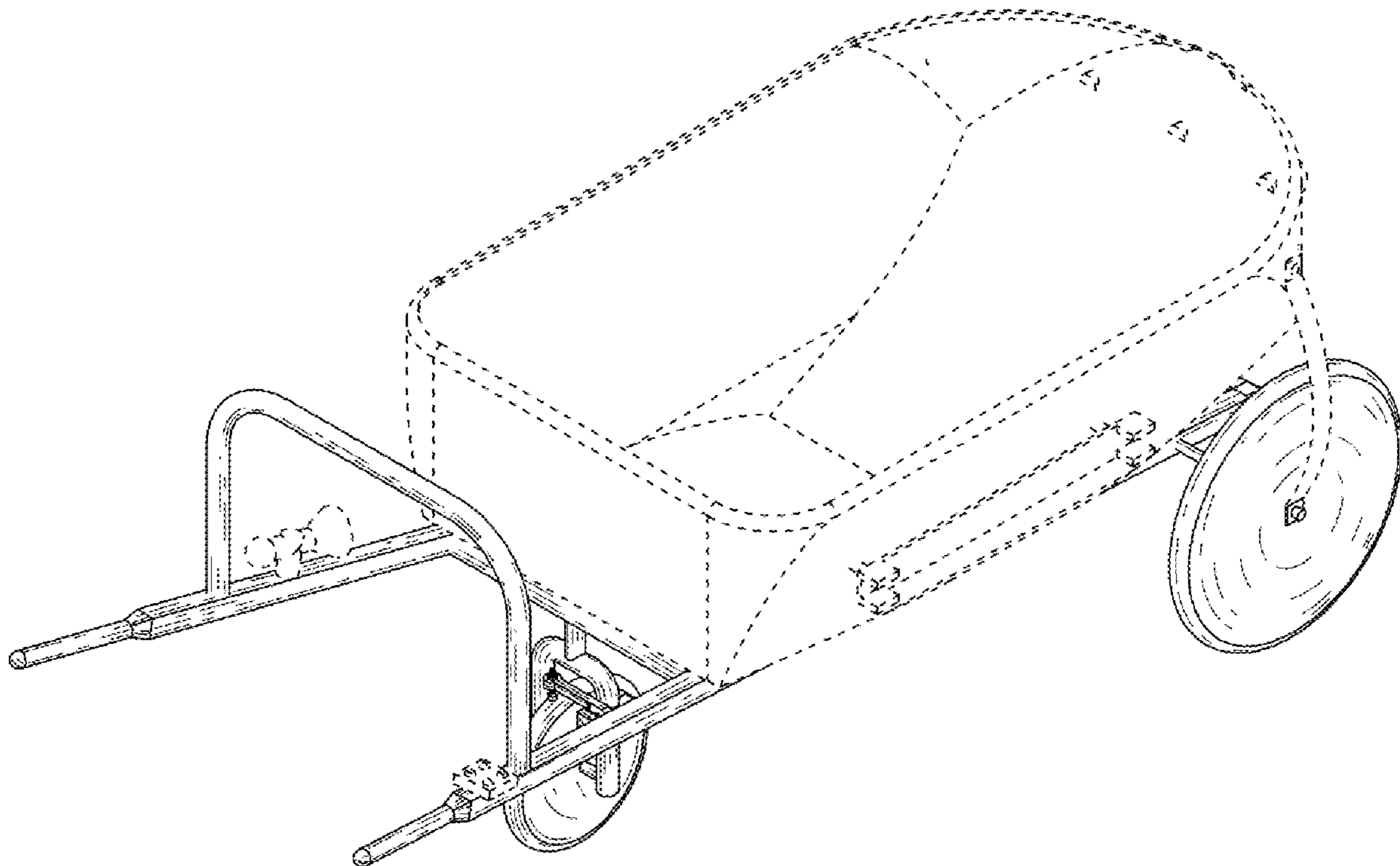
The ornamental design for a wheel barrow frame, as shown and described.

DESCRIPTION

FIG. 1 is a rear top left perspective view of a wheel barrow frame showing our new design;
FIG. 2 is a rear bottom left perspective view thereof;
FIG. 3 is a front bottom right perspective plan view thereof;
FIG. 4 is a back elevation view thereof;
FIG. 5 is a front elevation view thereof;
FIG. 6 is a left elevation view thereof;
FIG. 7 is a right elevation view thereof;
FIG. 8 is a top plan view thereof; and,
FIG. 9 is a bottom plan view thereof.

The broken lines shown in the figures are included for the purpose of illustrating environment and form no part of the claimed design.

1 Claim, 9 Drawing Sheets



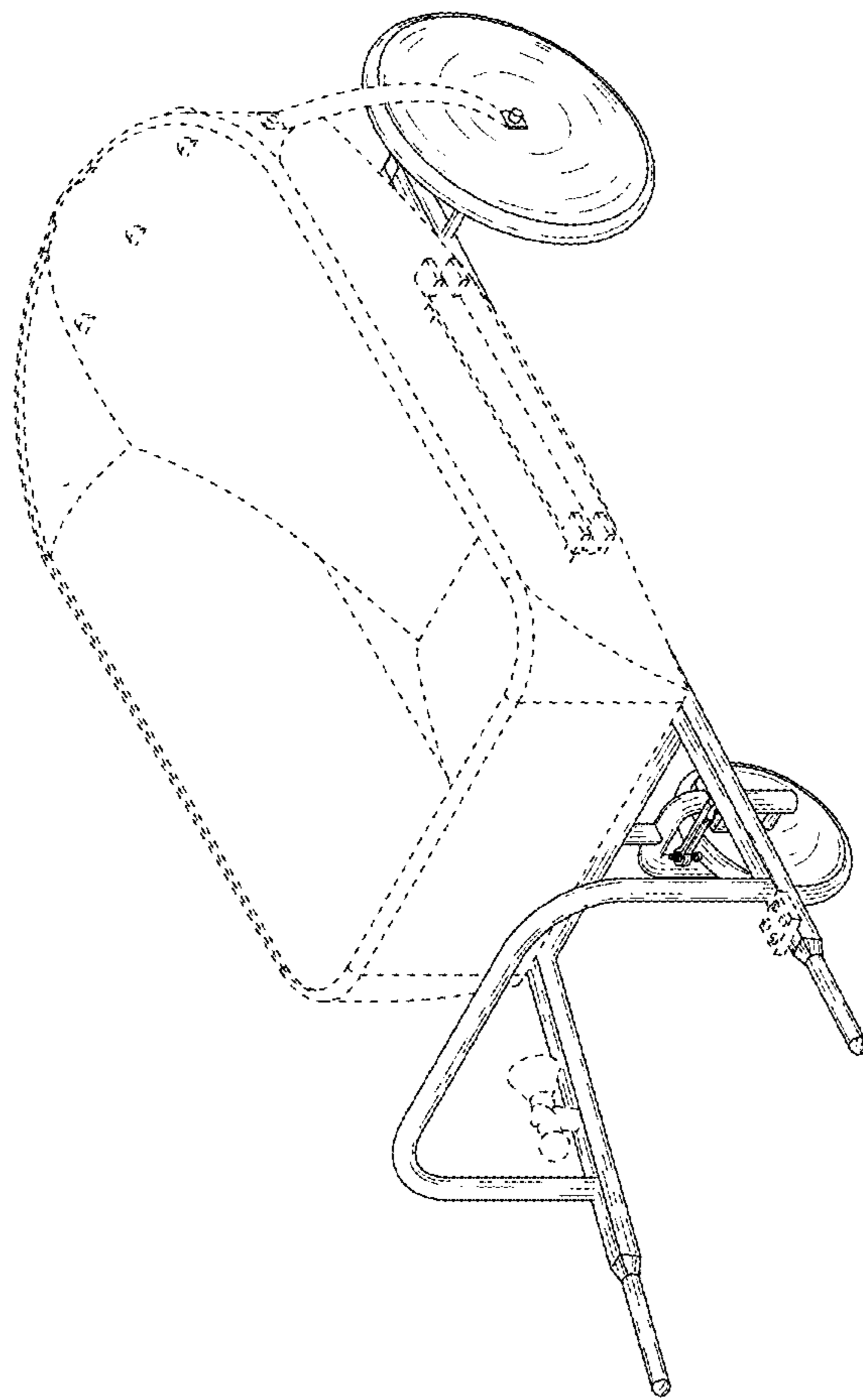


FIG. 1

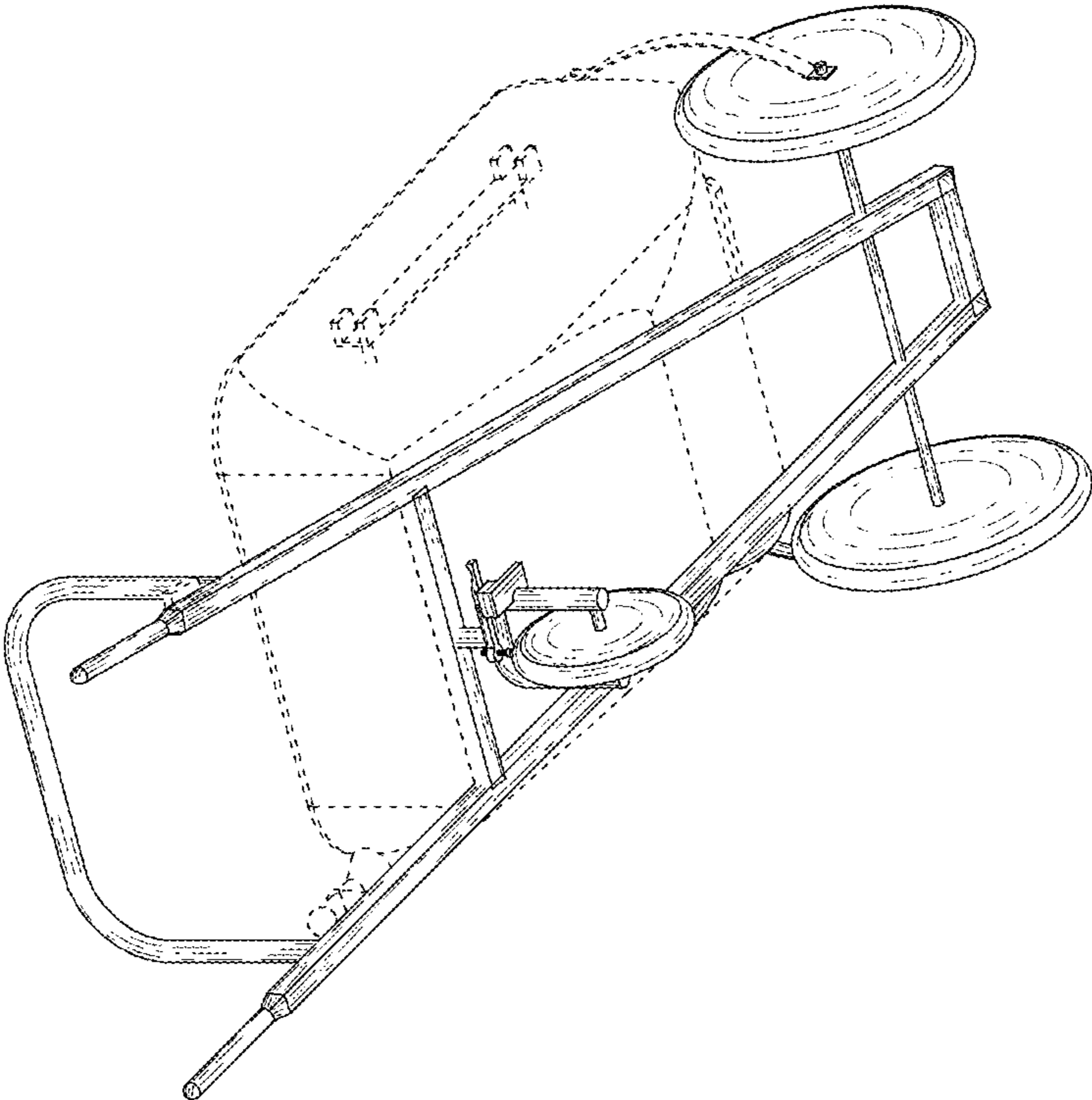


FIG. 2

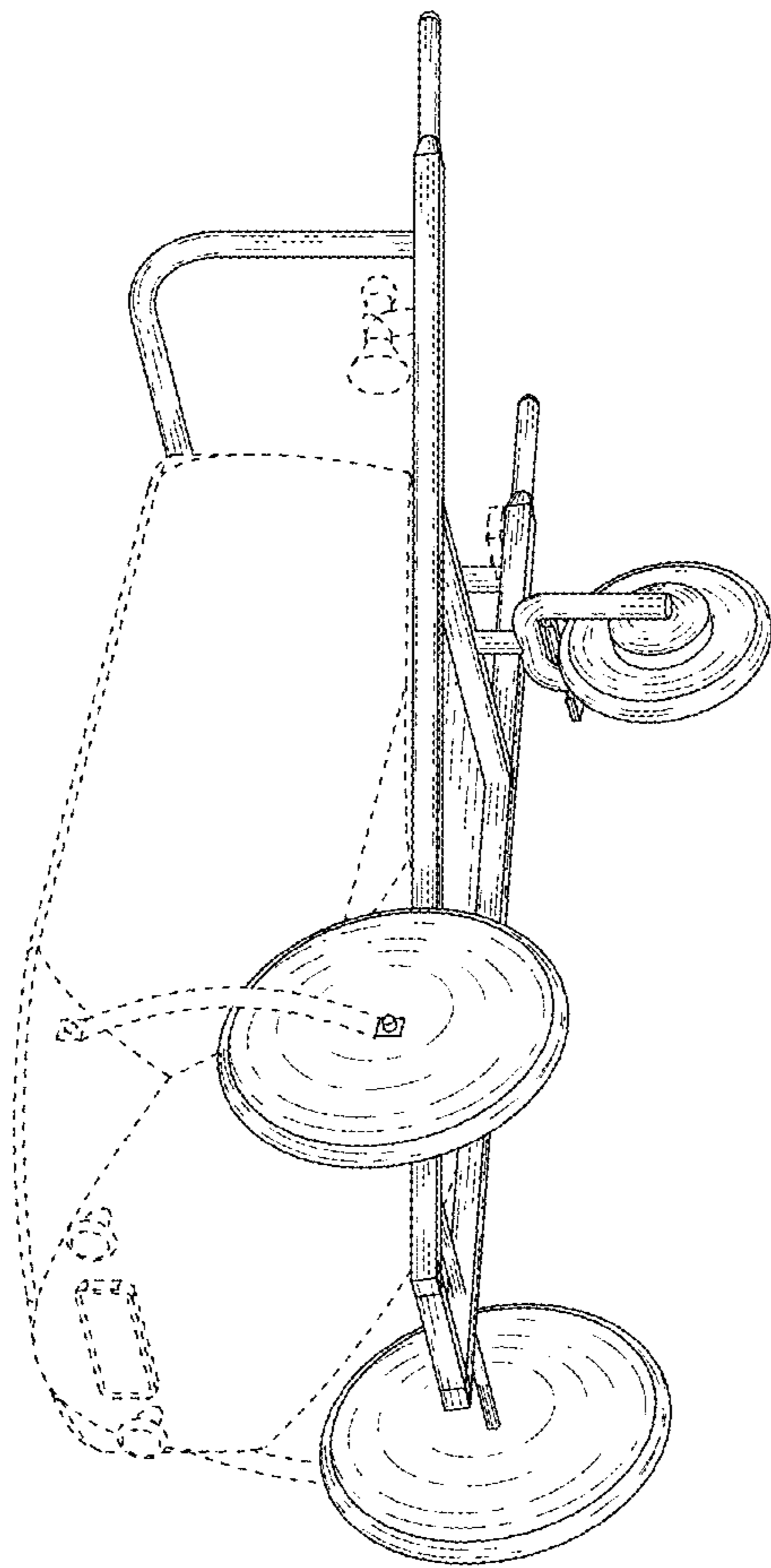


FIG. 3

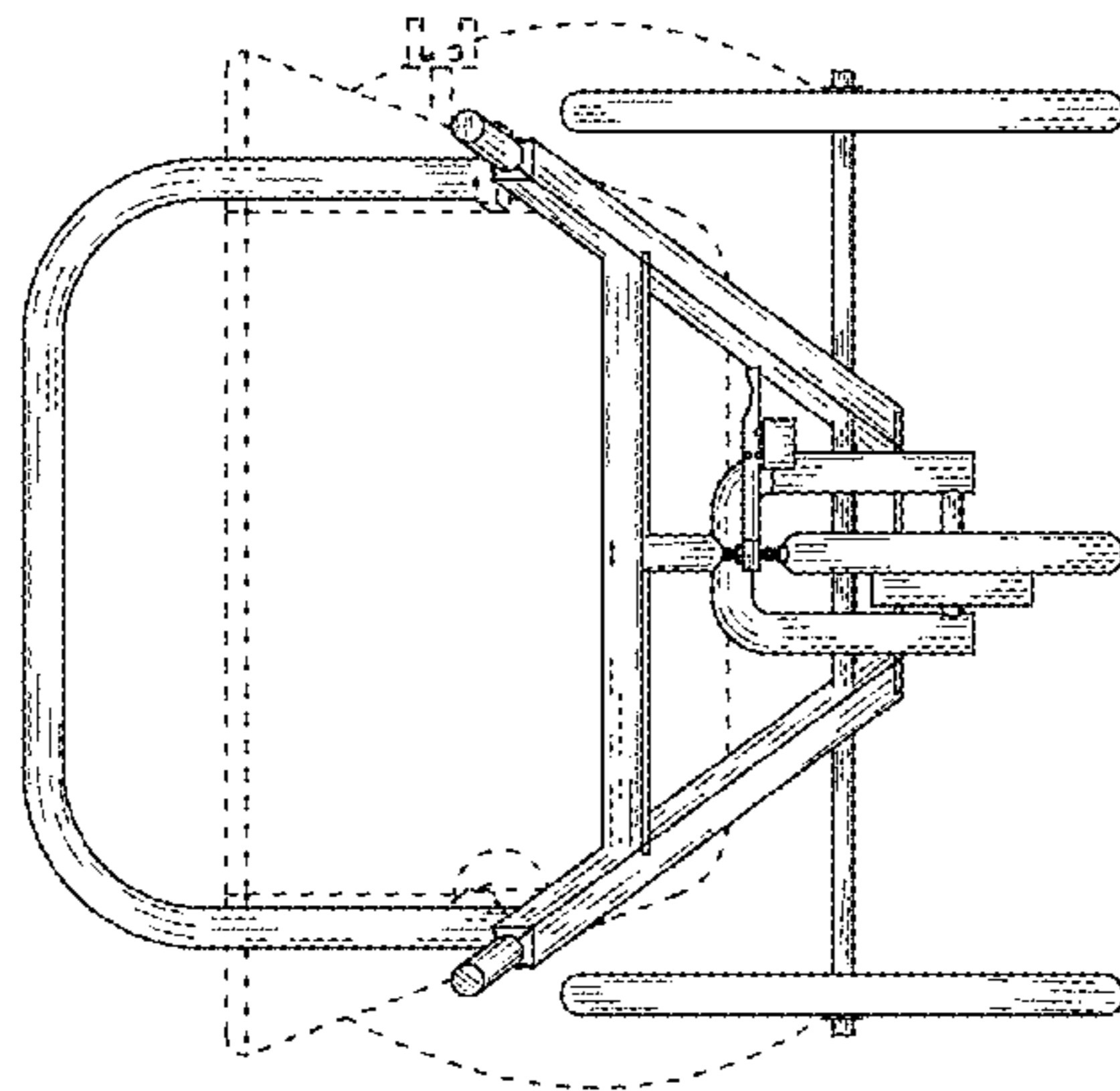


FIG. 4

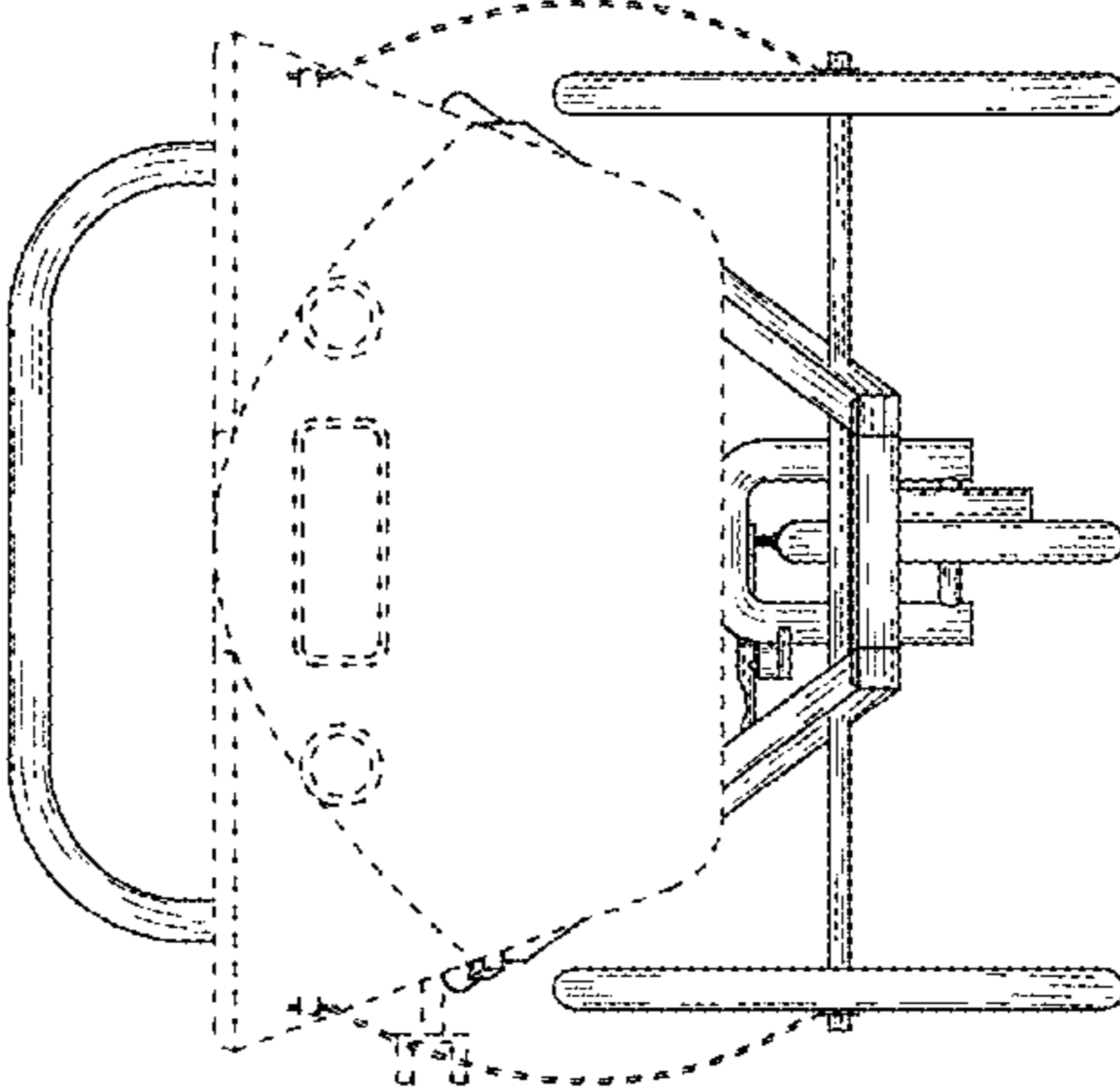


FIG. 5

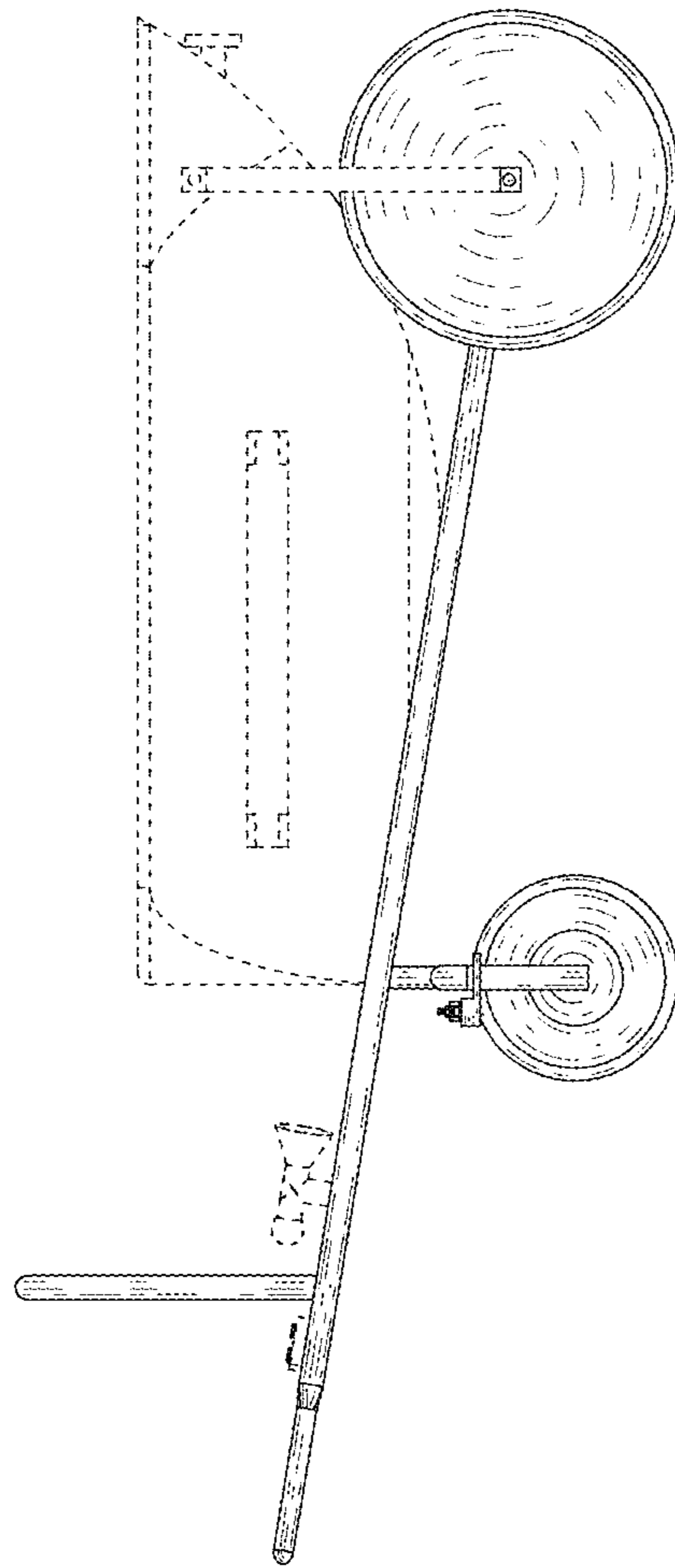


FIG. 6

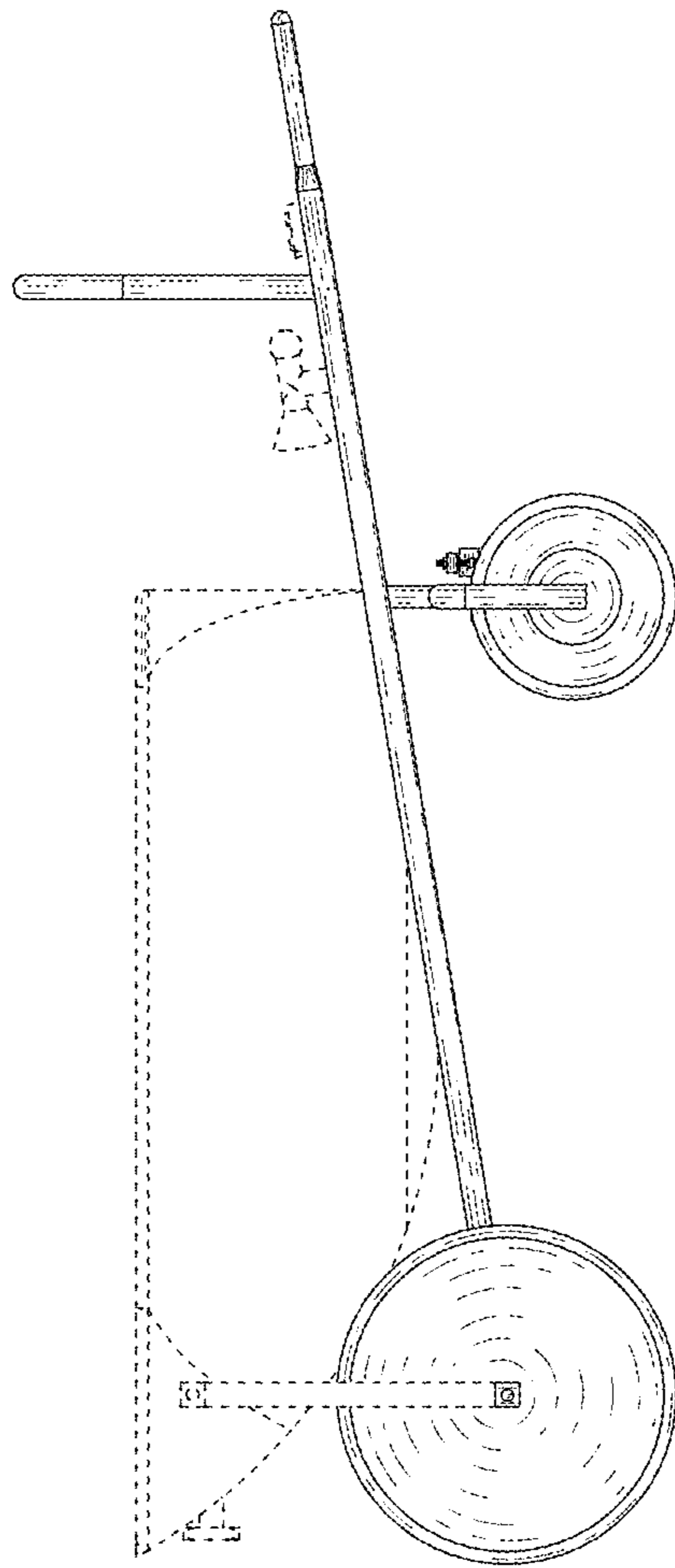


FIG. 7

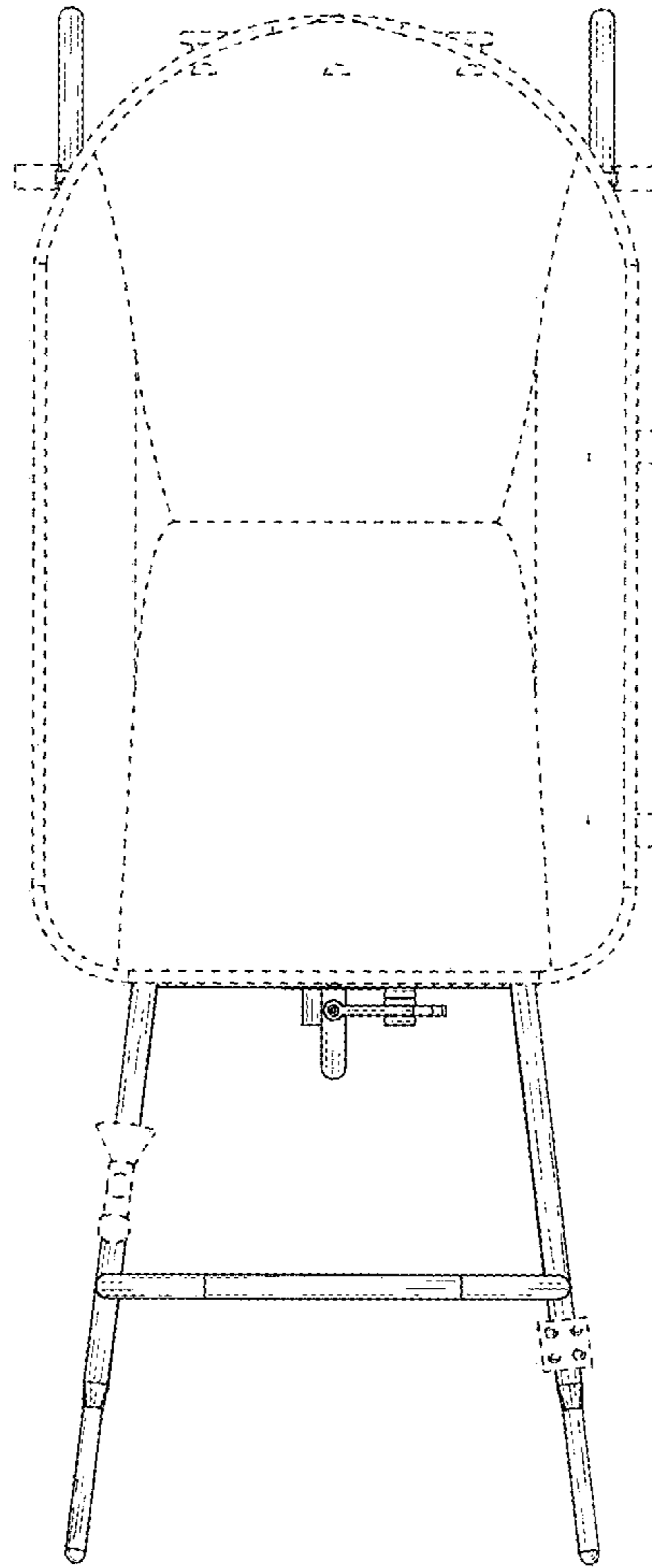


FIG. 8

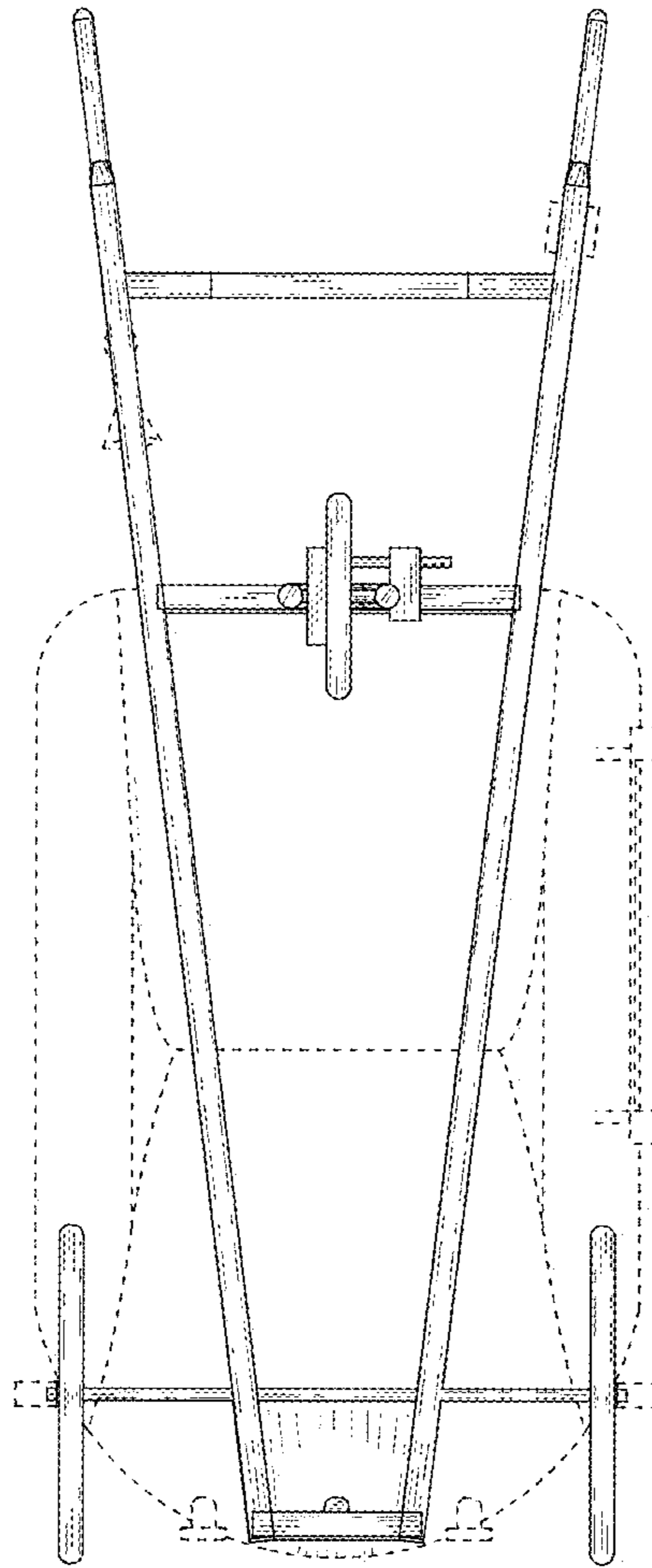


FIG. 9