

US00D892424S

(12) **United States Design Patent** (10) **Patent No.:** **US D892,424 S**
Smyth (45) **Date of Patent:** **** Aug. 4, 2020**

(54) **WASTEBASKET WITH HIDDEN STORAGE COMPARTMENT**

(71) Applicant: **Christina Smyth**, New York, NY (US)

(72) Inventor: **Christina Smyth**, New York, NY (US)

(**) Term: **15 Years**

(21) Appl. No.: **29/701,678**

(22) Filed: **Aug. 13, 2019**

Related U.S. Application Data

(62) Division of application No. 29/639,706, filed on Mar. 8, 2018, now Pat. No. Des. 858,924.

(51) **LOC (12) Cl.** **09-09**

(52) **U.S. Cl.**
USPC **D34/9**

(58) **Field of Classification Search**
USPC D23/202, 203, 207; D34/1, 2, 3, 4, 5, 6, D34/7, 8, 9, 10, 11, 39; 220/62.13, 4.04, 220/211, 212, 252, 262, 263, 484, 495.08, 220/569, 703, 737, 748, 908, 908.1, 220/908.2, 909; D9/737, 738, 770, 772, D9/777, 778

CPC B65F 1/0006; B65F 1/163; B65F 7/00; B65F 1/004

See application file for complete search history.

(56) **References Cited**

U.S. PATENT DOCUMENTS

- 520,505 A * 5/1894 Upton B65D 47/40
222/111
- 600,508 A * 3/1898 Brooks B65D 51/246
220/212
- 2,079,052 A 5/1937 Tamini
- D336,703 S * 6/1993 Mason, Jr. D19/81
- 5,350,079 A 9/1994 Larson et al.
- 6,010,024 A * 1/2000 Wang B65F 1/163
220/23.87

(Continued)

FOREIGN PATENT DOCUMENTS

CN	203402559 U	1/2014
CN	103771059 A	5/2014
KR	101010853 B	1/2011

OTHER PUBLICATIONS

Homedepot, "Oscar Round 8 Gal . . . Open Trash Can . . .", Mar. 21, 2019. <https://www.homedepot.com/p/happimess-Oscar-Round-8-Gal-White-Black-Step-Open-Trash-Can-with-Free-Mini-Trash-Can-HPM1003A/305266019>. Shown on p. 1 (Year: 2019).

Primary Examiner — Cynthia Ramirez

Assistant Examiner — Michael A Maharajh

(74) *Attorney, Agent, or Firm* — Weber Rosselli & Cannon LLP

(57) **CLAIM**

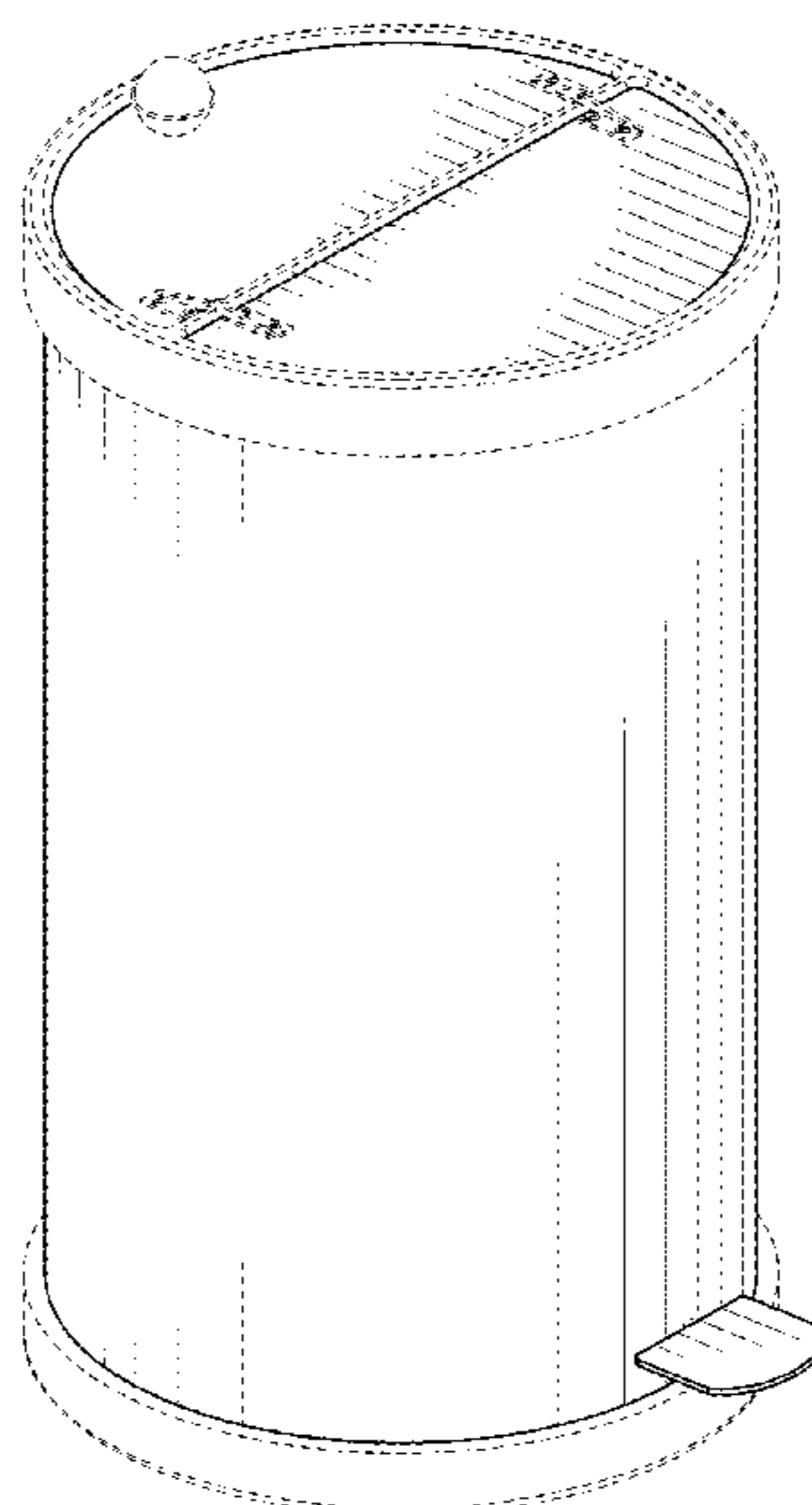
The ornamental design for a wastebasket with hidden storage compartment, as shown and described.

DESCRIPTION

FIG. 1 is a top perspective view of a wastebasket with hidden storage compartment, showing my new design; FIG. 2 is a front elevation view thereof; FIG. 3 is a back elevation view thereof; FIG. 4 is a right side elevation view thereof; FIG. 5 is a left side elevation view thereof; FIG. 6 is a top plan view thereof; FIG. 7 is a bottom plan view thereof; FIG. 8 is a top perspective view thereof showing the lids in an open configuration; and, FIG. 9 is a top perspective view thereof showing a removable liner.

The broken lines shown in the drawings are for the purpose of illustrating portions of the wastebasket with hidden storage compartment, which form no part of the claimed design.

1 Claim, 6 Drawing Sheets



(56)

References Cited

U.S. PATENT DOCUMENTS

D446,619 S	8/2001	Howard et al.	
6,311,859 B1	11/2001	Haas	
6,386,386 B1	5/2002	George	
D476,457 S	6/2003	Verbeek	
D488,604 S *	4/2004	Yang	D34/9
D489,857 S	5/2004	Yang et al.	
D491,706 S	6/2004	Yang et al.	
D493,930 S	8/2004	Wang	
D503,021 S	3/2005	Yang et al.	
D503,502 S *	3/2005	Lai	D34/9
D513,445 S *	1/2006	Lin	D34/9
D515,264 S *	2/2006	Daams	D34/7
D517,761 S	3/2006	Yang et al.	
D517,766 S	3/2006	Lin	
D522,204 S	5/2006	Lin	
D526,103 S	8/2006	Sangteerasintop	
D530,874 S	10/2006	Lin	
D540,000 S	4/2007	Mandel	
D540,995 S	4/2007	Haupt	
D542,001 S *	5/2007	Yang	D34/9
D544,170 S	6/2007	Lin	
7,225,943 B2 *	6/2007	Yang	A61L 9/014 220/23.9
D555,319 S	11/2007	Lin	
D568,572 S	5/2008	Yang et al.	
D579,618 S	10/2008	Wang et al.	
D582,121 S	12/2008	Wang et al.	
7,543,716 B2 *	6/2009	Lin	B65F 1/163 220/495.11
D597,273 S *	7/2009	Chipman	D34/7
D623,819 S	9/2010	Yang et al.	
D626,713 S	11/2010	Yang et al.	
7,828,168 B2 *	11/2010	Gagnebin	B65F 1/06 220/495.04
D629,579 S	12/2010	Lin	
D632,864 S	2/2011	Yang et al.	
D639,009 S	5/2011	Lin	
D653,009 S	1/2012	Larrivee et al.	
D657,108 S	4/2012	Yang et al.	
D671,290 S	11/2012	Vanhoof	
D674,571 S	1/2013	Sakaguchi et al.	
D683,098 S *	5/2013	Huang	D34/9
D716,015 S	10/2014	van de Leest	
D717,014 S *	11/2014	Han	D34/9
D719,313 S	12/2014	Kao	
8,973,774 B1	3/2015	Stravitz	
D733,987 S *	7/2015	Coffin	D34/9
D759,332 S	6/2016	Basmajian et al.	
D762,037 S	7/2016	Chen	
D769,565 S	10/2016	Chen	
D769,566 S	10/2016	Chen	
D799,137 S	10/2017	Bowen	
D802,239 S *	11/2017	Chen	D34/7
D803,505 S	11/2017	Duvigneau	
D806,339 S *	12/2017	Bowen	D34/10
D808,103 S	1/2018	Bowen	
D825,130 S	8/2018	Duvigneau	
D831,291 S	10/2018	Chenvainu	
D838,426 S	1/2019	Chenvainu	
D840,628 S	2/2019	Chang	
D841,924 S	2/2019	Liao	
D843,078 S *	3/2019	Thitakham	D34/9
D851,349 S *	6/2019	Beumer	D34/9
D854,771 S *	7/2019	Wang	D34/9
D858,024 S *	8/2019	Yang	D34/9
D858,924 S *	9/2019	Smyth	D34/9
2004/0265197 A1 *	12/2004	Lin	A61L 9/015 422/305
2005/0082196 A1 *	4/2005	Lin	B65F 1/062 D34/1
2006/0081632 A1 *	4/2006	Shieh	B65F 7/00 220/87.1
2006/0091247 A1 *	5/2006	Matlin	A61L 11/00 241/36
2006/0175336 A1 *	8/2006	Wang	B65F 1/06 220/495.04
2006/0196873 A1 *	9/2006	Lin	B65F 1/06 220/23.87
2008/0116207 A1 *	5/2008	Yang	B65F 1/04 220/495.11
2008/0135558 A1 *	6/2008	Udodor	B65F 1/06 220/495.06
2009/0071959 A1	3/2009	Cheung	
2009/0179037 A1 *	7/2009	Spivey	B30B 9/3053 220/729
2010/0147865 A1	6/2010	Yang et al.	
2010/0176126 A1 *	7/2010	Shikano	B65F 1/06 220/23.91
2011/0272407 A1 *	11/2011	Golcheh	B65F 1/12 220/495.06
2012/0077029 A1 *	3/2012	Troutman	B32B 7/06 428/352
2014/0246432 A1	9/2014	Yang et al.	
2015/0021332 A1 *	1/2015	Autumn	B65F 1/062 220/495.08
2015/0274417 A1 *	10/2015	Feanny	B65F 1/068 220/495.08
2017/0166395 A1 *	6/2017	Taylor	B65F 1/06
2018/0127204 A1	5/2018	Smyth	

* cited by examiner

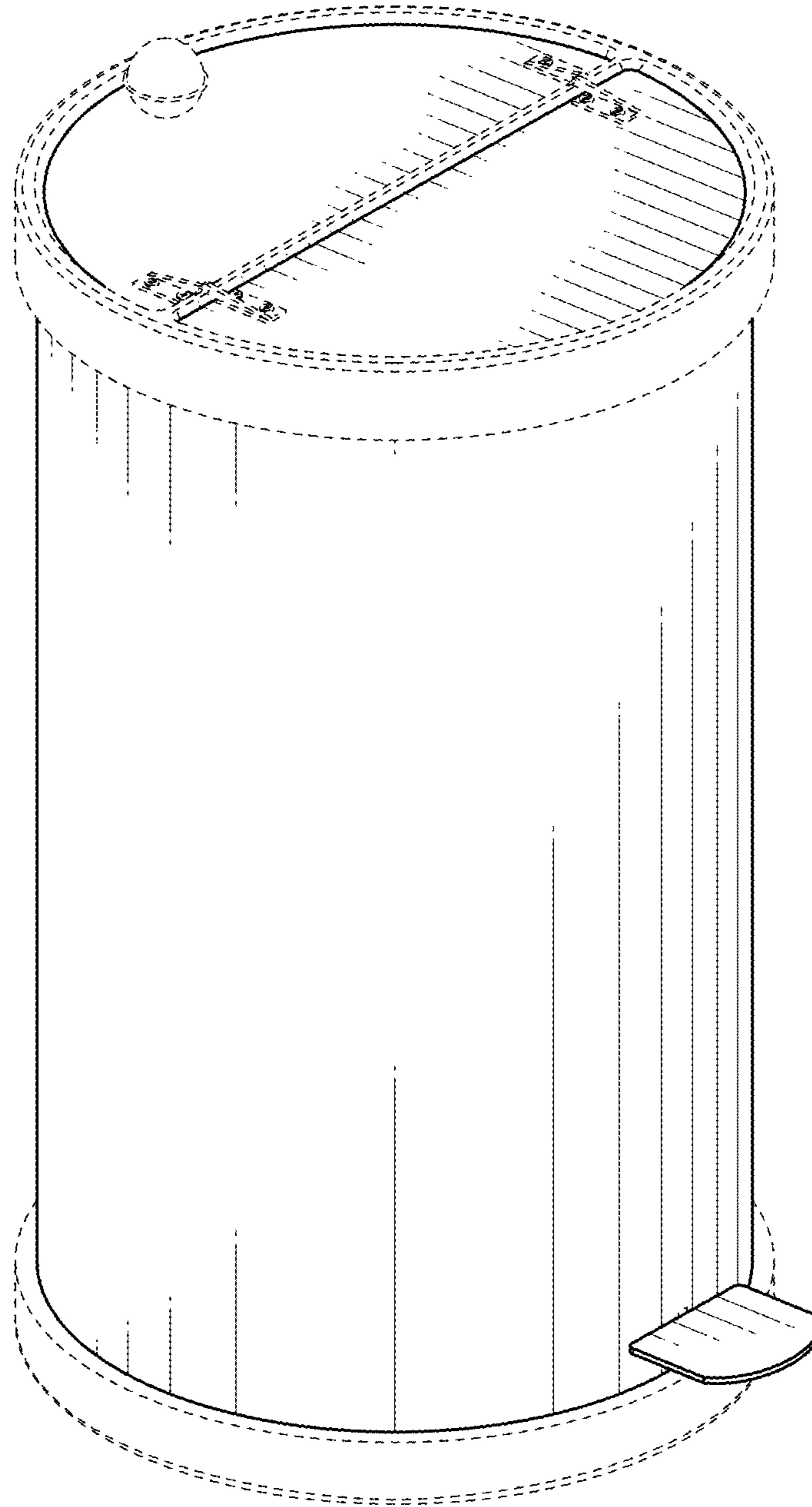


FIG. 1

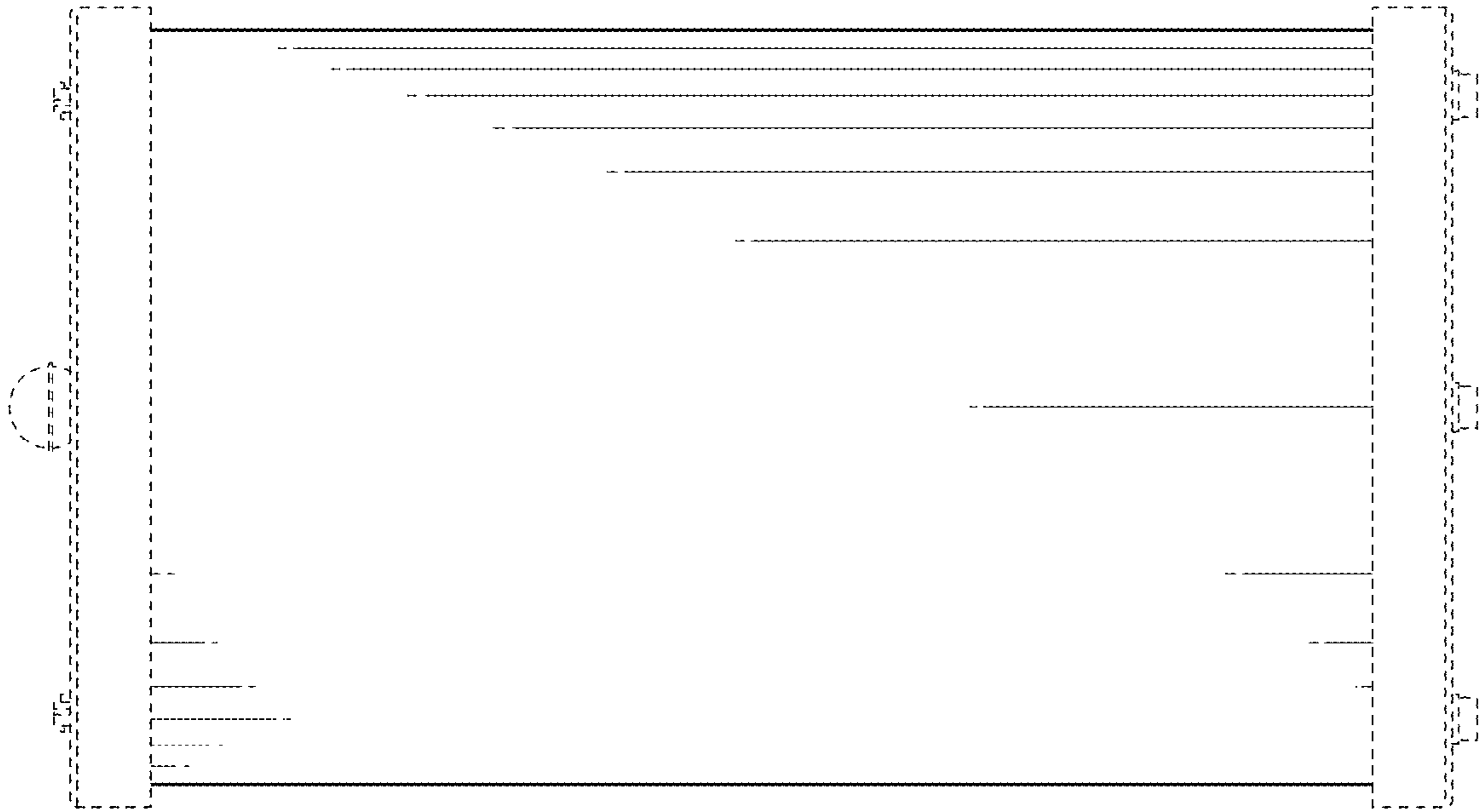


FIG. 2

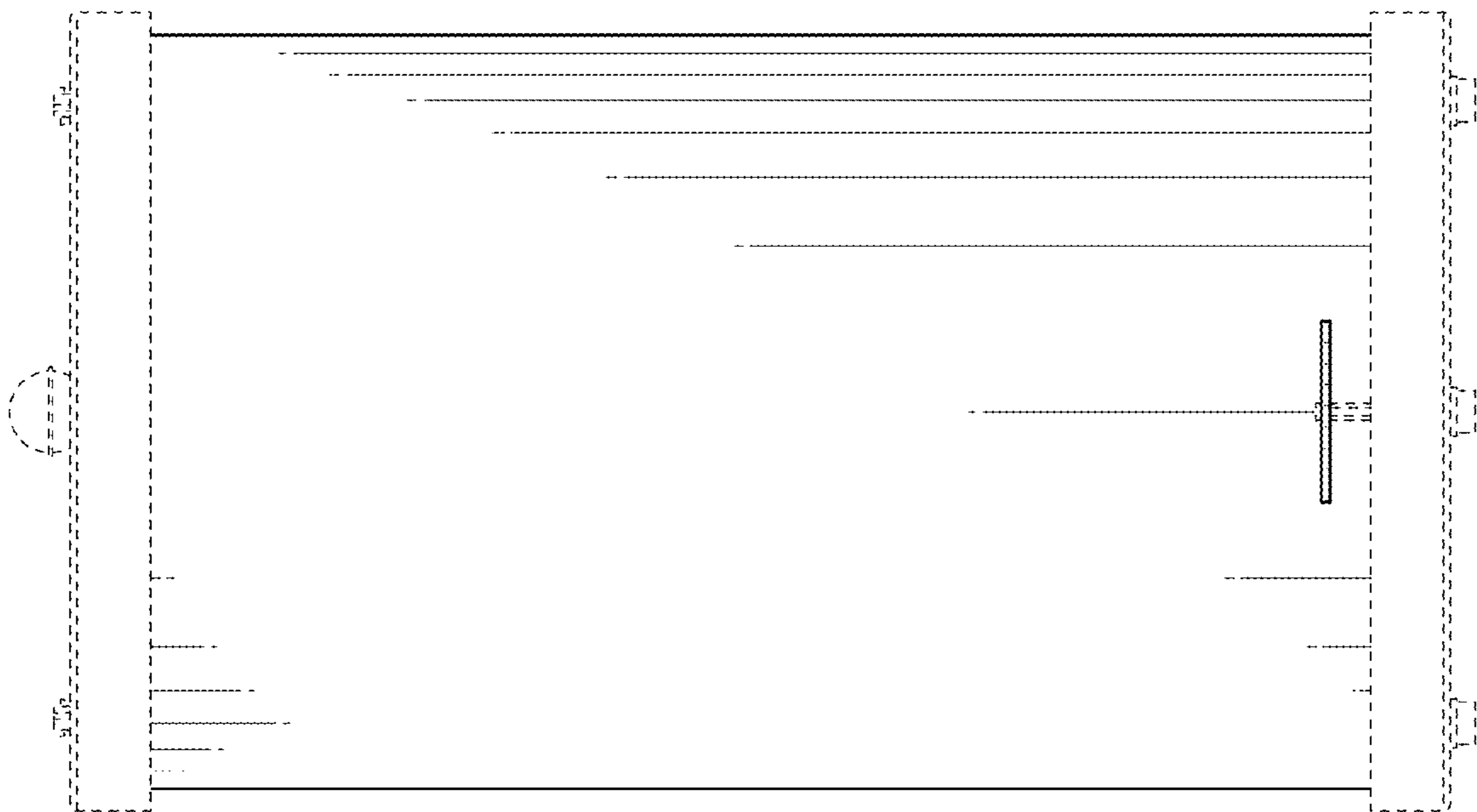


FIG. 3

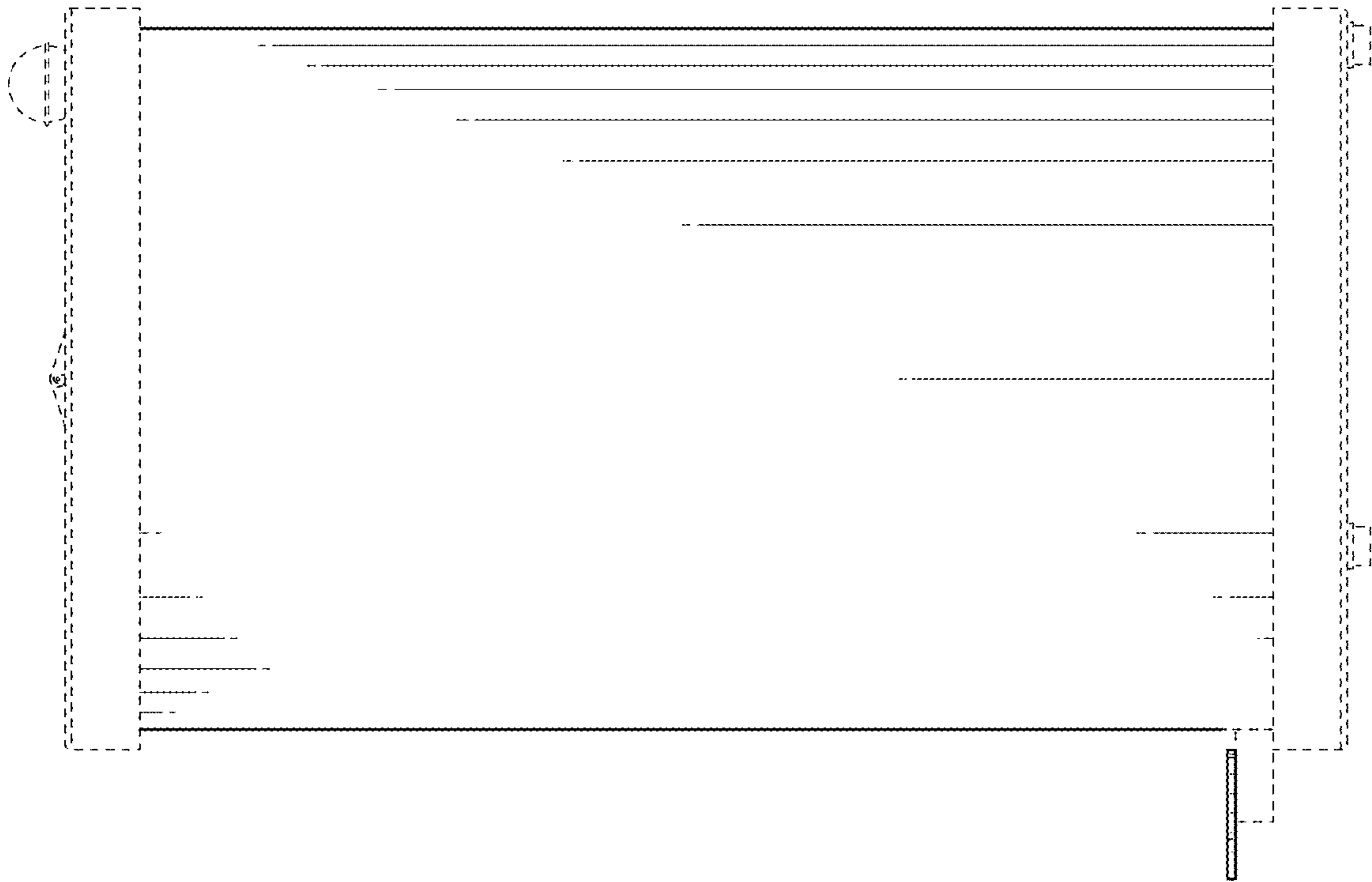


FIG. 4

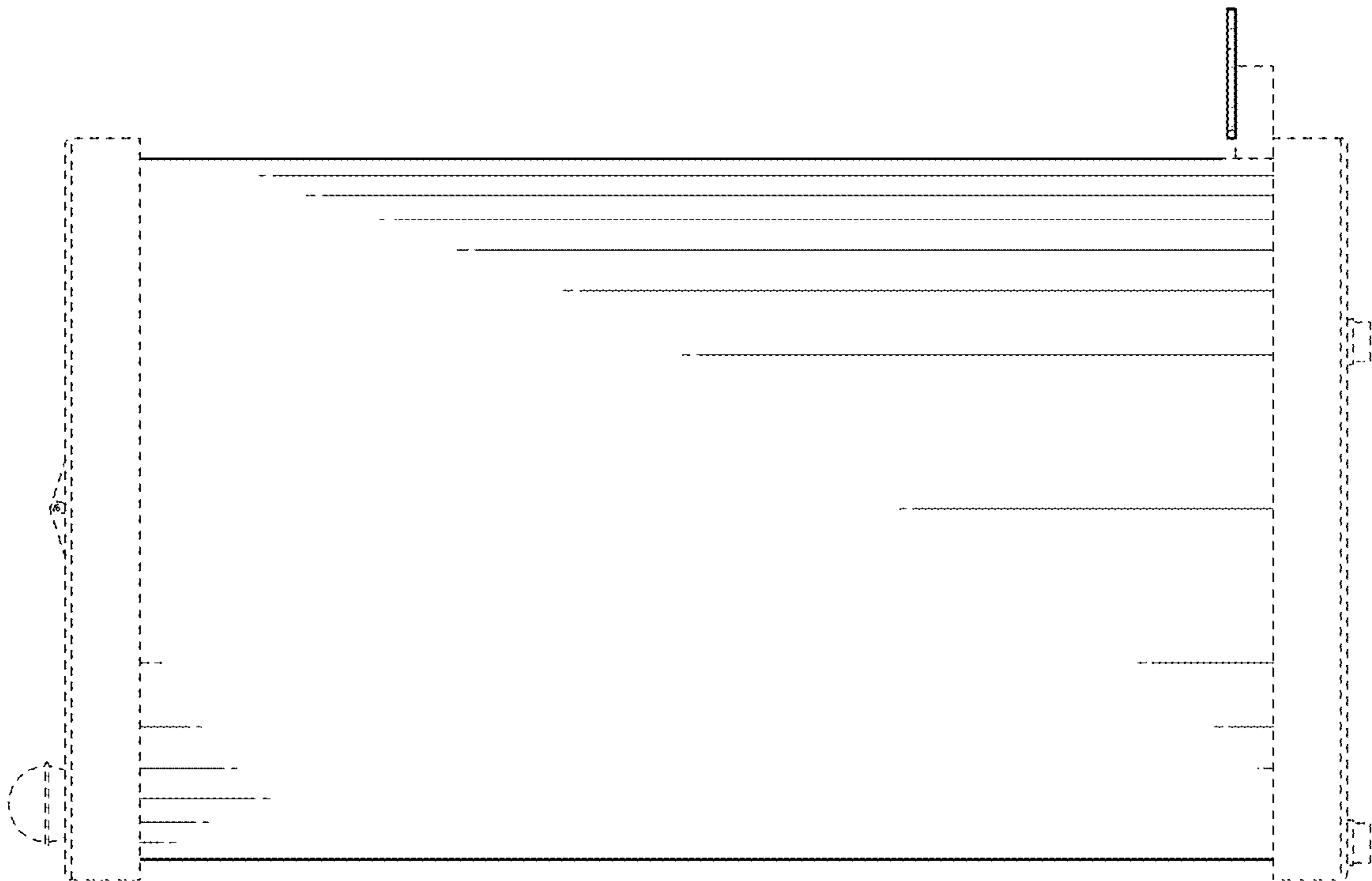


FIG. 5

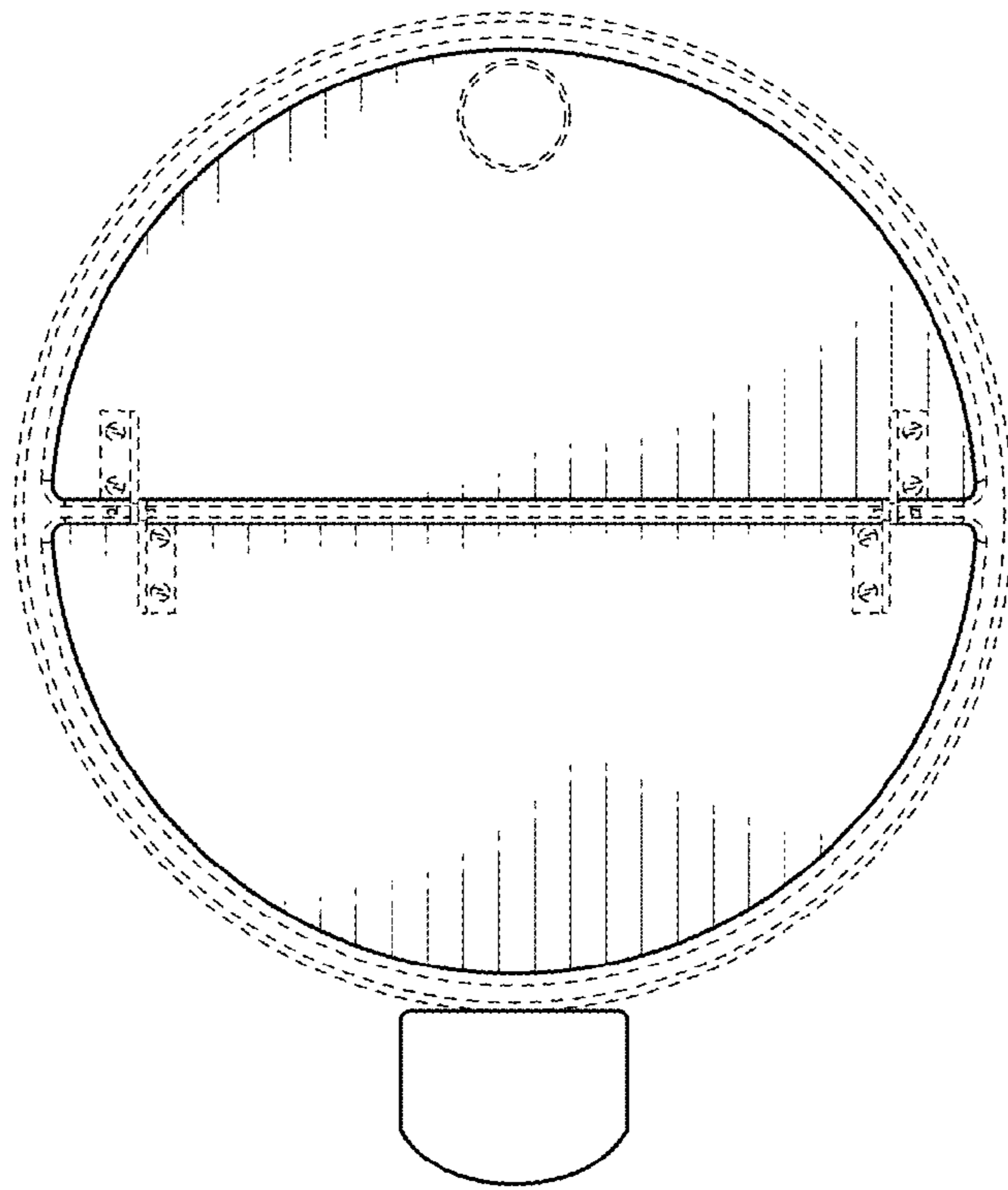


FIG. 6

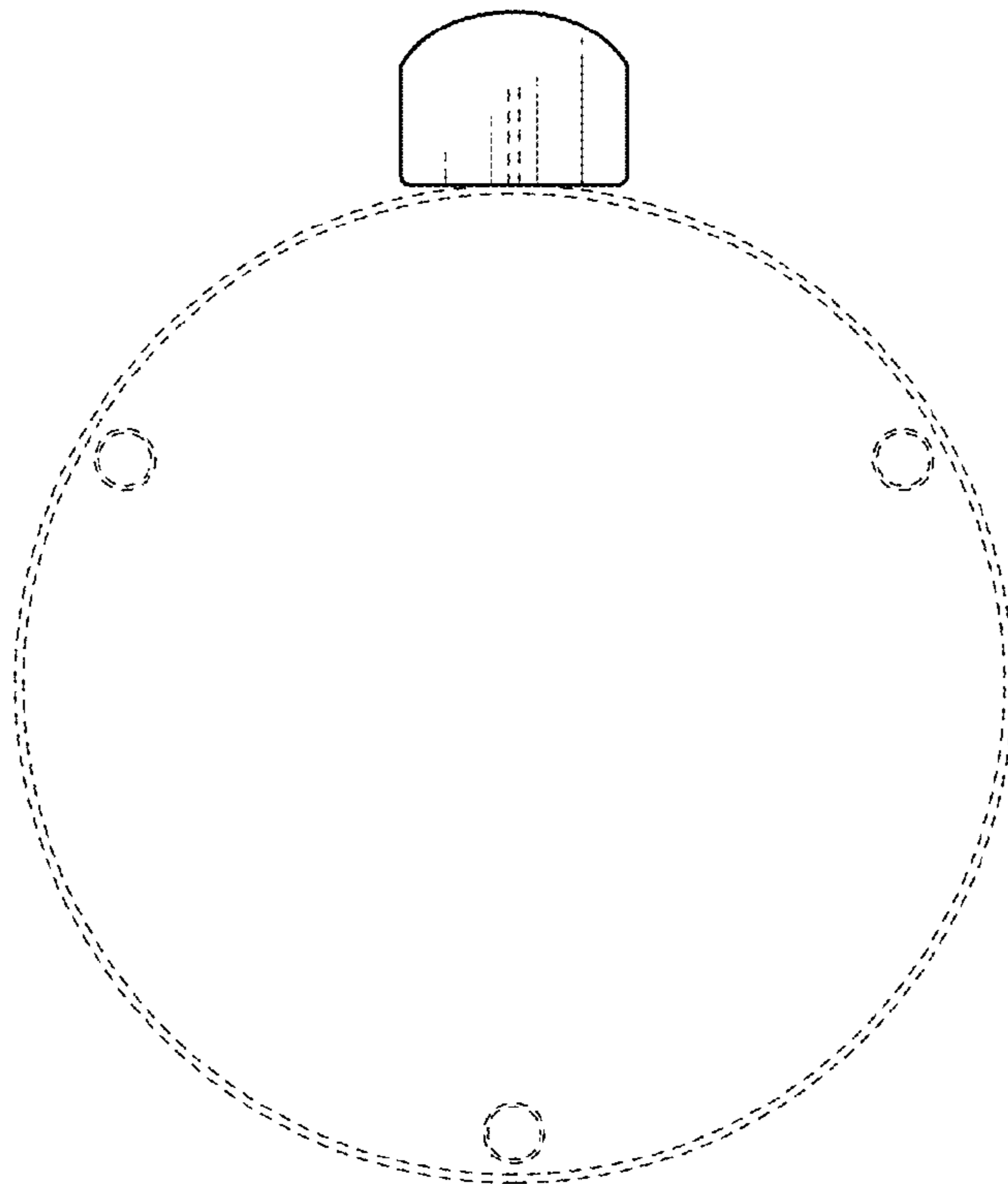


FIG. 7

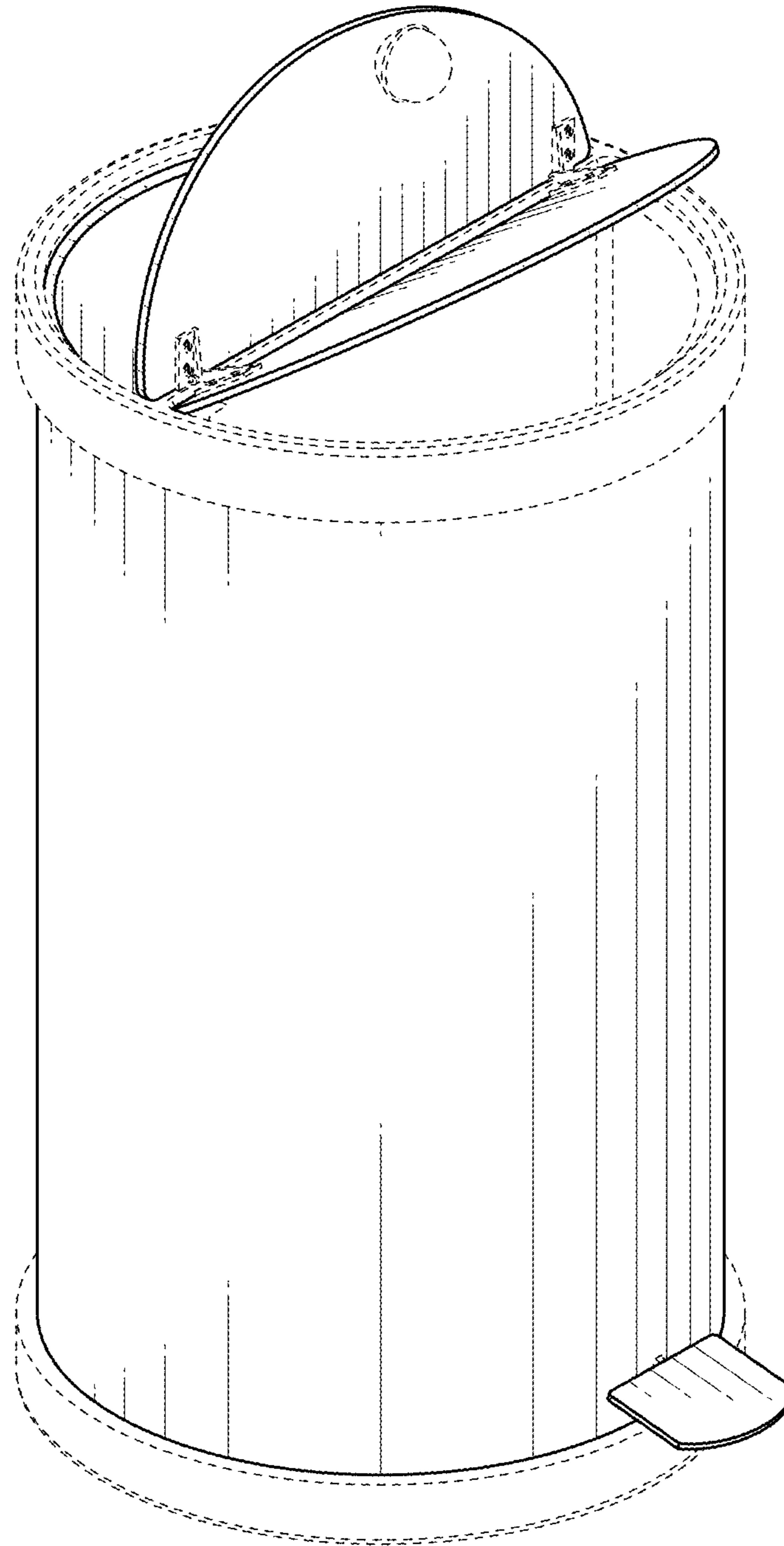


FIG. 8

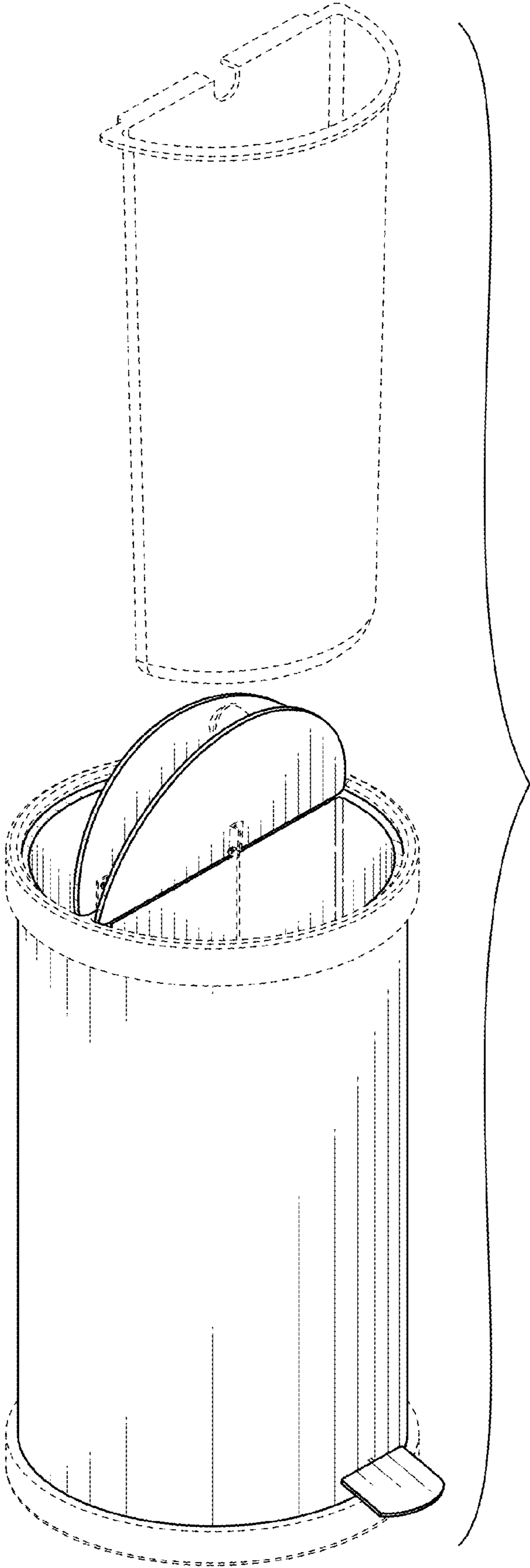


FIG. 9