



US00D892423S

(12) **United States Design Patent**
Dickey

(10) **Patent No.:** **US D892,423 S**

(45) **Date of Patent:** **** Aug. 4, 2020**

(54) **TRASH BAG HOLDER**

(71) Applicant: **Freddy Dickey**, Porter, TX (US)

(72) Inventor: **Freddy Dickey**, Porter, TX (US)

(**) Term: **15 Years**

(21) Appl. No.: **29/676,812**

(22) Filed: **Jan. 15, 2019**

(51) **LOC (12) Cl.** **09-09**

(52) **U.S. Cl.**
USPC **D34/6**

(58) **Field of Classification Search**

USPC D34/4, 5, 6, 7, 10, 11, 12, 13, 14;
D6/330, 335, 601, 582, 686; D29/121.1
CPC B65F 1/16; B65F 1/1607; B65F 1/1615;
B65F 1/004; B65F 2003/003; B65D
21/0209; B65D 88/121; B65D 43/02;
Y10S 220/908

See application file for complete search history.

7,753,322 B1 7/2010 Peterson
8,267,358 B1 9/2012 Letson
8,740,274 B1 6/2014 Dugas
D713,697 S 9/2014 Prazen
2004/0195467 A1 10/2004 Passage
2009/0114778 A1* 5/2009 Payne B65B 67/1233
248/95
2009/0230258 A1* 9/2009 McFadden B65B 67/1233
248/101
2012/0091174 A1 4/2012 Breeze

FOREIGN PATENT DOCUMENTS

GB 2337976 10/2002

* cited by examiner

Primary Examiner — Kevin K Rudzinski

Assistant Examiner — Tamara L Hahn

(57) **CLAIM**

I claim the ornamental design for a trash bag holder, as shown and described.

(56) **References Cited**

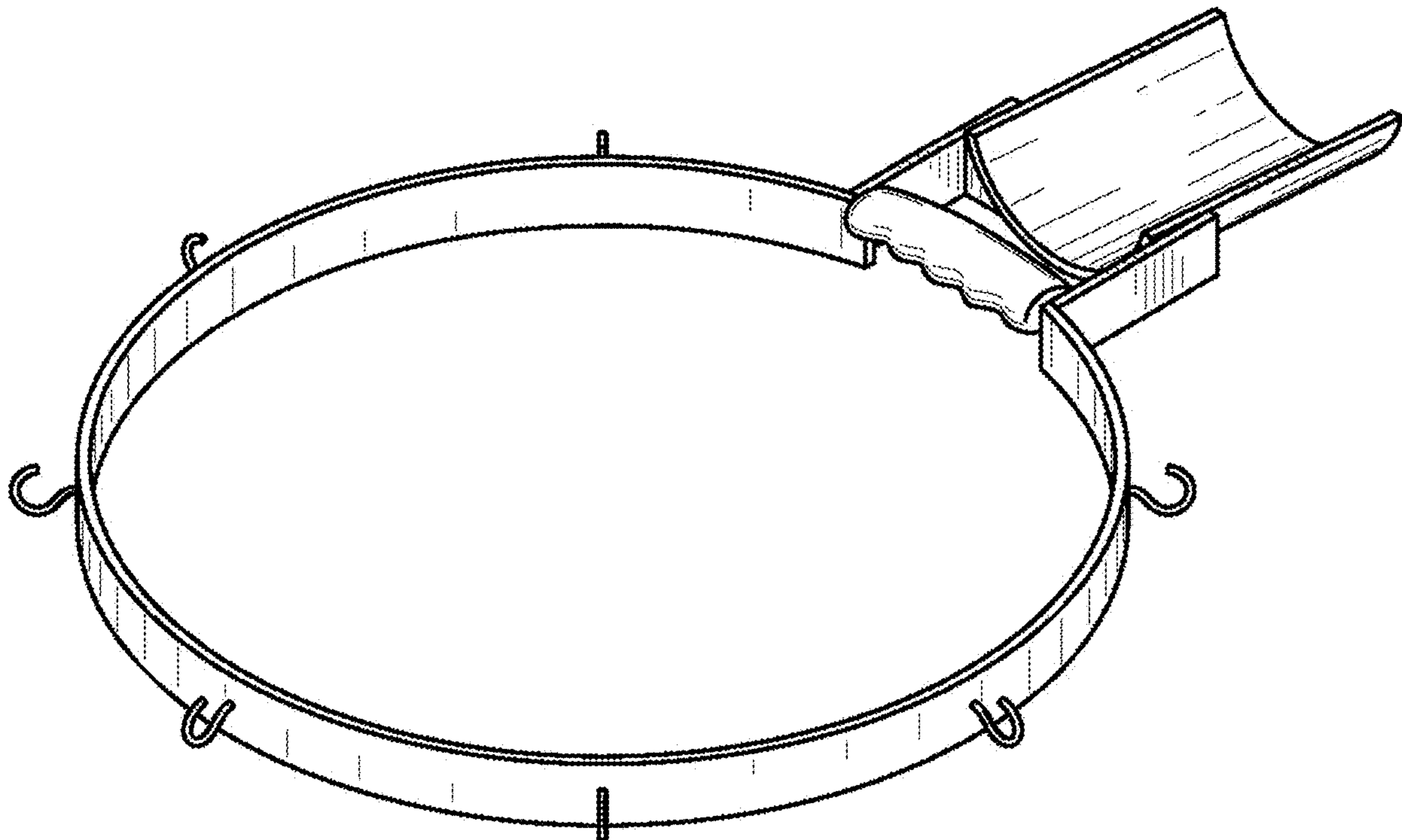
U.S. PATENT DOCUMENTS

4,822,087 A 4/1989 DeCarlo
4,919,546 A * 4/1990 Imazeki B65B 67/12
220/495.11
D326,752 S * 6/1992 Griggs D34/24
5,718,400 A 2/1998 Dwy
6,086,022 A * 7/2000 Dalton B65F 1/1415
248/101
6,199,802 B1 * 3/2001 Scheibe, Sr. B65F 1/1415
248/101

DESCRIPTION

FIG. 1 is a front view of the trash bag holder.
FIG. 2 is a rear view of the claimed design.
FIG. 3 is a right side view of the claimed design.
FIG. 4 is a left side view of the claimed design.
FIG. 5 is a top view of the claimed design.
FIG. 6 is a bottom view of the claimed design; and,
FIG. 7 is a perspective view of the claimed design.

1 Claim, 4 Drawing Sheets



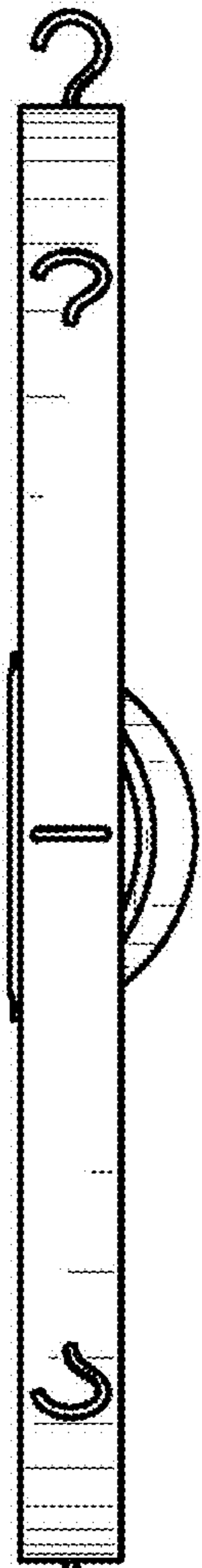


FIG. 1

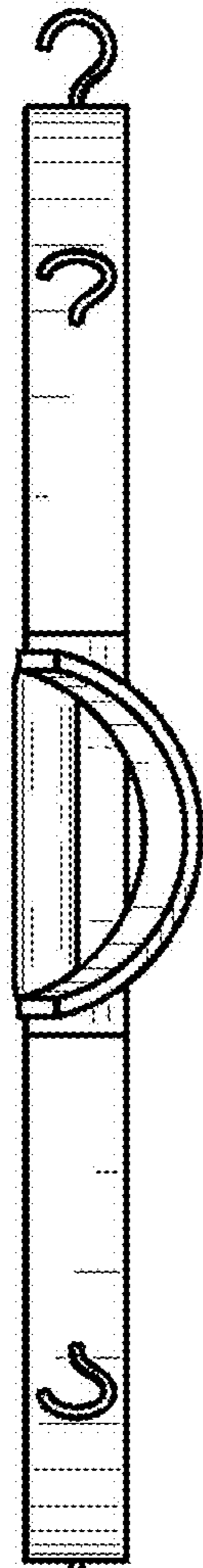


FIG. 2

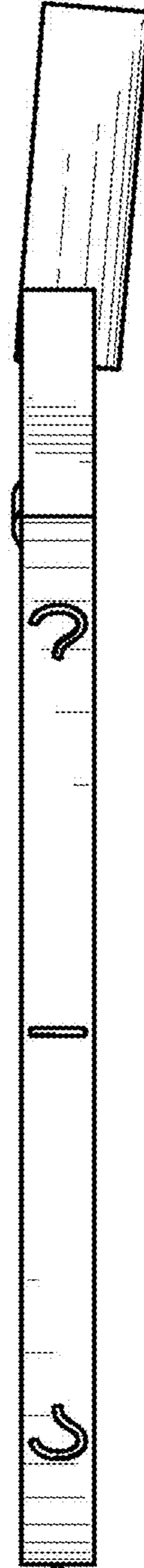


FIG. 3

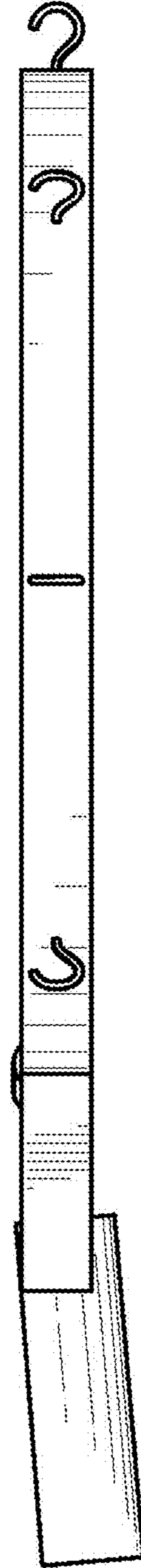


FIG. 4

FIG. 5

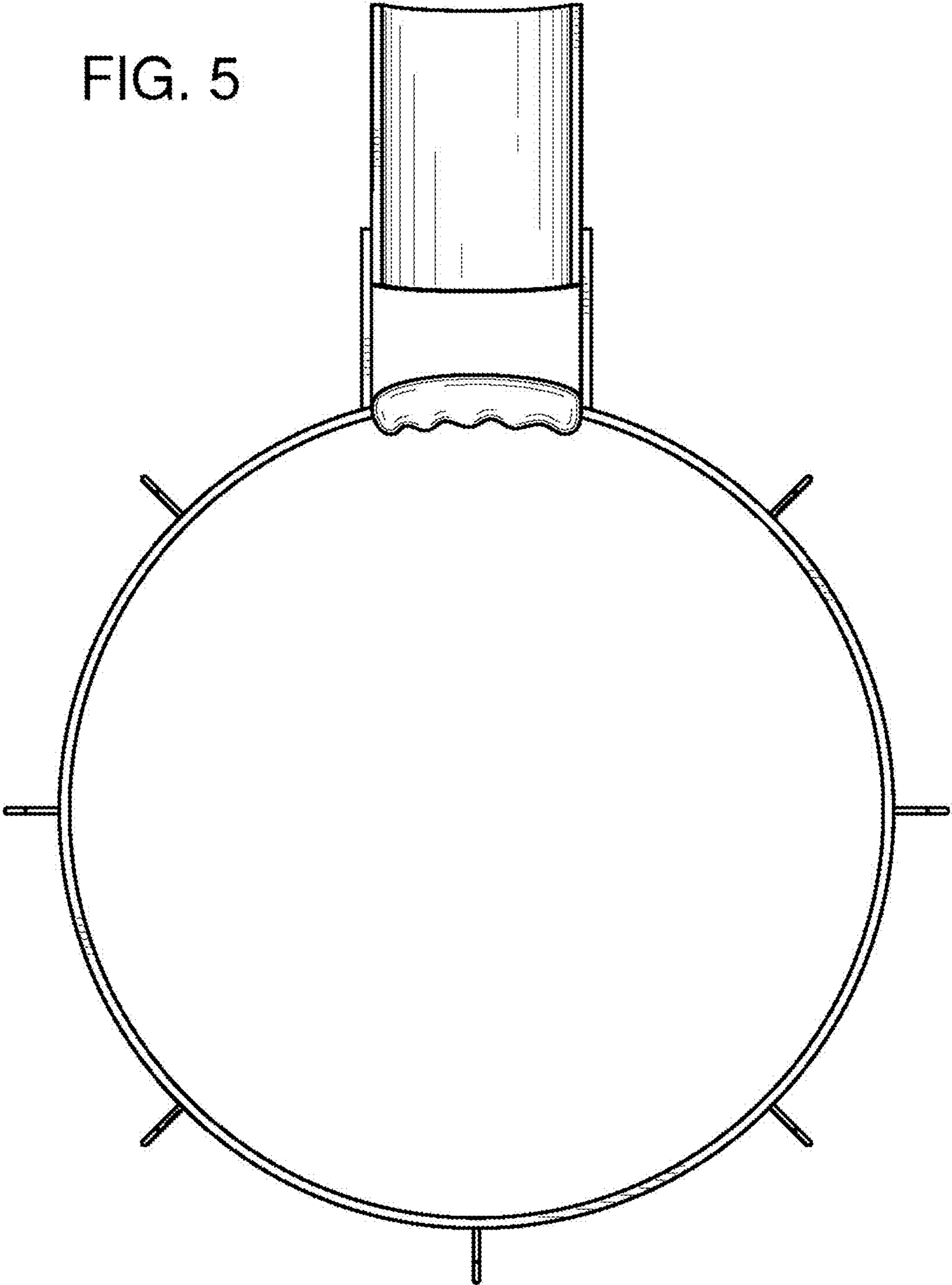


FIG. 6

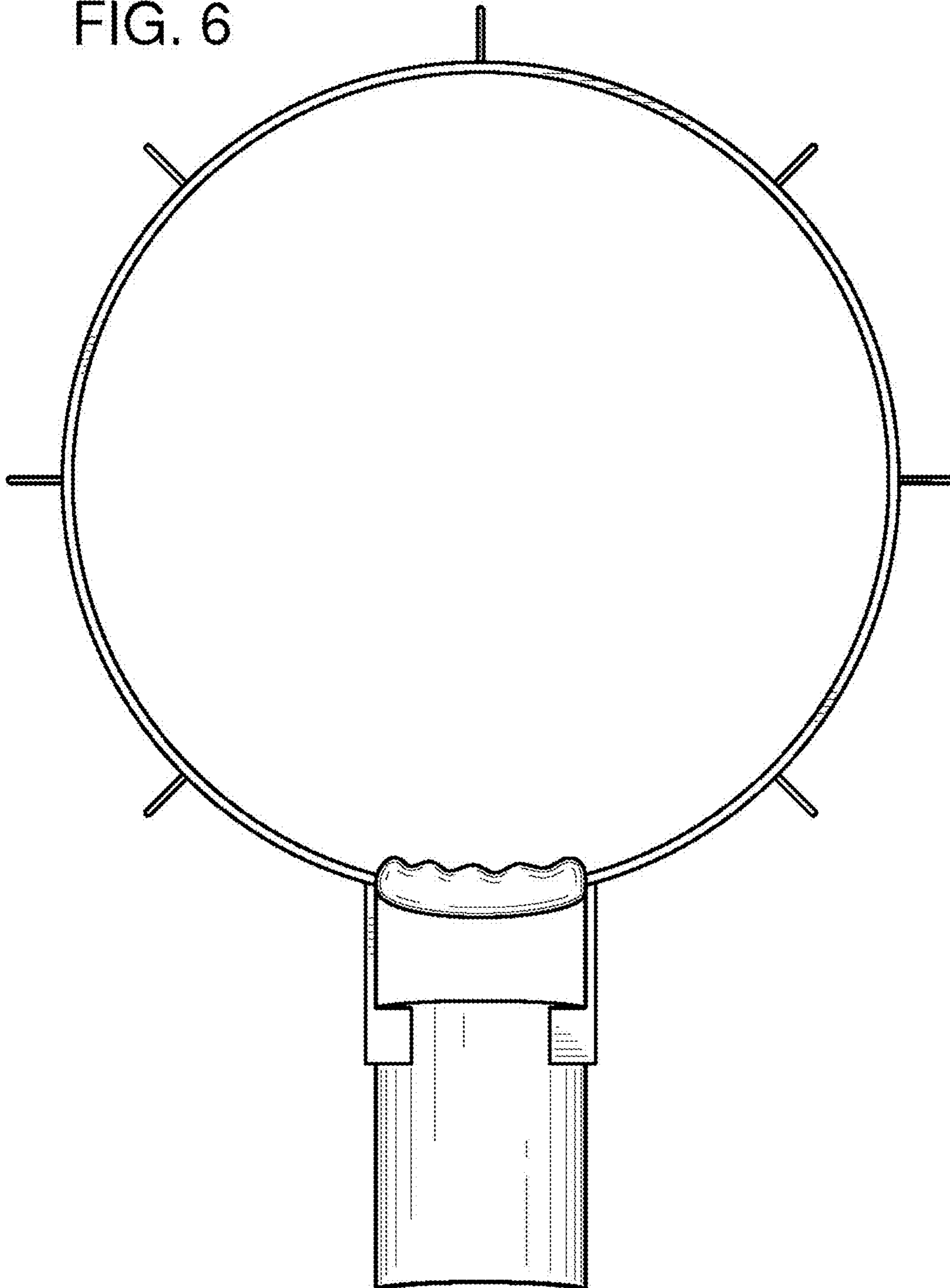


FIG. 7

