



US00D892421S

(12) **United States Design Patent** (10) **Patent No.:** **US D892,421 S**
Smith (45) **Date of Patent:** **** Aug. 4, 2020**

(54) **COMBINED CLOTHESLINE SUPPORT AND VOLLEY BALL POLE**

(71) Applicant: **Dale Smith**, Allen, MI (US)

(72) Inventor: **Dale Smith**, Allen, MI (US)

(**) Term: **15 Years**

(21) Appl. No.: **29/709,622**

(22) Filed: **Oct. 16, 2019**

(51) **LOC (12) Cl.** **07-05**

(52) **U.S. Cl.**
USPC **D32/60**

(58) **Field of Classification Search**
USPC .. D6/315, 681, 681.1, 681.3, 512, 547-549;
D32/58-60; D3/5
CPC A63B 61/02; A63B 61/006; D06F 57/04;
D06F 55/00; D06F 53/04; D06F 53/00
See application file for complete search history.

(56) **References Cited**

U.S. PATENT DOCUMENTS

523,912 A	7/1894	Hopkins	
945,793 A	1/1910	Monk	
1,599,071 A	9/1926	Warren	
2,464,575 A	3/1949	Henry	
2,900,088 A *	8/1959	Clini	D06F 57/04 211/197
3,013,654 A *	12/1961	Hoff	D06F 55/00 206/343
3,224,722 A *	12/1965	Flick	D06F 53/04 248/353
3,529,823 A	9/1970	Garver	
3,540,111 A	11/1970	Wainwright	
3,794,322 A *	2/1974	Rosekrans, Jr.	473/466
3,940,139 A *	2/1976	Barnes	A63B 61/006 473/494
4,213,597 A *	7/1980	Rayner	D06F 53/00 211/119.02

5,449,075 A *	9/1995	Meade	D06F 57/04 211/167
5,779,202 A	7/1998	Black et al.	
6,068,233 A	5/2000	Green	
7,909,051 B2 *	3/2011	Victory	D06F 57/04 135/119
D722,488 S	2/2015	Lockwood et al.	
D762,877 S *	8/2016	Charette	D25/126
D839,643 S	2/2019	De Jesus	

(Continued)

Primary Examiner — Michelle E. Wilson

(74) *Attorney, Agent, or Firm* — Suzanne Kikel, Patent Agent

(57) **CLAIM**

The ornamental design for a combined clothesline support and volley ball pole, as shown and described.

DESCRIPTION

FIG. 1 is a front perspective view of the combined clothesline support and volley ball pole with the cross pole in a horizontal position for use as a clothesline, showing my new design;

FIG. 2 is a front elevational view thereof;

FIG. 3 is a rear elevational view thereof;

FIG. 4 is a left side elevational view thereof;

FIG. 5 is a right-side elevational view thereof;

FIG. 6 is a top plan view thereof;

FIG. 7 is a bottom plan view thereof;

FIG. 8 is a front elevational view of the combined clothesline support and volley ball pole with the cross pole rotated and in a vertical position for use as a volley ball pole;

FIG. 9 is a rear elevational view thereof;

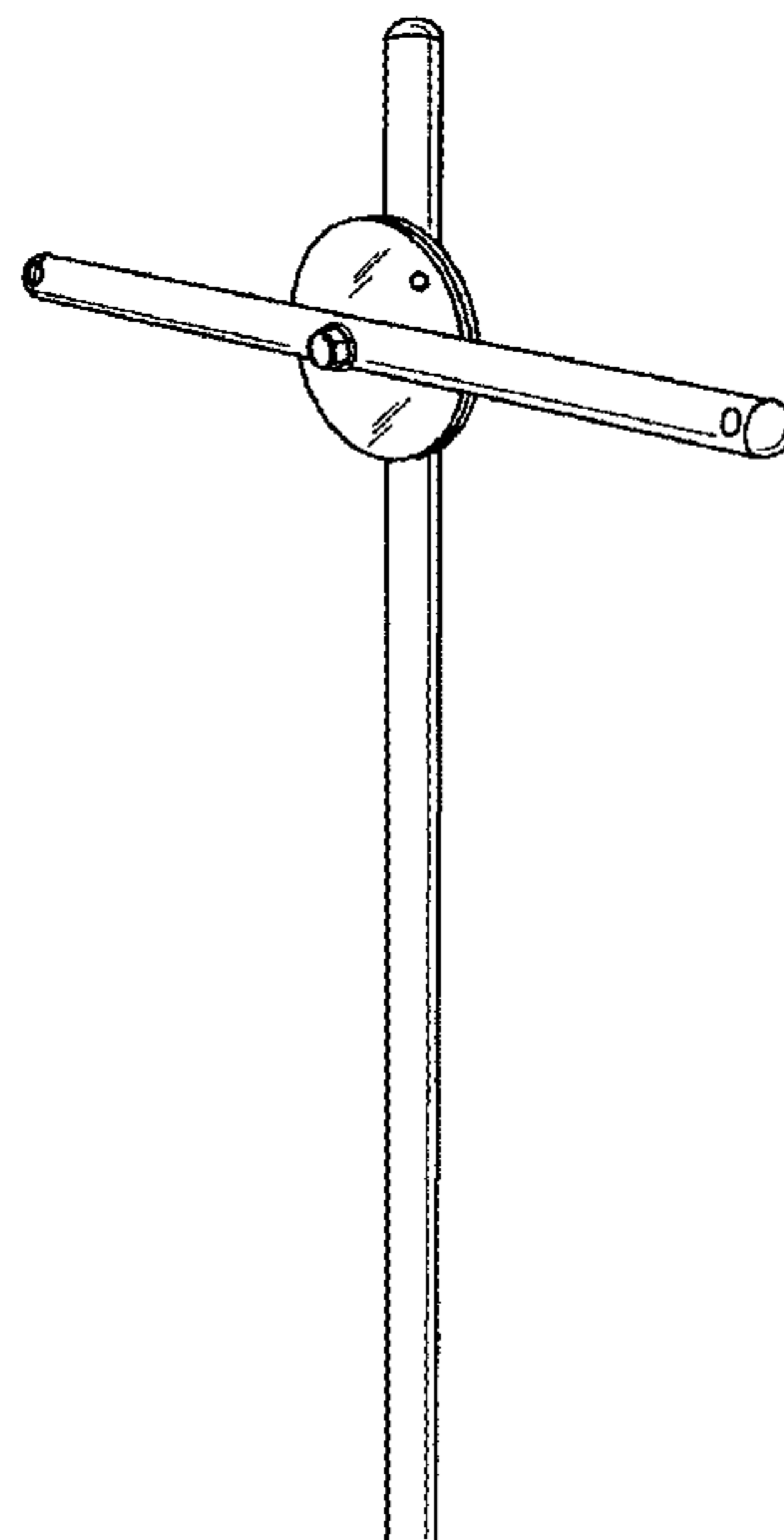
FIG. 10 is a left side elevational view thereof;

FIG. 11 is a right-side elevational view thereof;

FIG. 12 is a top plan view thereof; and,

FIG. 13 is a bottom plan view thereof.

1 Claim, 8 Drawing Sheets



(56)

References Cited

U.S. PATENT DOCUMENTS

D841,921 S * 2/2019 De Jesus D32/60
2013/0185970 A1 7/2013 Oliver et al.

* cited by examiner

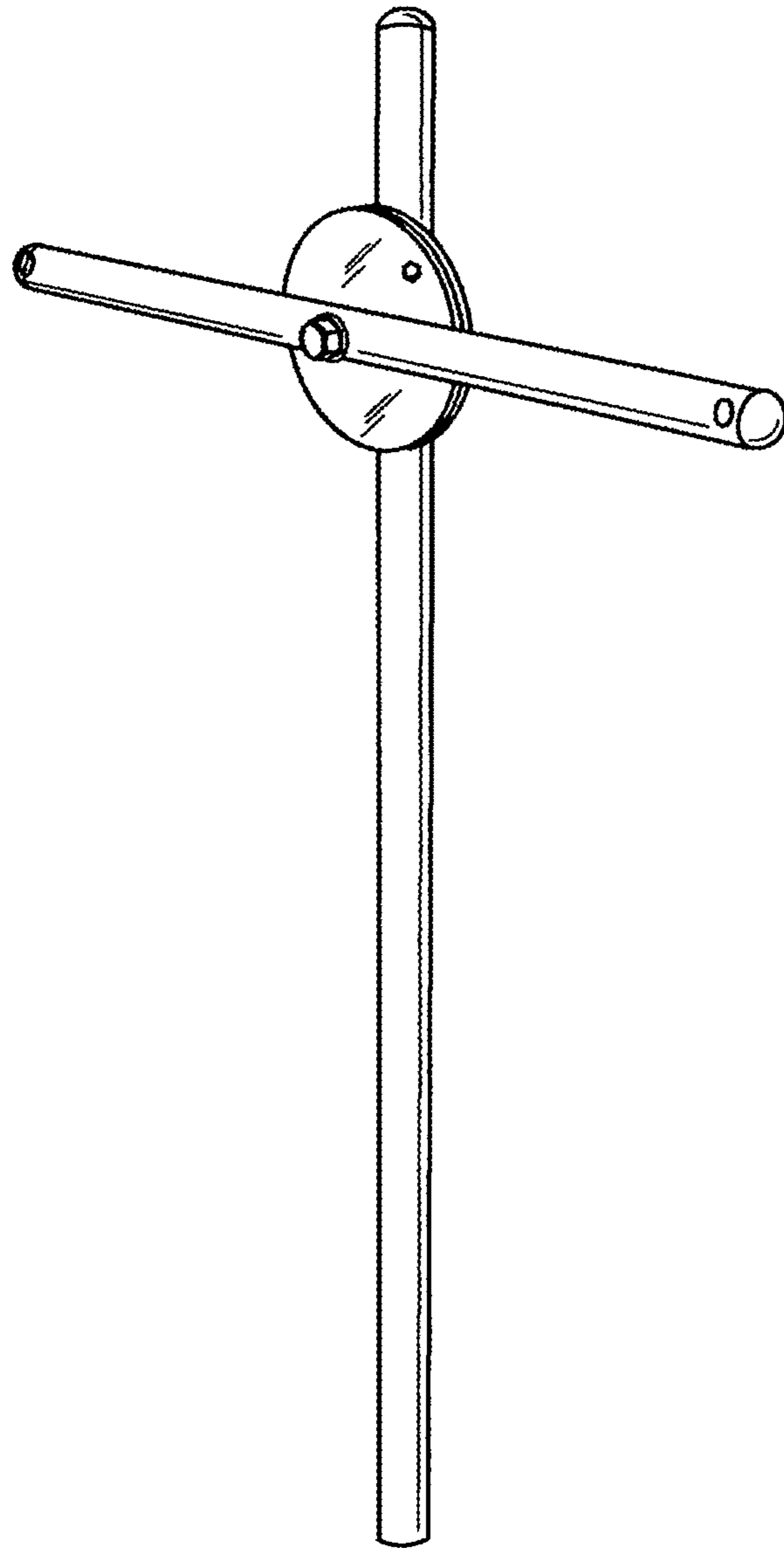


FIG. 1

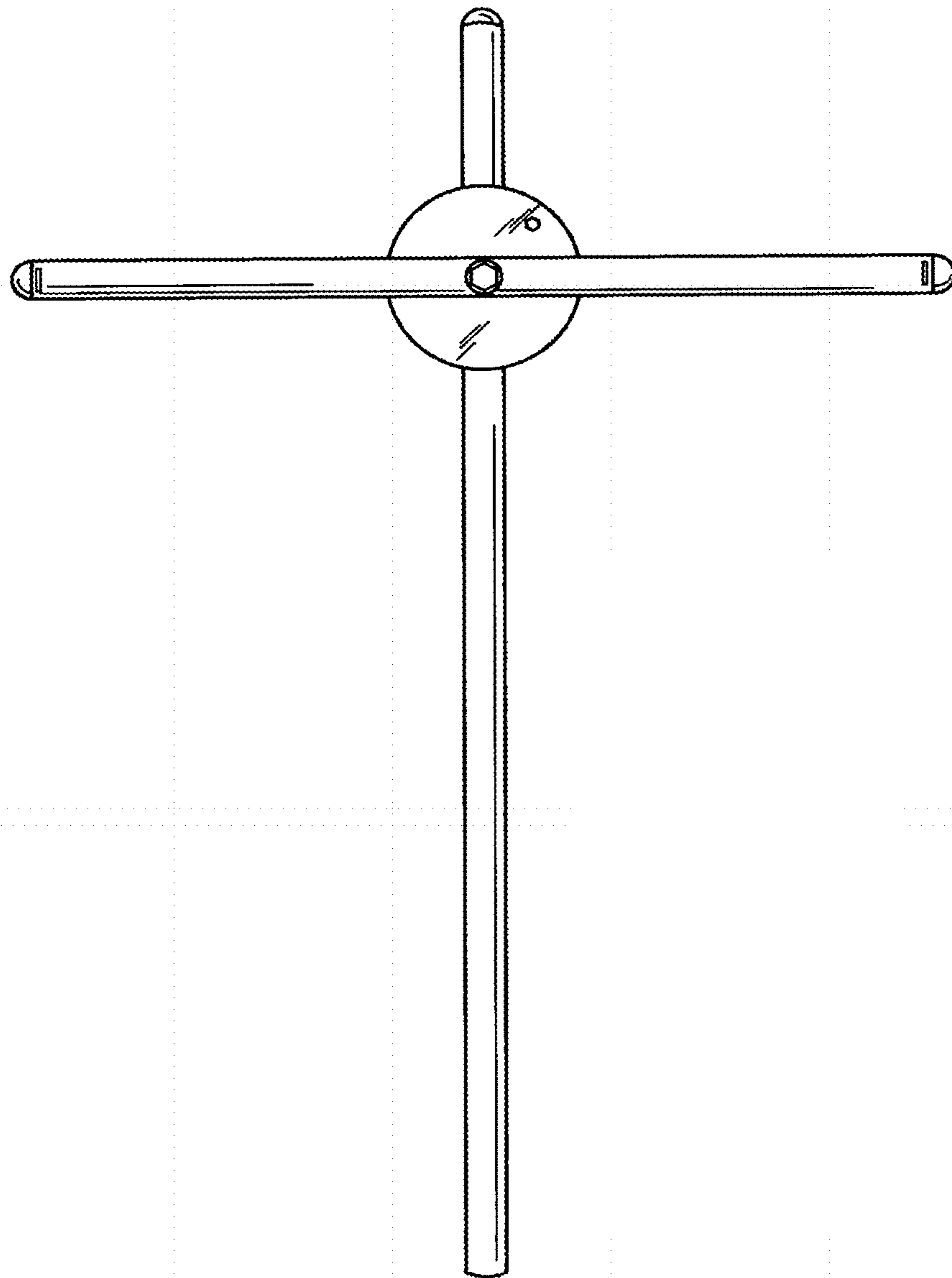


FIG. 2

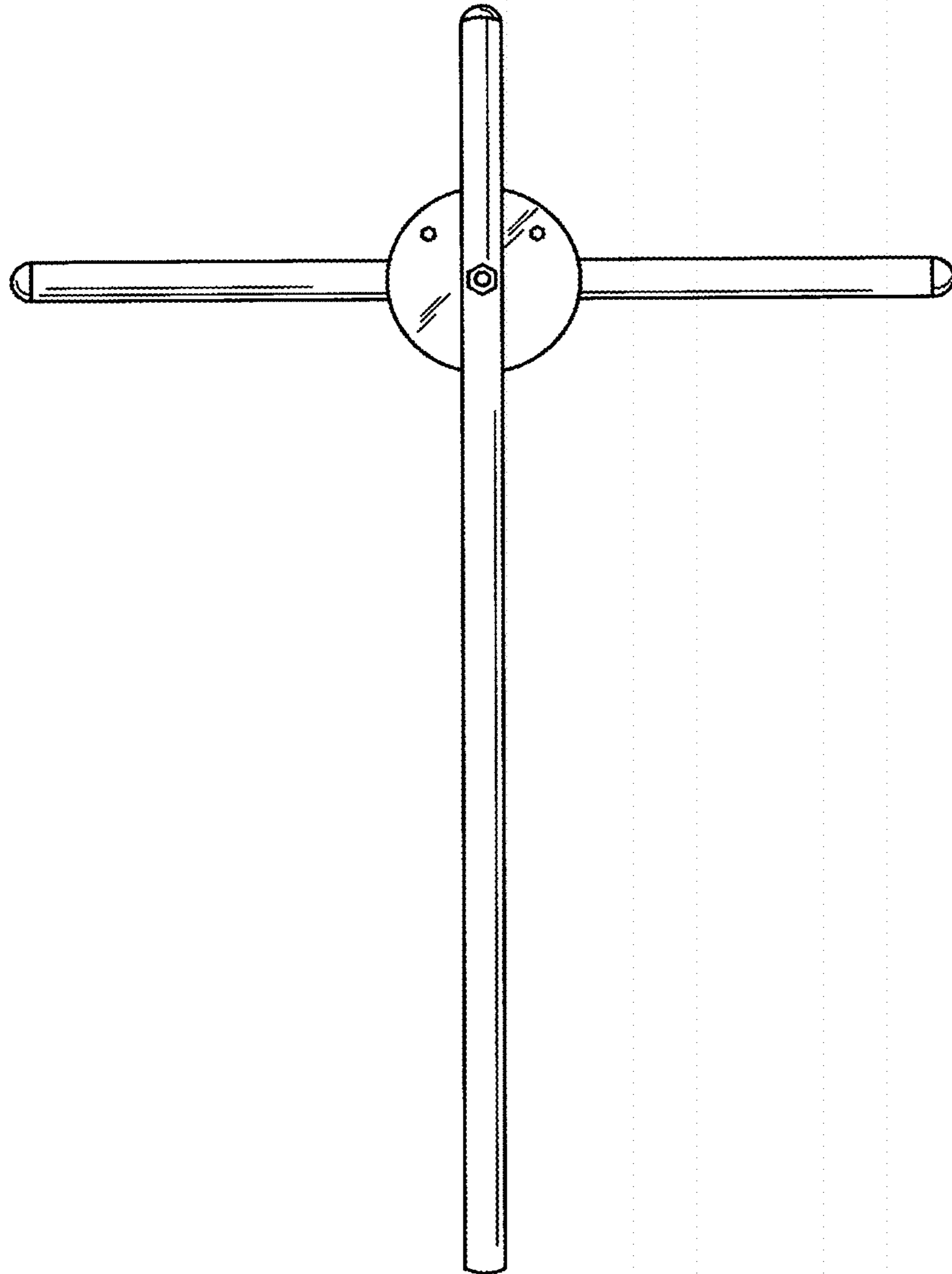


FIG. 3

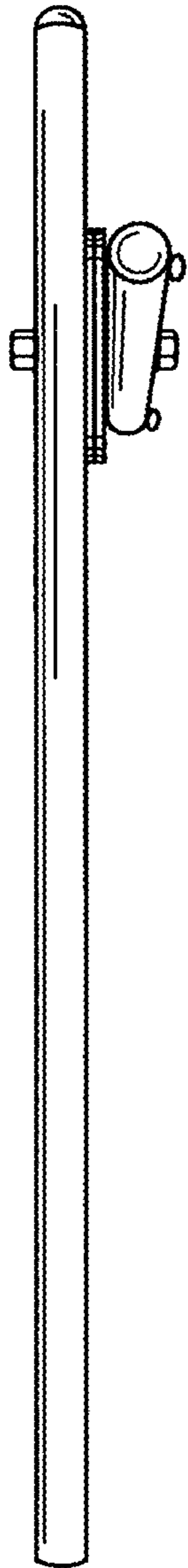


FIG. 4

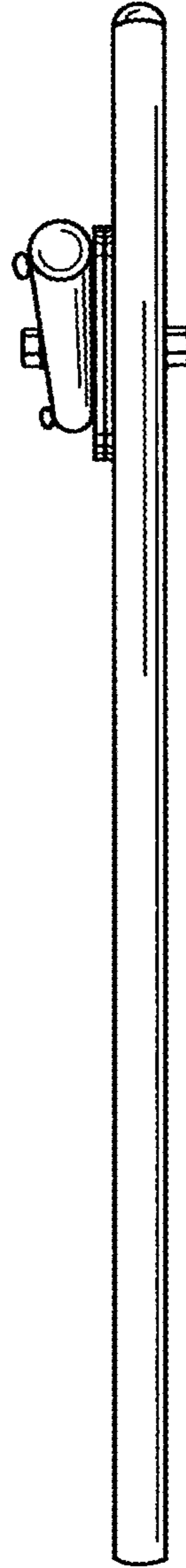


FIG. 5

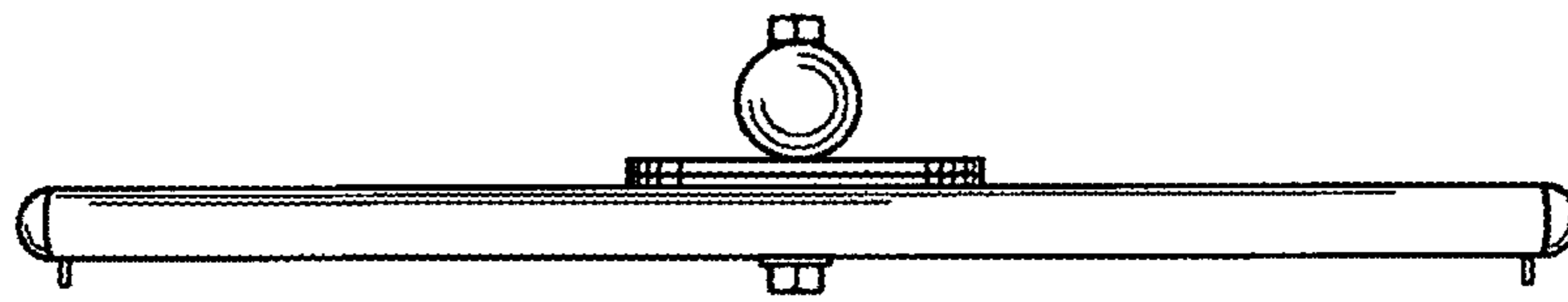


FIG. 6

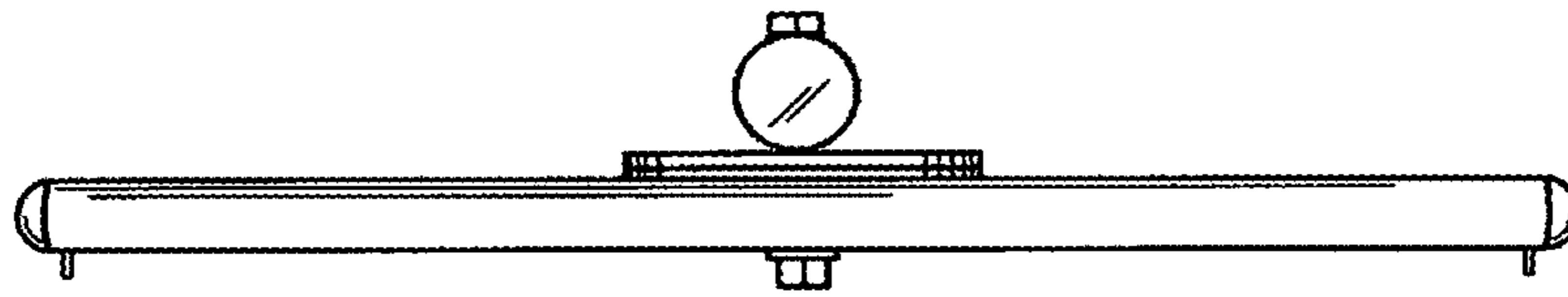


FIG. 7

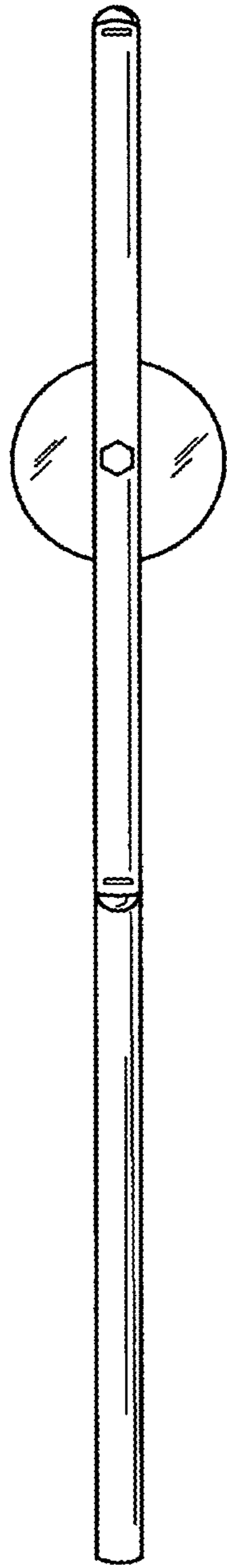


FIG. 8

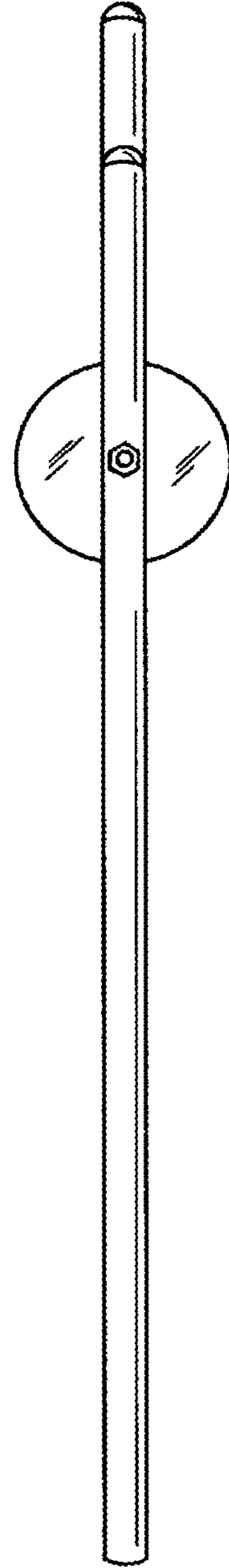


FIG. 9

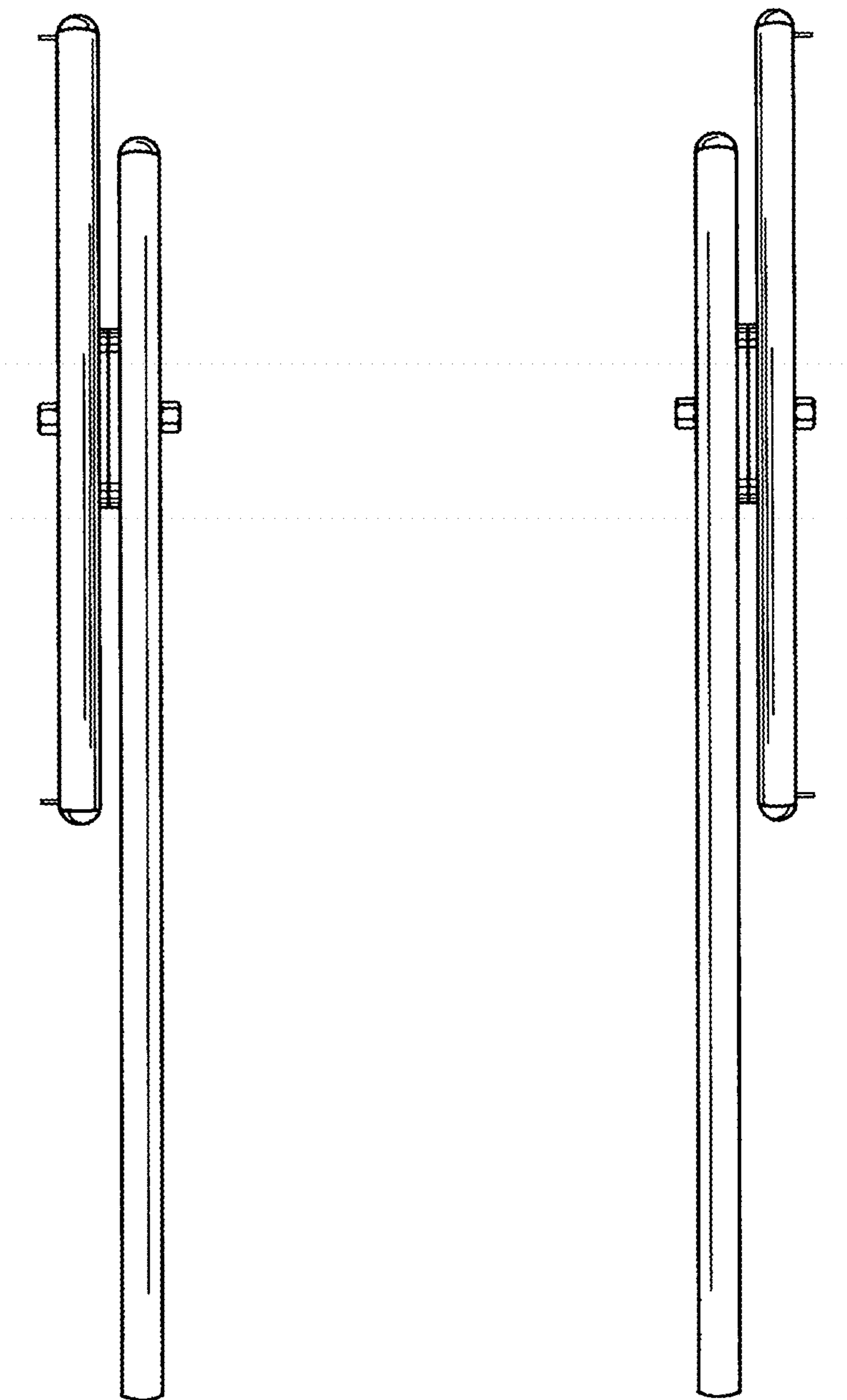


FIG. 10

FIG. 11

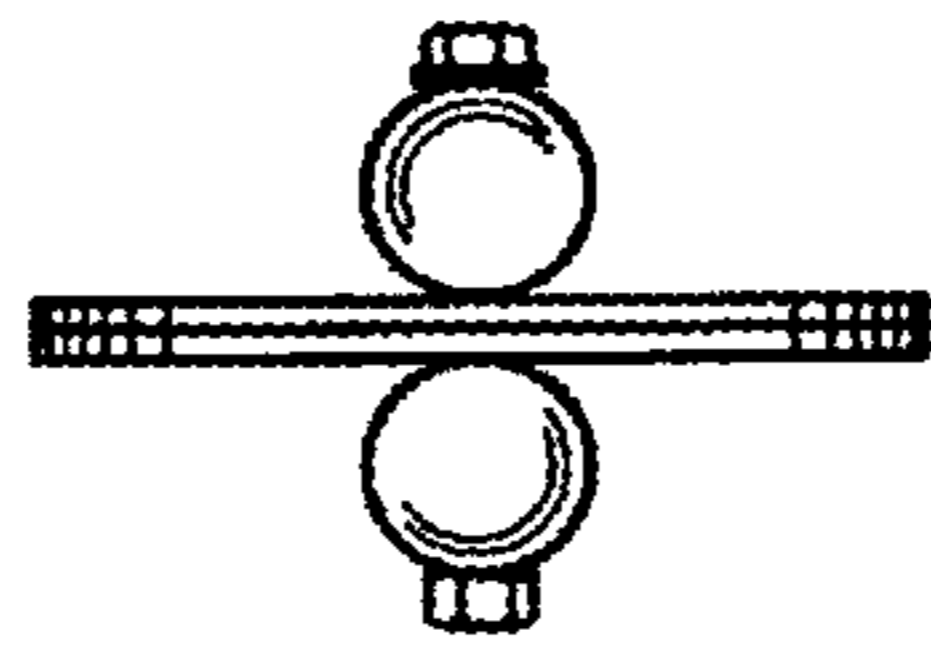


FIG. 12

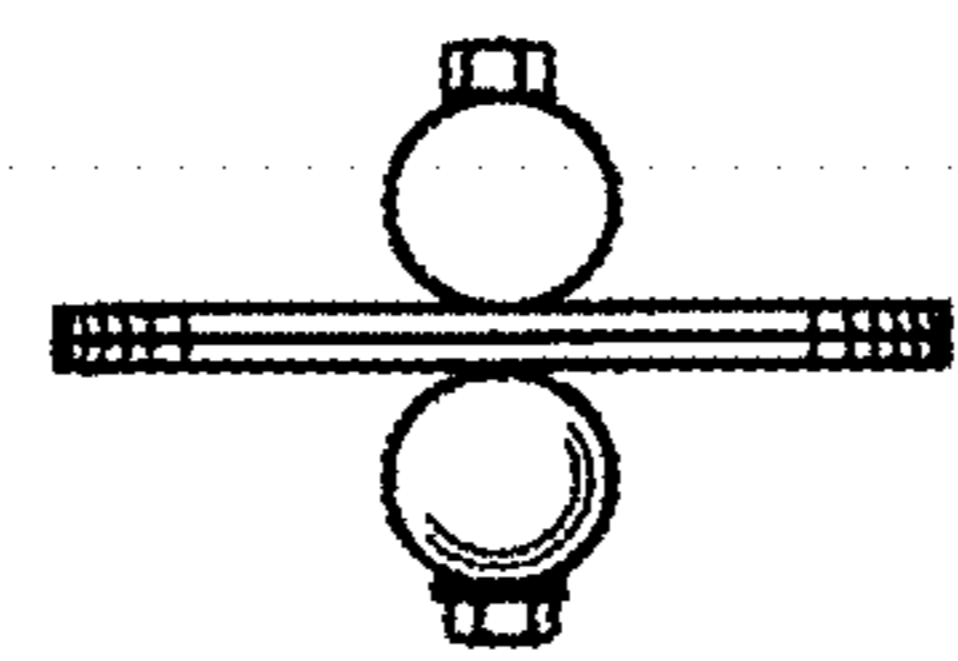


FIG. 13