



US00D892420S

(12) **United States Design Patent** (10) **Patent No.:** **US D892,420 S**
Niedzwecki et al. (45) **Date of Patent:** **** Aug. 4, 2020**

(54) **ADJUSTABLE WAND FOR A VACUUM CLEANER**

(71) Applicant: **SharkNinja Operating, LLC,**
Needham, MA (US)

(72) Inventors: **Scott Niedzwecki,** East Walpole, MA (US); **Junghwan Chei,** Chestnut Hill, MA (US); **Owen R. Johnson,** Needham, MA (US); **Catriona C.A. Sutter,** Brookline, MA (US); **Lee Cottrell,** Newton, MA (US)

(73) Assignee: **SharkNinja Operating LLC,**
Needham, MA (US)

(**) Term: **15 Years**

(21) Appl. No.: **29/658,924**

(22) Filed: **Aug. 3, 2018**

(51) **LOC (12) Cl.** **15-05**

(52) **U.S. Cl.**
USPC **D32/31**

(58) **Field of Classification Search**
USPC D32/17-18, 22, 30, 31-34; D8/61-62, D8/66; 15/302, 321, 323, 363, 324, 329
CPC ... A47L 5/24; A47L 5/225; A47L 5/36; A47L 5/28; A47L 9/32; A47L 9/325; A47L 9/327; A47L 9/244
See application file for complete search history.

(56) **References Cited**

U.S. PATENT DOCUMENTS

- D348,548 S 7/1994 Pino
- D473,687 S 4/2003 Kaffenberger
- 6,695,352 B2 2/2004 Park et al.
- D524,498 S 7/2006 Luebbering et al.
- D566,356 S 4/2008 Medema
- D569,564 S 5/2008 Labarbera

- D594,612 S 6/2009 Umeda
- D597,268 S 7/2009 Santiago et al.
- D635,728 S 4/2011 Fjellman
- D668,010 S 9/2012 Stickney et al.
- D703,889 S * 4/2014 Shin D32/18
- D703,890 S * 4/2014 Shin D32/18
- D720,104 S 12/2014 Santiago et al.
- 9,027,198 B2 5/2015 Conrad
- D731,130 S 6/2015 Dyson et al.
- D731,134 S 6/2015 Dyson et al.
- D731,136 S 6/2015 Yun et al.
- D731,720 S 6/2015 Gidwell et al.
- D731,724 S 6/2015 Cheon et al.
- D738,584 S 9/2015 Niedzwecki
- D741,558 S 10/2015 Kerr
- D742,083 S 10/2015 Gidwell et al.
- D743,123 S 11/2015 Chu
- D745,231 S 12/2015 Niedzwecki
- D747,571 S 1/2016 Dyson
- D747,572 S 1/2016 Kerr
- D762,031 S 7/2016 Niedzwecki
- 9,451,853 B2 9/2016 Conrad et al.

(Continued)

Primary Examiner — Austin Murphy

(74) *Attorney, Agent, or Firm* — Grossman Tucker Perreault & Pfleger, PLLC

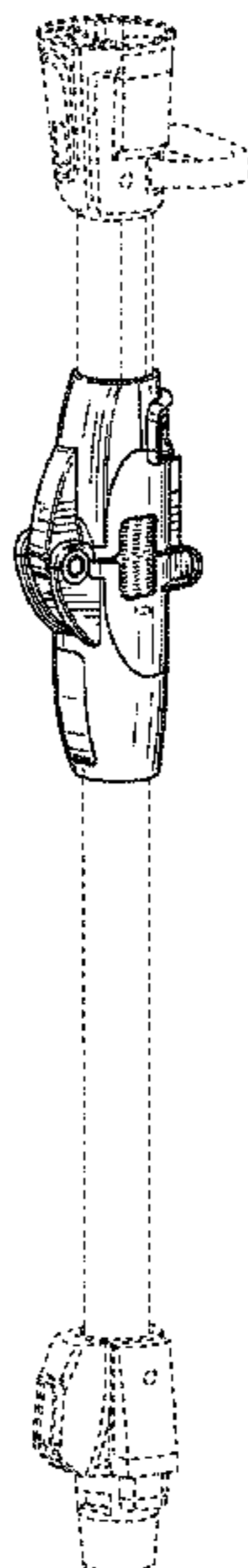
(57) **CLAIM**

The ornamental design for an adjustable wand for a vacuum cleaner, as shown and described.

DESCRIPTION

FIG. 1 is a right-side perspective view of an adjustable wand for a vacuum cleaner showing our new design; FIG. 2 is a front view thereof; FIG. 3 is a back view thereof; FIG. 4 is a left side view thereof; and, FIG. 5 is a right side view thereof. The broken lines are included for the purpose of illustrating the unclaimed portions of the article and form no part of the claim.

1 Claim, 3 Drawing Sheets



(56)

References Cited

U.S. PATENT DOCUMENTS

D770,111 S	10/2016	Lee et al.	D830,016 S	10/2018	Lim	
D771,890 S	11/2016	Kim	D830,017 S	10/2018	Nam et al.	
D772,510 S	11/2016	Palladino	2011/0314629 A1*	12/2011	Conrad	A47L 5/24 15/323
D772,512 S	11/2016	Yoon et al.	2013/0036573 A1*	2/2013	Ventress	A47L 9/0072 15/344
D774,260 S	12/2016	Manning	2014/0237754 A1*	8/2014	Conrad	A47L 5/225 15/328
D774,264 S	12/2016	Bartram et al.	2014/0237760 A1	8/2014	Conrad	
D775,772 S	1/2017	Lee et al.	2014/0245566 A1*	9/2014	Conrad	A47L 9/122 15/353
D779,751 S	2/2017	Chu	2014/0366286 A1*	12/2014	Zheng	A47L 9/2831 15/3
D779,752 S	2/2017	Johnson	2014/0366309 A1*	12/2014	Conrad	A47L 9/327 15/329
D781,014 S	3/2017	Wu et al.	2014/0366314 A1*	12/2014	Conrad	A47L 9/327 15/344
D788,393 S	5/2017	Canas et al.	2015/0000069 A1*	1/2015	Conrad	A47L 5/24 15/324
D792,665 S	7/2017	Salagnac	2015/0033498 A1*	2/2015	McVey	A47L 9/0477 15/363
D796,136 S	8/2017	Reynolds et al.	2015/0135474 A1*	5/2015	Gidwell	A47L 5/225 15/323
D798,009 S	9/2017	Salagnac	2016/0345795 A1*	12/2016	Manning	A47L 11/34
D799,767 S	10/2017	Palladino et al.				
9,883,781 B2	2/2018	Thorne et al.				
D814,723 S	4/2018	Palladino et al.				
D819,282 S	5/2018	Kim et al.				
D821,044 S	6/2018	Cao et al.				
D824,616 S	7/2018	Ward et al.				
D827,232 S	8/2018	Lim				
D827,955 S	9/2018	Palladino et al.				
10,080,471 B2	9/2018	Reimer et al.				

* cited by examiner

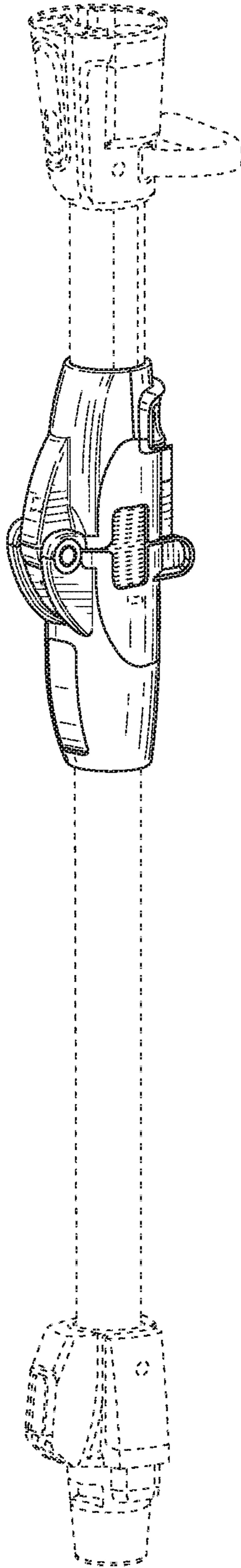


FIG. 1

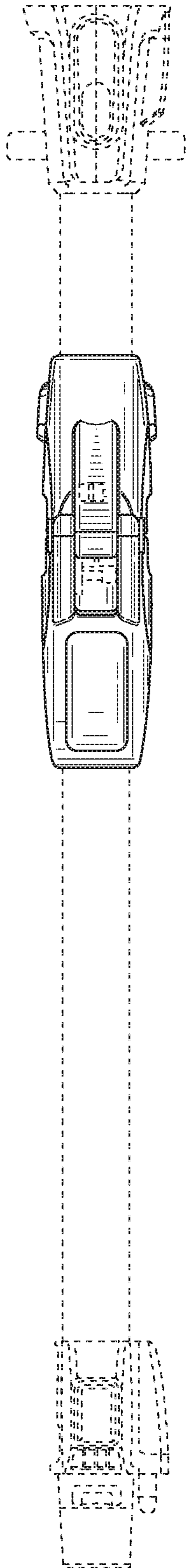


FIG. 2

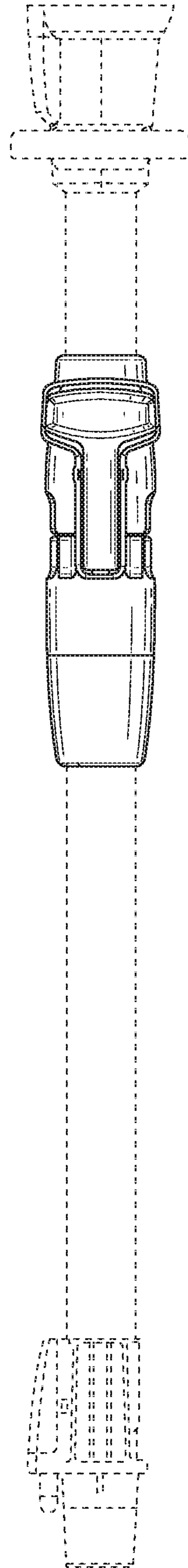


FIG. 3

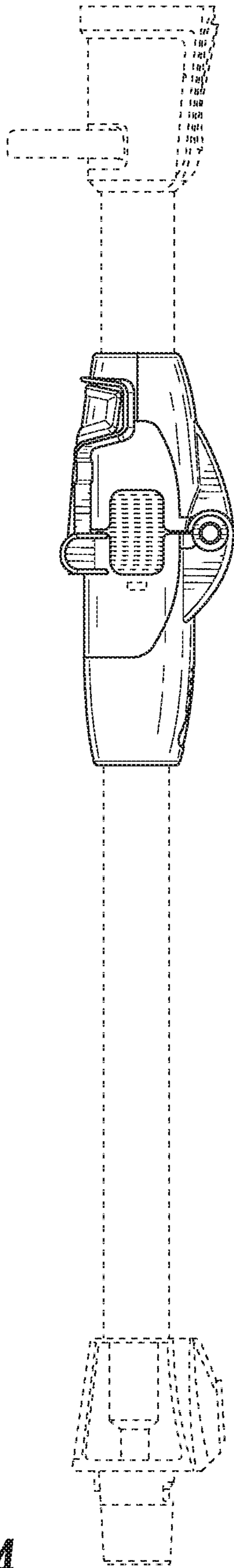


FIG. 4

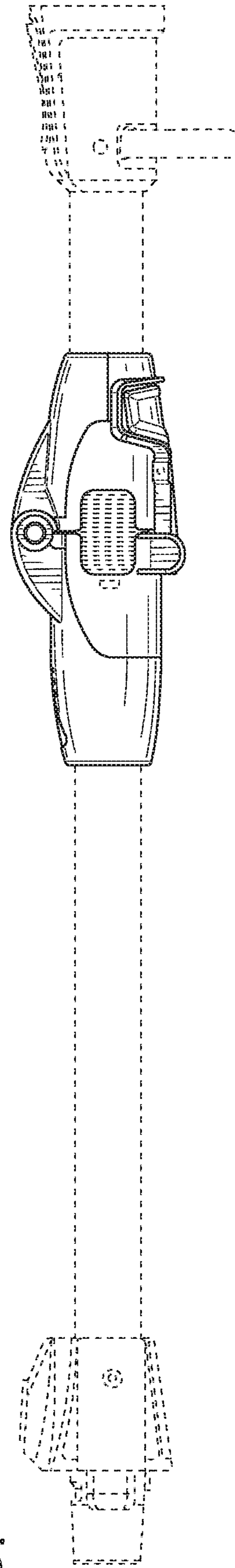


FIG. 5