



US00D892419S

(12) **United States Design Patent** (10) **Patent No.:** **US D892,419 S**
He (45) **Date of Patent:** **** Aug. 4, 2020**

(54) **AIR BLOWER**

(71) Applicant: **Yandong He**, Foshan (CN)

(72) Inventor: **Yandong He**, Foshan (CN)

(**) Term: **15 Years**

(21) Appl. No.: **29/730,978**

(22) Filed: **Apr. 10, 2020**

(30) **Foreign Application Priority Data**

Feb. 10, 2020 (CN) 2020 3 0048334

(51) **LOC (12) Cl.** **15-05**

(52) **U.S. Cl.**
USPC **D32/17**

(58) **Field of Classification Search**
USPC D32/15-17, 18, 22, 31; D23/213, 223,
D23/224, 225, 226
CPC ... A47L 5/24; A47L 5/362; A47L 5/36; A47L
5/28; A47L 9/102; A47L 9/1683; B01D
50/002
See application file for complete search history.

(56) **References Cited**

U.S. PATENT DOCUMENTS

D620,208 S *	7/2010	Mangano	D32/17
D620,651 S *	7/2010	Enervold	D32/17
D623,363 S *	9/2010	Ediger	D32/17
D648,495 S *	11/2011	Ediger	D32/17
D648,908 S *	11/2011	Ediger	D32/17
D656,693 S *	3/2012	Lavy	D32/17

D668,822 S	10/2012	Tinius	
D674,564 S *	1/2013	Mangano D32/17
D707,902 S *	6/2014	Mangano D32/17
D708,801 S *	7/2014	Israel D32/17
D716,007 S *	10/2014	Mangano D32/17
D746,004 S	12/2015	Murray et al.	
D836,861 S	12/2018	Tse et al.	
D844,263 S *	3/2019	Ediger D32/17
D869,107 S *	12/2019	Israel D32/17

* cited by examiner

Primary Examiner — Michelle E. Wilson

(74) *Attorney, Agent, or Firm* — HYIP

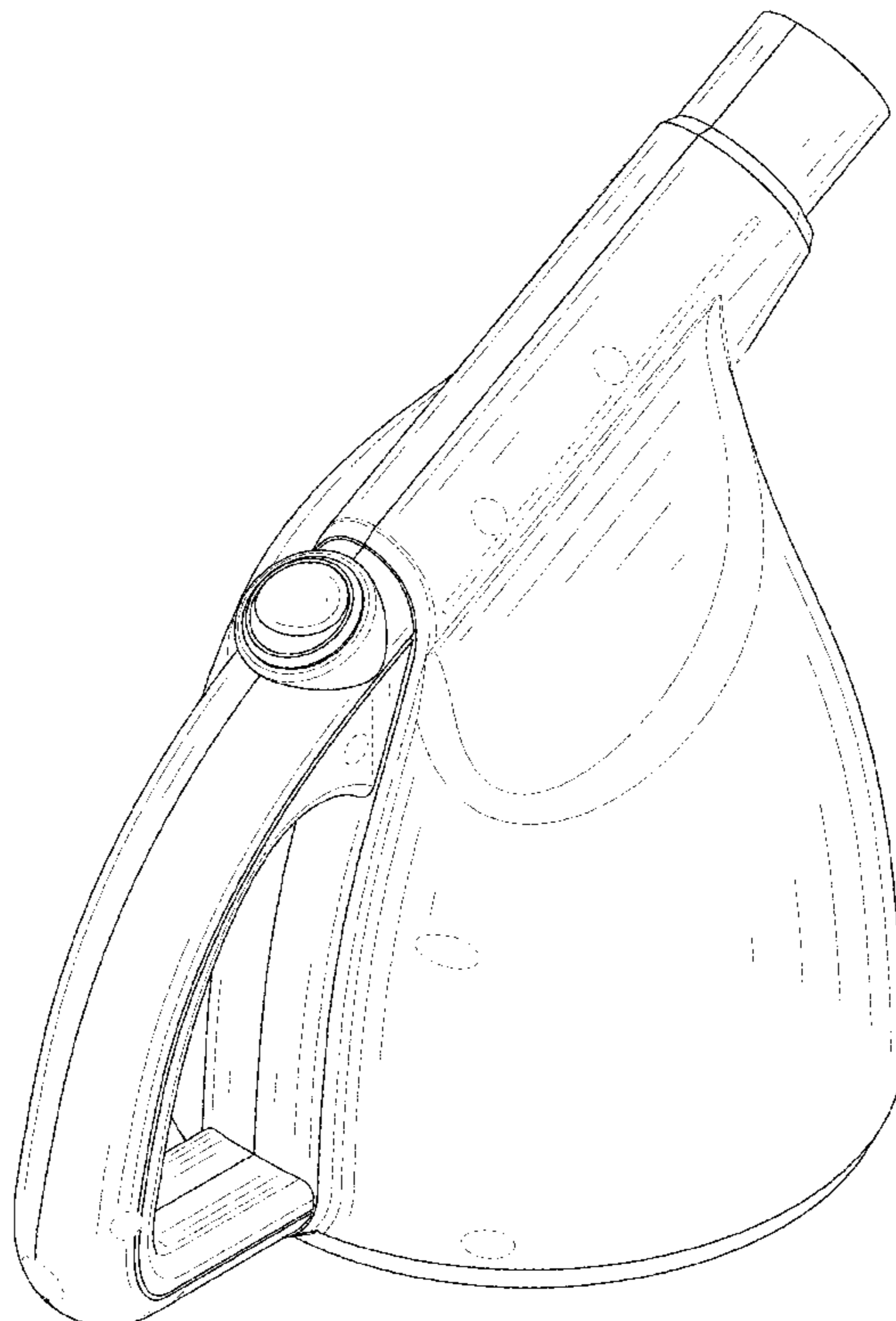
(57) **CLAIM**

The ornamental design for an air blower, as shown and described.

DESCRIPTION

FIG. 1 is a first perspective view of an air blower showing my new design;
FIG. 2 is a second perspective view thereof;
FIG. 3 is a front view thereof;
FIG. 4 is a back view thereof;
FIG. 5 is a left side view thereof;
FIG. 6 is a right side view thereof;
FIG. 7 is a top view thereof; and,
FIG. 8 is a bottom view thereof.
The broken lines shown in the drawings depict portions of the air blower in which the design is embodied that form no part of the claimed design.

1 Claim, 8 Drawing Sheets



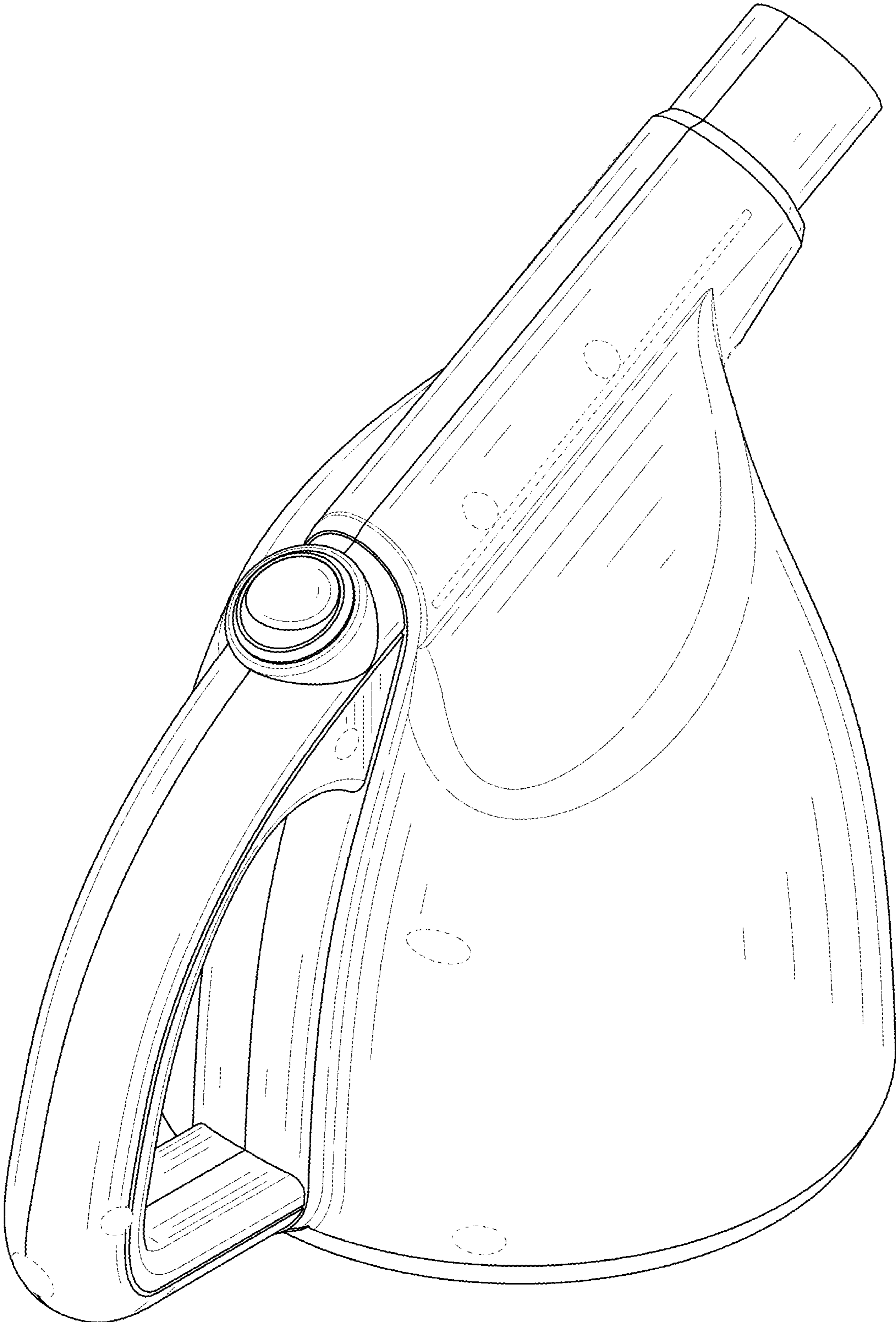


FIG. 1



FIG. 2

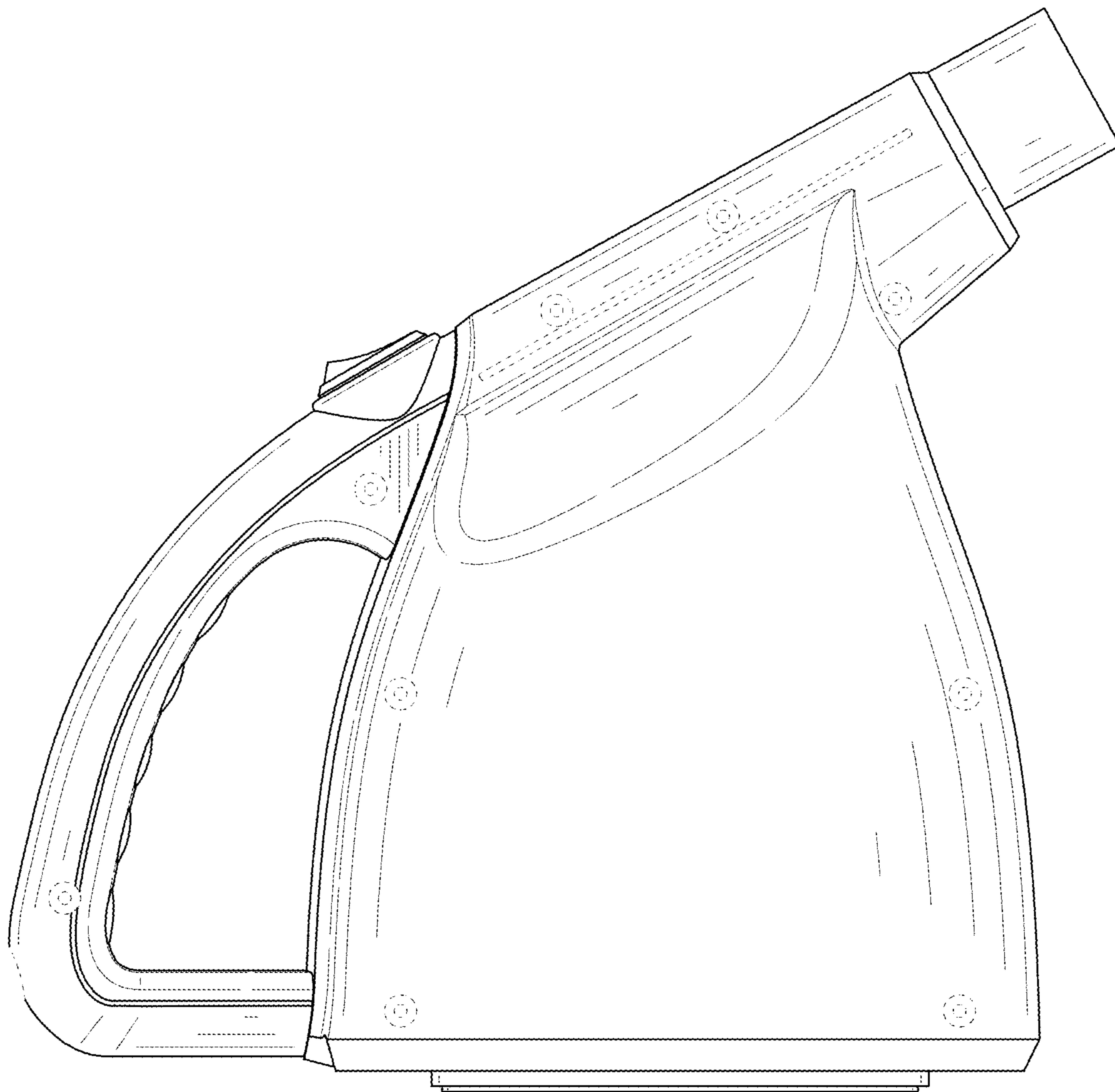


FIG. 3

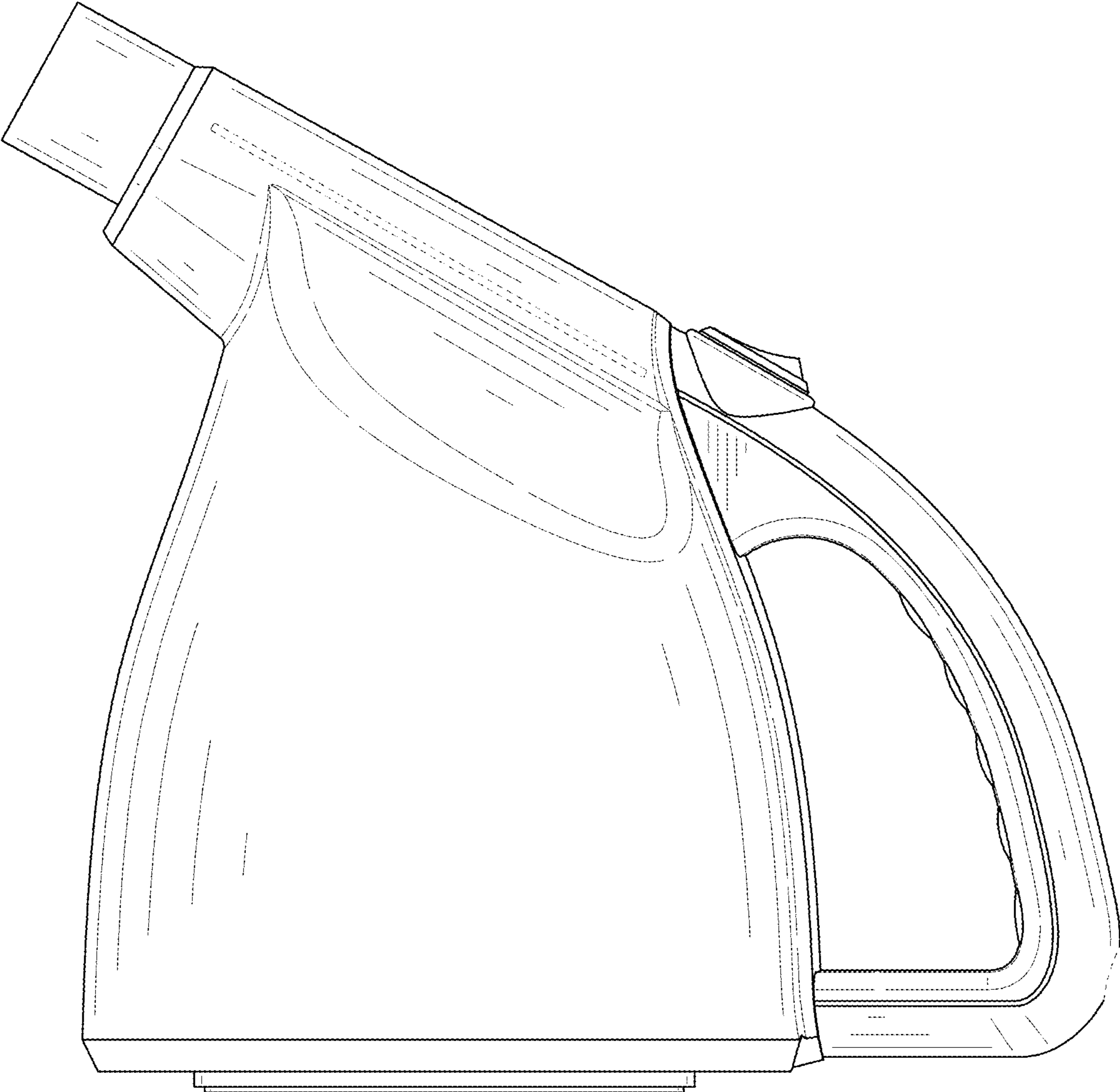


FIG. 4

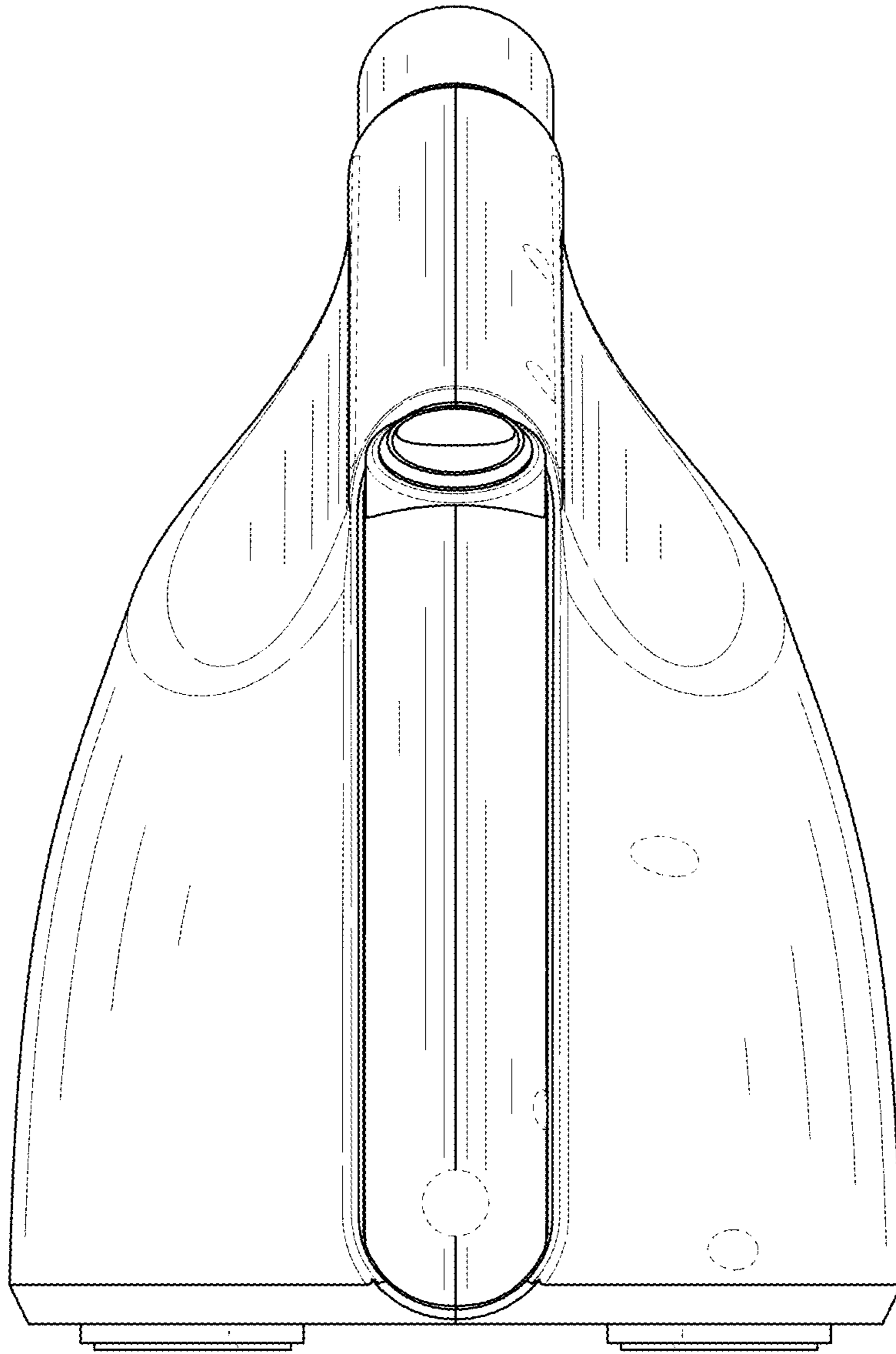


FIG. 5

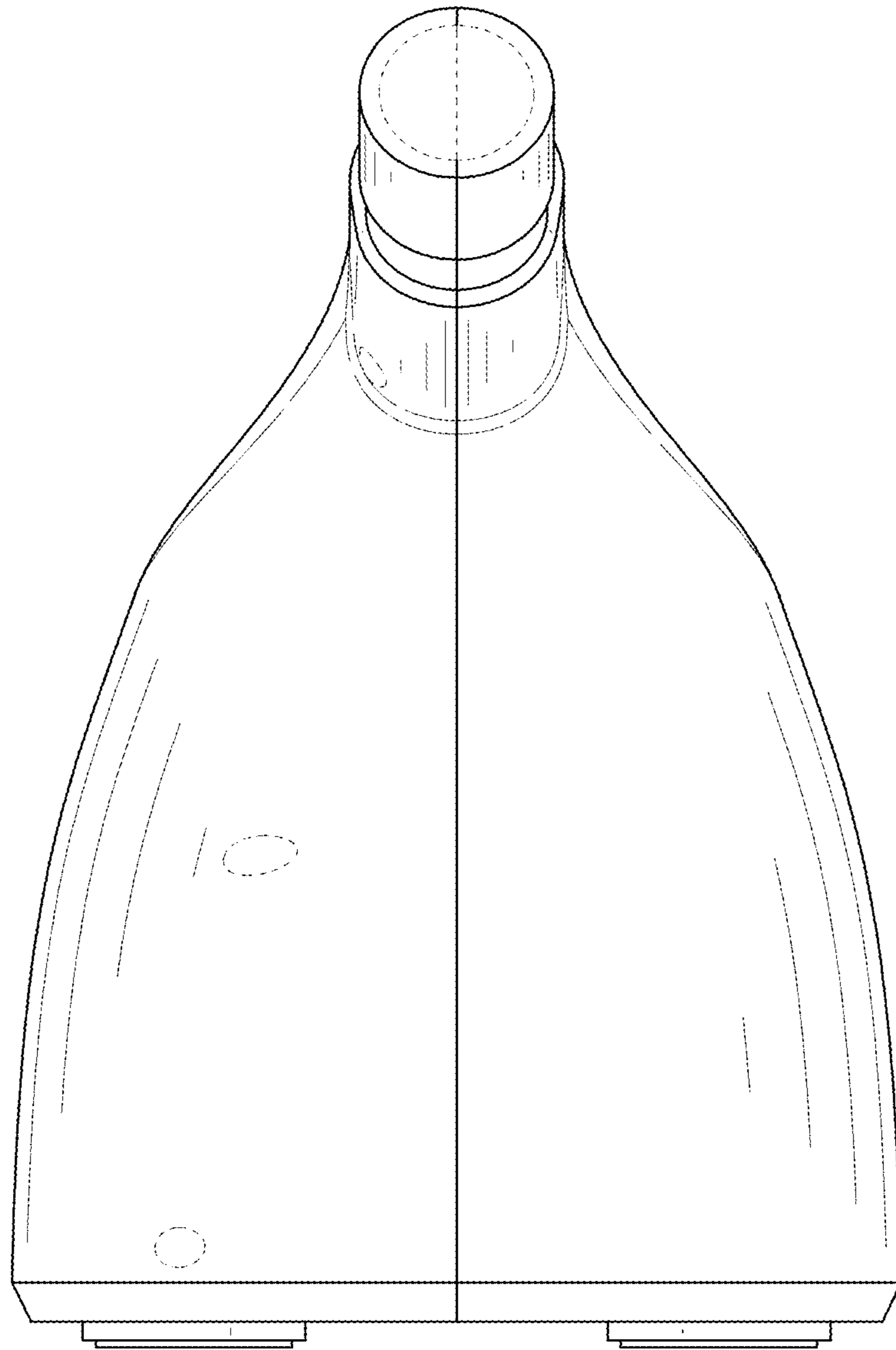


FIG. 6

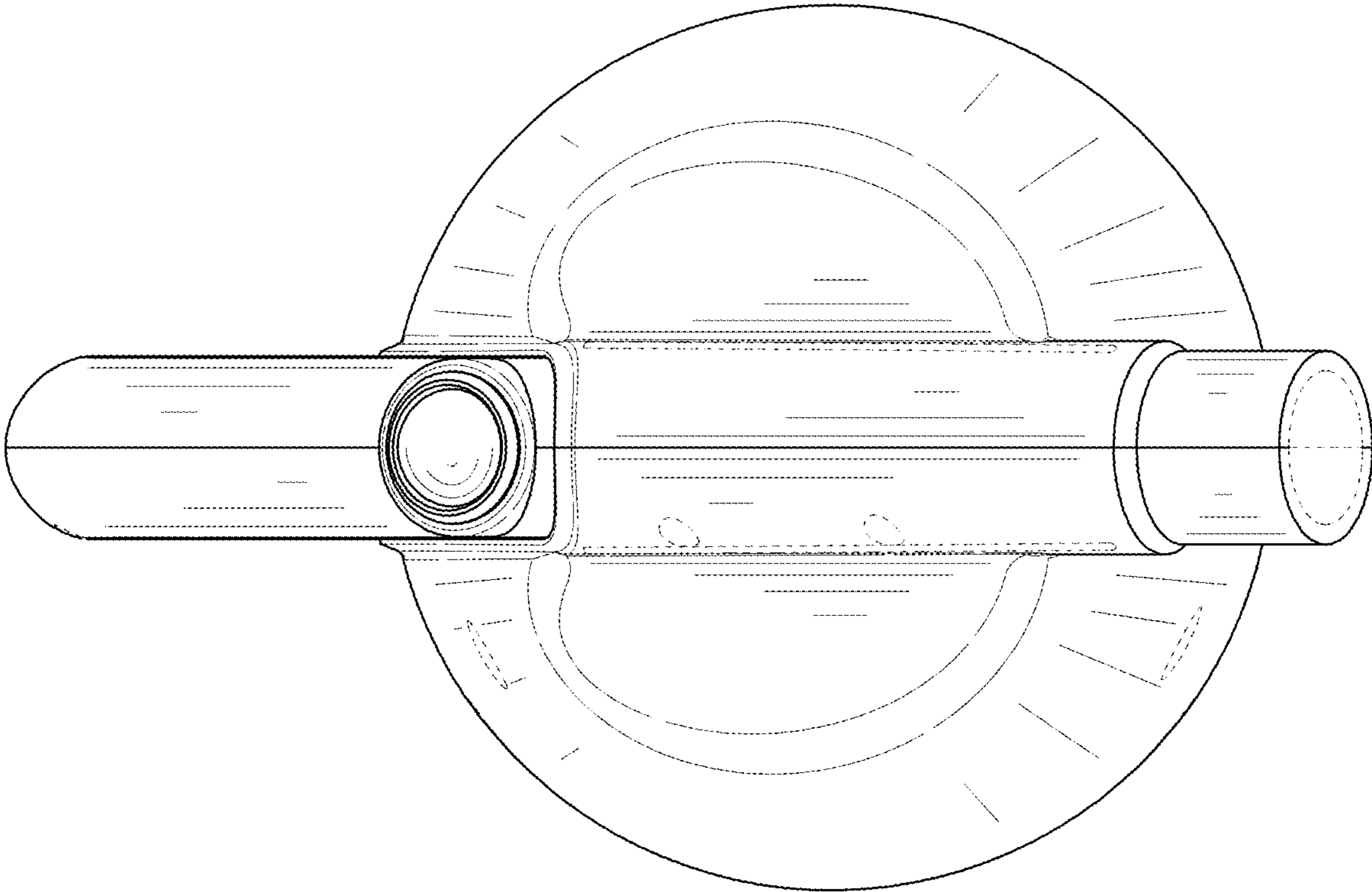


FIG. 7

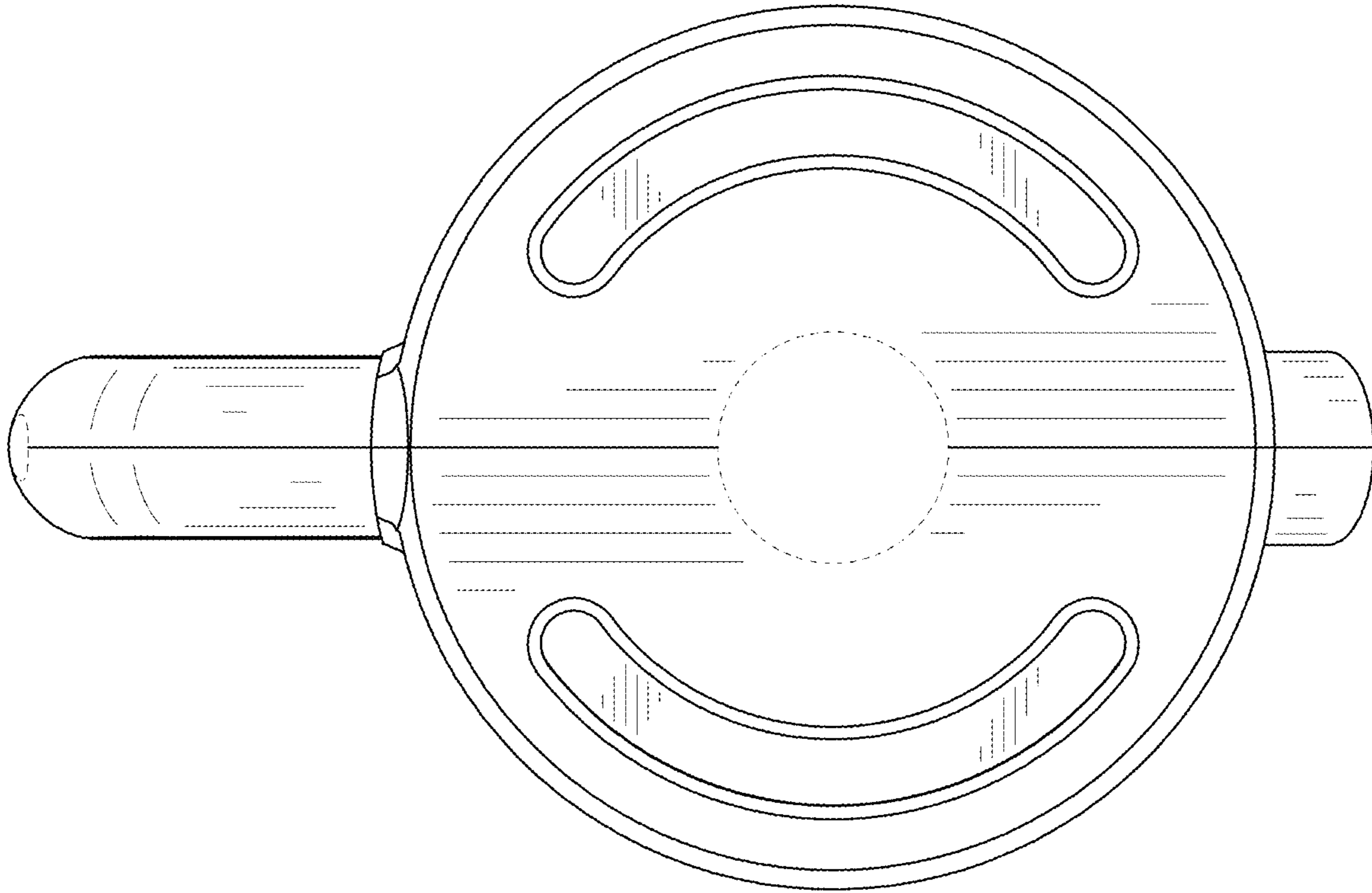


FIG. 8