



US00D892418S

(12) **United States Design Patent**
Schuetz et al.

(10) **Patent No.:** **US D892,418 S**

(45) **Date of Patent:** **** Aug. 4, 2020**

(54) **TRAILER MOUNTED PRESSURE WASHER**

(71) Applicant: **Northern Tool & Equipment Company, Inc.**, Burnsville, MN (US)

(72) Inventors: **John Schuetz**, Owatonna, MN (US);
Timothy Rancourt, Lakeville, MN (US); **Joseph DeGezelle**, Lakeville, MN (US); **Kyle Hecimovich**, Lonsdale, MN (US); **Nicholas Rancourt**, Minneapolis, MN (US)

(**) Term: **15 Years**

(21) Appl. No.: **29/642,391**

(22) Filed: **Mar. 29, 2018**

(51) **LOC (12) Cl.** **15-05**

(52) **U.S. Cl.**
USPC **D32/16**

(58) **Field of Classification Search**
USPC D32/15-19, 50-52, 43; D8/70; D15/33
CPC E04D 13/0765; A01G 20/47; A47L 11/30;
A47L 11/4066; A47L 11/4002; A47L
11/4011
See application file for complete search history.

(56) **References Cited**

U.S. PATENT DOCUMENTS

3,263,865	A	8/1966	Kachnik	
D223,039	S *	2/1972	Widmer	D15/7
D233,545	S *	11/1974	Johns	D32/16
D253,951	S *	1/1980	Waters	D32/1
5,002,325	A	3/1991	Fought	
5,299,767	A *	4/1994	Simpson	B05B 15/00 239/175
5,704,989	A *	1/1998	Page	A47L 11/34 134/10
D467,692	S *	12/2002	Morgan	D32/15
D473,494	S	4/2003	Lieberman	
6,715,195	B2	4/2004	Erickson	

D532,942	S *	11/2006	Busschaert	D32/15
7,300,073	B2	11/2007	Bachman	
D570,058	S *	5/2008	Watson	D32/1
D633,263	S *	2/2011	Fay	D32/15
D634,083	S *	3/2011	Fay	D32/15
D639,001	S *	5/2011	Alexander	D32/15
D726,382	S *	4/2015	Taylor	D32/15
D732,764	S *	6/2015	Kennard	D32/15

(Continued)

FOREIGN PATENT DOCUMENTS

AU	201812028	1/2018
AU	201812030	1/2018

(Continued)

OTHER PUBLICATIONS

“<https://northerntool.com/images/downloads/manuals/157567.pdf>”.

(Continued)

Primary Examiner — Michelle E. Wilson

(57) **CLAIM**

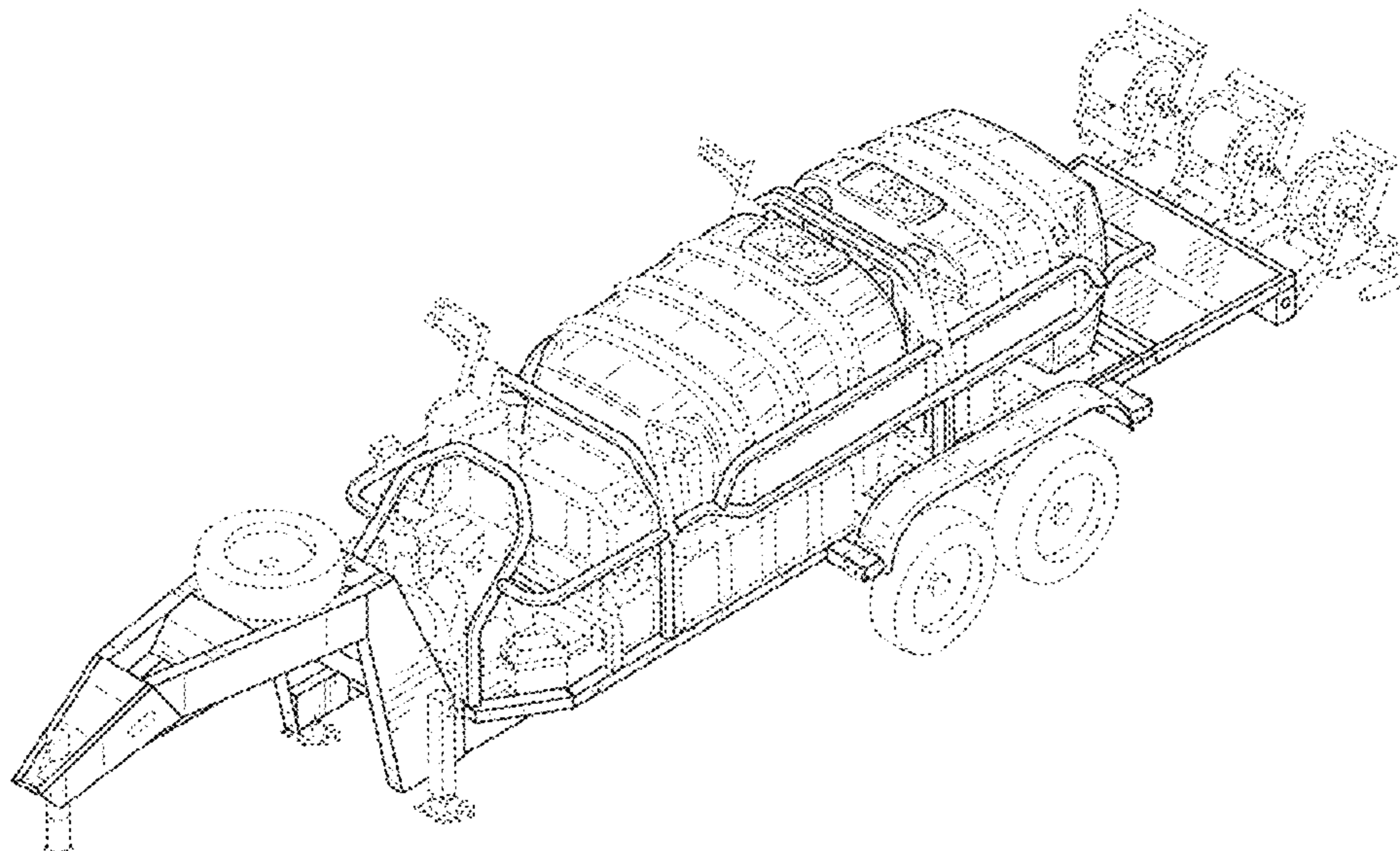
The ornamental design for a trailer mounted pressure washer, as shown and described.

DESCRIPTION

FIG. 1 is a front right perspective view of our design for a trailer mounted pressure washer embodiment of our design; FIG. 2 is a rear left perspective view thereof; FIG. 3 is a front elevational view thereof; FIG. 4 is a rear elevational view thereof; FIG. 5 is a left side elevational view thereof; FIG. 6 is a right side elevational view thereof; FIG. 7 is a top plan view thereof; and, FIG. 8 is a bottom plan view thereof.

The broken lines in the drawings illustrate portions of the trailer mounted pressure washer that form no part of the claimed design.

1 Claim, 8 Drawing Sheets



(56)

References Cited

U.S. PATENT DOCUMENTS

D824,612	S	*	7/2018	Alexander	D32/16
D824,613	S	*	7/2018	Alexander	D32/16
D834,269	S	*	11/2018	Masters	D32/15
2006/0102745	A1	*	5/2006	Dexter	B05B 9/0855 239/146

FOREIGN PATENT DOCUMENTS

AU			201812032			1/2018
AU			201812033	M		1/2018
AU			201812037			1/2018
CL			2018Q01044	W		3/2018
CL			2018001036	W		3/2018
CL			2018001037	W		3/2018
CL			2018001040	W		3/2018
CL			2018001041	W		3/2018
CL			2018001044	W		3/2018
CL			2016001032	W		4/2018
CL			2018001033	W		4/2018
CL			2018001034	W		4/2018
CL			2018001035	W		4/2018
CL			2018001039	W		4/2018
CL			2018001042	W		4/2018
CL			2018001043	W		4/2018

OTHER PUBLICATIONS

“Letter by Goytia & Associates regarding Office Action/Notification of Examination Report for Chilean Patent Application No. 2018-01038, said letter dated Jun. 14, 2019, and interpreting the report dated Apr. 20, 2018 issued by Chilean PTO.”
 “<https://www.youtube.com/watch?v=fdhbvrFpYU0>.”
 “<http://web.archive.org/web/20170903074431/https://ramteg.com/en/custom-trailers-photos>.”
 “https://www.amazon.com/db/001EQK3L2/ref=psdc_5743826011_t3_B01EQKJOB0 (Apr. 24, 2016).”
 “http://www.amazon.com/dp/B01EQK3L2/ref=psdc_5743826011_t1_601E9XTFWC (Apr. 24, 2016).”

“Remarks letter by Applicant.”

With respect to the above referenced application, Applicant believes that the link <https://northerntool.com/images/downloads/manuals/157567.pdf> was published by Applicant on or round Jan. 29, 2019. “<http://web.archive.org/web/20170903074431/https://www.ramteg.com/en/icustom-trailers-photos>.”
 “https://www.amazon.com/db/b01EQK3L2/ref=psdc_5743826011_t3_B01EQKJOB0 (Apr. 24, 2016).”
 “<http://web.archive.org/web/20171010041329/http://wet-inc.com/oil-field-cleaning/>.”
<https://northerntool.com/images/downloads/manuals/157565.pdf> (it is believed the link was published by Applicant on or around Nov. 29, 2018).
 NorthStar ProShot Hot Water Commercial Pressure Water Trailer--3000 PSI, website 2019, site visited Dec. 4, 2019, https://www.northerntool.com/shop/tools/product_200732884_200732884.
 NorthStar ProShot Hot Water Commercial Pressure Water Trailer--4000 PSI, website questions 2018, https://www.northerntool.com/shop/tools/product_200697186_200697186, site visited Dec. 4, 2019.
 “Letter by Goytia & Associates regarding Office Action/Notification of Examination Report for Chilean Patent Application No. 2018-01038, said letter dated Jun. 14, 2019, and interpreting the report dated Apr. 20, 2016 issued by Chilean PTO.”
 “Report dated Apr. 20, 2018 for Chilean Patent Application No. 2018-01038, issued by the Chilean PTO.”
 “<https://amazon.com/26x102-Gooseneck-Trailer-zplsndzsd-26XT/dp/B01E9CXTFWC> (Nov. 28, 2016).”
 “<https://web.archive.org/web/20161025170211/http://landamidwest.com/products/mobile-wash-trailers/tr-60000-series>.”
 “<https://web.archive.org/web/20161105004125/http://powerlineindustriesreviews.com/index/php/trailer-power-washers>.”
 “https://www.amazon.com/dp/B01EQK3L2/ref=psdc_5743826011_t3_B01EQKJOB0 (Apr. 24, 2016).”
 “<http://web.archive.org/web/20171010041329/http://wet-inc.com/oil-field-cleaning/>.”
 “https://www.amazon.com/dp/B01EQK3L2/ref=psdc_5743826011_t1_B01E9XTFWC (Apr. 24, 2016).”
 “https://www.amazon.com/dp/B01E9XGG9M/ref=psdc_5743826011_t3_B01EQK3L21 (Nov. 28, 2016).”

* cited by examiner

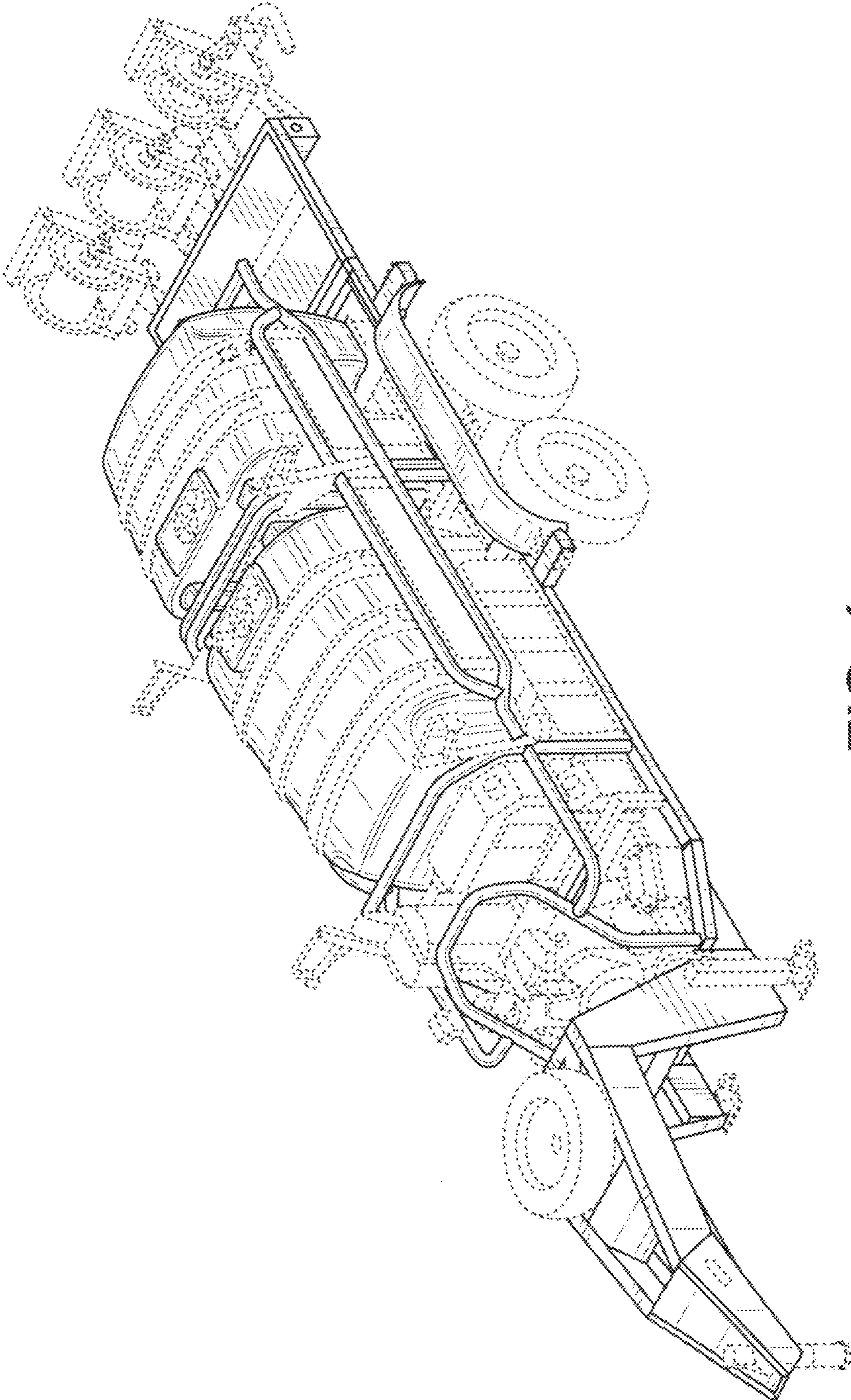


FIG. 1

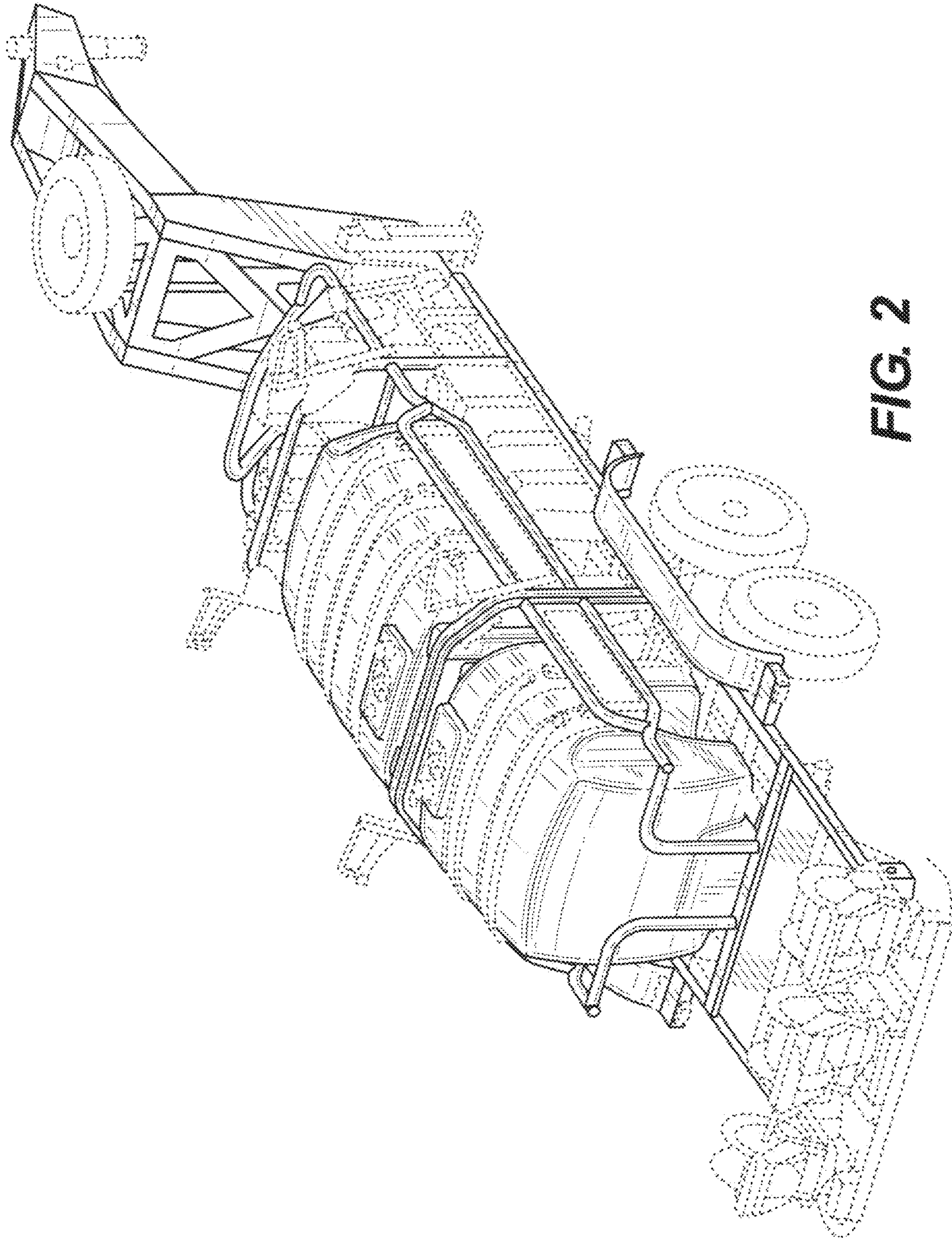


FIG. 2

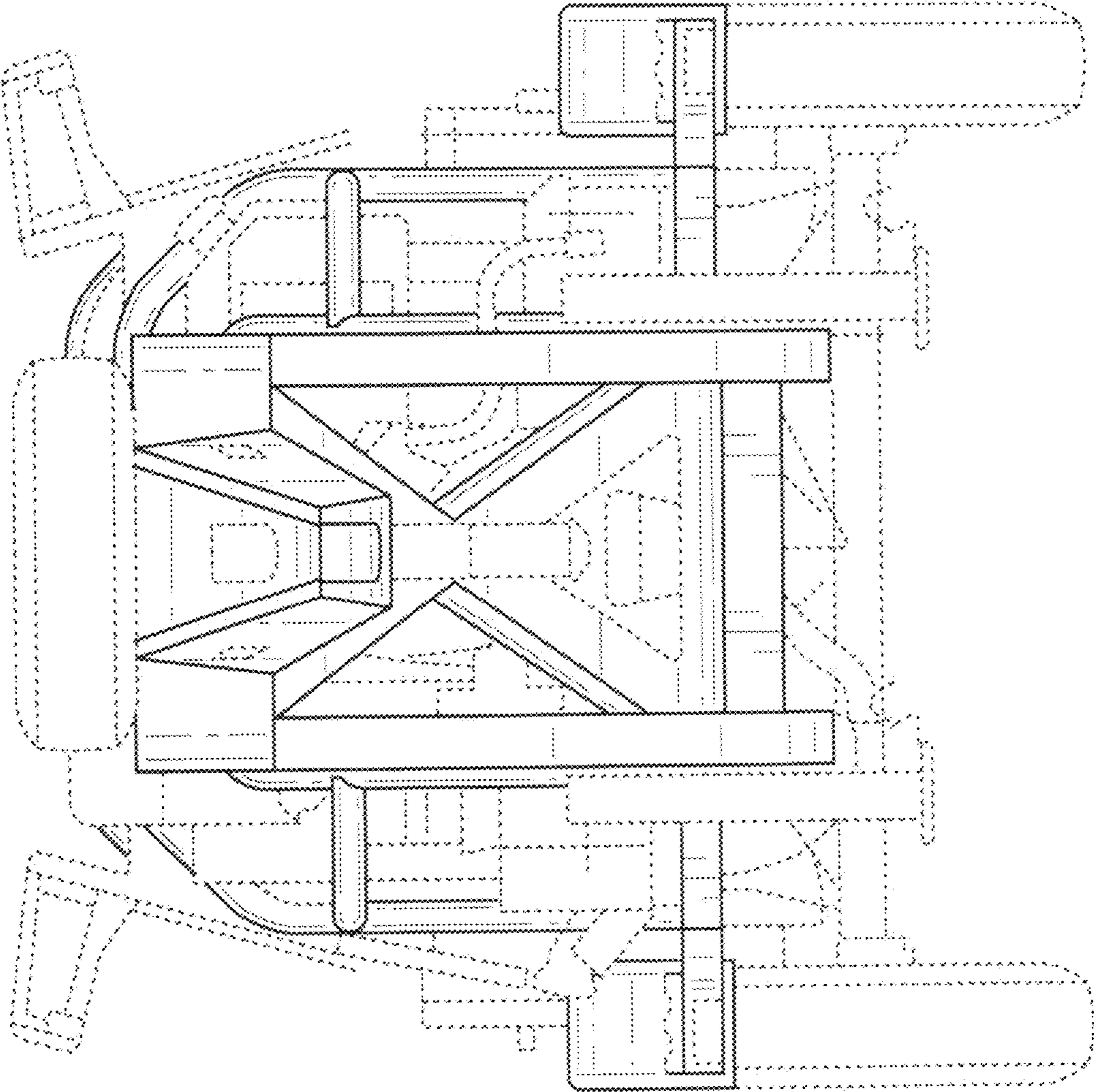


FIG. 3

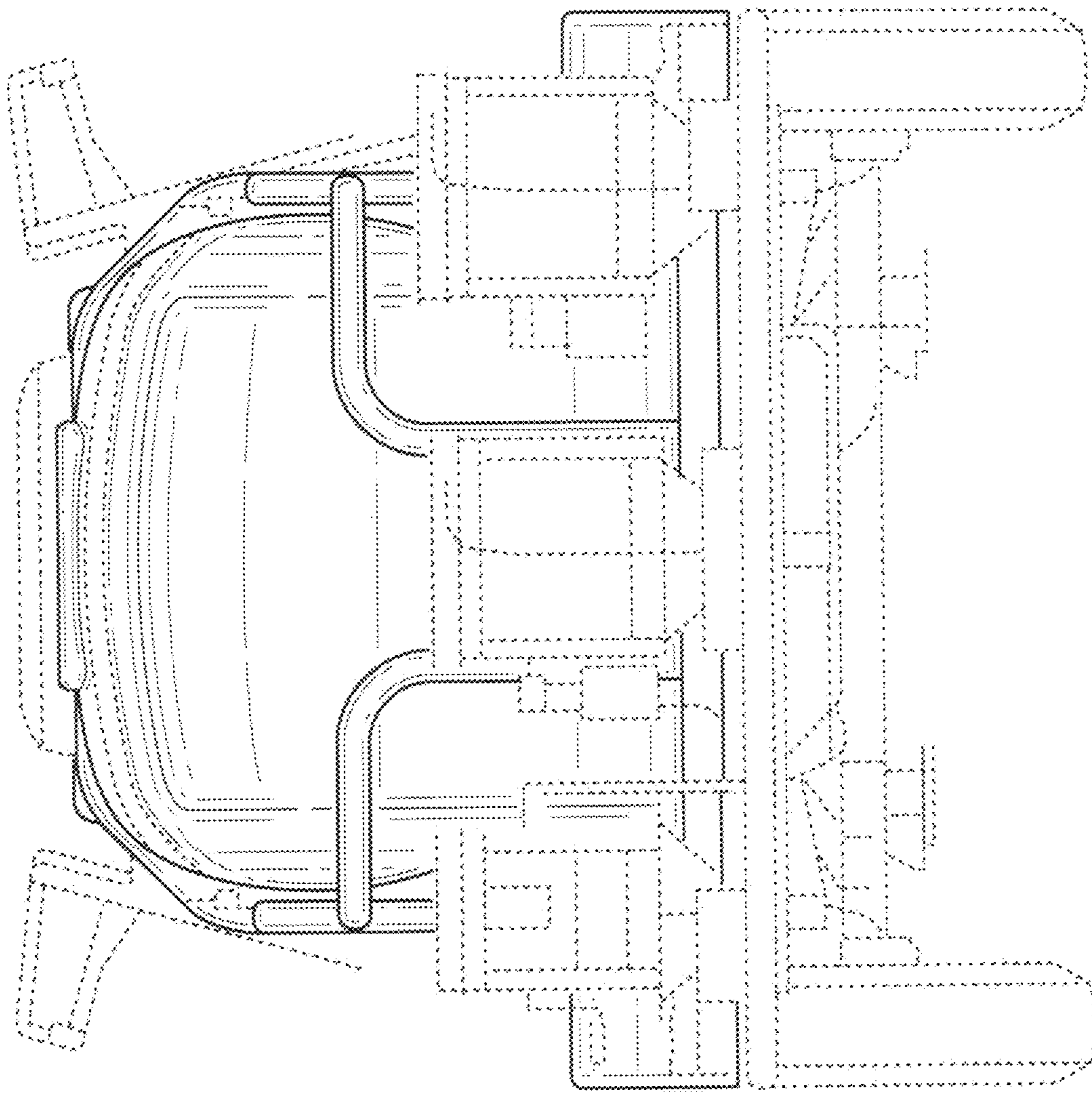


FIG. 4

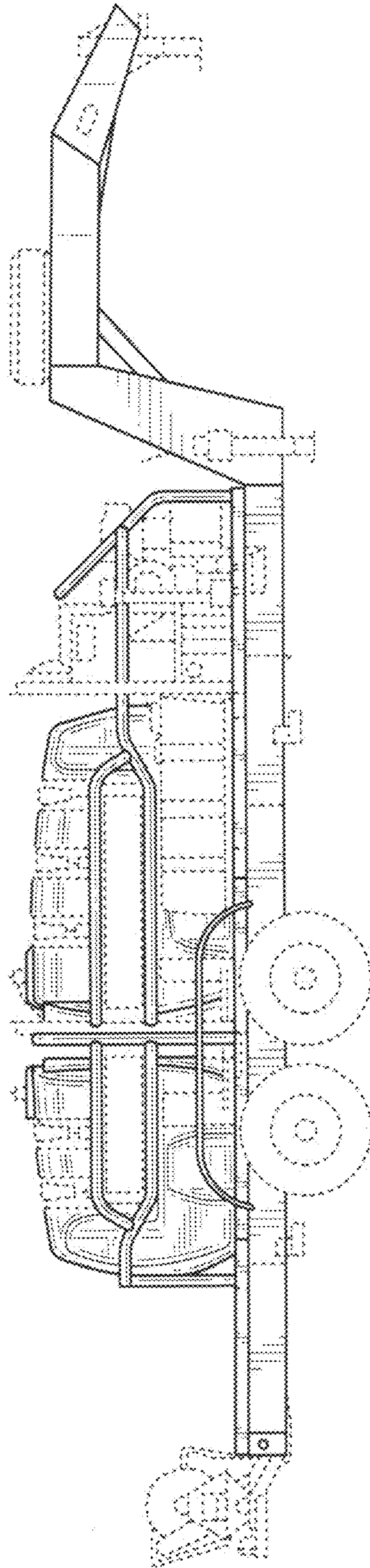


FIG. 5

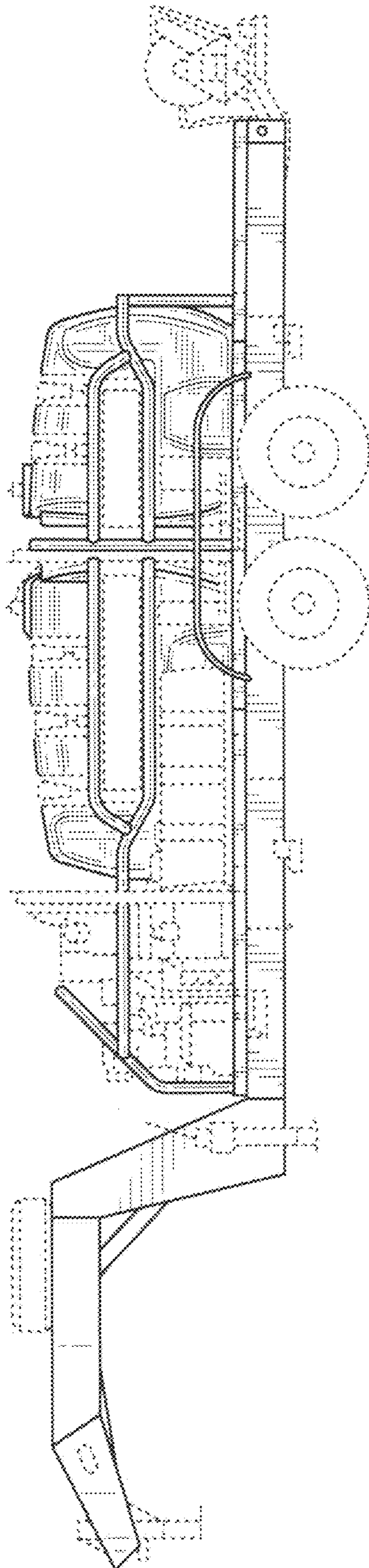


FIG. 6

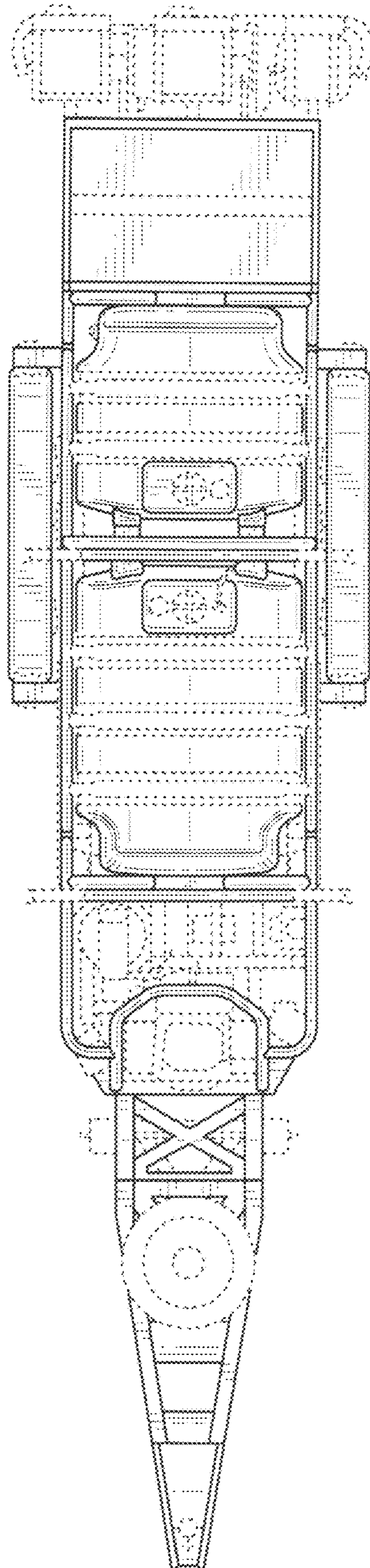


FIG. 7

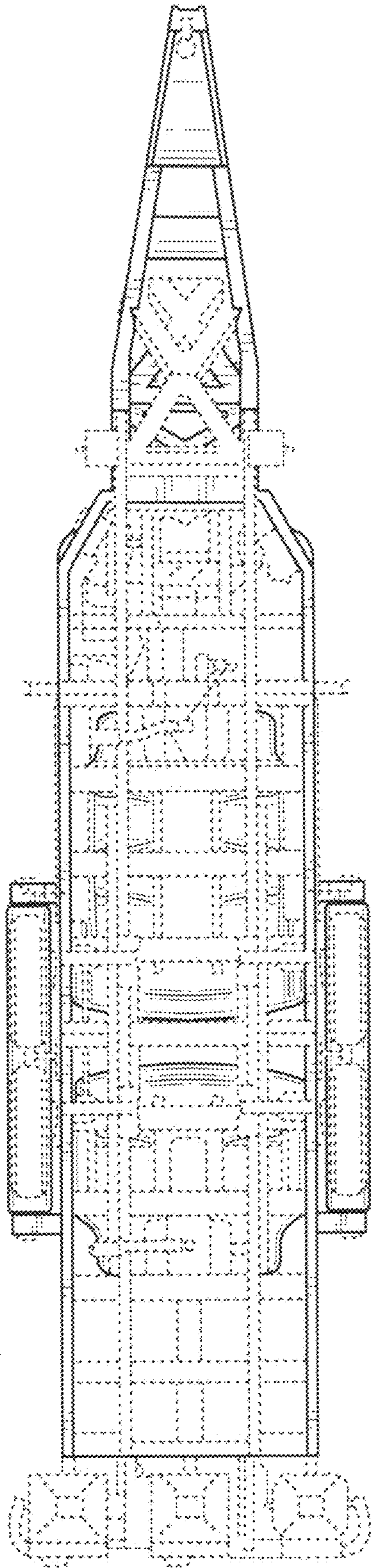


FIG. 8