



US00D892415S

(12) **United States Design Patent** (10) **Patent No.:** **US D892,415 S**
Axelrod et al. (45) **Date of Patent:** **** Aug. 4, 2020**

(54) **GROOMING TOOL**

(71) Applicant: **FOUR PAWS PRODUCTS, LTD.**,
Neptune City, NJ (US)

(72) Inventors: **Glen S. Axelrod**, Colts Neck, NJ (US);
Ajay Gajria, Maharashtra (IN)

(73) Assignee: **FOUR PAWS PRODUCTS, LTD.**,
Neptune City, NJ (US)

(**) Term: **15 Years**

(21) Appl. No.: **29/624,625**

(22) Filed: **Nov. 2, 2017**

(51) **LOC (12) Cl.** **30-99**

(52) **U.S. Cl.**
USPC **D30/159**; D4/118; D4/117; D4/136;
D30/158

(58) **Field of Classification Search**

USPC D4/132-138, 127, 124-126, 116-119,
D4/199, 194, 100-102, 122; D7/393,
D7/395, 401.2; D8/107, 303; D28/10,
D28/28, 30, 35, 37; 15/143.1, 159.1,
15/160, 186-188, DIG. 5, 191.1, 192,
15/193, 201, 207.2; 16/430; 132/119.1,
132/120, 142, 313, 161, 121, 271, 219,
132/141, 143-144, 137, 123-130, 901,
132/270, 150-155, 147, 148, 139, 158,
132/160, 149, 112-116, 213.1; D30/158,
D30/159; 119/600, 612, 625, 633, 628,
119/632, 631, 611, 601, 605, 606,
119/613-620, 630; 30/114, 130, 301,
30/305, 315, 316, 299, 303, 306, 169,
30/322, 31, 30, 279.2, 280, 287, 294,
30/199, 329-344, 346.56, 346.61, 355,
30/357, 34.05

CPC A46B 1/00; A46B 3/00; A46B 3/20; A46B
3/22; A46B 5/0008; A46B 5/028; A46B
5/00; A46B 5/02; A46B 5/021; A46B
5/023; A46B 5/025; A46B 5/026; A46B
9/00; A46B 9/005; A46B 9/02; A46B
9/023; A46B 9/025; A46B 9/026; A46B

2200/00; A46B 2200/10; A46B 2200/102;
A46B 2200/104; A46B 2200/1093; A46D
1/00; Y10S 15/05; A01K 13/00; A01K
13/002; A01K 13/003; A45D 24/30;
A45D 24/00; A45D 24/04; A45D 24/10;
A45D 24/36; A45D 24/02; A45D 24/08;
A45D 24/42; A45D 24/44; A45D
2024/002; B26B 19/24; B26B 19/063;
B26B 21/16; B26B

(Continued)

(56) **References Cited**

U.S. PATENT DOCUMENTS

1,128,667 A * 2/1915 Puy A46B 3/16
15/199
D89,299 S * 2/1933 Fay D4/133

(Continued)

Primary Examiner — Susan Moon Lee

(74) *Attorney, Agent, or Firm* — Grossman, Tucker,
Perreault & Pfleger, PLLC

(57) **CLAIM**

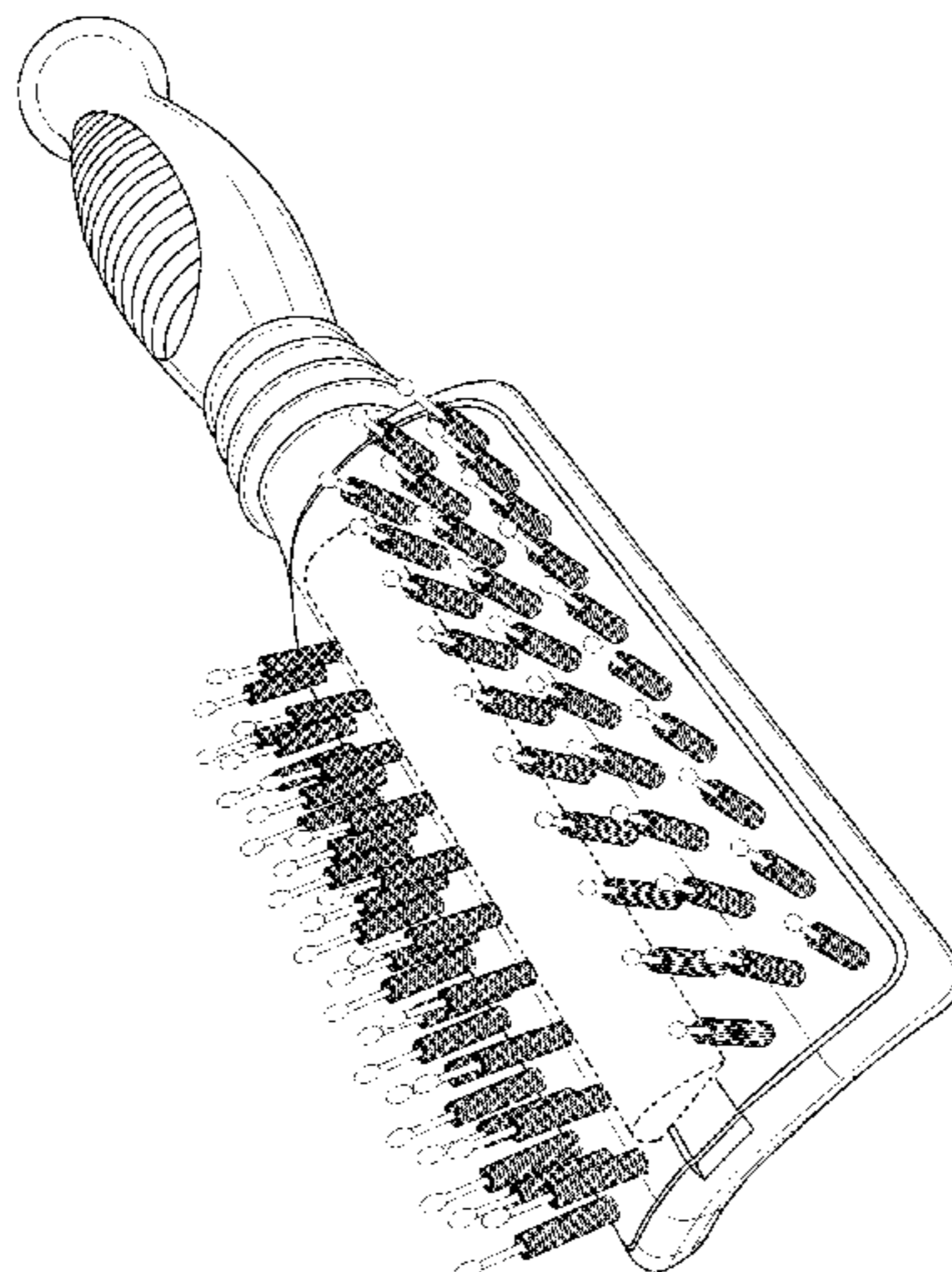
We claim the ornamental design for a grooming tool, as
shown and described.

DESCRIPTION

FIG. 1 is a perspective view of a grooming tool of the
present invention;
FIG. 2 is a front view thereof;
FIG. 3 is a back view thereof;
FIG. 4 is a side view thereof;
FIG. 5 is a side view thereof;
FIG. 6 is a top view thereof;
FIG. 7 is a bottom view thereof; and,
FIG. 8 is an exploded perspective view thereof.

The broken lines depict exemplary environment and com-
ponents for purposes of illustration and form no part of the
design claim.

1 Claim, 7 Drawing Sheets



US D892,415 S

(58) **Field of Classification Search**
 CPC ... 21/18; B26B 21/521; B26B 21/4075; B26B
 21/522; B26B 21/12; B26B 21/125; B26B
 1/08
 See application file for complete search history.

(56) **References Cited**

U.S. PATENT DOCUMENTS

D105,165 S * 6/1937 Dean D4/117
 D127,983 S * 7/1941 Wechsler D4/134
 D134,720 S * 1/1943 Herschensohn D4/133
 D155,310 S * 9/1949 Muller-Munk D4/133
 D156,757 S * 1/1950 Muller-Munk D4/133
 D157,058 S * 1/1950 Langer D4/133
 D158,986 S * 6/1950 Love D4/117
 D171,735 S * 3/1954 Schotland D4/133
 D177,770 S * 5/1956 Solomon D4/136
 D179,650 S * 2/1957 Mayer D4/133
 D179,651 S * 2/1957 Mayer D4/133
 2,795,807 A * 6/1957 Salvy A46B 7/04
 15/176.1
 D180,753 S * 8/1957 Schotland D4/133
 D189,115 S * 10/1960 Magers D4/133
 2,963,729 A * 12/1960 Thonbo A46B 7/04
 15/176.1
 3,128,487 A * 4/1964 Vallis A46B 15/00
 15/176.1
 3,140,499 A * 7/1964 Du Bois A46B 7/00
 15/160
 3,172,139 A * 3/1965 Wire A46B 17/06
 15/160
 3,253,292 A * 5/1966 Herschensohn A46B 9/023
 15/201
 D207,050 S * 2/1967 Vallis D4/117
 D230,105 S * 1/1974 Newman et al. D4/117
 D234,168 S * 1/1975 Sporn D4/133
 D238,316 S * 1/1976 Kahn D4/136
 3,931,826 A * 1/1976 Moon A45D 20/48
 132/271
 D244,568 S * 6/1977 Lepisto D4/136
 D249,909 S * 10/1978 Epstein D4/136
 D253,321 S * 11/1979 Saute 15/186
 D253,322 S * 11/1979 Saute D4/136
 4,237,822 A * 12/1980 Kaiser, Jr. A01K 13/002
 119/603
 D260,949 S * 9/1981 Megna 15/187
 D263,768 S * 4/1982 Birch D4/136
 D264,275 S * 5/1982 Megna 15/187
 4,346,721 A * 8/1982 Molaro A46B 15/0055
 132/313
 D280,268 S * 8/1985 Schmidt D4/136
 4,566,145 A * 1/1986 Wachtel A46B 9/023
 15/201
 D289,828 S * 5/1987 Bautista D4/136
 D290,910 S * 7/1987 Steadman D4/136
 4,722,111 A * 2/1988 Brodey A46B 9/06
 15/195
 4,875,792 A * 10/1989 Canada A46B 11/001
 401/283
 D306,523 S * 3/1990 Natali D4/116
 4,934,855 A * 6/1990 Recchelbacher .. A46B 11/0055
 132/148
 D359,624 S * 6/1995 Dols D4/134
 D365,687 S * 1/1996 Gertsma D4/133
 D366,567 S * 1/1996 Gertsma D4/133
 D372,336 S * 7/1996 Kip D28/18
 5,564,153 A * 10/1996 Lange A45D 20/48
 132/271
 5,632,289 A * 5/1997 Sharp A01K 13/002
 132/116
 D383,901 S * 9/1997 Anderson D4/138
 5,749,115 A * 5/1998 Franke A45D 24/10
 15/145
 5,815,877 A * 10/1998 Heneveld A46B 7/023
 15/203

5,884,402 A * 3/1999 Talavera B26B 19/00
 30/124
 6,006,395 A * 12/1999 Tiramani A46B 5/0025
 15/176.1
 D434,910 S * 12/2000 Kim D4/133
 D438,388 S * 3/2001 Cheung D4/136
 D446,942 S * 8/2001 Kim D4/138
 6,341,611 B1 * 1/2002 Nakamura A46B 9/023
 132/120
 6,438,785 B1 * 8/2002 Smith A46B 5/02
 132/120
 D466,306 S * 12/2002 Skwarek D4/117
 D467,738 S * 12/2002 Yu D4/133
 D472,052 S * 3/2003 Park D4/119
 D473,717 S * 4/2003 Park D4/120
 D483,951 S * 12/2003 Little D4/133
 D504,235 S * 4/2005 Kuo D4/133
 D504,571 S * 5/2005 Kuo D4/133
 D504,776 S * 5/2005 Kuo D4/133
 D508,777 S * 8/2005 Kampel D4/133
 D509,962 S * 9/2005 Kampel D4/133
 D510,483 S * 10/2005 Kuo D4/128
 D513,668 S * 1/2006 Smith D4/136
 7,010,827 B2 * 3/2006 Kim A46B 5/0029
 132/120
 D518,297 S * 4/2006 Little D4/133
 7,100,537 B1 * 9/2006 Suen A01K 13/002
 119/612
 D529,720 S * 10/2006 Chang D4/138
 D543,363 S * 5/2007 Leung D4/128
 D543,704 S * 6/2007 Leung D4/133
 D545,570 S * 7/2007 White D4/133
 D547,068 S * 7/2007 Major D30/158
 7,243,428 B2 * 7/2007 Okaniwa A45D 24/36
 15/207.2
 7,309,182 B2 * 12/2007 McKay A01K 13/002
 132/313
 7,310,849 B2 * 12/2007 White A45D 20/525
 15/176.4
 7,757,336 B2 * 7/2010 Varner A47L 1/06
 15/143.1
 7,856,720 B2 * 12/2010 Okaniwa B26B 1/08
 30/30
 D640,874 S * 7/2011 Huang D4/138
 D646,489 S * 10/2011 Little D4/133
 8,181,304 B1 * 5/2012 Kamath A46B 9/023
 132/120
 D698,556 S * 2/2014 Little D4/133
 D708,857 S * 7/2014 Brown D4/133
 8,790,354 B2 * 7/2014 Makosky A46B 15/0036
 606/131
 D721,507 S * 1/2015 Schuler D4/133
 D724,849 S * 3/2015 Schuler D4/133
 D724,850 S * 3/2015 Schuler D4/133
 8,967,157 B2 * 3/2015 Steiner A45D 24/10
 132/150
 D750,896 S * 3/2016 Park D4/136
 9,326,591 B2 * 5/2016 Nicoline A46B 5/02
 D764,808 S * 8/2016 Rosenzweig D4/132
 D768,389 S * 10/2016 Rosenzweig D4/114
 D781,596 S * 3/2017 Chang D4/134
 D783,292 S * 4/2017 Chang D4/128
 9,706,753 B2 * 7/2017 Moeller A46D 1/0253
 D808,660 S * 1/2018 Kresge D4/128
 D809,803 S * 2/2018 Mao D4/138
 D818,717 S * 5/2018 Gulamani D4/133
 D833,753 S * 11/2018 Axelrod D4/119
 D834,332 S * 11/2018 Chen D4/134
 D839,607 S * 2/2019 Kuo D4/134
 D839,609 S * 2/2019 Robbins D4/134
 D849,417 S * 5/2019 Cheung D4/136
 D860,655 S * 9/2019 Treeby D4/136
 D864,484 S * 10/2019 Talavera D28/53
 D870,461 S * 12/2019 Robbins D4/134
 D873,571 S * 1/2020 Stenson D4/120

(56)

References Cited

U.S. PATENT DOCUMENTS

2005/0138747 A1* 6/2005 Su A46B 1/00
15/207.2
2009/0000642 A1* 1/2009 DiPippo A46B 17/06
134/6
2011/0094528 A1* 4/2011 Leung A46B 9/023
132/120

* cited by examiner

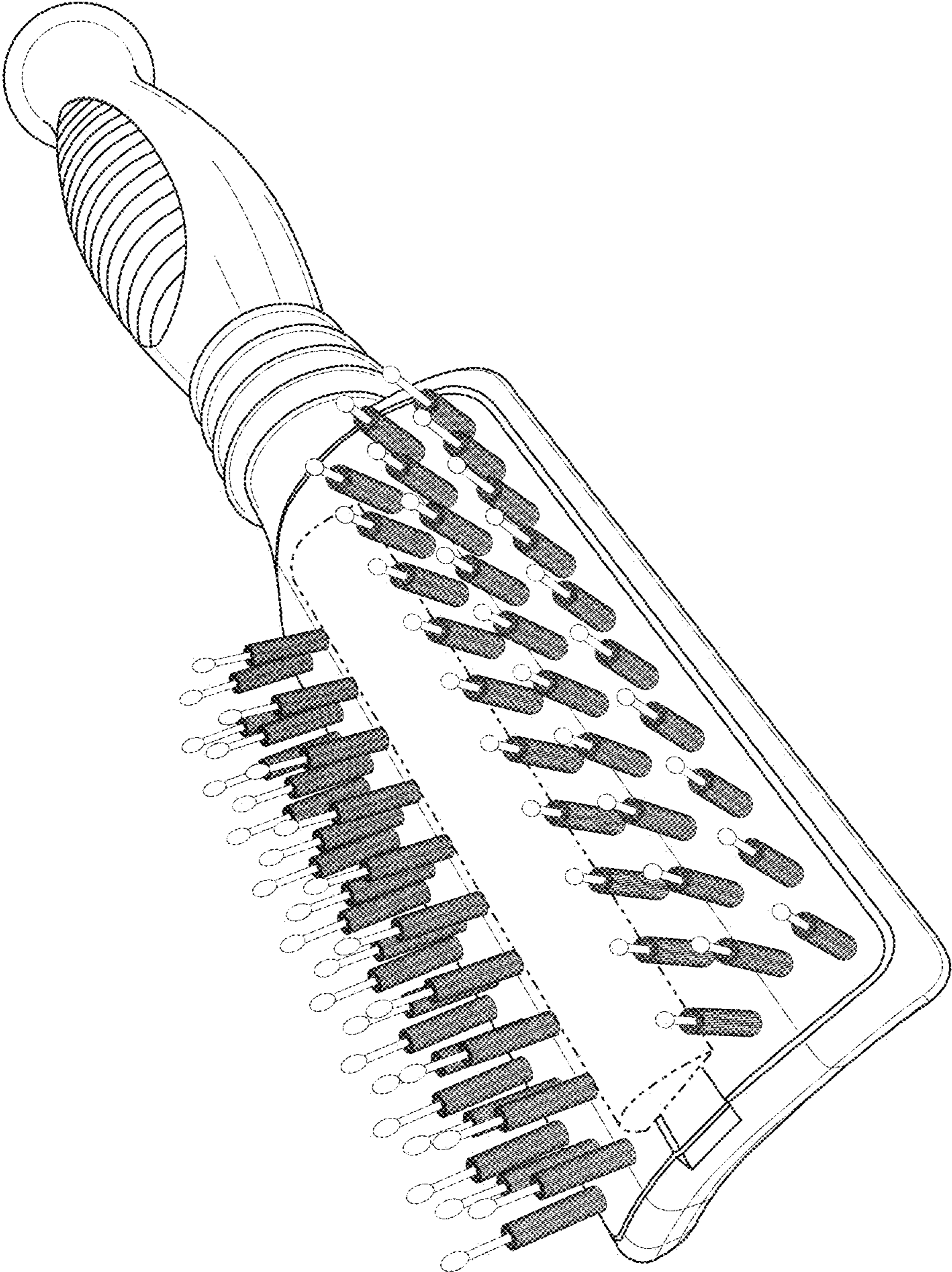


FIG. 1

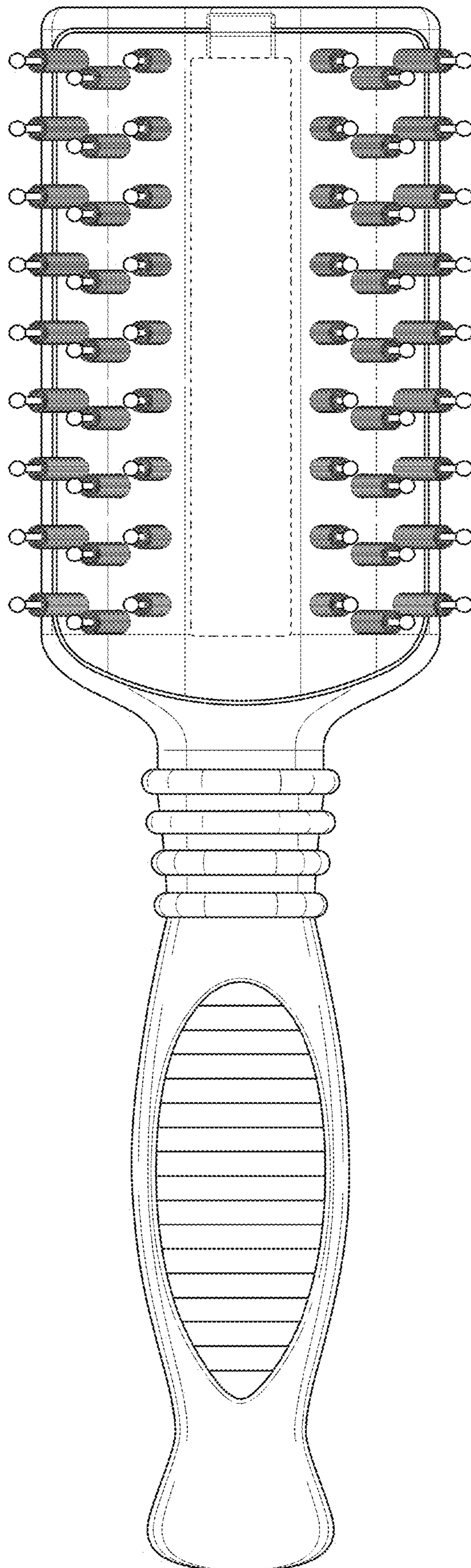


FIG. 2

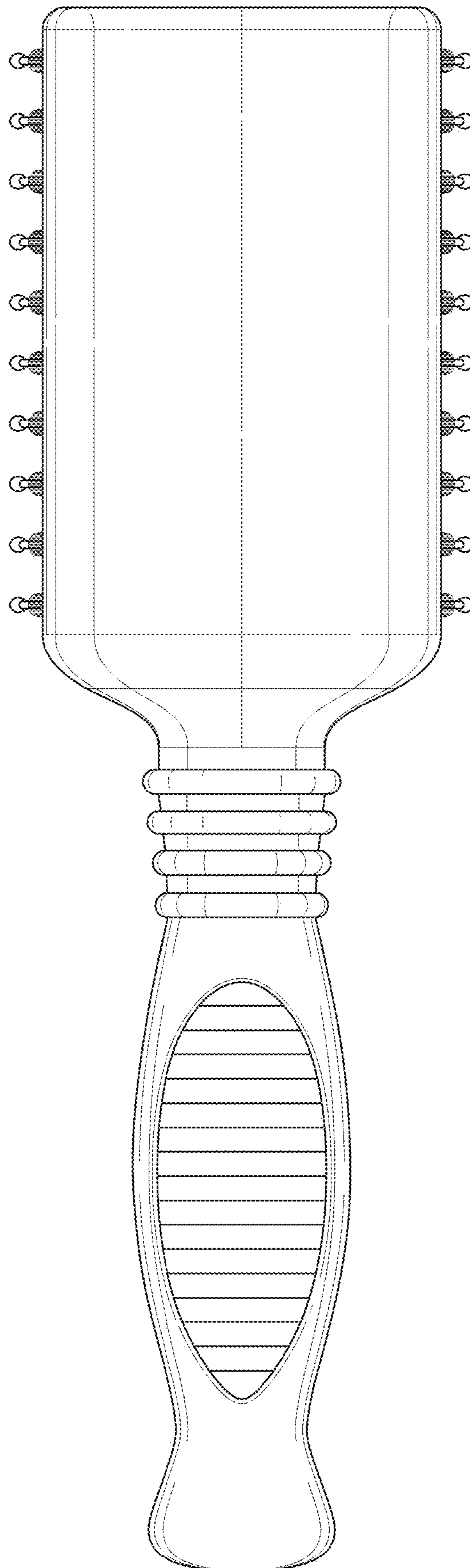


FIG. 3

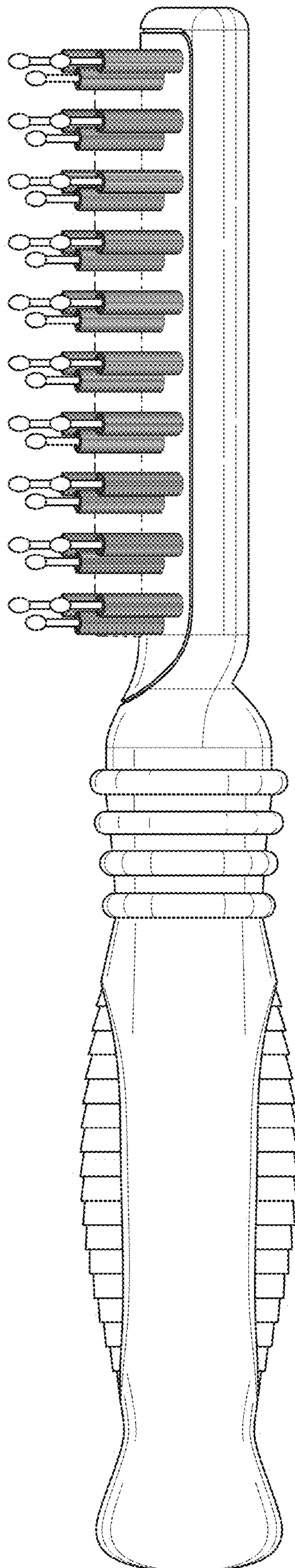


FIG. 4

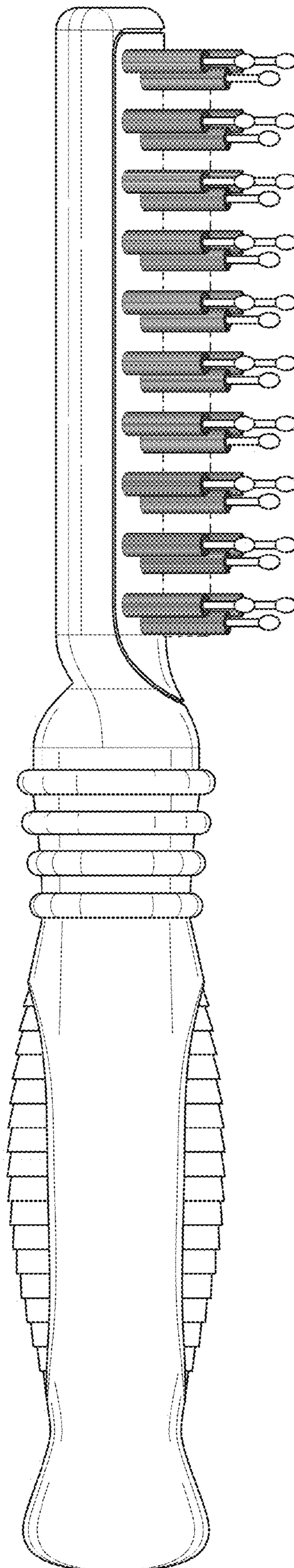


FIG. 5

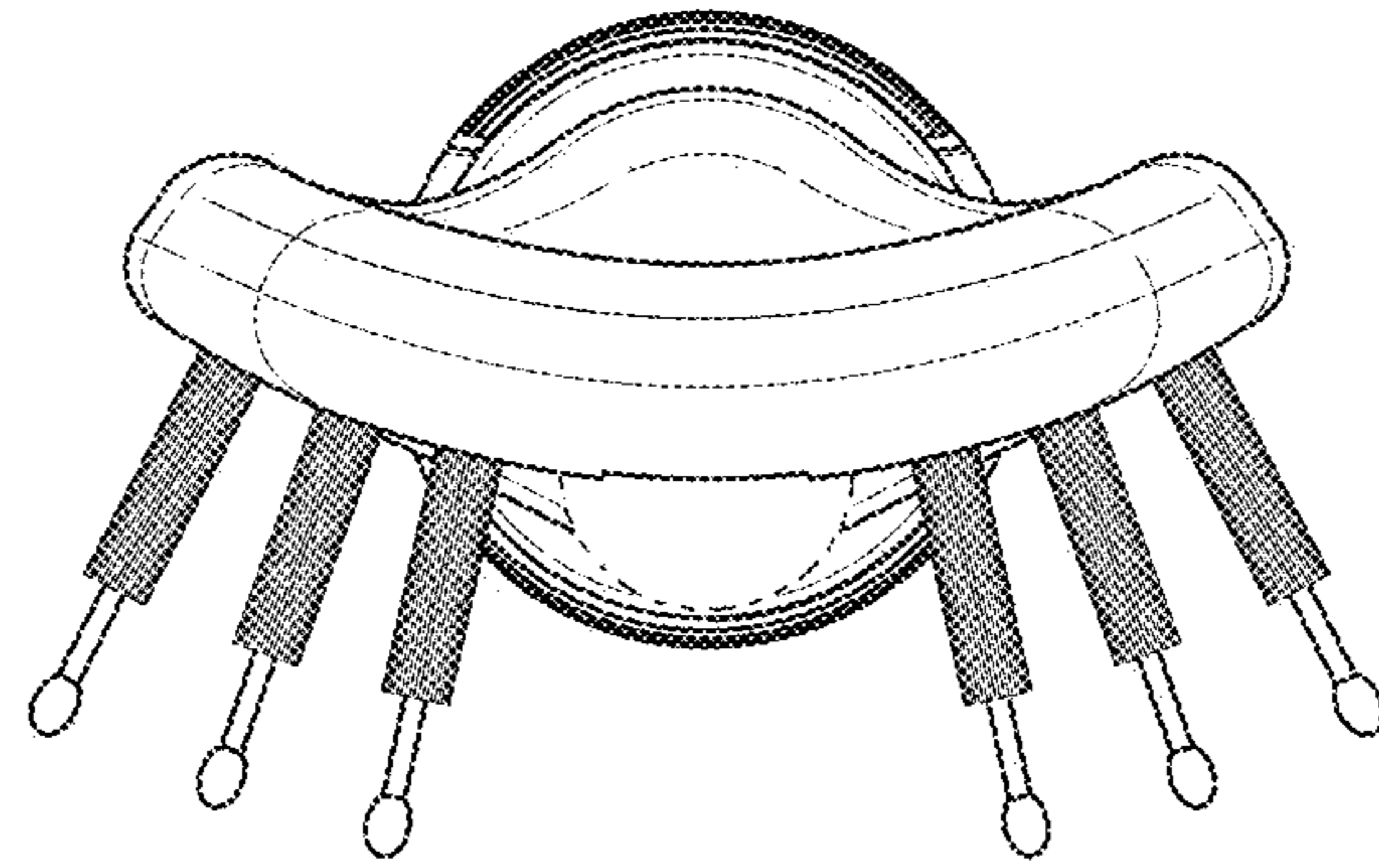


FIG. 6

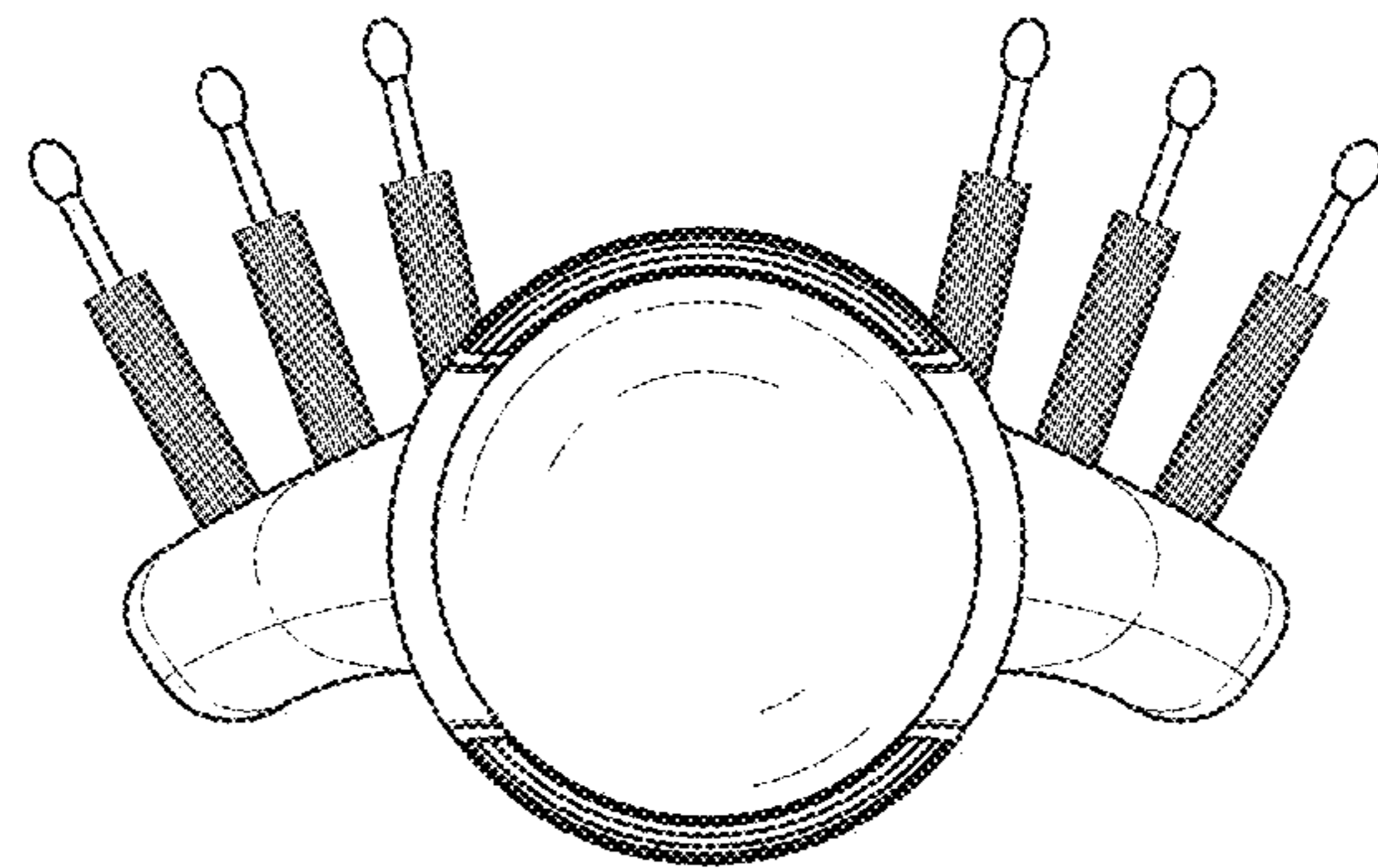


FIG. 7

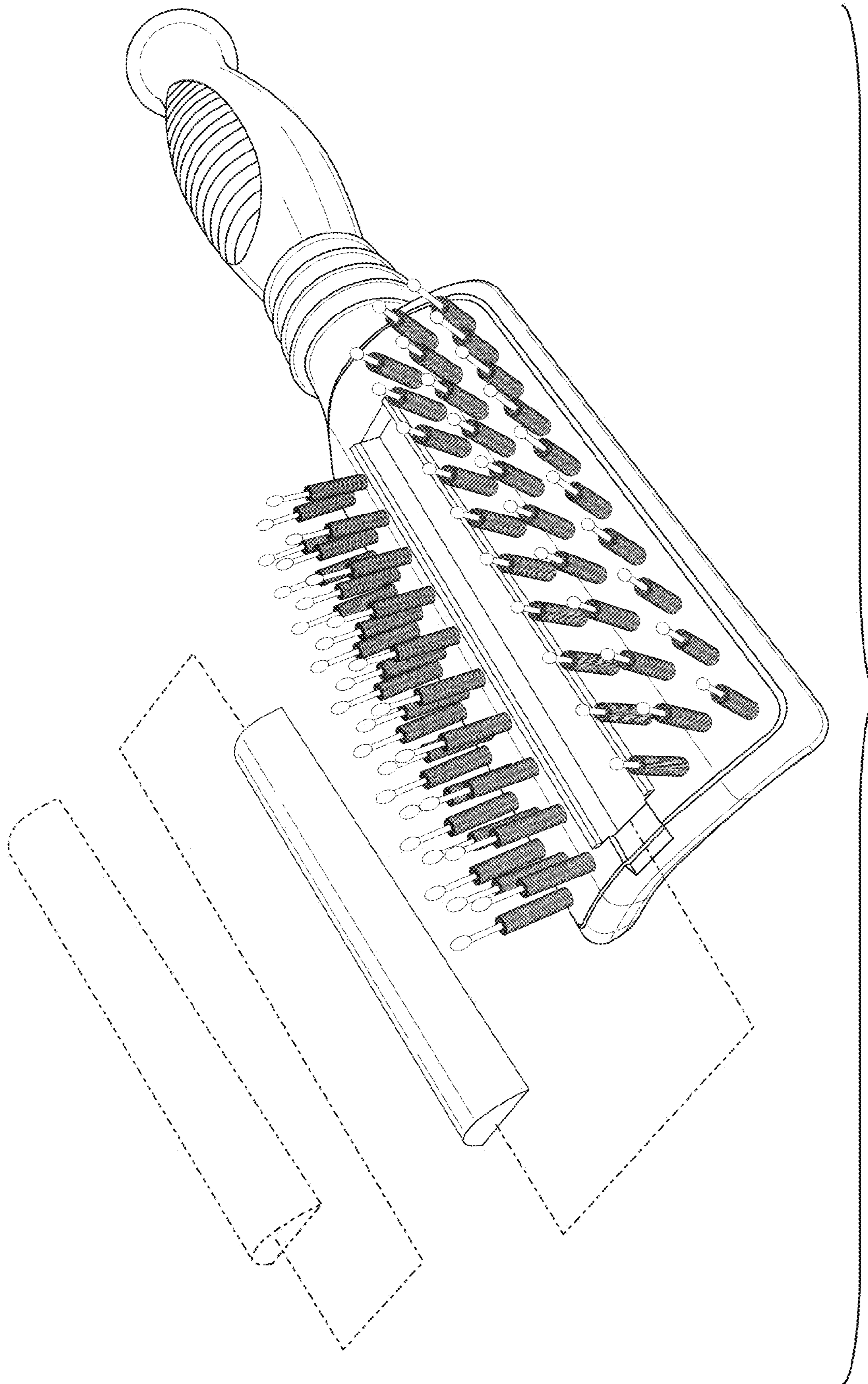


FIG. 8