



US00D892413S

(12) **United States Design Patent** (10) **Patent No.:** **US D892,413 S**
Mastic (45) **Date of Patent:** **** Aug. 4, 2020**

(54) **ELEVATED DOG BOWL HAVING AN OPEN FRONT**

2007/0089678 A1 4/2007 Greenwood
2009/0241844 A1 10/2009 Becattini
2015/0114302 A1 4/2015 Harris

(71) Applicant: **Debra Mastic**, Longmont, CO (US)

(72) Inventor: **Debra Mastic**, Longmont, CO (US)

(**) Term: **15 Years**

(21) Appl. No.: **29/667,981**

(22) Filed: **Oct. 26, 2018**

(51) **LOC (12) Cl.** **30-03**

(52) **U.S. Cl.**
USPC **D30/129**

(58) **Field of Classification Search**
USPC D10/121, 122, 129–133, 199; D6/375
CPC A01K 5/00
See application file for complete search history.

(56) **References Cited**

U.S. PATENT DOCUMENTS

3,176,656	A	4/1965	Bates	
5,975,016	A	11/1999	Wesenhagen	
6,089,187	A	7/2000	Gaspary	
6,786,177	B1	9/2004	Lemkin	
D744,174	S	11/2015	Jones et al.	
D787,135	S *	5/2017	Green	D30/121
D805,796	S *	12/2017	Bougay	D6/375
D820,536	S *	6/2018	Nishihara	D30/133
D830,647	S *	10/2018	Le	D30/133
D830,750	S *	10/2018	Hiyoshi	D6/716
D830,752	S *	10/2018	Hiyoshi	D6/716
D846,816	S *	4/2019	Tsengas	D30/133
D854,759	S *	7/2019	Elliott	D30/133
2002/0092476	A1	7/2002	Vlach	
2005/0115508	A1	6/2005	Little	

OTHER PUBLICATIONS

“The Fluff Trough” available Jan. 21, 2019, [online], [site visited Mar. 1, 2020]. Retrieved from Internet, URL:https://www.kickstarter.com/projects/flufftrough/the-fluff-trough-elevate-your-pets-dining-experien/faqs (Year: 2019).*

* cited by examiner

Primary Examiner — Michael C Stout

Assistant Examiner — Katrina N Gonzalez

(74) *Attorney, Agent, or Firm* — Polson Intellectual Property Law, PC; Margaret Polson; Christopher Sylvain

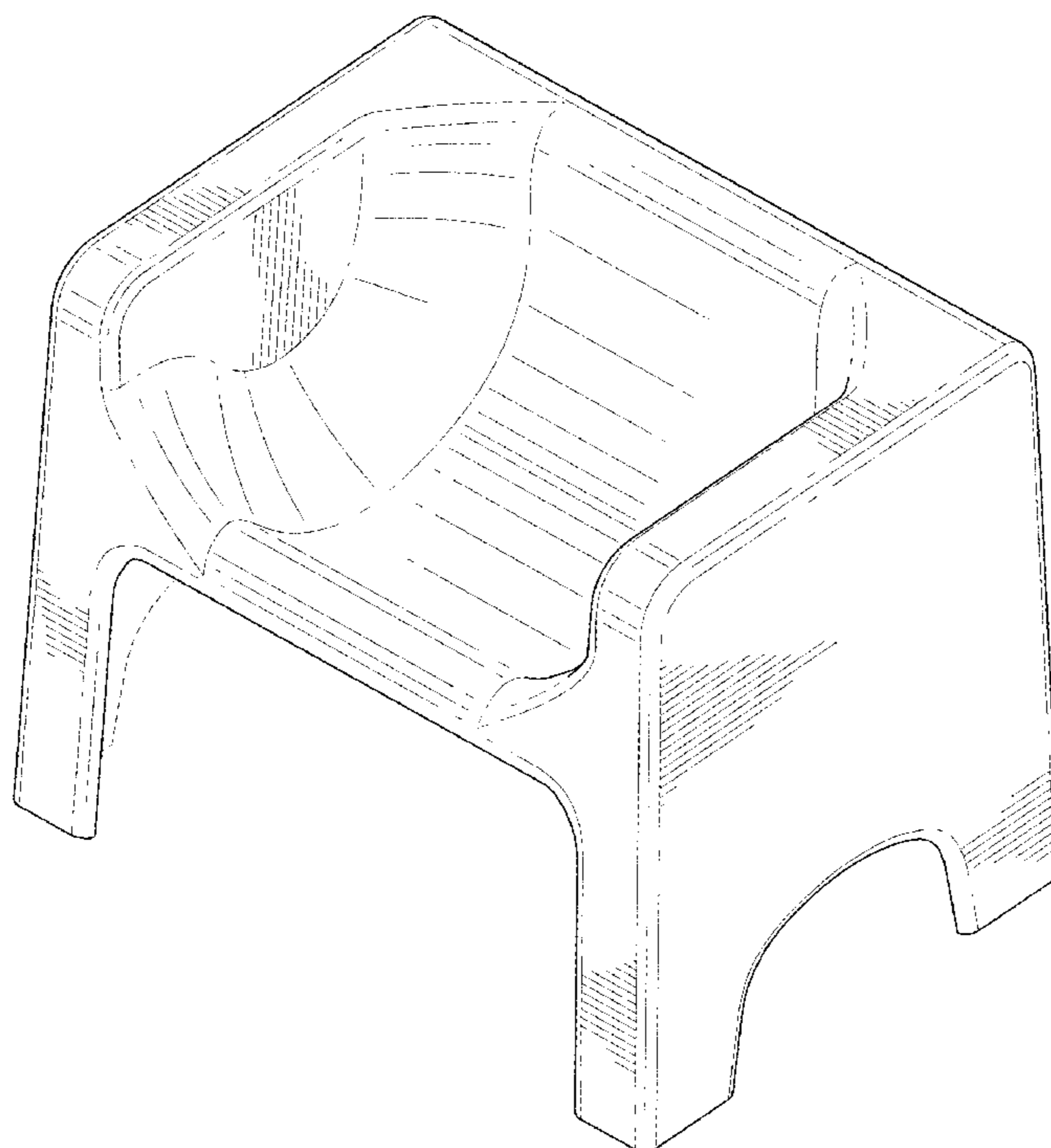
(57) **CLAIM**

The ornamental design for an elevated dog bowl having an open front, as shown and described.

DESCRIPTION

FIG. 1 is a top perspective view of an elevated dog bowl having an open front.
FIG. 2 is a front view thereof.
FIG. 3 is a rear view thereof.
FIG. 4 is a left-side view thereof.
FIG. 5 is a right-side view thereof.
FIG. 6 is a top view thereof; and,
FIG. 7 is a bottom view thereof.
The broken lines illustrate portions of the elevated dog bowl having an open front that form no part of the claimed design.

1 Claim, 7 Drawing Sheets



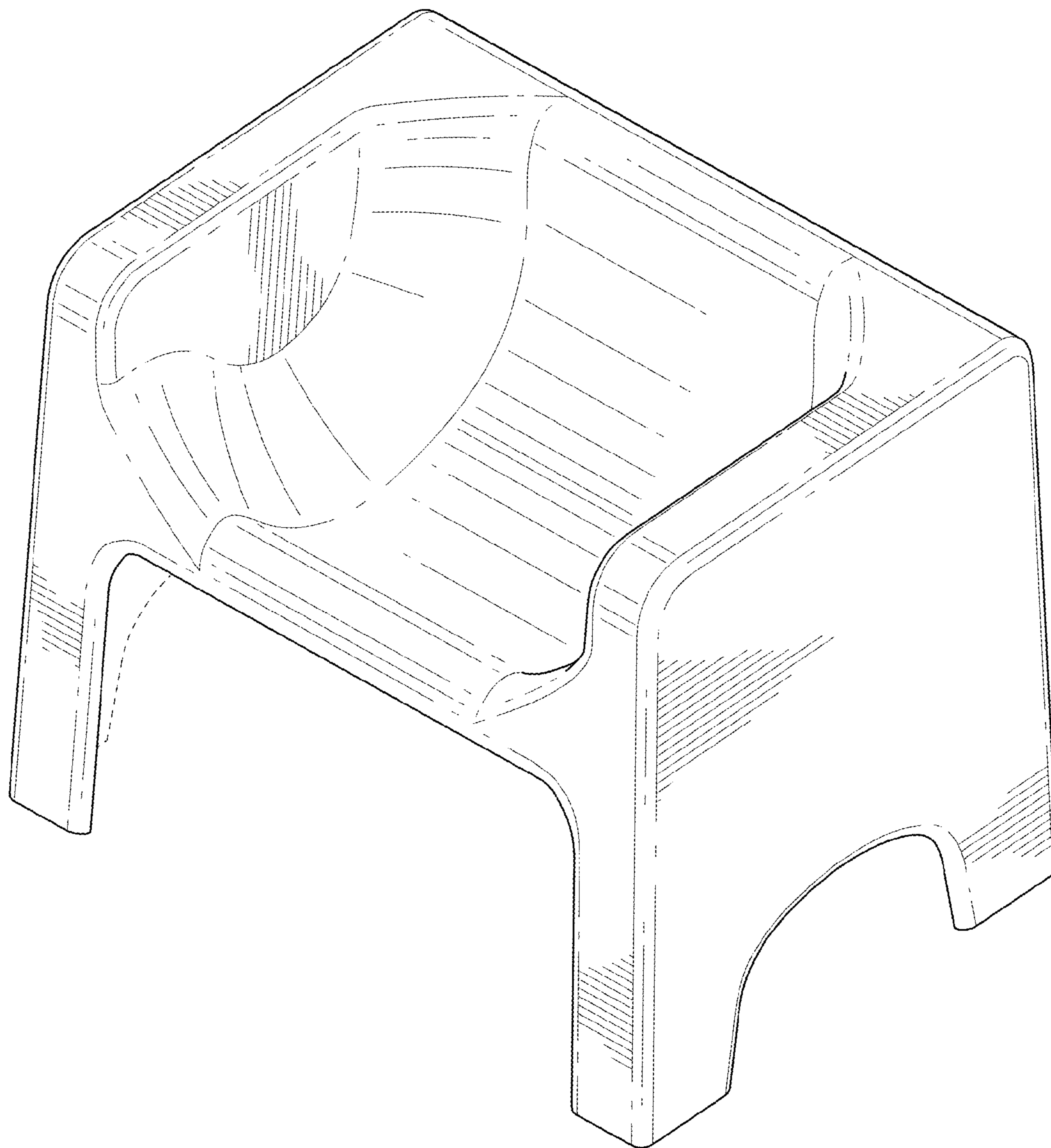


FIG. 1

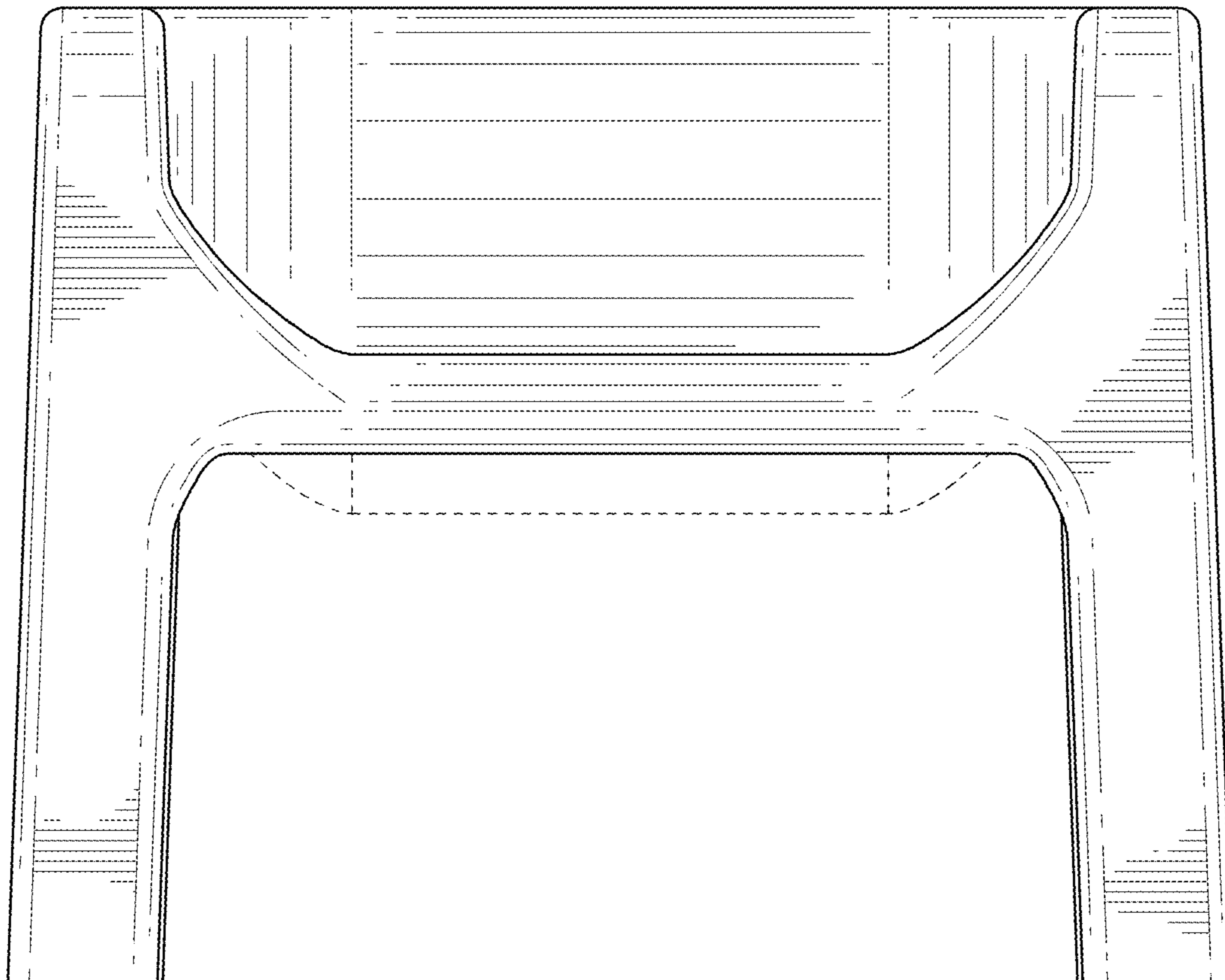


FIG.2

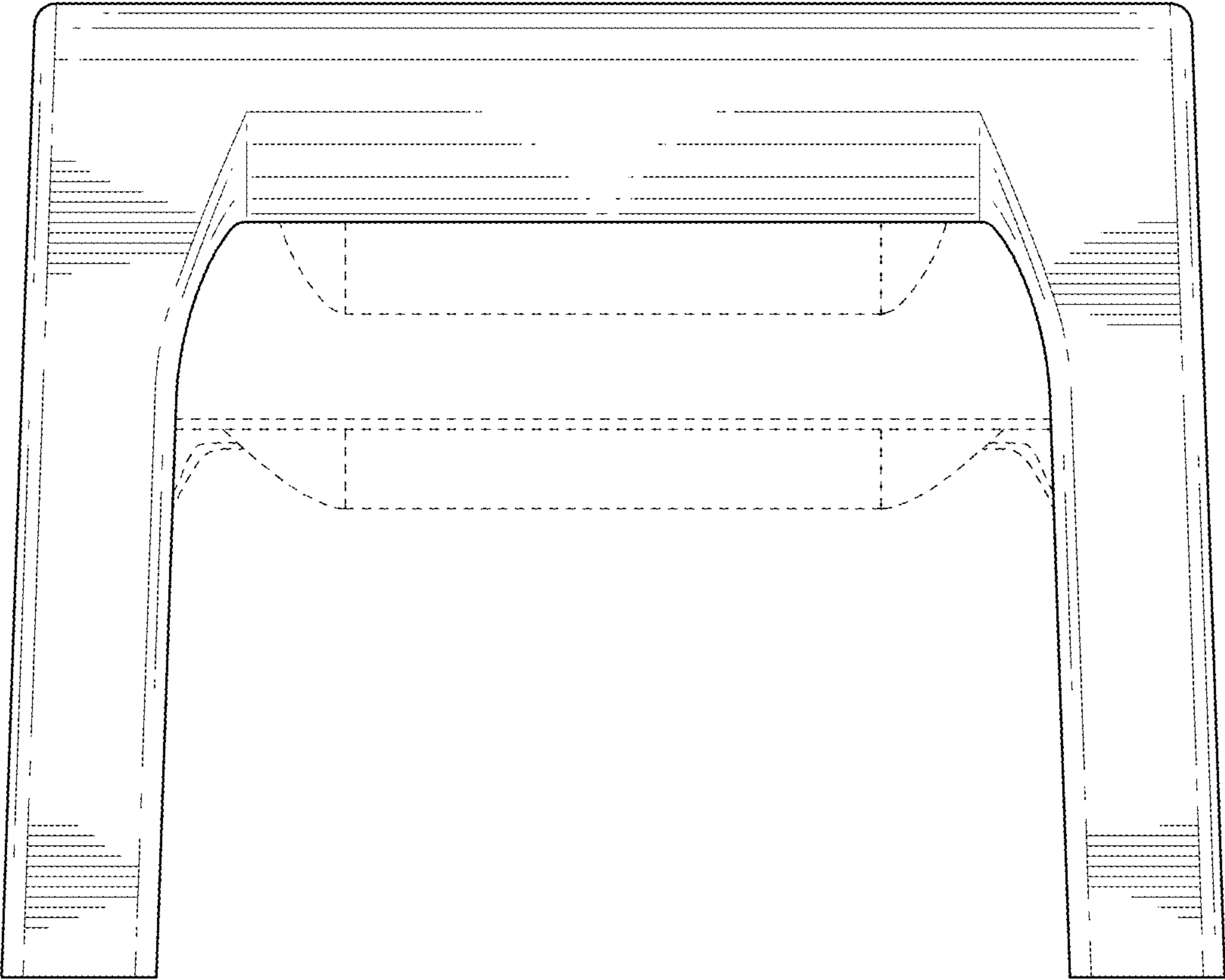


FIG. 3

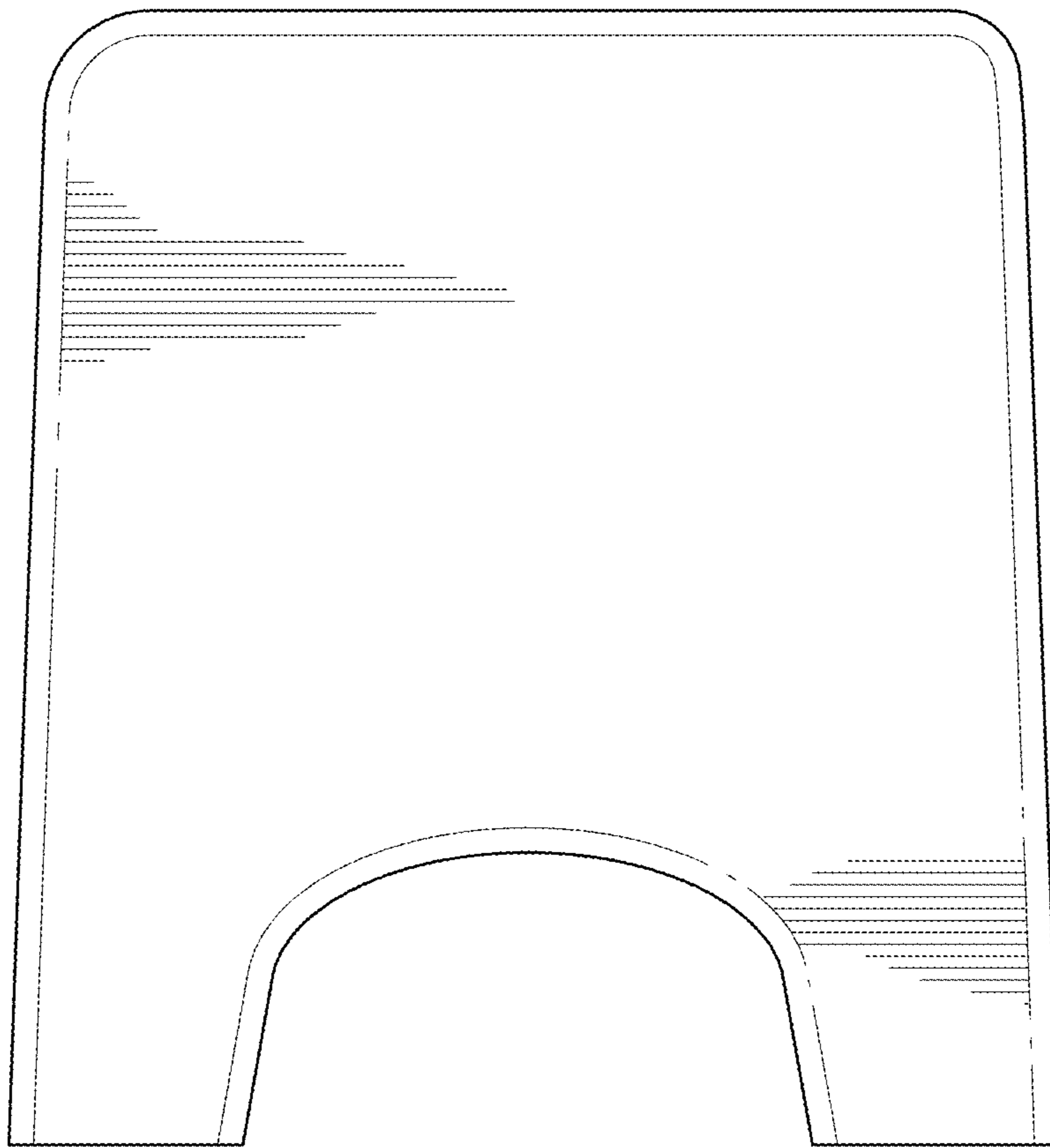


FIG. 4

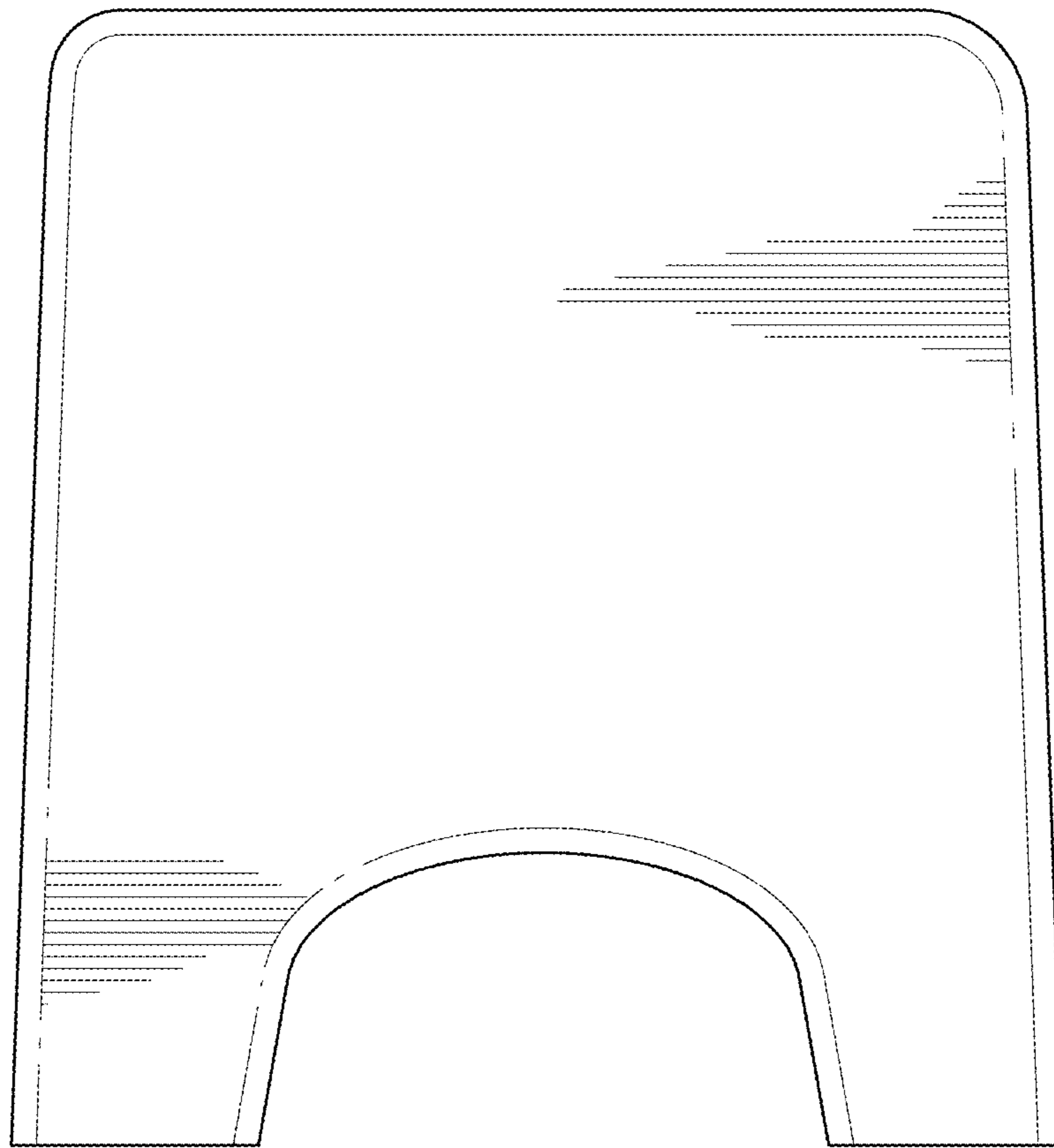


FIG. 5

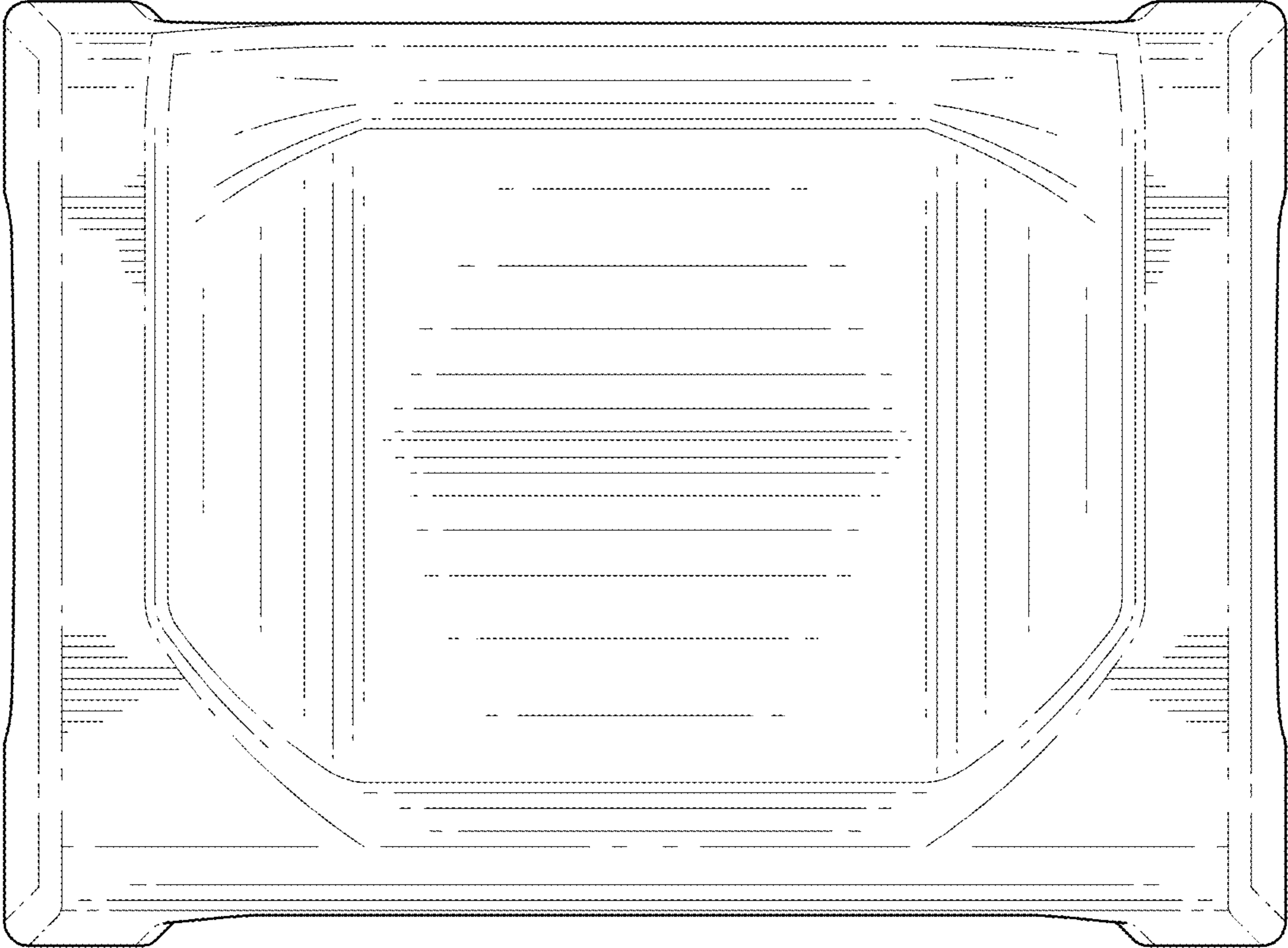


FIG. 6

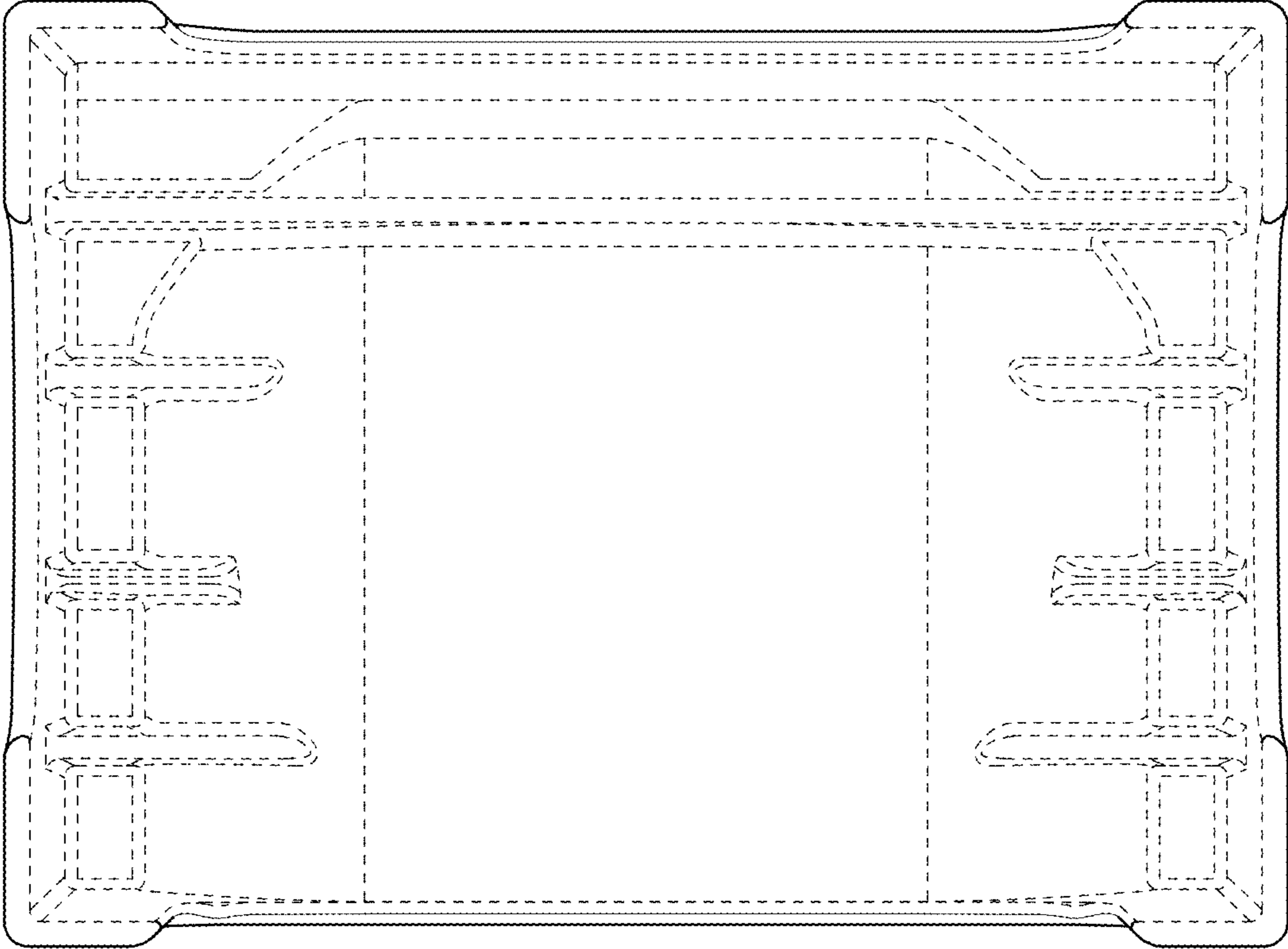


FIG. 7