



US00D892412S

(12) **United States Design Patent** (10) **Patent No.:** **US D892,412 S**
Guo (45) **Date of Patent:** **** Aug. 4, 2020**

(54) **DOG CUP**

(71) Applicant: **Zehang Guo**, Shantou (CN)

(72) Inventor: **Zehang Guo**, Shantou (CN)

(**) Term: **15 Years**

(21) Appl. No.: **29/674,715**

(22) Filed: **Dec. 24, 2018**

(51) **LOC (12) Cl.** **30-07**

(52) **U.S. Cl.**

USPC **D30/121**; D30/132

(58) **Field of Classification Search**

USPC D30/121, 122, 129–133; D3/202;
D9/435, 440, 443, 516, 522, 528, 531,
D9/545, 549, 564, 715, 716, 719

CPC A01K 5/00; A01K 9/00; A01K 5/0114;
A01K 5/0121; A01K 5/0135; A01K
7/005; A01K 7/00; A01K 39/04; A01K
39/0213

See application file for complete search history.

(56) **References Cited**

U.S. PATENT DOCUMENTS

| | | | | |
|-------------------|---------|-----------|-------|--------------------|
| D850,017 S * | 5/2019 | Brucato | | D30/132 |
| D861,258 S * | 9/2019 | Liang | | D30/132 |
| D863,694 S * | 10/2019 | Pan | | D30/132 |
| 2015/0298867 A1 * | 10/2015 | Sanderson | | A01K 7/00 215/6 |
| 2017/0127859 A1 * | 5/2017 | Hornung | | A45F 3/18 |
| 2018/0178969 A1 * | 6/2018 | Perlowitz | | A01K 5/00 |

OTHER PUBLICATIONS

“UPSKY Dog Water Bottle Portable Pet Water Bottle” available Sep. 30, 2019, [online], [site visited Oct. 23, 2019]. Retrieved from Internet, URL:https://www.amazon.com/UPSKY-Portable-Activated-Dispenser-Lightweight/product-reviews/B07QKS7MM6/ref=cm_cr_getr_d_paging_btm_next_12 (Year: 2019).*

“M&MKPET Dog Water Bottle” available May 2, 2018, [online], [site visited Oct. 23, 2019]. Retrieved from Internet, URL:https://www.amazon.com/MKPET-Walking-Portable-Dispenser-Silicone/product-reviews/B07BVMJBPR/ref=cm_cr_getr_d_paging_btm_next_82 (Year: 2018).*

“Quick Deal Box” available Apr. 10, 2018, [online], [site visited Oct. 23, 2019]. Retrieved from Internet, URL:https://www.youtube.com/watch?v=v-uJqNpm8Gw (Year: 2018).*

“Glory Collections” available Jun. 25, 2018, [online], [site visited Oct. 23, 2019]. Retrieved from Internet, URL:https://www.youtube.com/watch?v=yzRo794mrok (Year: 2018).*

“Dog Water Bottle” available Aug. 13, 2018, [online], [site visited Oct. 23, 2019]. Retrieved from Internet, URL:https://www.amazon.com/Bottle-Dispenser-Antibacterial-Outdoor-Drinking/product-reviews/B07D6CC1RF/ref=cm_cr_getr_d_paging_btm_next_2 (Year: 2018).*

* cited by examiner

Primary Examiner — Michael C Stout

Assistant Examiner — Katrina N Gonzalez

(74) *Attorney, Agent, or Firm* — Law Offices of Steven W. Weinrieb

(57) **CLAIM**

The ornamental design for a dog cup, as shown and described.

DESCRIPTION

FIG. 1 is a front, right side, top perspective view of the dog cup showing my new design;

FIG. 2 is a rear, left side, bottom perspective view thereof;

FIG. 3 is a front elevational view thereof;

FIG. 4 is a rear elevational view thereof;

FIG. 5 is a left side elevational view thereof;

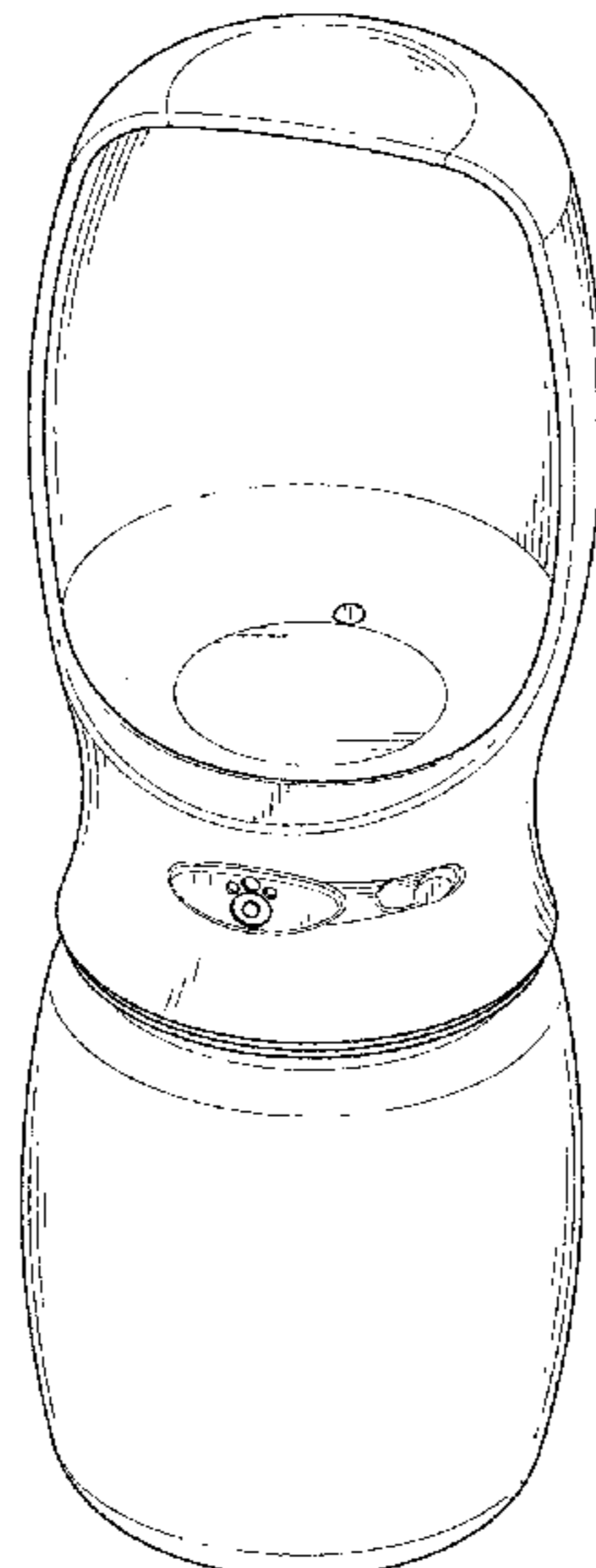
FIG. 6 is a right side elevational view thereof;

FIG. 7 is a top plan view thereof; and,

FIG. 8 is a bottom plan view thereof.

The broken lines illustrate environmental structure that forms no part of the claimed design.

1 Claim, 8 Drawing Sheets



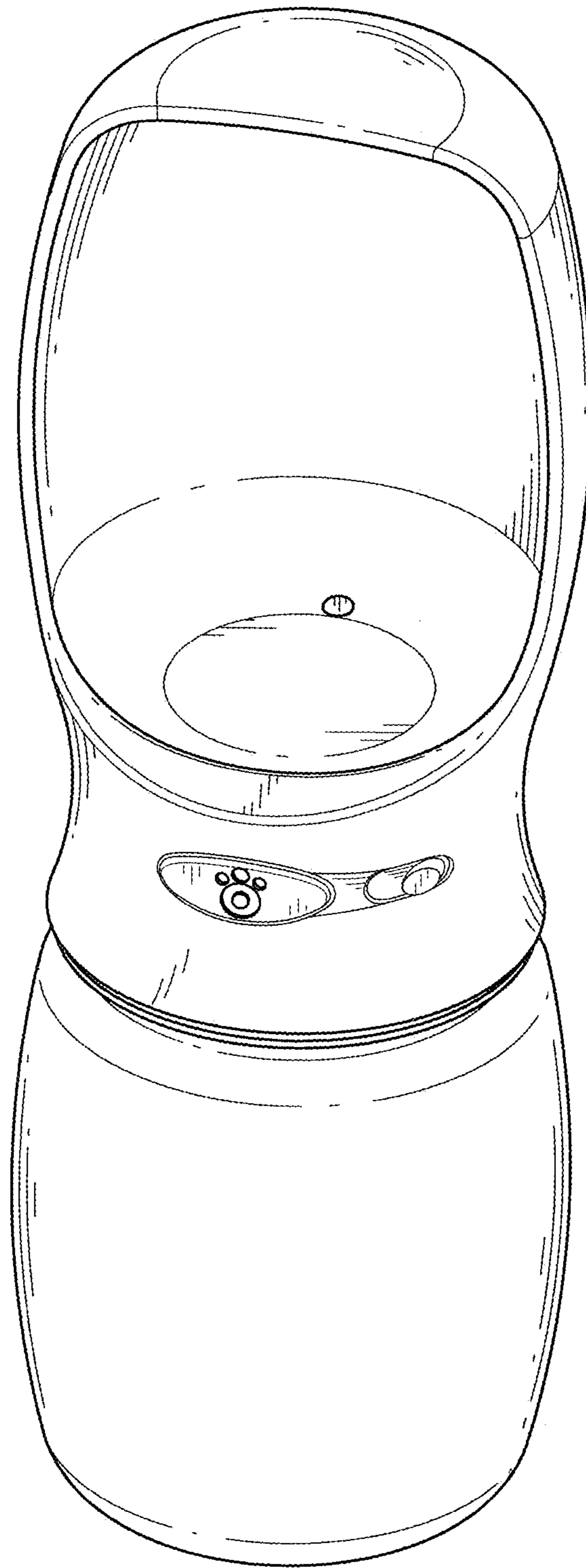


FIG. 1

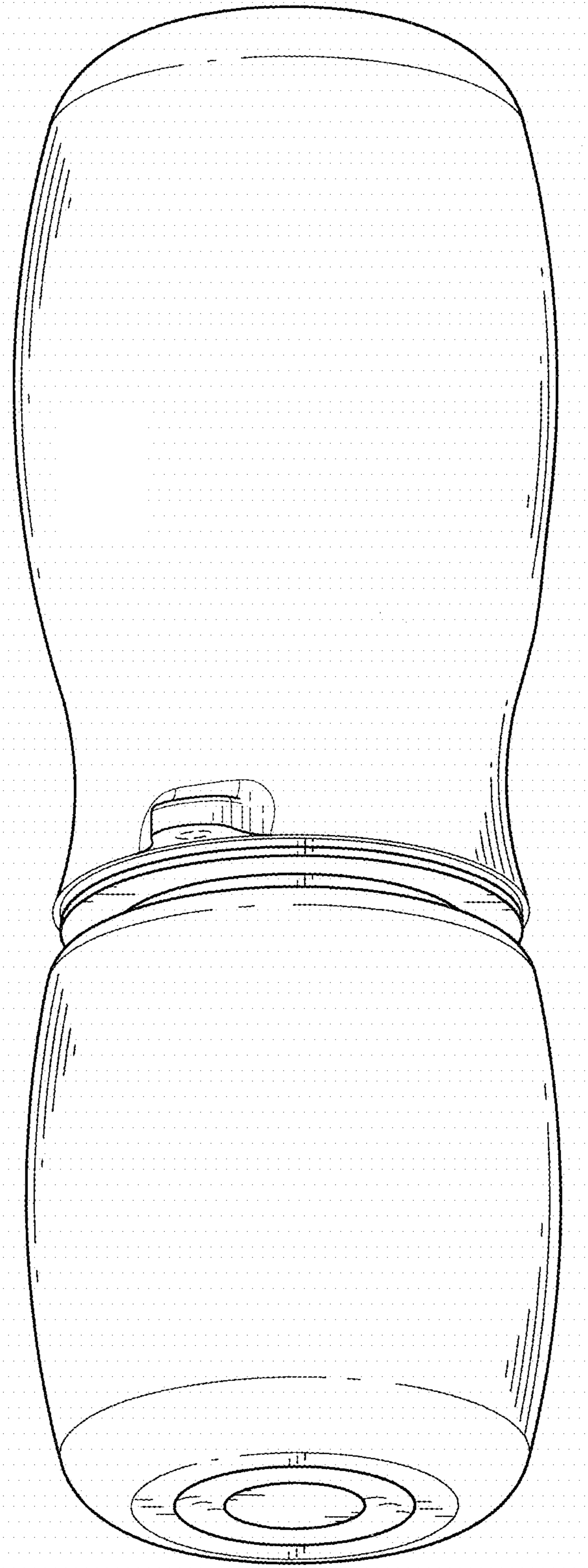


FIG. 2

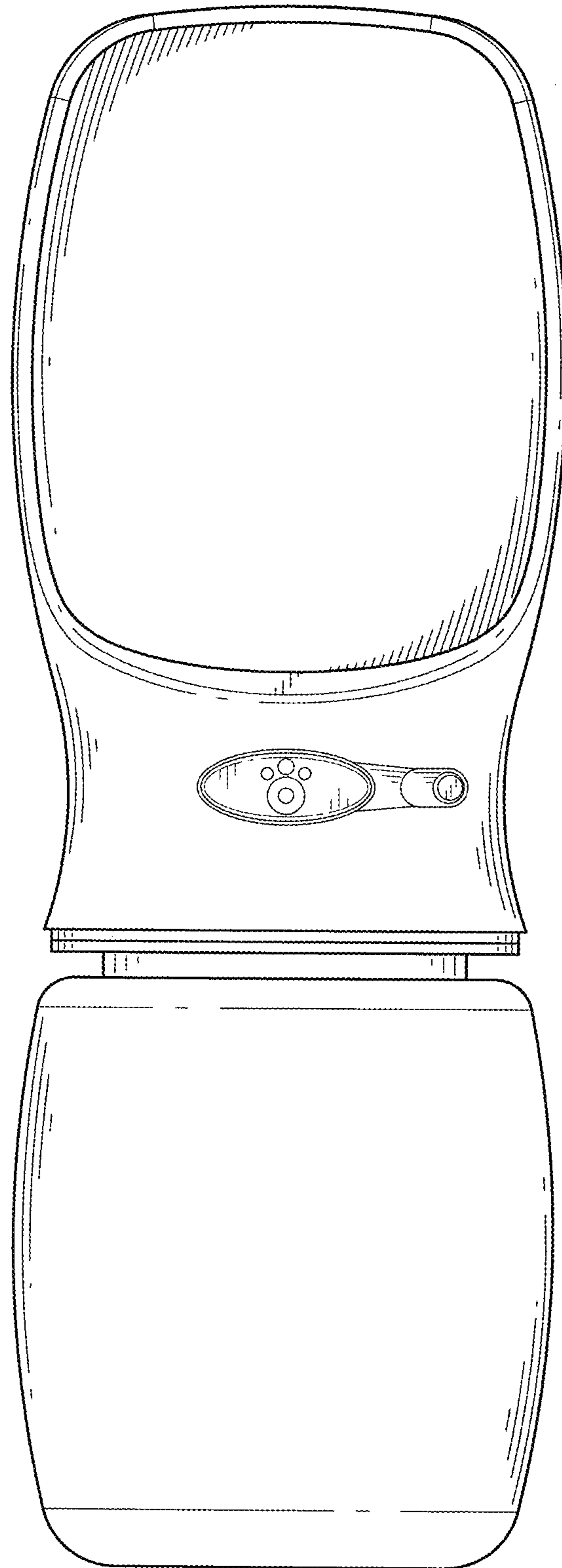


FIG. 3

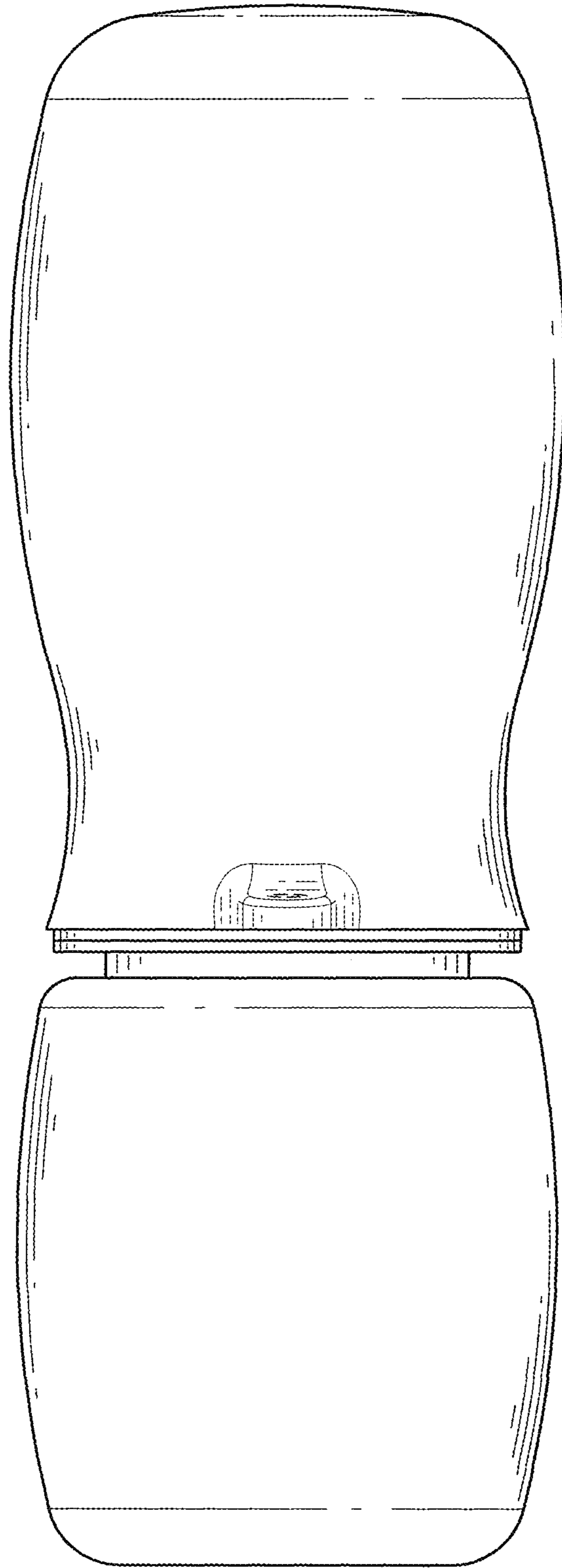


FIG. 4

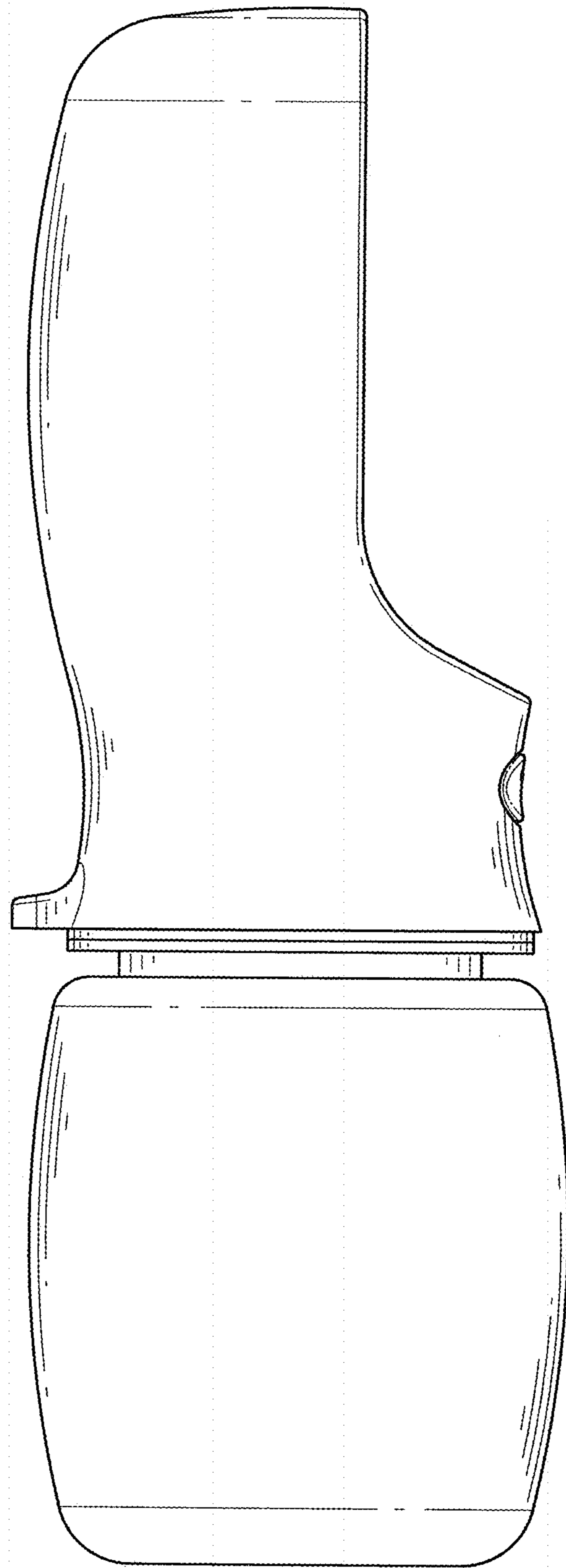


FIG. 5

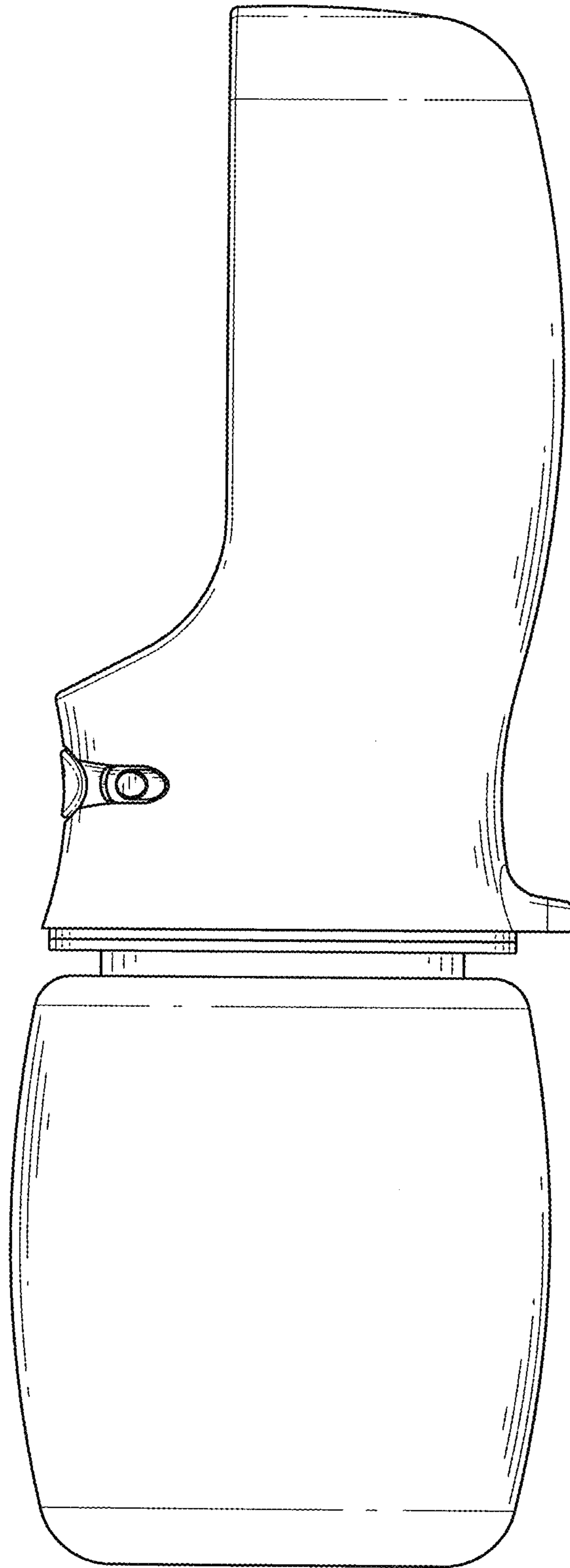


FIG. 6

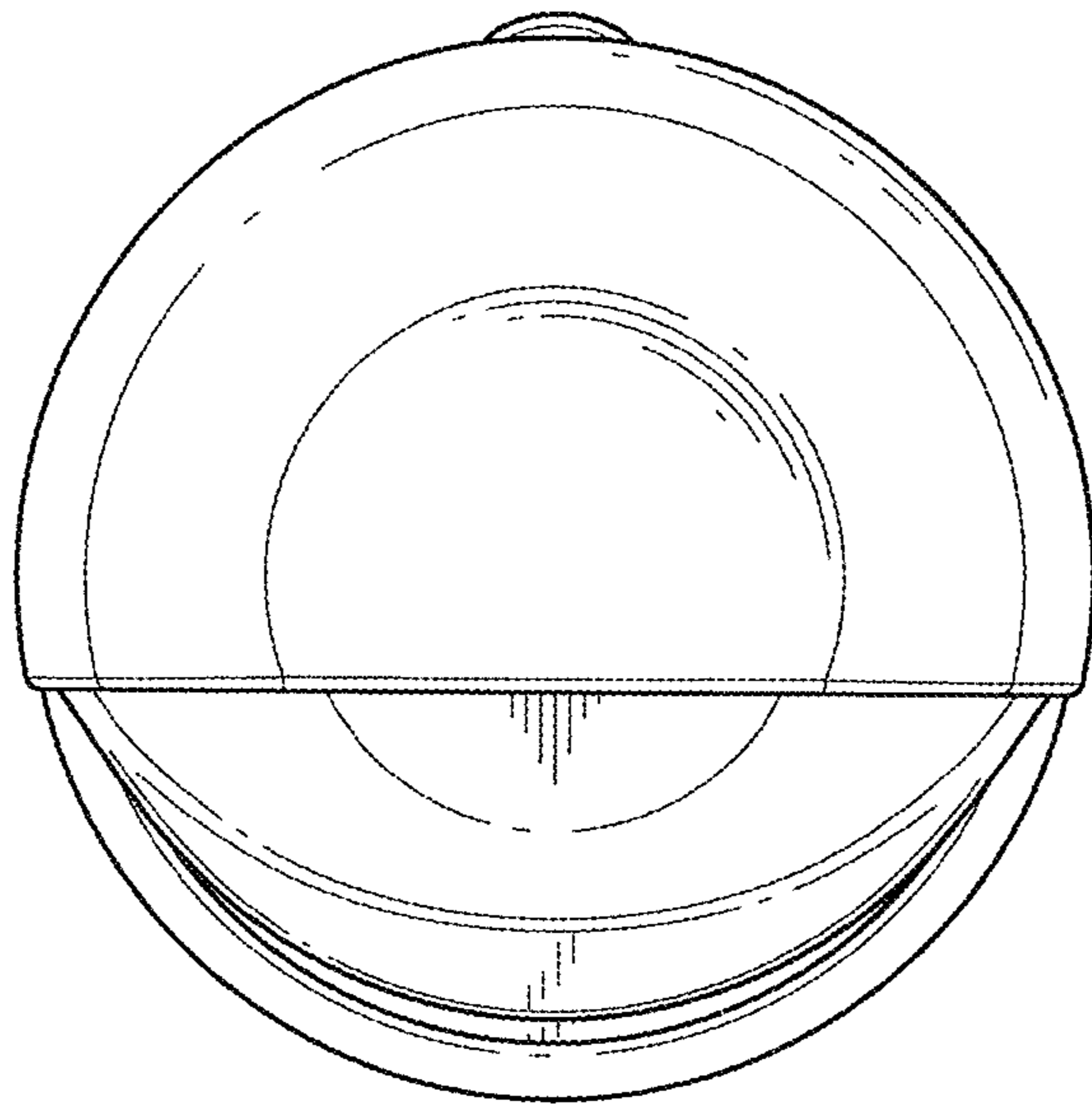


FIG. 7

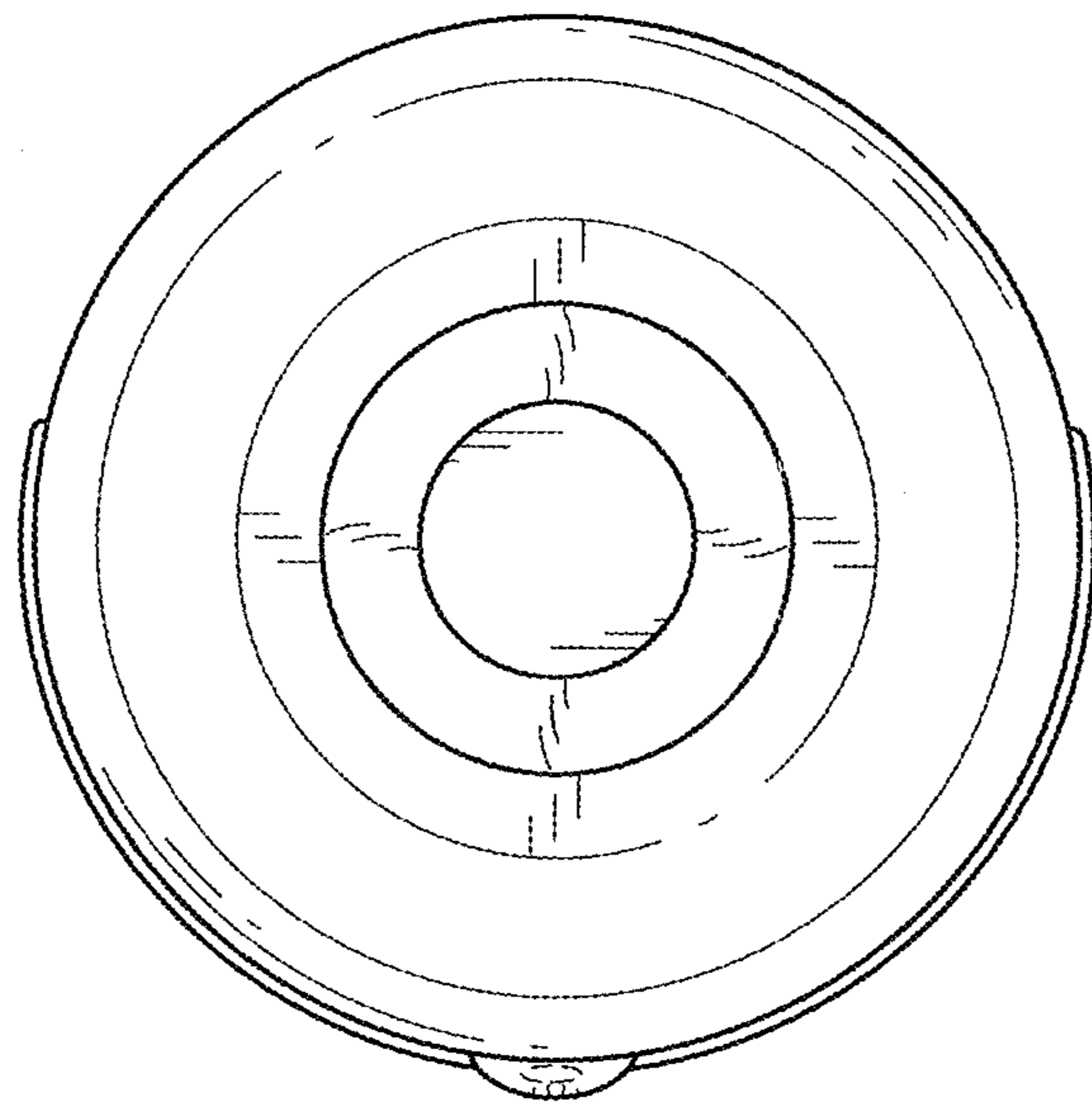


FIG. 8