



US00D892410S

(12) **United States Design Patent**
David

(10) **Patent No.:** **US D892,410 S**

(45) **Date of Patent:** **** Aug. 4, 2020**

(54) **DUST MASK**

(71) Applicant: **Alexandru David**, Bucharest (RO)

(72) Inventor: **Alexandru David**, Bucharest (RO)

(**) Term: **15 Years**

(21) Appl. No.: **29/674,866**

(22) Filed: **Dec. 27, 2018**

(51) **LOC (12) Cl.** **29-02**

(52) **U.S. Cl.**
USPC **D29/108**

(58) **Field of Classification Search**

USPC D29/100, 102, 105, 106, 107, 108, 110,
D29/122; D2/878, 880, 881; D24/110.1
CPC A42B 5/00; A42B 3/18; A42B 3/20; A42B
1/046; A61F 9/04; A61F 9/06; A61F
9/029; A41D 13/11; A41D 13/1107;
A41D 13/1161; A41D 13/1169; A41D
13/1176; A41G 7/00; A41G 7/02

See application file for complete search history.

(56) **References Cited**

U.S. PATENT DOCUMENTS

3,333,585 A * 8/1967 Barghini A41D 13/1146
128/201.13
3,603,315 A * 9/1971 Becker, III A41D 13/1115
128/206.19
3,884,227 A * 5/1975 Lutz A41D 13/1115
128/206.19
4,419,993 A * 12/1983 Petersen A41D 13/1123
128/201.15
4,635,628 A * 1/1987 Hubbard A41D 13/1115
128/201.17
4,867,148 A * 9/1989 Gomez A41D 13/11
128/858
4,920,960 A * 5/1990 Hubbard A41D 13/1115
128/206.12
4,941,470 A * 7/1990 Hubbard A41D 13/1115
128/206.13

4,969,457 A * 11/1990 Hubbard A41D 13/1115
128/206.12
5,307,796 A * 5/1994 Kronzer A41D 13/1146
128/206.16
5,553,608 A * 9/1996 Reese A41D 13/1115
128/206.19
5,636,628 A * 6/1997 Barnum A41D 13/1115
128/206.12
5,706,804 A * 1/1998 Baumann A41D 13/1115
128/206.12
5,803,075 A * 9/1998 Yavitz A62B 23/025
128/206.25
5,813,398 A * 9/1998 Baird A41D 13/1115
128/201.15
D400,674 S * 11/1998 Miura D24/110.1
5,891,508 A * 4/1999 Barnum A41D 13/1115
128/206.12
5,927,280 A * 7/1999 Miyake A41D 13/1115
128/206.12

(Continued)

Primary Examiner — Elizabeth J Oswecki

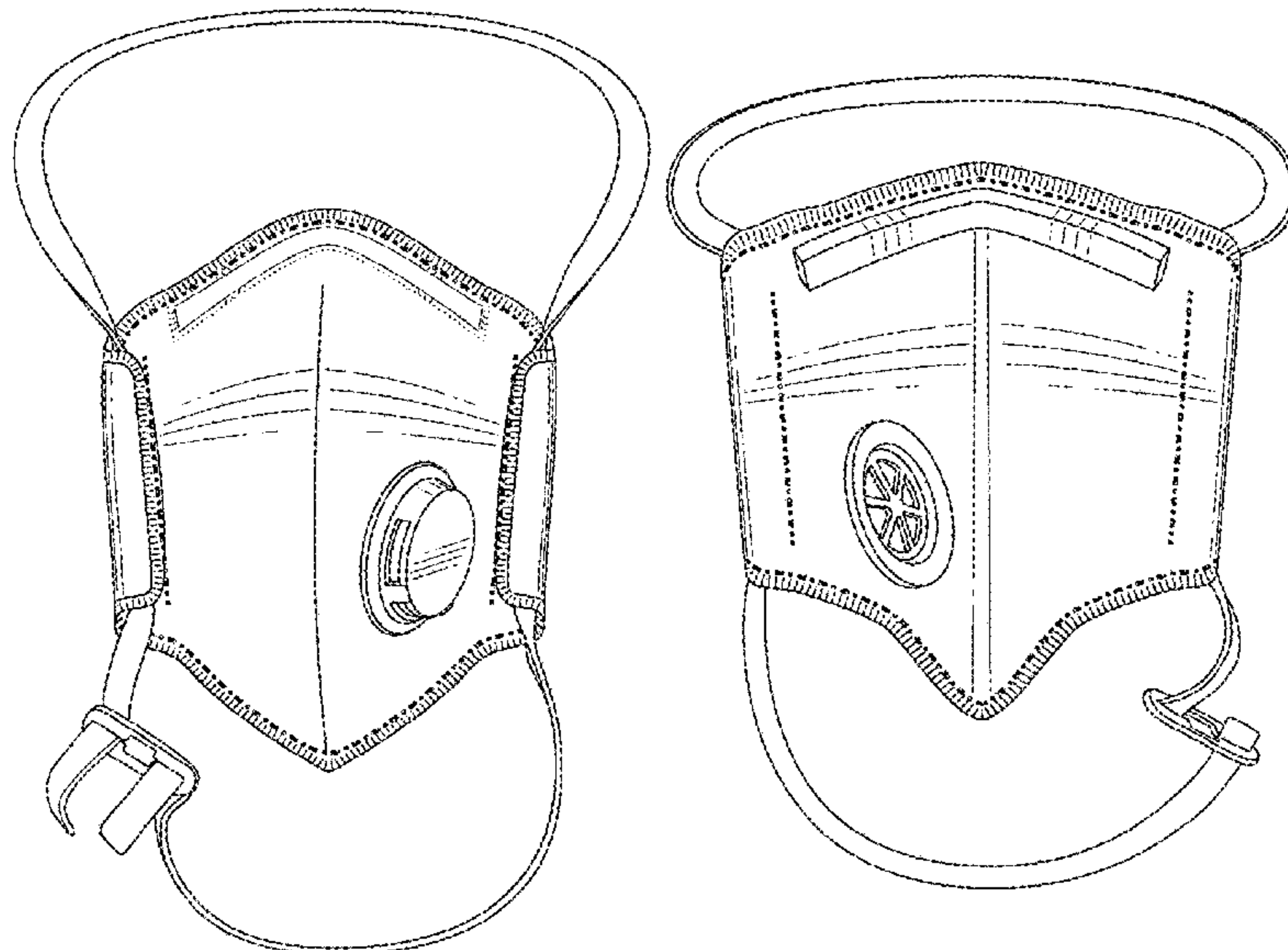
(57) **CLAIM**

The ornamental design for a dust mask, as shown and described.

DESCRIPTION

FIG. 1 is a perspective view of a dust mask showing my new design;
FIG. 2 is a front view thereof;
FIG. 3 is a rear view thereof;
FIG. 4 is a left side view thereof;
FIG. 5 is a right side view thereof;
FIG. 6 is a top view thereof; and,
FIG. 7 is a bottom view thereof.
The dash-dot lines represent a decorative stitch pattern on the surface of the mask in FIGS. 1-7. The even dashed line shown on the front of the mask in FIGS. 1, 2 and 4-6 form no part of the claimed design.

1 Claim, 7 Drawing Sheets



(56)

References Cited

U.S. PATENT DOCUMENTS

D420,769 S *	2/2000	White	D24/110.1	2008/0295843 A1 *	12/2008	Haas	A41D 13/1192
6,062,220 A *	5/2000	Whitaker	A41D 13/11					128/205.27
					2009/0205666 A1 *	8/2009	Bowen	A41D 13/1107
6,394,090 B1 *	5/2002	Chen	A41D 13/113					128/206.13
					2009/0320849 A1 *	12/2009	Biedermann	A41D 13/1192
D511,209 S *	11/2005	Callan	D24/110.1					128/206.28
7,004,167 B2 *	2/2006	Cheng	A41D 13/1192	2010/0218774 A1 *	9/2010	Flaherty	A41D 13/1138
									128/863
7,290,545 B2 *	11/2007	Kleman	A41D 13/1115	2011/0308525 A1 *	12/2011	Lu	A41D 13/1115
									128/206.19
D636,537 S *	4/2011	Ladua	D29/108	2012/0272973 A1 *	11/2012	Palomo	A41D 13/1115
D638,171 S *	5/2011	Goranov	D29/108					128/863
D640,011 S *	6/2011	Teng	D29/108	2014/0076334 A1 *	3/2014	Cheng	A61B 46/00
8,066,006 B2 *	11/2011	Daugaard	A41D 13/11					128/857
					2014/0182600 A1 *	7/2014	Duffy	A41D 13/1115
8,171,933 B2 *	5/2012	Xue	A62B 23/025					128/863
					2014/0224261 A1 *	8/2014	Tsuei	A62B 23/025
8,342,180 B2 *	1/2013	Martin	A62B 23/025					128/863
					2014/0237695 A1 *	8/2014	Al Malki	A41D 13/11
D693,062 S *	11/2013	Bowen	D29/108					2/9
D737,002 S *	8/2015	Olson	D29/108	2014/0326255 A1 *	11/2014	Teng	A41D 13/1115
9,386,813 B2 *	7/2016	Nagao	A41D 13/1115					128/863
D777,988 S *	1/2017	Miros	D29/108	2015/0056102 A1 *	2/2015	Yamada	B01D 39/16
D782,029 S *	3/2017	Kuhn	D24/110.1					422/120
9,655,392 B2 *	5/2017	Mekler	A41D 13/1123	2015/0216241 A1 *	8/2015	Lee	A41D 13/1192
9,770,058 B2 *	9/2017	Angadjivand	A41D 13/113					128/863
D803,391 S *	11/2017	Reese	D24/110.1	2016/0015098 A1 *	1/2016	Conlon	A62B 23/025
9,868,002 B2 *	1/2018	Duffy	A62B 23/025					128/863
D822,195 S *	7/2018	Kwong	D24/110.1	2016/0029715 A1 *	2/2016	Zheng	A41D 13/11
D848,678 S *	5/2019	Andrews	D29/108					128/863
2004/0173216 A1 *	9/2004	Park	A41D 13/1161	2016/0029716 A1 *	2/2016	Duncan	A41D 13/11
									128/863
					2016/0151650 A1 *	6/2016	Reese	A41D 13/1161
									128/863
					2016/0235136 A1 *	8/2016	Palomo	A41D 13/1161

* cited by examiner

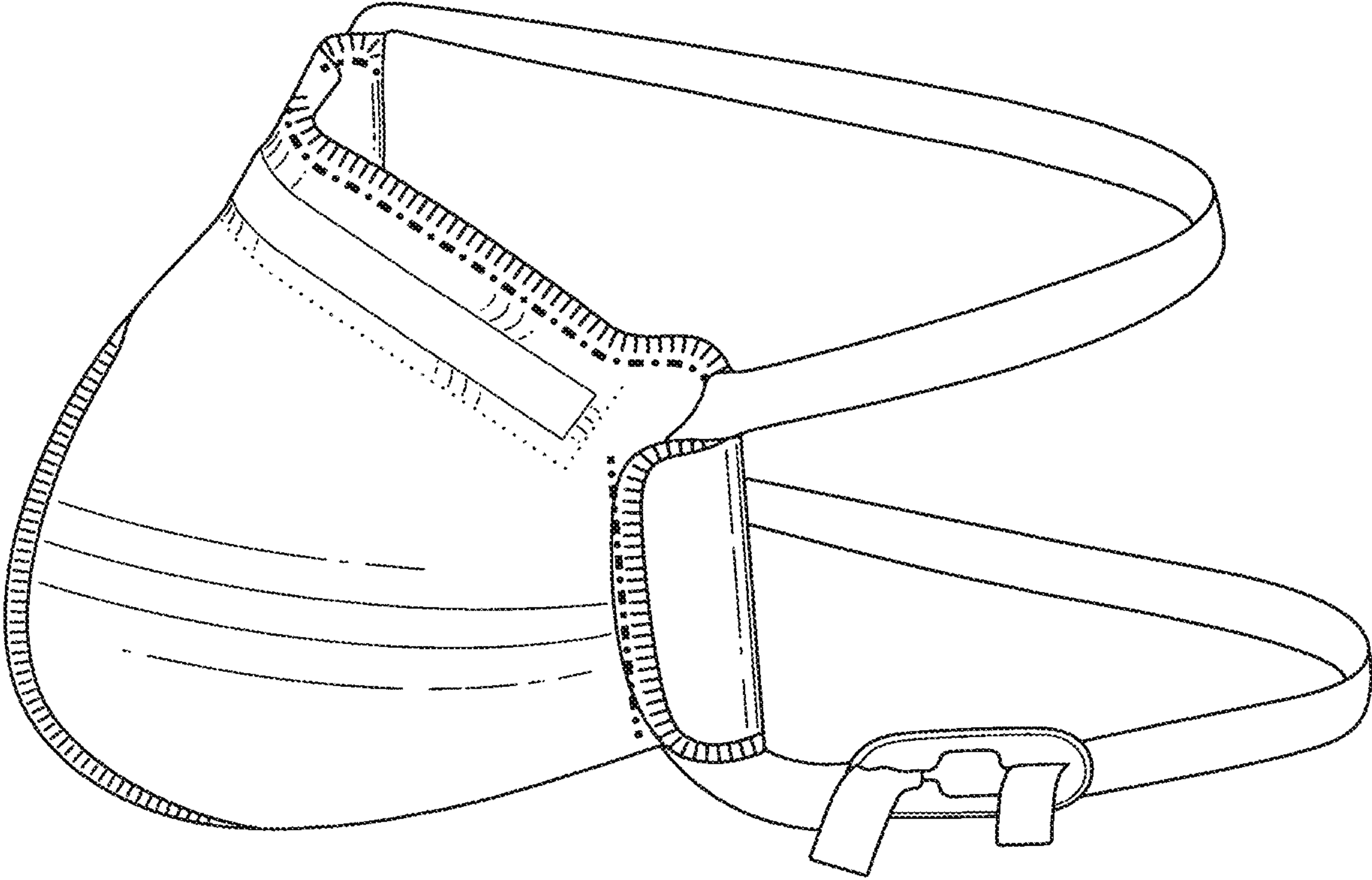


FIG. 1

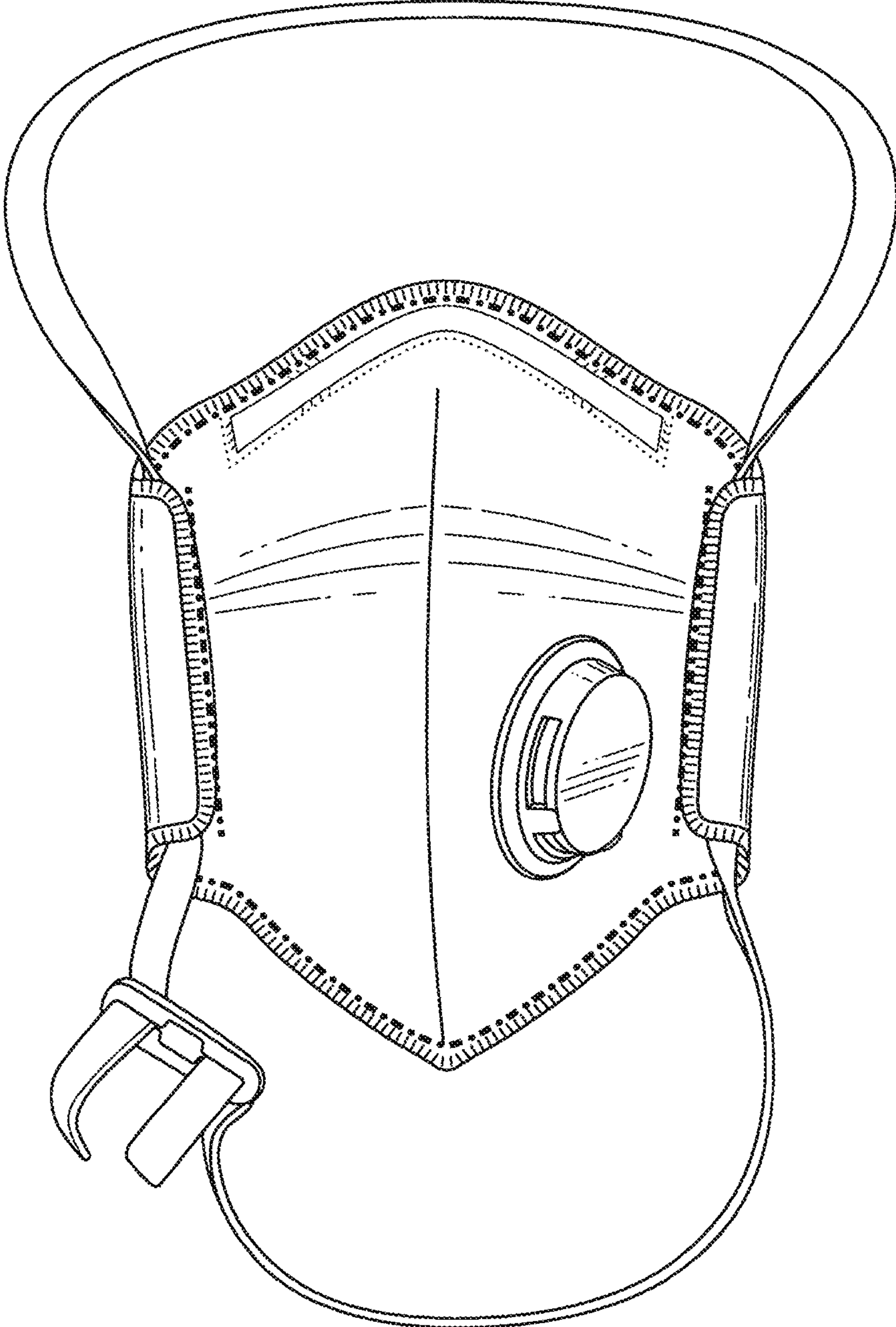


FIG. 2

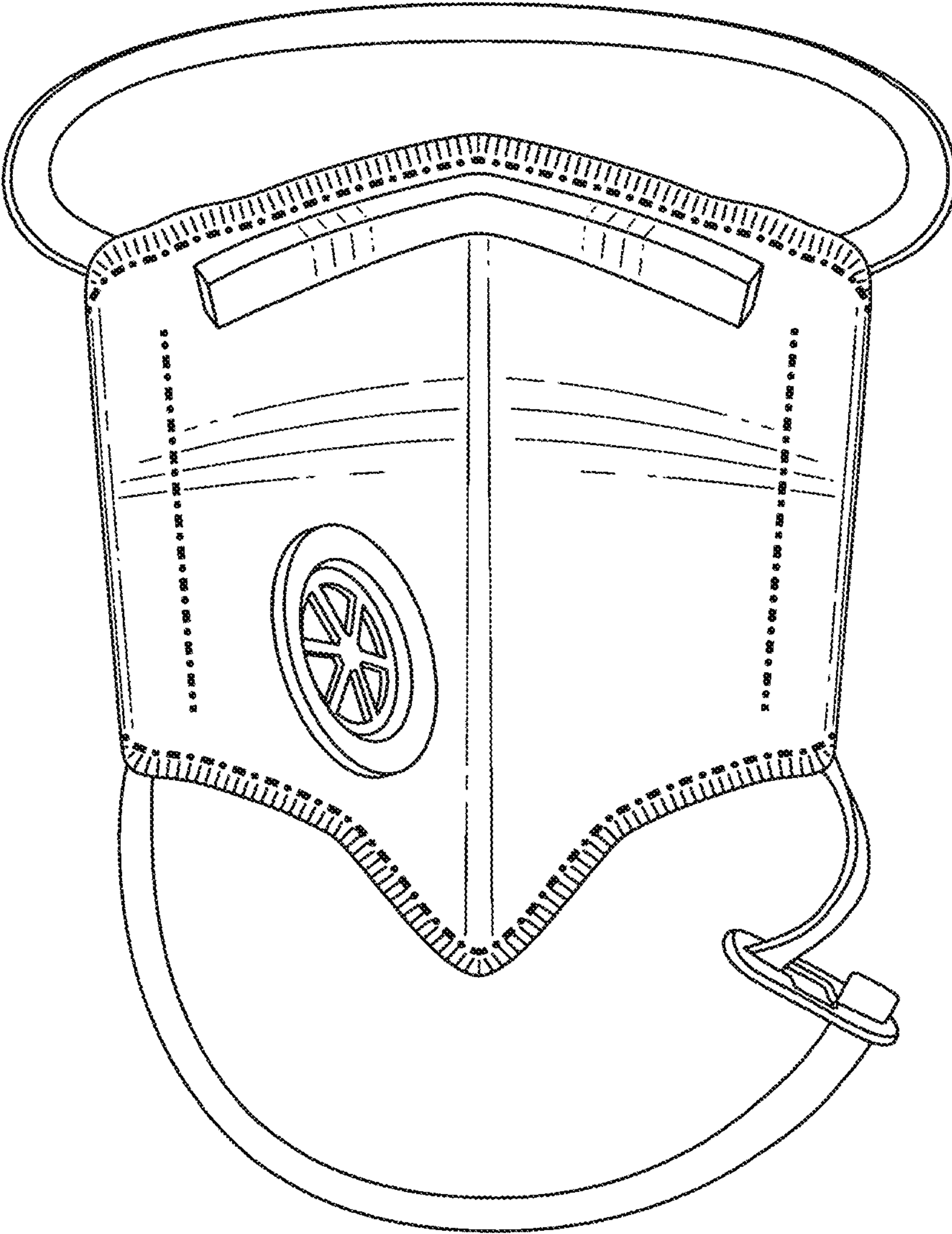


FIG. 3

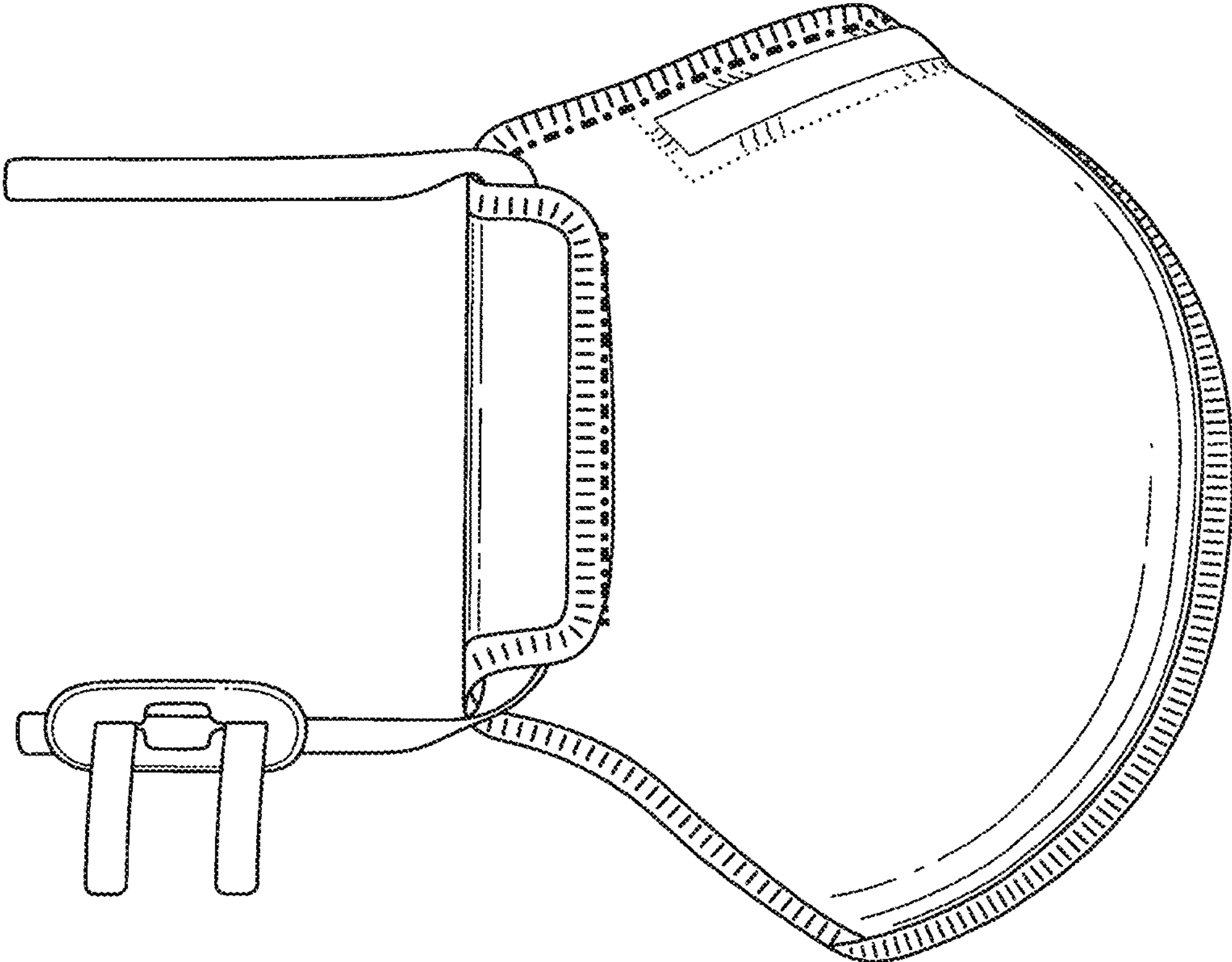


FIG. 4

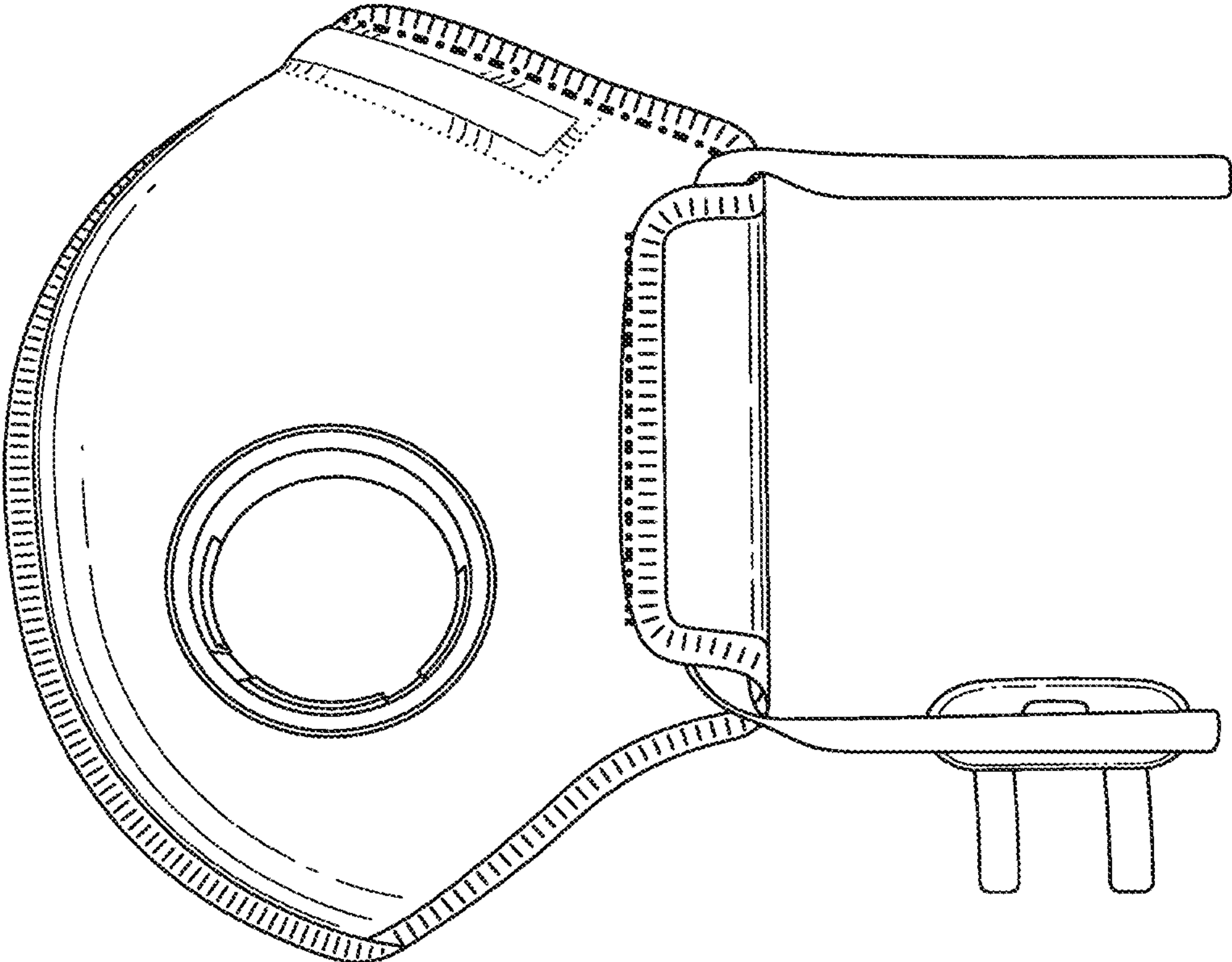


FIG. 5

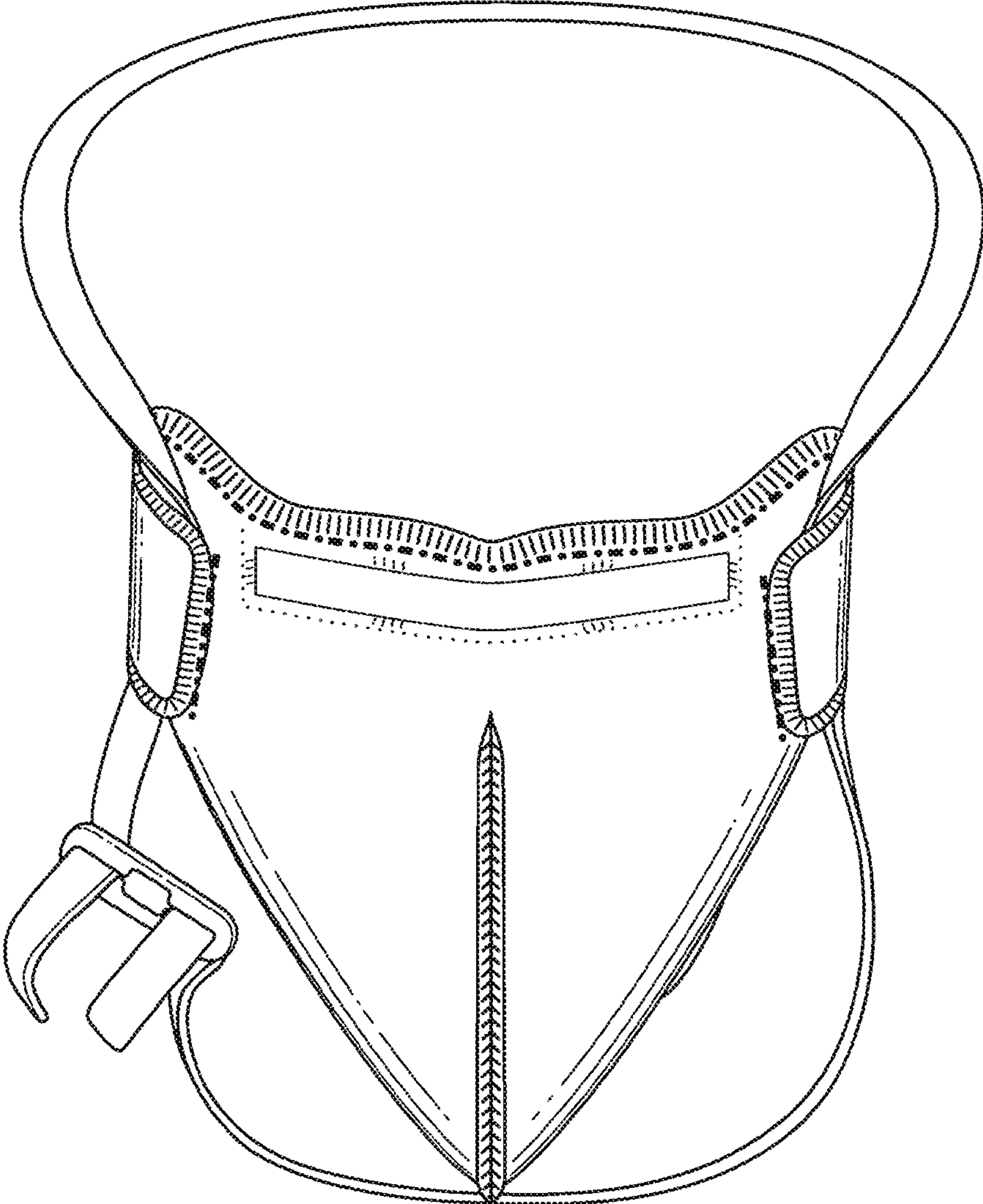


FIG. 6

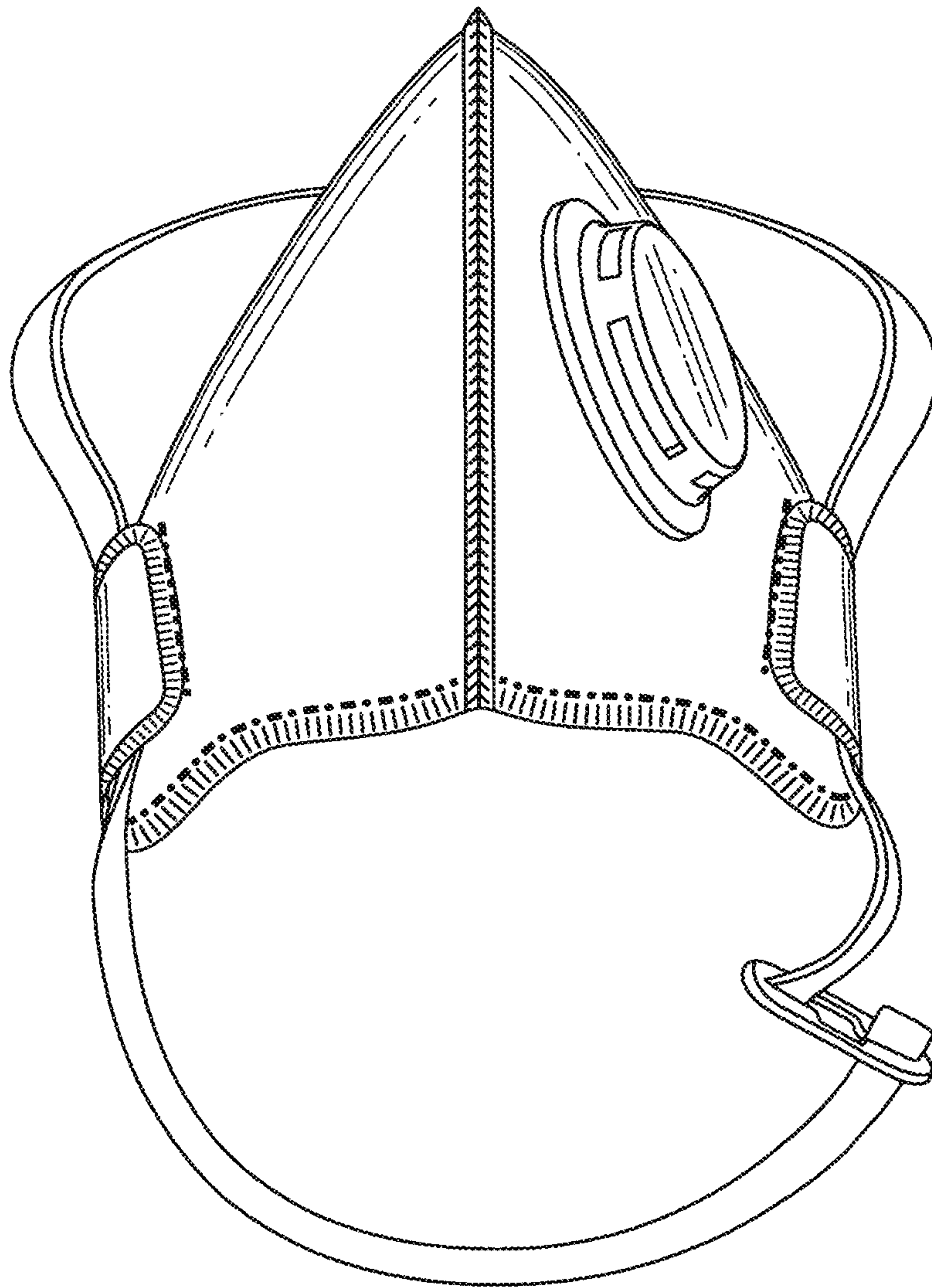


FIG. 7