



US00D892409S

(12) **United States Design Patent** (10) **Patent No.:** **US D892,409 S**  
**Taylor** (45) **Date of Patent:** **\*\* Aug. 4, 2020**

(54) **SAFETY RESTRAINT**  
(71) Applicant: **EMS SOLUTIONS LLC**, Mineola, NY (US)  
(72) Inventor: **Graham Taylor**, Mansfield (GB)  
(\*\*) Term: **15 Years**  
(21) Appl. No.: **35/505,984**  
(22) Filed: **Apr. 25, 2018**  
(80) **Hague Agreement Data**  
Int. Filing Date: **Apr. 25, 2018**  
Int. Reg. No.: **DM/103426**  
Int. Reg. Date: **Apr. 25, 2018**  
Int. Reg. Pub. Date: **Nov. 9, 2018**  
(51) **LOC (12) Cl.** ..... **29-02**  
(52) **U.S. Cl.**  
USPC ..... **D29/101.4**  
(58) **Field of Classification Search**  
USPC ..... D29/101.1-101.5; 297/464-468, 484, 297/485  
CPC ..... A47D 15/006; B60R 22/105  
See application file for complete search history.

6,194,687 B1 \* 2/2001 Joseph ..... B60N 2/28 219/212  
D447,838 S \* 9/2001 Masuda ..... D29/101.1  
6,364,417 B1 \* 4/2002 Silverman ..... A47D 15/006 297/464  
D462,497 S \* 9/2002 Talamantes ..... D29/101.1  
D548,401 S \* 8/2007 Tinao ..... D29/101.4  
D560,313 S \* 1/2008 Frank ..... D29/101.1  
D586,049 S \* 2/2009 Boardman ..... D29/101.1  
D588,752 S \* 3/2009 Lesley ..... D29/101.4  
D590,545 S \* 4/2009 Lesley ..... D29/101.4  
D604,380 S \* 11/2009 Garcia ..... D21/804  
D608,055 S \* 1/2010 Rieger ..... D29/101.1  
D615,249 S \* 5/2010 McGuigan ..... D29/101.1  
D636,964 S \* 4/2011 Thomas ..... D29/101.1  
D641,524 S \* 7/2011 Graham ..... D29/101.4  
D686,777 S \* 7/2013 Borgen ..... D29/101.1  
D725,825 S \* 3/2015 Seman ..... D29/101.1  
D732,118 S \* 6/2015 Hamilton ..... D21/662  
D770,139 S \* 11/2016 Konishi ..... D2/831  
D776,355 S \* 1/2017 Farkash ..... D29/101.4  
D843,662 S \* 3/2019 Green-Mullins ..... D29/101.1  
D851,334 S \* 6/2019 Green Mullins ..... D29/101.1

\* cited by examiner

Primary Examiner — Richard E Chilcot

(57) **CLAIM**

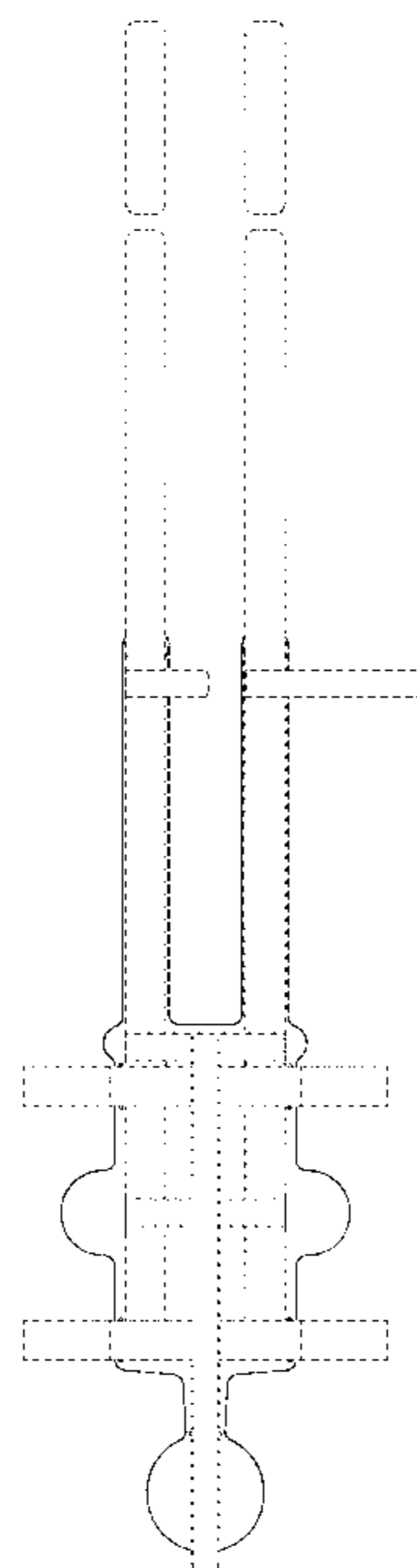
The ornamental design for a safety restraint, as shown and described.

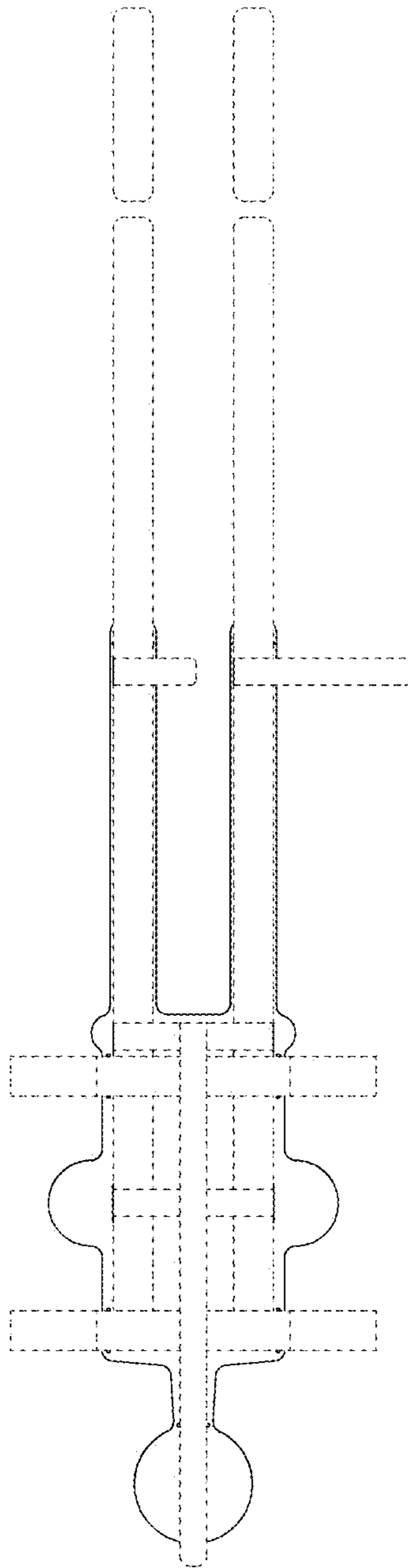
(56) **References Cited**  
U.S. PATENT DOCUMENTS  
D339,217 S \* 9/1993 McCue ..... D29/101.1  
D376,872 S \* 12/1996 Stroud ..... D29/101.1  
D377,544 S \* 1/1997 Baker ..... D2/624  
D391,682 S \* 3/1998 Palembang ..... D29/101.1  
D404,845 S \* 1/1999 McIntyre ..... D29/101.1  
D417,753 S \* 12/1999 Wiley ..... D29/101.1  
6,009,839 A \* 1/2000 Kohn ..... A47D 13/086 119/770

**DESCRIPTION**

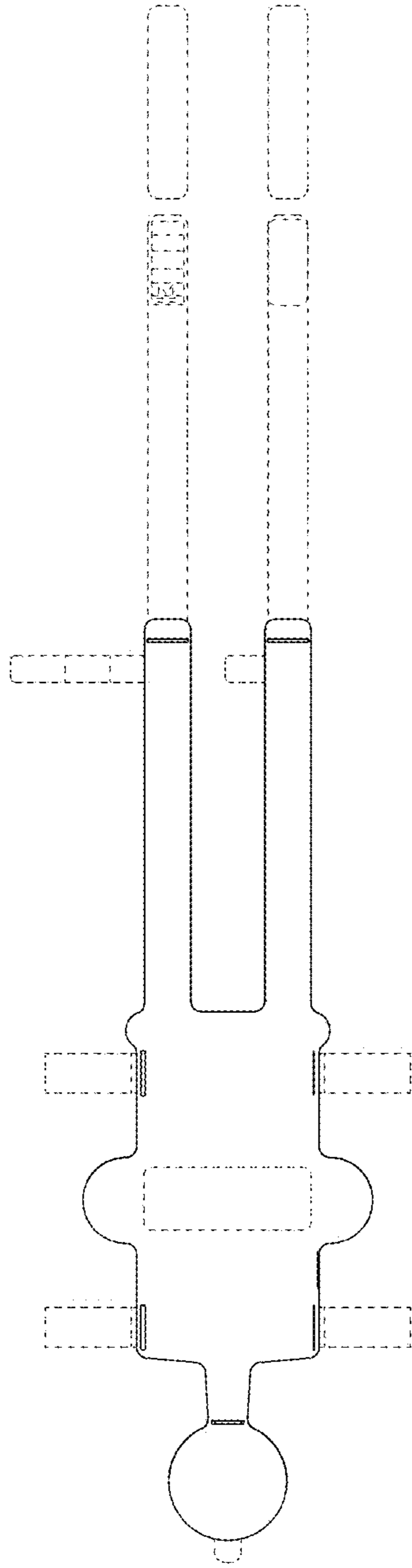
1. Safety restraint  
**1.1** : Back  
**1.2** : Front  
The broken lines show portions of the design that form no part of the claimed design.

**1 Claim, 2 Drawing Sheets**





**1.1**



1.2