



US00D892405S

(12) **United States Design Patent**
Huang

(10) **Patent No.:** **US D892,405 S**

(45) **Date of Patent:** **** Aug. 4, 2020**

(54) **HAIR CURLER**

(71) Applicant: **Guangdong Huanengda Electrical appliances Co., LTD., Jieyang (CN)**

(72) Inventor: **Huaqun Huang, Jieyang (CN)**

(73) Assignee: **GUANGDONG HUANENGDA ELECTRICAL APPLIANCES CO., LTD., Jieyang (CN)**

(**) Term: **15 Years**

(21) Appl. No.: **29/719,045**

(22) Filed: **Dec. 31, 2019**

(51) **LOC (12) Cl.** **28-03**

(52) **U.S. Cl.**
USPC **D28/35**

(58) **Field of Classification Search**
USPC D28/35
CPC A45D 2001/004; A45D 2/36-367; A45D 2/02; A45D 2/12; A45D 2/122; A45D 2/38; A45D 2/40; A45D 2/01; A45D 1/28; A45D 1/00; A45D 1/06; A45D 1/14; A45D 1/16; A45D 2001/045; A45D 1/04

See application file for complete search history.

(56) **References Cited**

U.S. PATENT DOCUMENTS

8,132,571	B1 *	3/2012	Jackson	A45D 1/04 132/211
D696,456	S *	12/2013	Julemont	D28/35
D717,000	S *	11/2014	Julemont	D28/35
D743,624	S *	11/2015	Richmond	D28/35
9,185,957	B2 *	11/2015	Richmond	A45D 2/36
D754,396	S *	4/2016	Keong	D28/35
D759,306	S *	6/2016	Delassus	D28/35
D783,897	S *	4/2017	Kong	D28/35
D797,994	S *	9/2017	Yan	D28/35
D873,484	S *	1/2020	Julemont	D28/35

D873,485	S *	1/2020	Julemont	D28/35
10,537,162	B2 *	1/2020	Yeung	A45D 2/36
2005/0268933	A1 *	12/2005	Kimata	A45D 2/10 132/238
2013/0025621	A1 *	1/2013	De Benedictis	A45D 2/02 132/237
2015/0114425	A1 *	4/2015	Park	A45D 1/04 132/229
2015/0196105	A1 *	7/2015	Leung	A45D 1/04 132/228
2018/0255898	A1 *	9/2018	Bonnemaire	A45D 2/02
2019/0328100	A1 *	10/2019	Duan	A45D 6/02

(Continued)

OTHER PUBLICATIONS

Chi Spin N Curl, www.amazon.com, reviewed as early as Apr. 2018, 1 page (Year: 2018).*

(Continued)

Primary Examiner — Jennifer Rivard

(74) *Attorney, Agent, or Firm* — Dragon Sun Law Firm, PC; Jinggao Li, Esq.

(57) **CLAIM**

The ornamental design for a hair curler, as shown and described.

DESCRIPTION

FIG. 1 is a perspective view of a hair curler showing my new design;

FIG. 2 is another perspective view thereof;

FIG. 3 is a front view thereof;

FIG. 4 is a rear view thereof;

FIG. 5 is a left side view thereof;

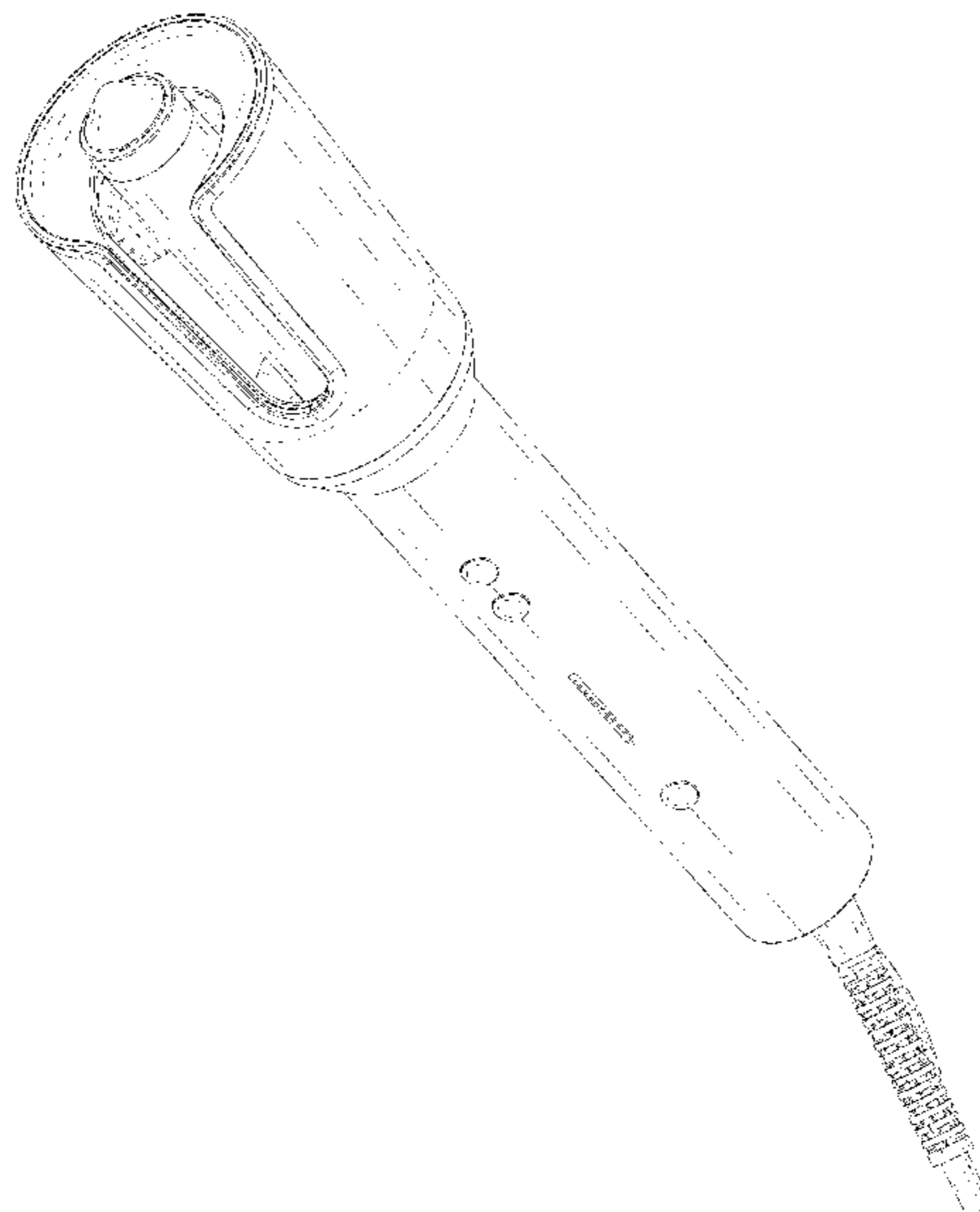
FIG. 6 is a right side view thereof;

FIG. 7 is a top plan view thereof; and,

FIG. 8 is a bottom plan view thereof.

The broken lines in the drawings illustrate portions of the hair curler and form no part of the claimed design.

1 Claim, 8 Drawing Sheets



(56)

References Cited

U.S. PATENT DOCUMENTS

2020/0060405 A1* 2/2020 Wang A45D 1/28

OTHER PUBLICATIONS

Ibeautyliss hair curler, www.amazon.com, reviewed as early as Jan. 18, 2020, 1 page (Year: 2020).*

Lena Geniecurl, www.amazon.com, reviewed as early as Oct. 2019, 1 page (Year: 2019).*

Etekcitey Hair Curler, www.amazon.com, reviewed as early as Jan. 31, 2020 (Year: 2020).*

* cited by examiner

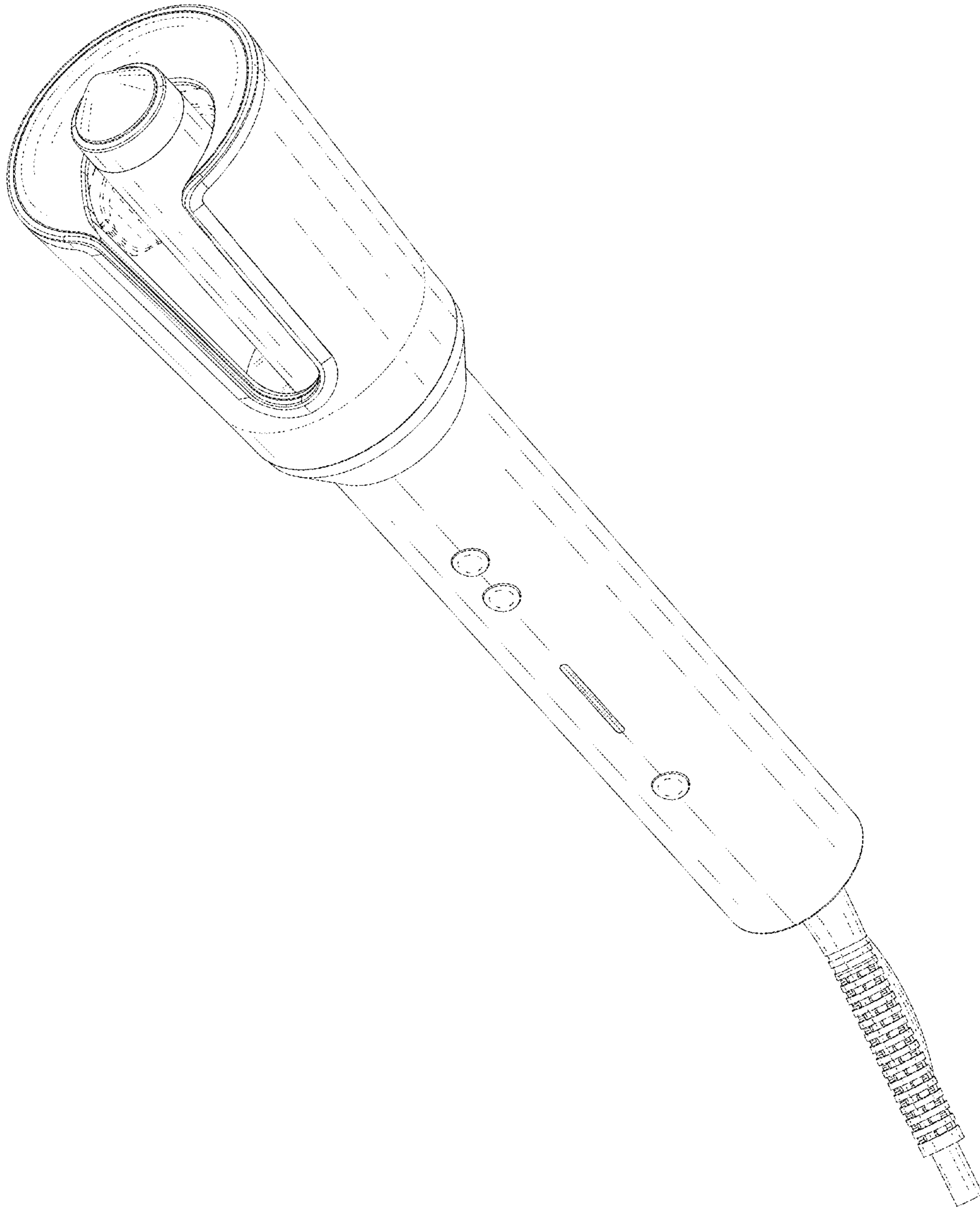


FIG. 1

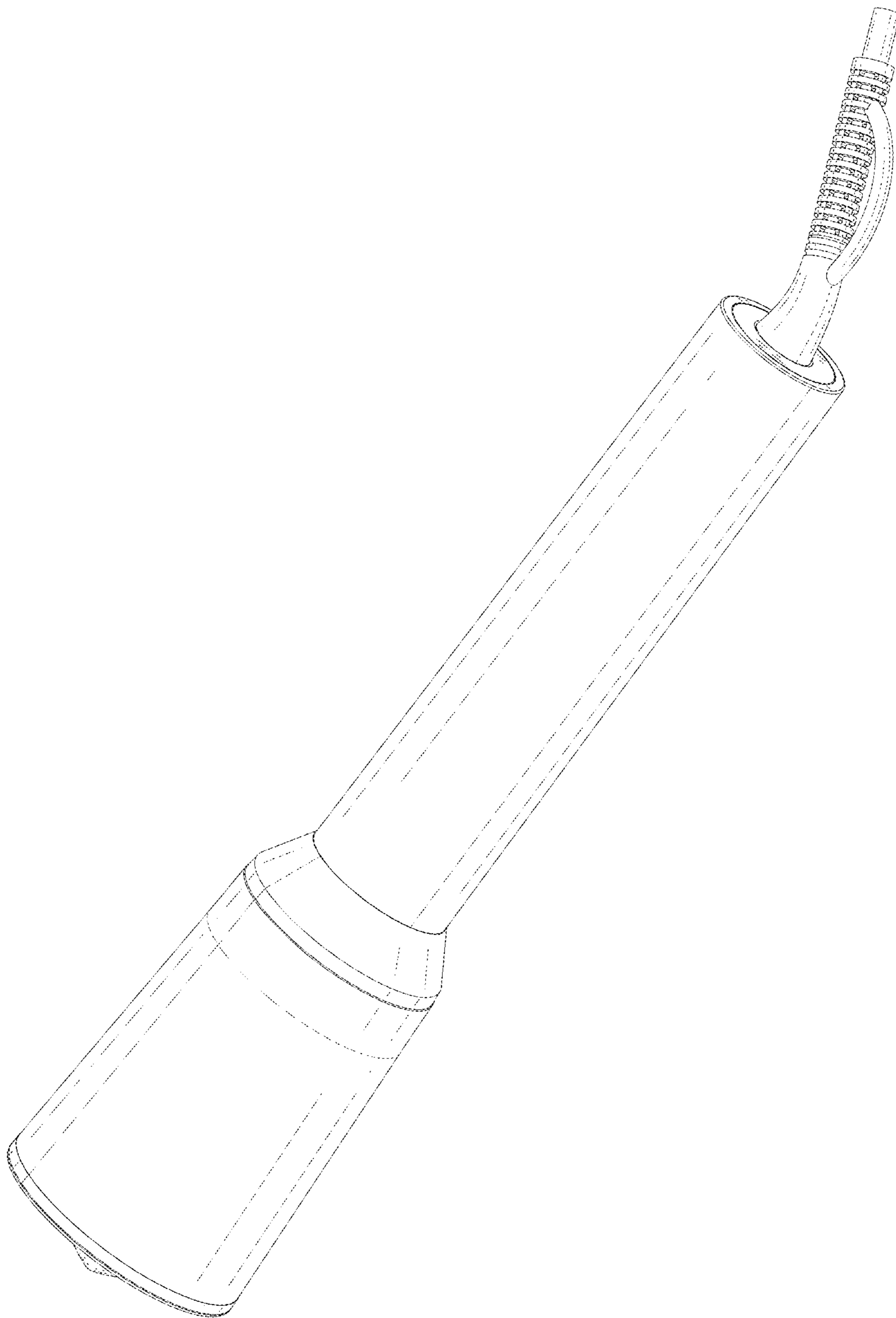


FIG. 2

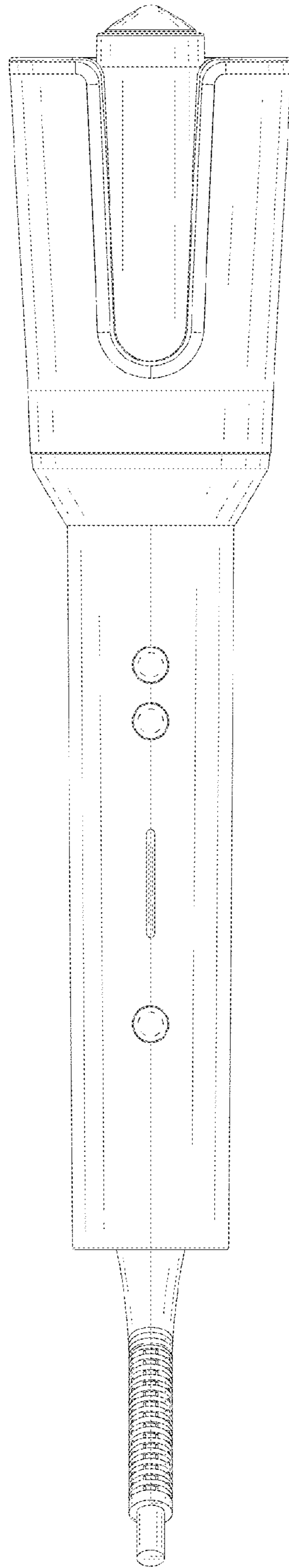


FIG. 3

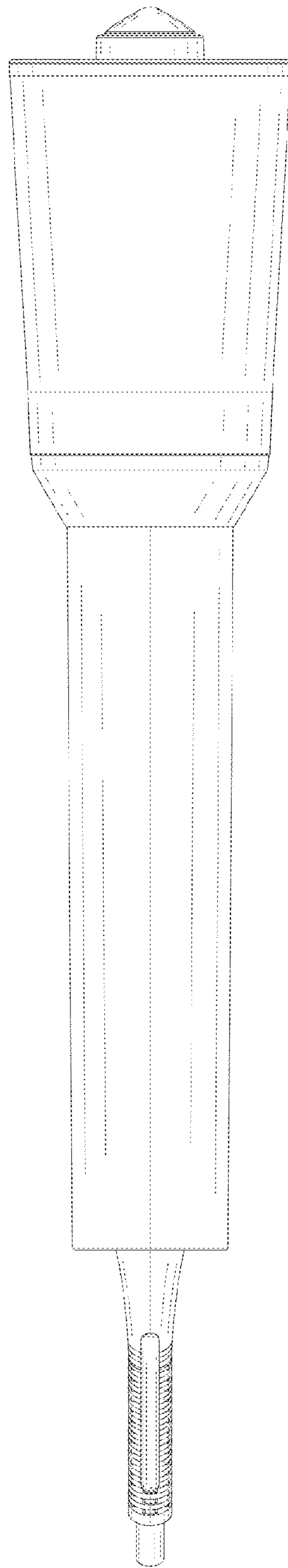


FIG. 4

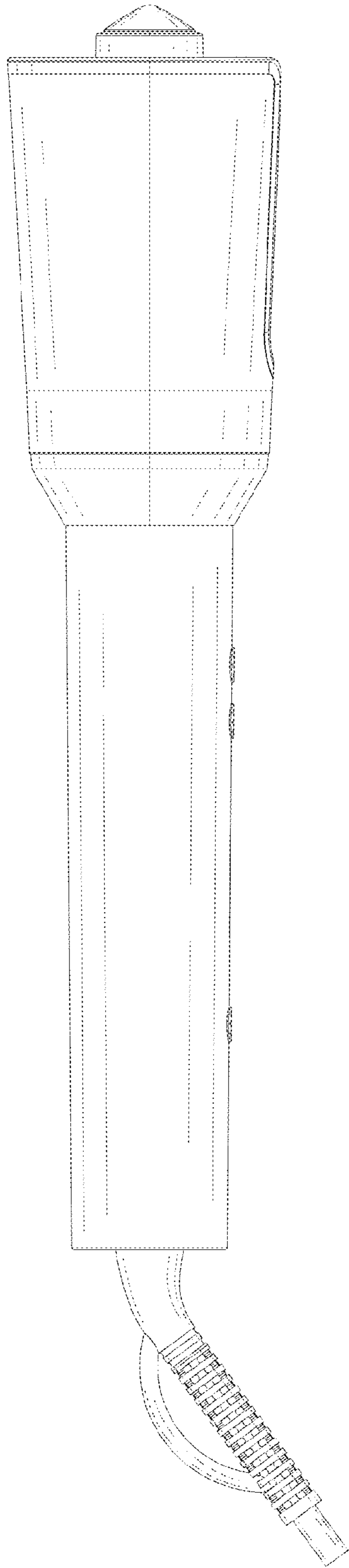


FIG. 5

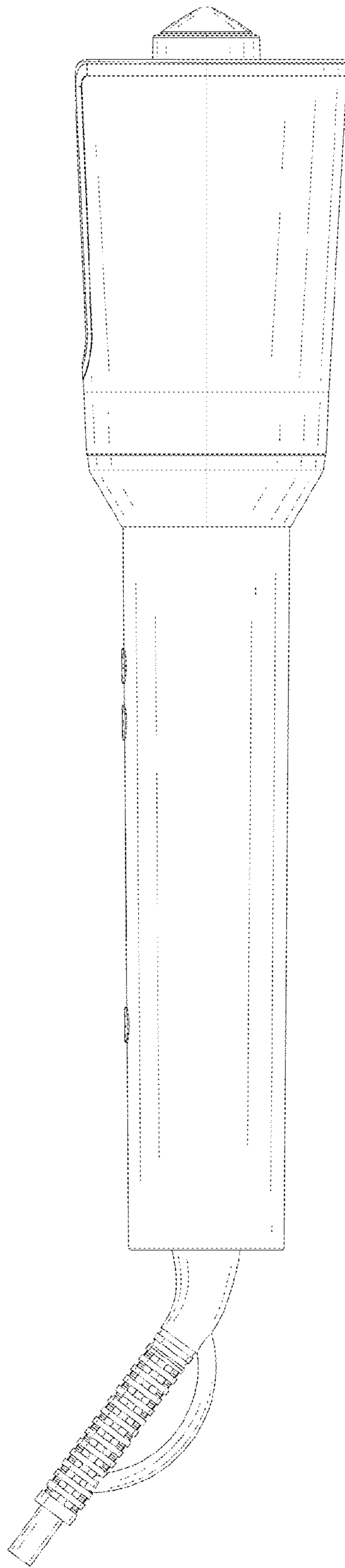


FIG. 6

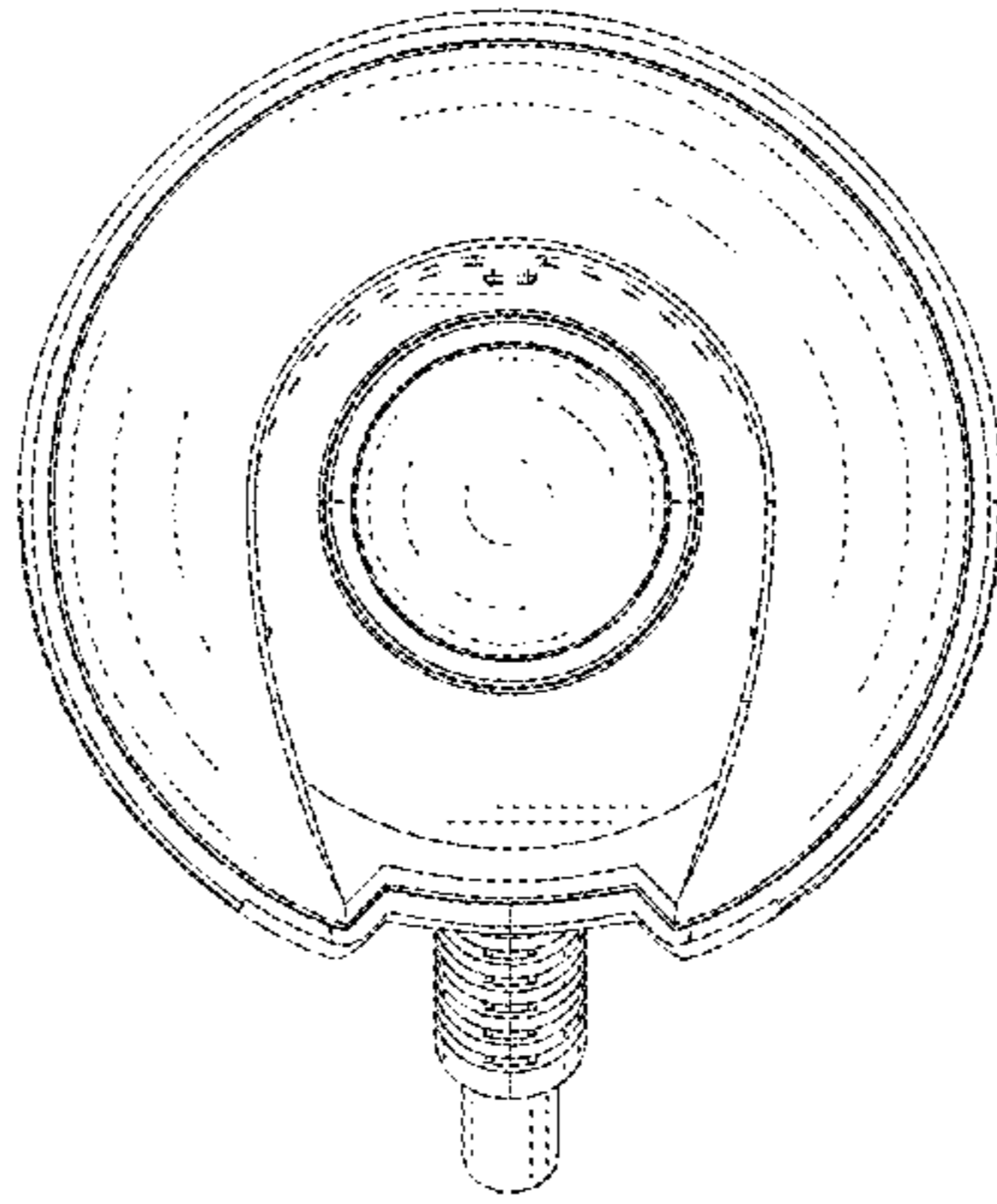


FIG. 7

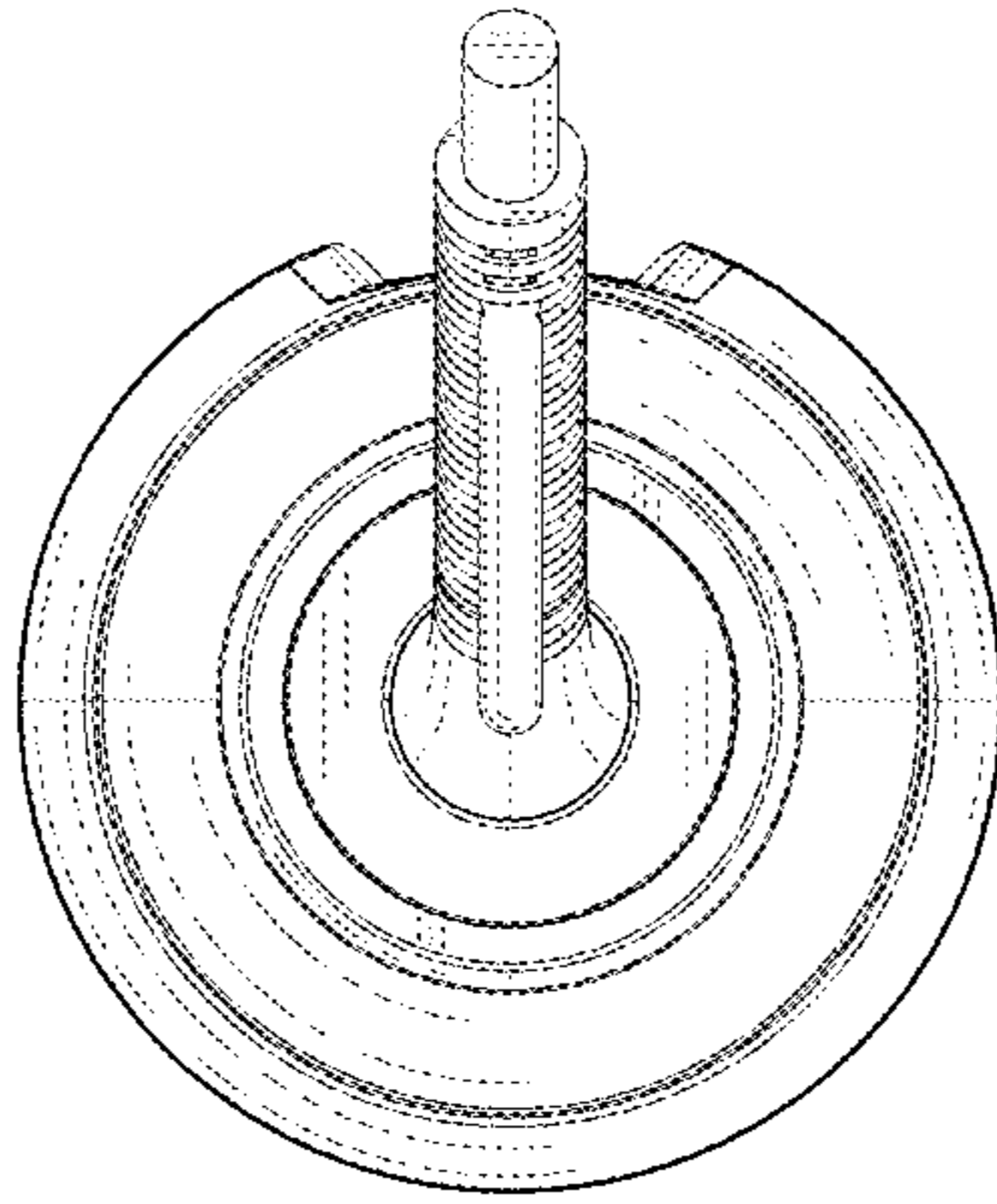


FIG. 8