

US00D892402S

(12) **United States Design Patent** (10) **Patent No.:** **US D892,402 S**
Grund et al. (45) **Date of Patent:** **** Aug. 4, 2020**

- (54) **MAKEUP DEVICE**
- (71) Applicant: **And.B, LLC**, New York, NY (US)
- (72) Inventors: **Bobbie Lynn Grund**, New York, NY (US); **Andrea DeVos Abraham**, New York, NY (US)
- (73) Assignee: **And.B, LLC**, New York, NY (US)
- (**) Term: **15 Years**
- (21) Appl. No.: **29/691,080**
- (22) Filed: **May 14, 2019**

D484,985 S	1/2004	Takizawa et al.
8,074,667 B2	12/2011	Villanueva
8,235,060 B2	8/2012	Konrad
8,464,733 B2	6/2013	Franklin et al.
D699,897 S	2/2014	Lara
8,684,013 B2	4/2014	Haman et al.
D713,966 S	9/2014	Hoonakker
8,925,558 B2	1/2015	Johnson
D734,892 S	7/2015	Sato
D741,006 S	10/2015	Sternad
9,173,472 B2	11/2015	Forsythe et al.
D745,996 S	12/2015	Lieu
D758,007 S	5/2016	Marchica et al.
D758,009 S	5/2016	Berkos
D841,233 S *	2/2019	Tai D28/7
D852,412 S *	6/2019	Grund A45D 40/30
		D28/7
D854,240 S *	7/2019	Ha D28/7
2003/0094184 A1	5/2003	Parsons
2004/0107975 A1	6/2004	Bender
2009/0151744 A1	6/2009	Villanueva
2010/0154813 A1	6/2010	Deeds
2010/0282269 A1	11/2010	Uchida et al.
2012/0325141 A1	12/2012	Mohammadi et al.

Related U.S. Application Data

- (63) Continuation of application No. 29/572,735, filed on Jul. 29, 2016, now Pat. No. Des. 852,411, which is a continuation-in-part of application No. 14/831,098, filed on Aug. 20, 2015.

- (51) **LOC (12) Cl.** **28-03**
- (52) **U.S. Cl.**
USPC **D28/7**
- (58) **Field of Classification Search**
USPC D28/7, 8, 99; D24/128, 134, 135, 189;
D29/108
CPC A45D 40/00; A45D 37/00
See application file for complete search history.

(56) **References Cited**

U.S. PATENT DOCUMENTS

4,719,909 A	1/1988	Micchia et al.
4,748,976 A	6/1988	Cali
5,050,624 A	9/1991	Kobe et al.
5,178,170 A	1/1993	Kassai
D355,489 S	2/1995	Almond
5,957,142 A	9/1999	Karafilis
D440,315 S	4/2001	Hassenbein et al.
D461,278 S *	8/2002	Takechi D28/4

(Continued)

Primary Examiner — Zenia I Bennett

(74) *Attorney, Agent, or Firm* — Warner Norcross + Judd LLP

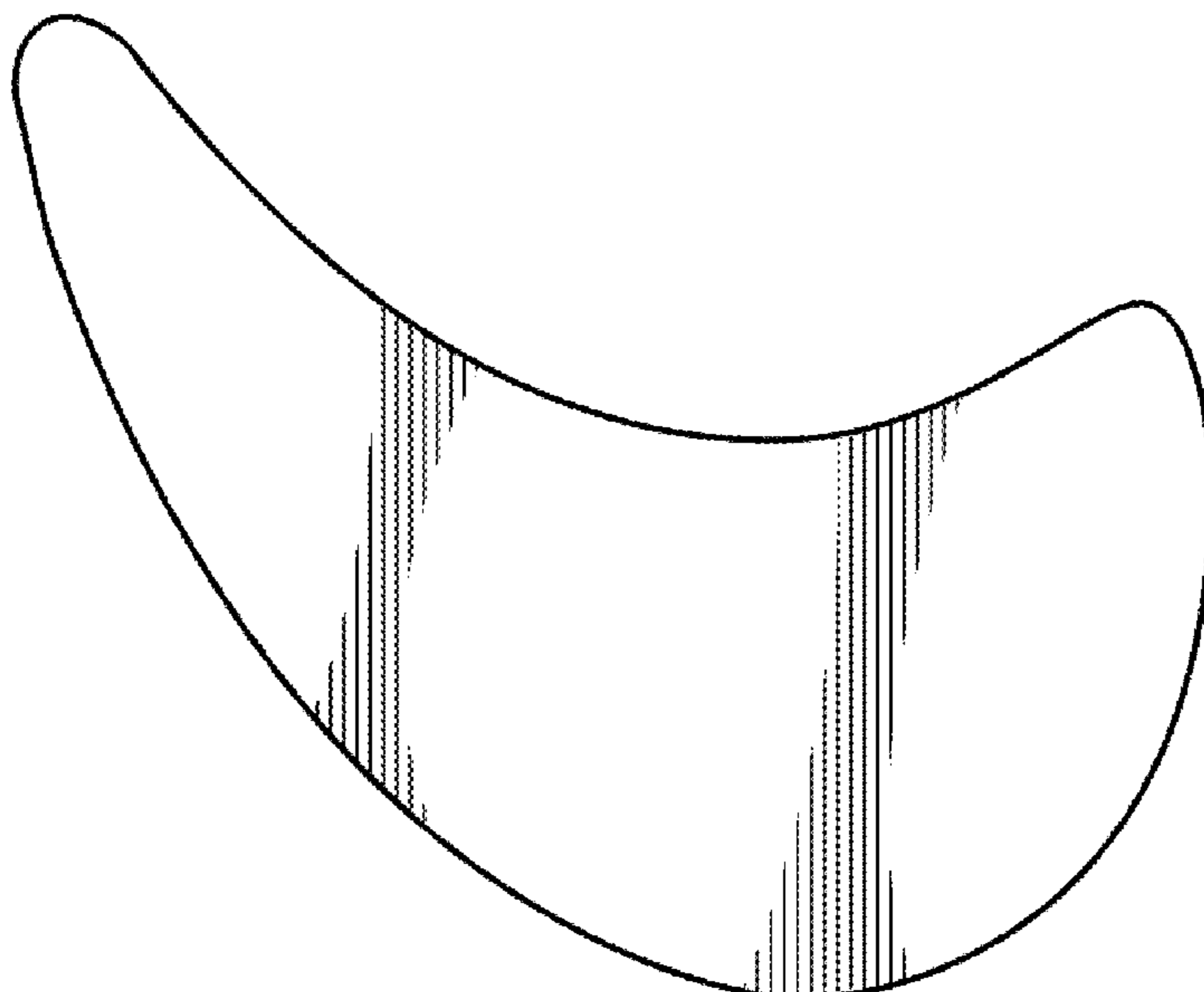
(57) **CLAIM**

The ornamental design for a makeup device, as shown and described.

DESCRIPTION

FIG. 1 is a first elevation view of a makeup device; FIG. 2 is a right side elevation view thereof; FIG. 3 is a second elevation view thereof; FIG. 4 is a left side elevation view thereof; FIG. 5 is a top plan view thereof; and, FIG. 6 is a bottom plan view thereof.

1 Claim, 1 Drawing Sheet



(56)

References Cited

U.S. PATENT DOCUMENTS

2013/0146076 A1 6/2013 Dunaway
2013/0247928 A1 9/2013 Valucci et al.
2014/0158147 A1 6/2014 Butcher
2015/0114427 A1 4/2015 Johnson
2015/0201684 A1 7/2015 Dalton
2015/0296960 A1 10/2015 Samaco, III
2015/0359318 A1 12/2015 Martin et al.
2015/0374101 A1 12/2015 Levi
2016/0051033 A1 2/2016 Abraham et al.

* cited by examiner

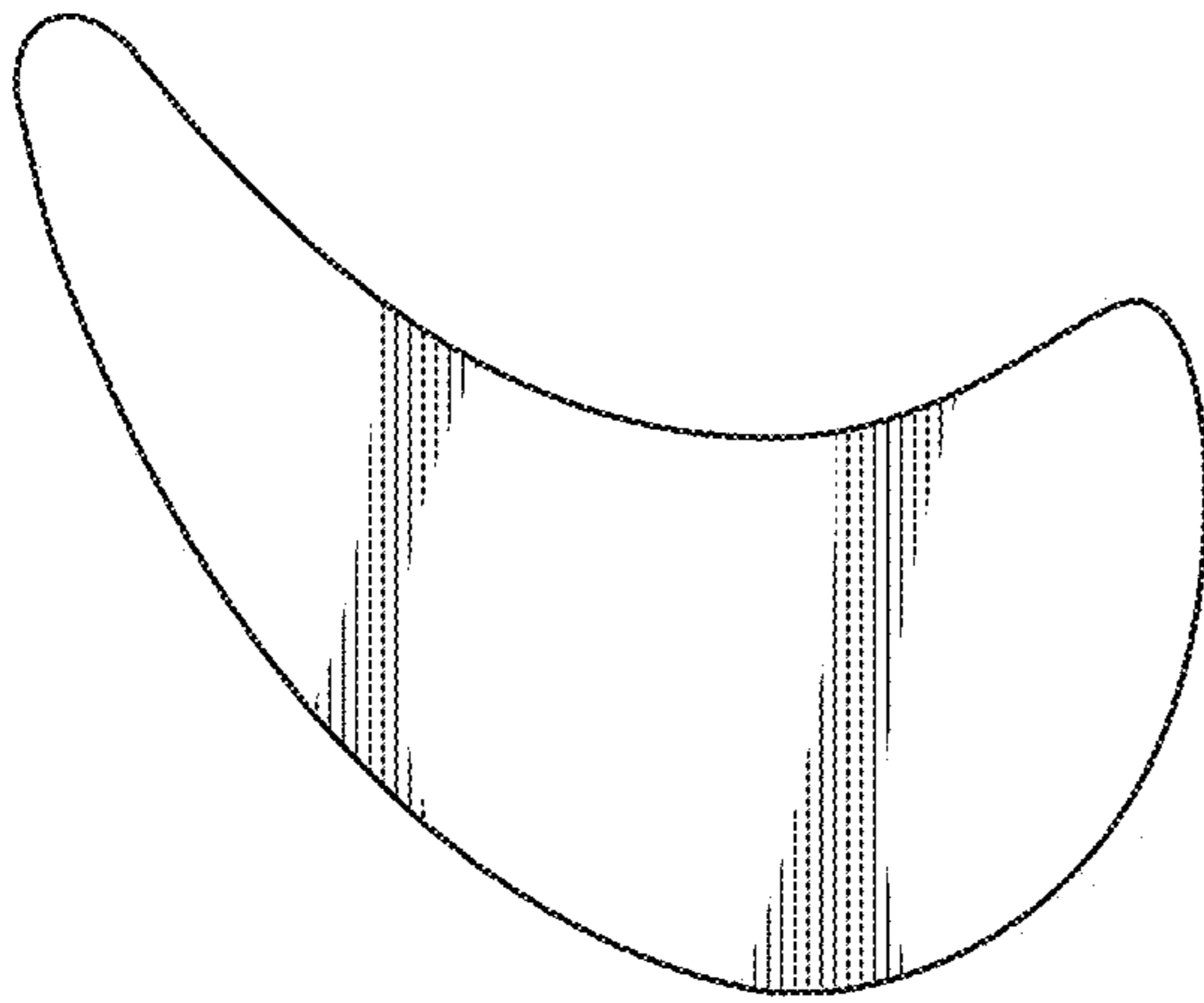


FIG. 1



FIG. 2

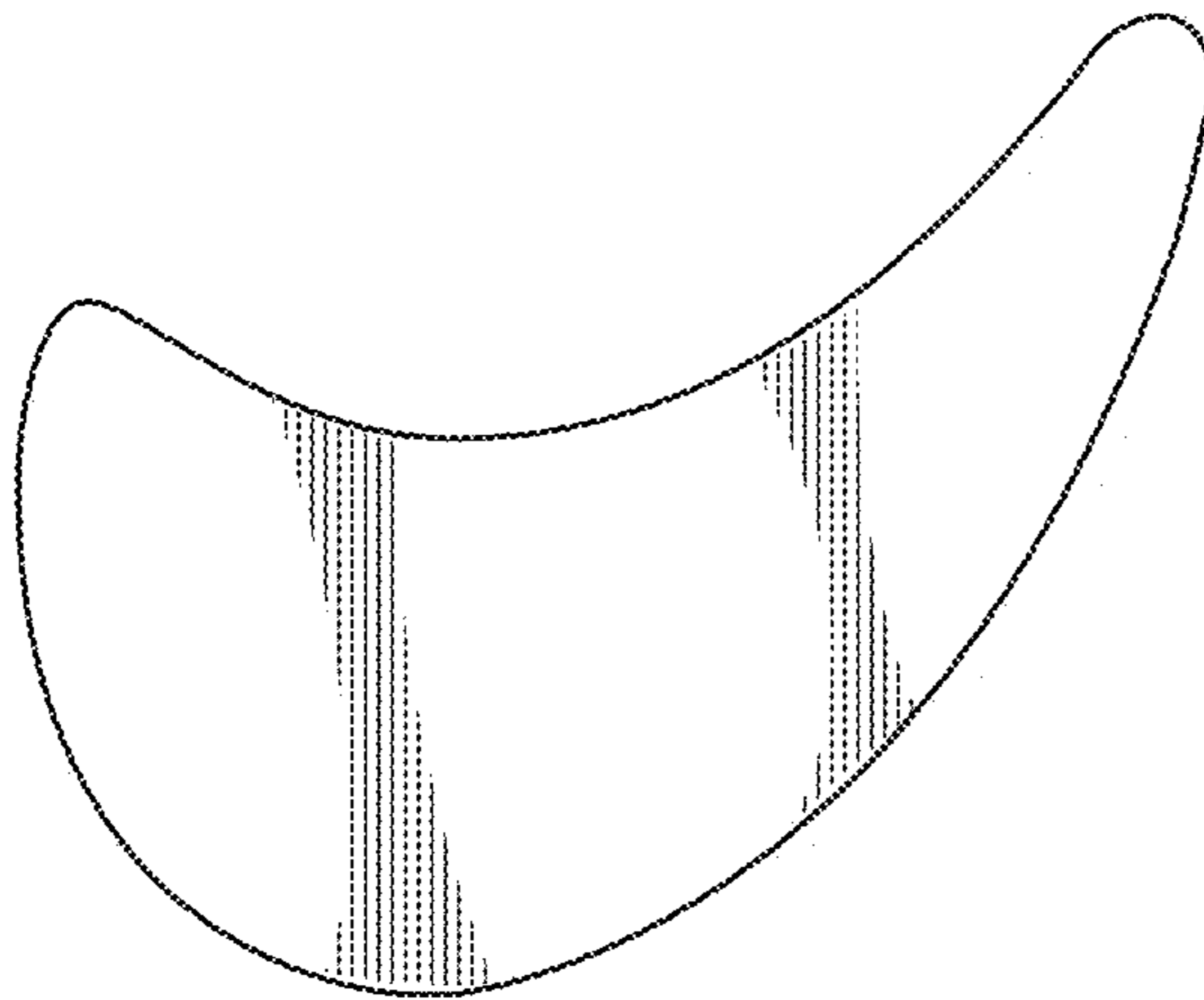


FIG. 3



FIG. 4

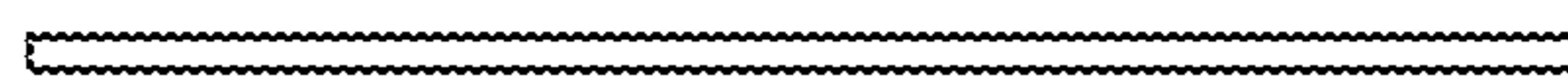


FIG. 5

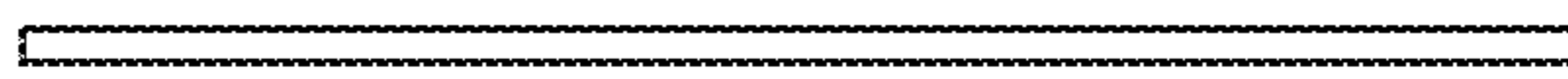


FIG. 6