

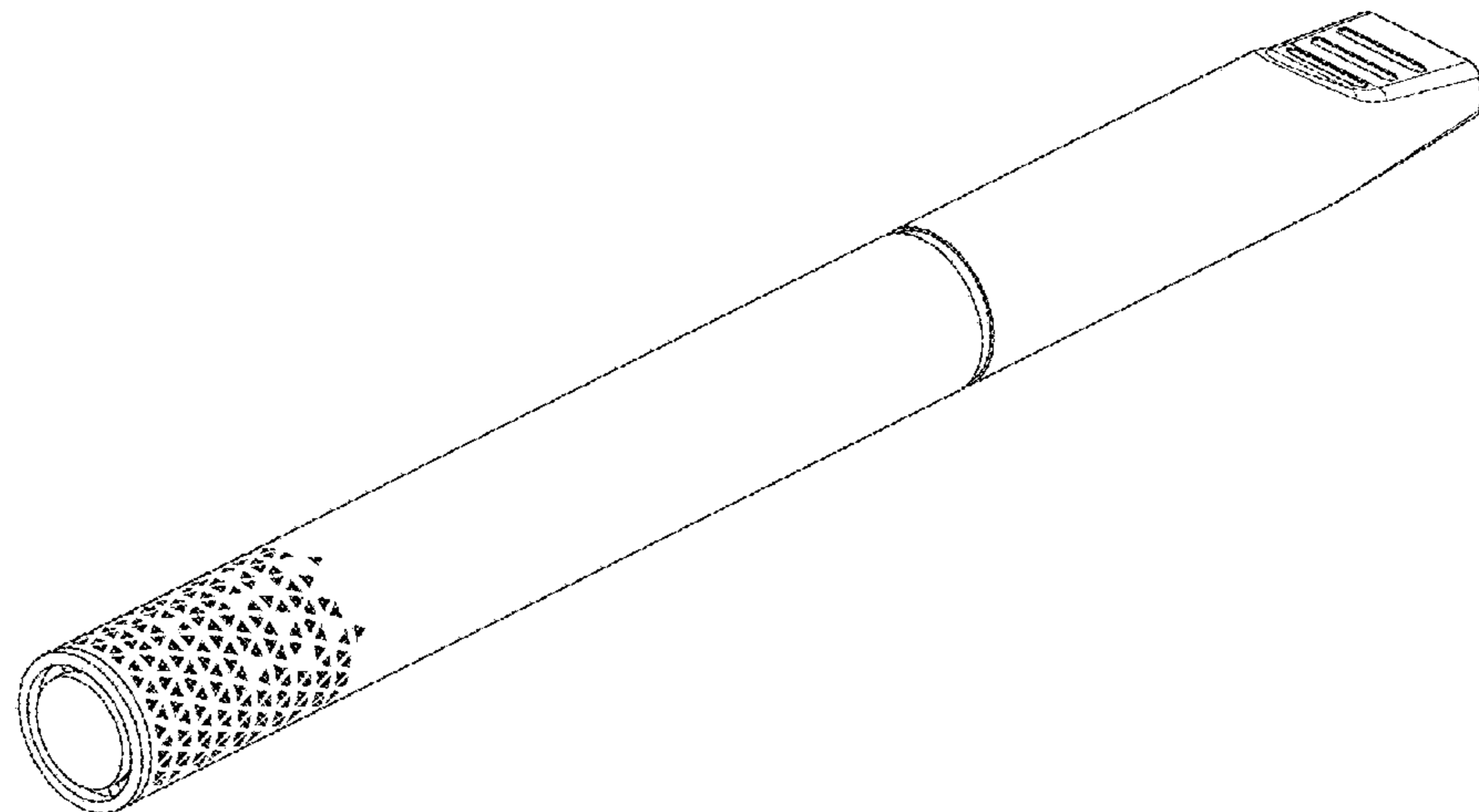


US00D892395S

(12) **United States Design Patent** (10) **Patent No.:** **US D892,395 S**
Bagai (45) **Date of Patent:** **** Aug. 4, 2020**

- (54) **ELECTRONIC VAPING DEVICE**
- (71) Applicant: **Fontem Holdings 1 B.V.**, Amsterdam (NL)
- (72) Inventor: **Hitesh Bagai**, Bristol (GB)
- (73) Assignee: **Fontem Holdings 1 B.V.**, Amsterdam (NL)
- (**) Term: **15 Years**
- (21) Appl. No.: **29/598,763**
- (22) Filed: **Mar. 28, 2017**
- (30) **Foreign Application Priority Data**
- Sep. 30, 2016 (EP) 003401173
- (51) **LOC (12) Cl.** **27-01**
- (52) **U.S. Cl.**
USPC **D27/101**
- (58) **Field of Classification Search**
USPC D27/100, 101, 139-161, 162-196;
D23/366; D24/110; D19/101, 106, 115,
D19/165, 195; D7/416; D3/212, 247
CPC A24F 47/00; A24F 47/002; A24F 15/12;
A24F 1/32; A24F 15/18
See application file for complete search history.
- (56) **References Cited**
- U.S. PATENT DOCUMENTS
- D171,841 S * 3/1954 Cox 131/175
D438,903 S * 3/2001 Rosenbaum D19/199
D445,132 S * 7/2001 Saito D19/199
D484,912 S * 1/2004 Briggl D19/199
D590,989 S * 4/2009 Hon D27/101
D590,990 S * 4/2009 Hon D27/101
D590,991 S * 4/2009 Hon D27/101
D623,351 S * 9/2010 Kirkeby D27/101
D628,635 S * 12/2010 Li D19/184
D633,035 S * 2/2011 Heine D13/103
D666,355 S * 8/2012 Alelov D27/101
D682,276 S * 5/2013 Nakata D14/411

- 8,499,766 B1 * 8/2013 Newton A24F 47/002
131/273
- 8,528,569 B1 * 9/2013 Newton A61M 15/06
128/202.21
- D692,612 S * 10/2013 Lowenthal D13/103
D695,449 S * 12/2013 Tucker D27/101
D707,294 S * 6/2014 Casciotti D19/199
D725,113 S * 3/2015 Roskopp D14/411
D728,154 S * 4/2015 Lavanchy D27/100
D743,097 S * 11/2015 Tucker D27/101
D748,852 S * 2/2016 Wu D27/101
D749,260 S * 2/2016 Wu D27/101
D750,834 S * 3/2016 Wei D27/101
D750,835 S * 3/2016 Wei D27/101
D755,440 S * 5/2016 Collen D27/163
D758,650 S * 6/2016 Wu D27/101
D762,776 S * 8/2016 Laemle D19/199
D764,702 S * 8/2016 Di Bari D27/101
D768,915 S * 10/2016 Wright D27/101
D770,086 S * 10/2016 Tucker D27/101
D770,676 S * 11/2016 Bennett D27/101
D779,720 S * 2/2017 Hearn D27/101
D785,234 S * 4/2017 Liu D27/167
D790,126 S * 6/2017 Bennett D27/101
D796,112 S * 8/2017 Lafferty D27/101
D797,368 S * 9/2017 Rockferry D27/101
D797,369 S * 9/2017 Yamada D27/101
D799,112 S * 10/2017 Qiu D27/101
D800,383 S * 10/2017 Verleur D27/167
D802,207 S * 11/2017 Bramley D27/170
D802,839 S * 11/2017 Scott D27/194
D803,475 S * 11/2017 Scheiber D27/101
D804,090 S * 11/2017 Verleur D27/101
D804,091 S * 11/2017 Fornarelli D27/101
D808,580 S * 1/2018 Kwitel D27/101
D809,189 S * 1/2018 Liu D27/101
D812,807 S * 3/2018 Thuery D27/101
D813,445 S * 3/2018 Scott D27/101
D816,266 S * 4/2018 Thuery D27/101
D821,028 S * 6/2018 Tucker D27/101
D822,273 S * 7/2018 Bagai D27/194
D825,835 S * 8/2018 Verleur D27/101
D825,838 S * 8/2018 Abroff D27/101
D834,743 S * 11/2018 Tucker D27/101
D843,648 S * 3/2019 Santos D27/162
- 2005/0016550 A1 * 1/2005 Katase A24F 47/002
131/194
- 2008/0149118 A1 * 6/2008 Oglesby A61M 11/047
131/194
- 2008/0271744 A1 * 11/2008 Danforth A24F 1/28
131/270
- 2010/0200008 A1 * 8/2010 Taieb A24F 47/008
131/360



2010/0307518	A1*	12/2010	Wang	A24F 47/008 131/329
2011/0120455	A1*	5/2011	Murphy	A24F 47/002 128/200.18
2011/0232654	A1*	9/2011	Mass	A61M 15/06 131/273
2012/0073586	A1*	3/2012	Shengelia	A24F 1/28 131/185
2013/0192617	A1*	8/2013	Thompson	A24F 47/008 131/329
2013/0228191	A1*	9/2013	Newton	A24F 47/008 131/329
2014/0007891	A1*	1/2014	Liu	A24F 47/002 131/329
2014/0020696	A1*	1/2014	Liu	A24F 47/002 131/329
2014/0251325	A1*	9/2014	Liu	A24F 47/008 128/202.21
2014/0345632	A1*	11/2014	Scatterday	A24F 47/008 131/329
2015/0027456	A1*	1/2015	Janardhan	A24F 47/008 131/328
2015/0128966	A1*	5/2015	Lord	A24F 47/002 131/328
2015/0136153	A1*	5/2015	Lord	A24F 47/008 131/328
2015/0164141	A1*	6/2015	Newton	A24F 47/008 131/329
2015/0164143	A1*	6/2015	Maas	A24F 47/008 131/329
2015/0181934	A1*	7/2015	Lyubomirskiy	A24F 47/008 131/329
2015/0181945	A1*	7/2015	Tremblay	A24F 47/008 131/328
2015/0196058	A1*	7/2015	Lord	A24F 47/008 131/329
2015/0237917	A1*	8/2015	Lord	A24F 47/008 131/328
2015/0238713	A1*	8/2015	Cohen	A61M 11/042 128/200.14
2015/0257441	A1*	9/2015	Gerkin	A24F 15/08 206/229
2015/0333542	A1*	11/2015	Alarcon	H02J 7/007 131/328
2016/0007650	A1*	1/2016	Duncan	A24F 47/004 131/328
2016/0219936	A1*	8/2016	Alarcon	A24F 47/008
2016/0366939	A1*	12/2016	Alarcon	G01F 1/6888
2017/0055582	A1*	3/2017	Blandino	A24F 47/008
2017/0112196	A1*	4/2017	Sur	A24F 47/008
2017/0251724	A1*	9/2017	Lamb	A24F 47/008
2017/0258129	A1*	9/2017	Haun	A24F 9/16
2017/0311644	A1*	11/2017	Collett	A24F 47/008
2017/0325497	A1*	11/2017	Dincer	A24D 1/045
2018/0007958	A1*	1/2018	Verbiest	A24F 47/002
2018/0007969	A1*	1/2018	Sur	H02J 50/20
2018/0116275	A1*	5/2018	Malgat	A24F 47/006
2018/0140013	A1*	5/2018	Sur	A24F 47/008
2018/0242634	A1*	8/2018	Sur	A24F 47/008
2019/0082734	A1*	3/2019	Alarcon	A24F 15/12
2019/0089180	A1*	3/2019	Sur	H02J 7/0091
2019/0104768	A1*	4/2019	Domenici	A24F 47/008
2019/0110517	A1*	4/2019	Rogers	A24F 47/008

OTHER PUBLICATIONS

Blu MAX e-Cigarette by cstore products. dated 2019. found online [Jun. 24, 2019] <http://www.cstoreproductsonline.com/tobacco/blu-max-responsive-draw-technology>.*

* cited by examiner

Primary Examiner — Marissa J Cash

(74) Attorney, Agent, or Firm — Dykema Gossett PLLC

(57) CLAIM

The ornamental design for an electronic vaping device, as shown and described.

DESCRIPTION

FIG. 1 is an isometric view of the top, front, and right side of a first embodiment of an electronic vaping device.

FIG. 2 is an isometric view of the bottom, rear, and right side of the electronic vaping device depicted in FIG. 1.

FIG. 3 is a top plan view of the electronic vaping device depicted in FIG. 1.

FIG. 4 is a bottom plan view of the electronic vaping device depicted in FIG. 1.

FIG. 5 is a right side elevational view of the electronic vaping device depicted in FIG. 1, the left side elevational view being a mirror image thereof.

FIG. 6 is a rear elevational view of the electronic vaping device depicted in FIG. 1.

FIG. 7 is a front elevational view of the electronic vaping device depicted in FIG. 1.

FIG. 8 is an isometric view of the top, front, and right side of a second embodiment of an electronic vaping device, which is similar to the embodiment of FIG. 1.

FIG. 9 is an isometric view of the bottom, rear, and right side of the electronic vaping device depicted in FIG. 8.

FIG. 10 is a top plan view of the electronic vaping device depicted in FIG. 8.

FIG. 11 is a bottom plan view of the electronic vaping device depicted in FIG. 8.

FIG. 12 is a right side elevational view of the electronic vaping device depicted in FIG. 8, the left side elevational view being a mirror image thereof.

FIG. 13 is a rear elevational view of the electronic vaping device depicted in FIG. 8.

FIG. 14 is a front elevational view of the electronic vaping device depicted in FIG. 8.

FIG. 15 is an isometric view of the top, front, and right side of a third embodiment of an electronic vaping device, which is similar to the embodiment of FIG. 1, but wherein the cross-hatching represents the color blue.

FIG. 16 is an isometric view of the bottom, rear, and right side of the electronic vaping device depicted in FIG. 15.

FIG. 17 is a top plan view of the electronic vaping device depicted in FIG. 15.

FIG. 18 is a bottom plan view of the electronic vaping device depicted in FIG. 15.

FIG. 19 is a right side elevational view of the electronic vaping device depicted in FIG. 15, the left side elevational view being a mirror image thereof.

FIG. 20 is a rear elevational view of the electronic vaping device depicted in FIG. 15.

FIG. 21 is a front elevational view of the electronic vaping device depicted in FIG. 15.

FIG. 22 is an isometric view of the top, front, and right side of a fourth embodiment of an electronic vaping device, which is similar to the embodiment of FIG. 15.

FIG. 23 is an isometric view of the bottom, rear, and right side of the electronic vaping device depicted in FIG. 22.

FIG. 24 is a top plan view of the electronic vaping device depicted in FIG. 22.

FIG. 25 is a bottom plan view of the electronic vaping device depicted in FIG. 22.

FIG. **26** is a right side elevational view of the electronic vaping device depicted in FIG. **22**, the left side elevational view being a mirror image thereof.

FIG. **27** is a rear elevational view of the electronic vaping device depicted in FIG. **22**; and,

FIG. **28** is a front elevational view of the electronic vaping device depicted in FIG. **22**.

The electronic vaping device is shown with a symbolic break in its length. The appearance of any portion of the article between the break lines forms no part of the claimed design.

1 Claim, 12 Drawing Sheets

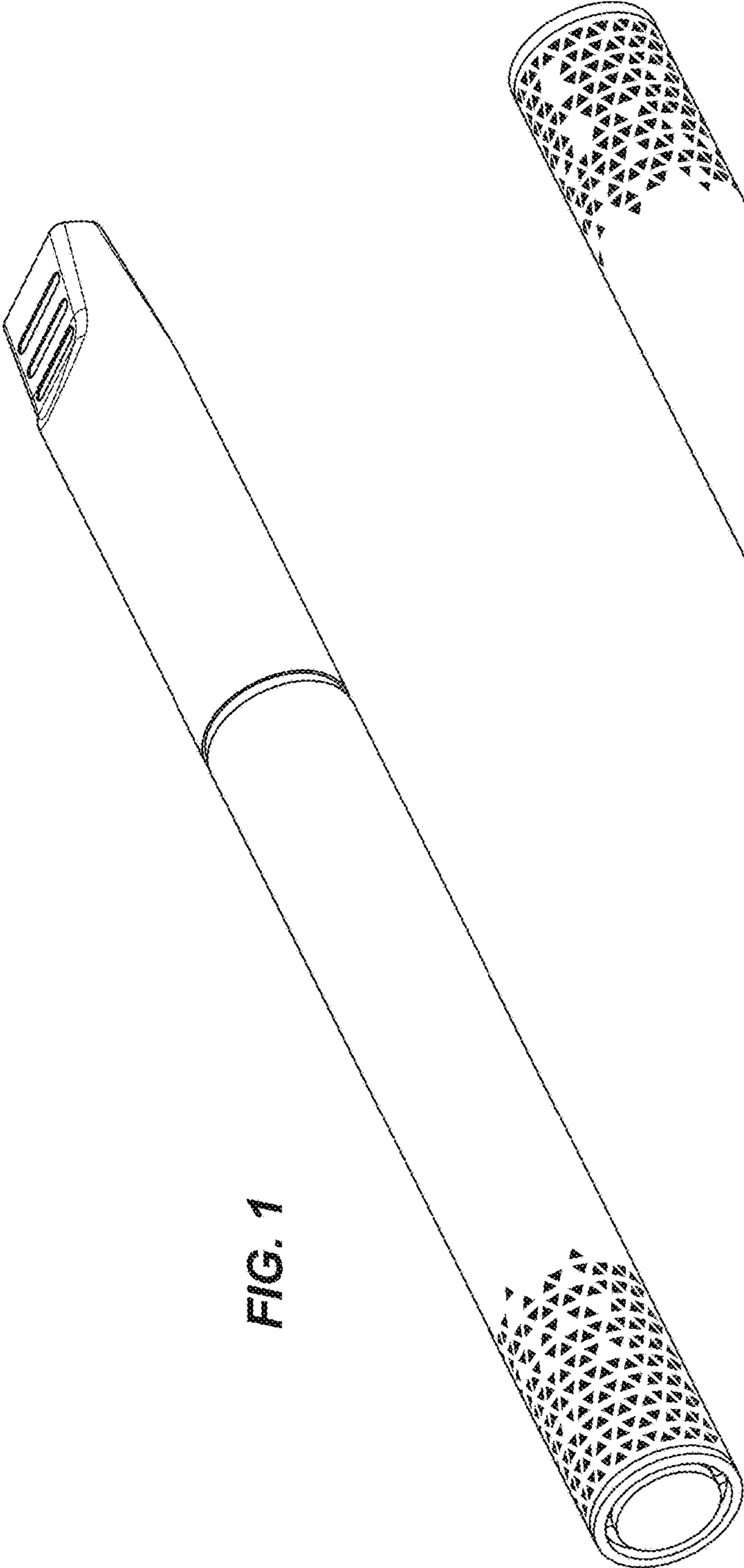


FIG. 1

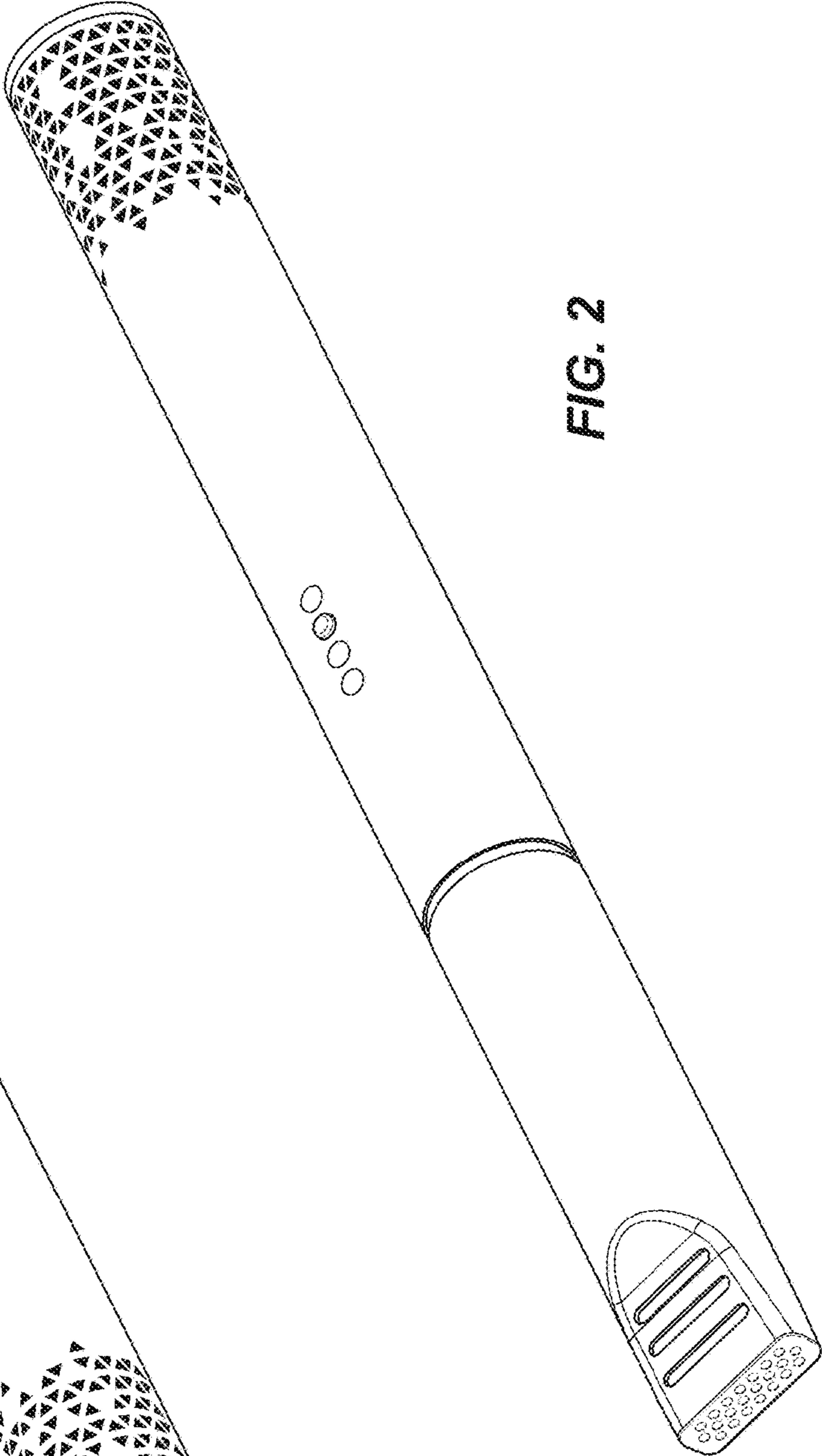


FIG. 2

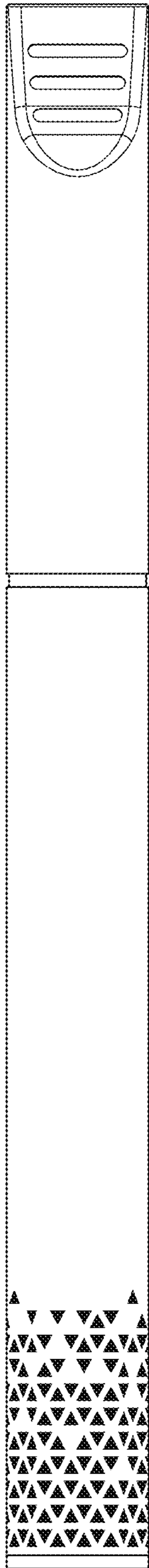


FIG. 3

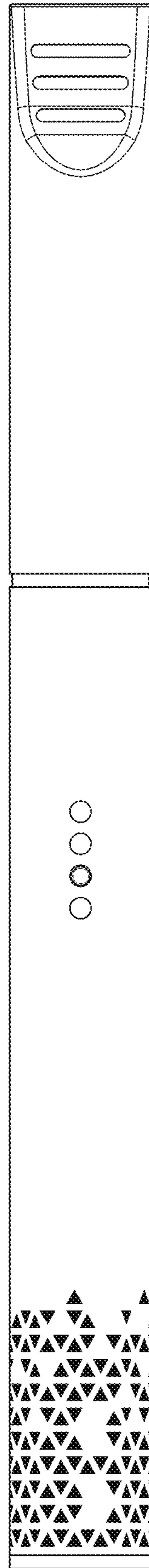


FIG. 4

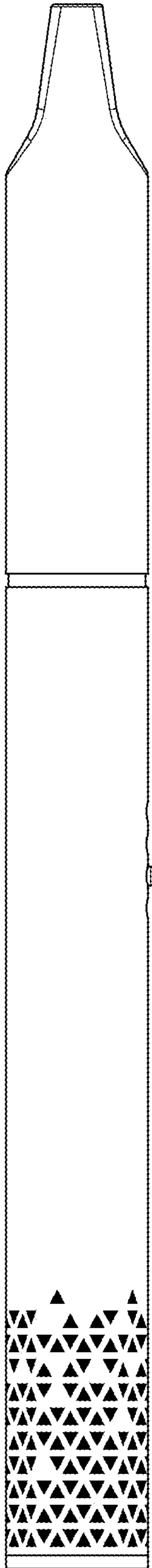


FIG. 5

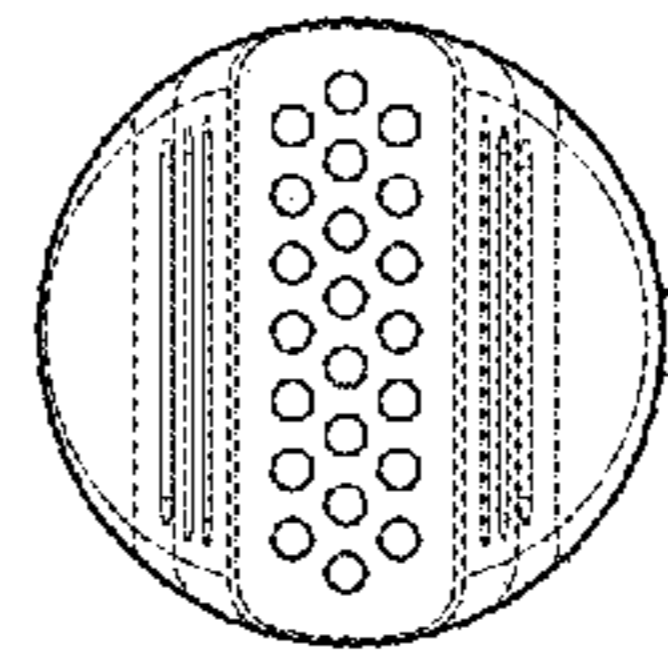


FIG. 6

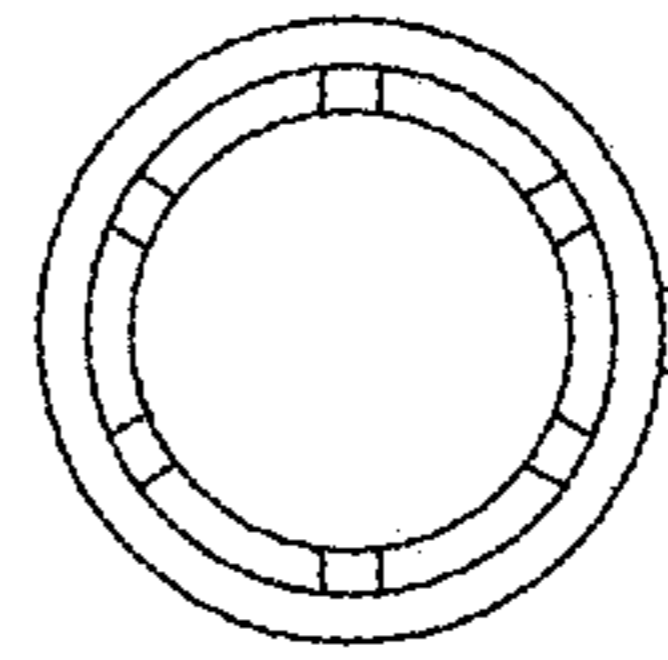
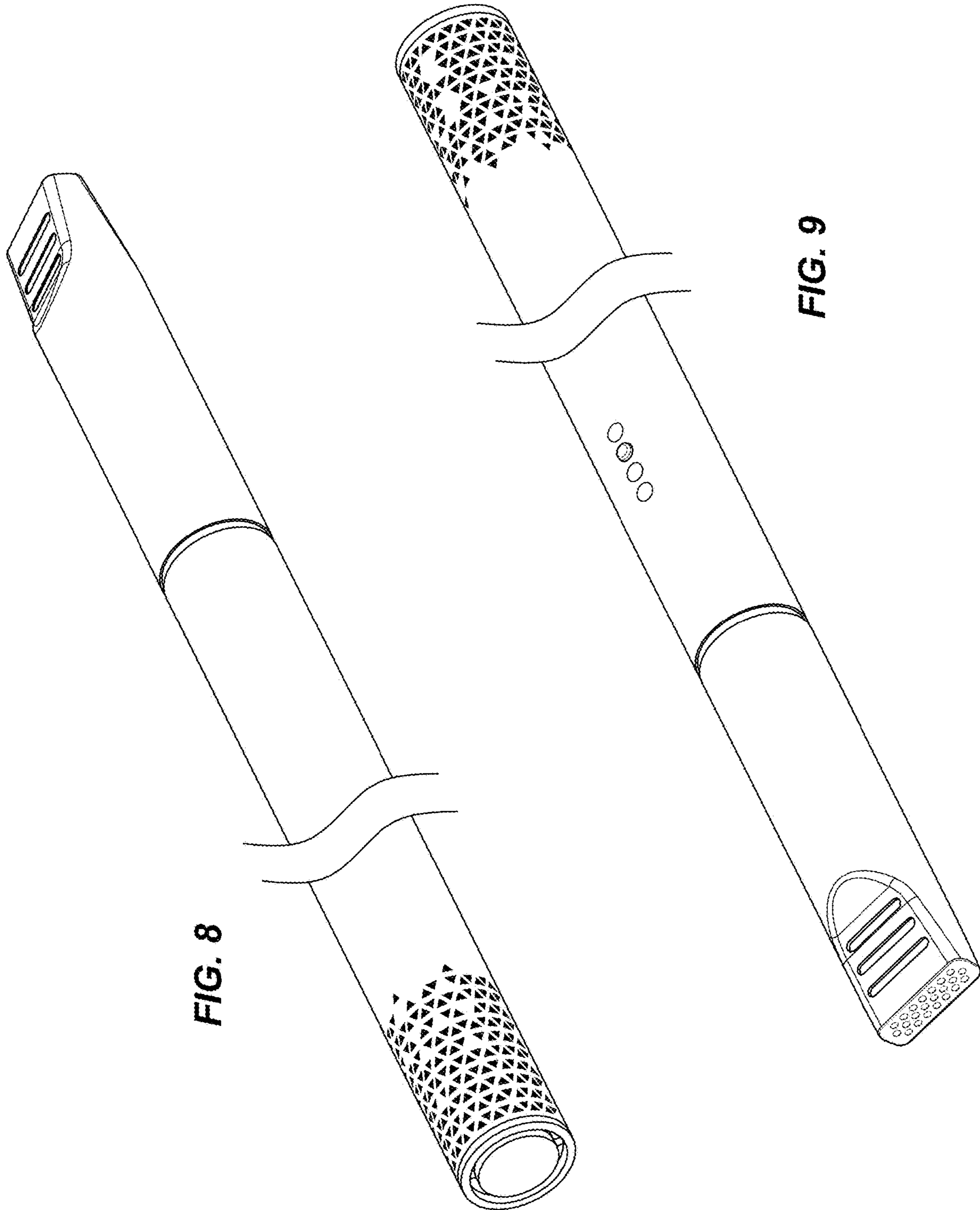


FIG. 7



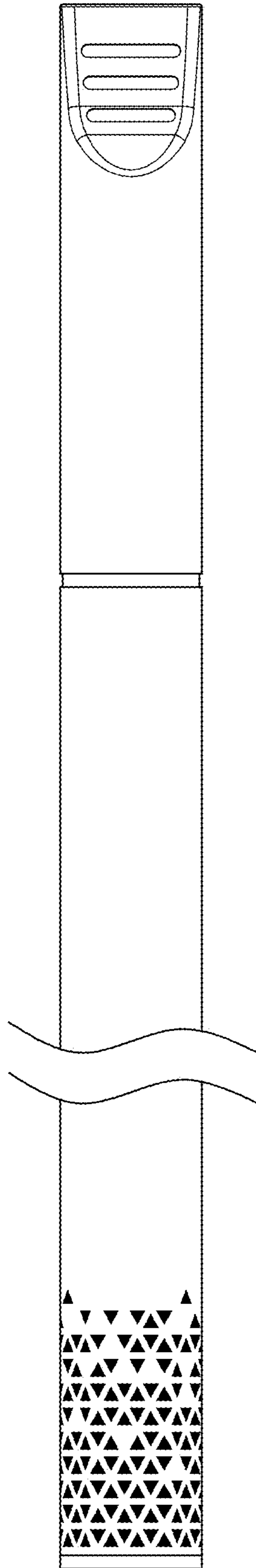


FIG. 10

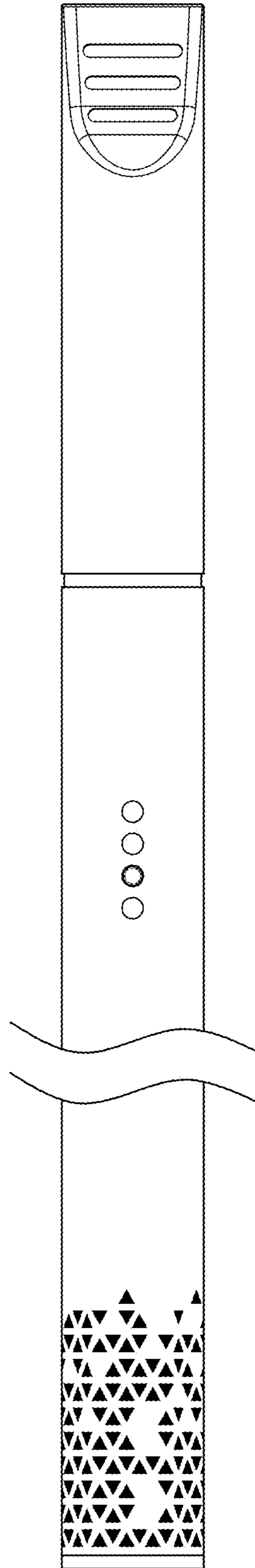


FIG. 11

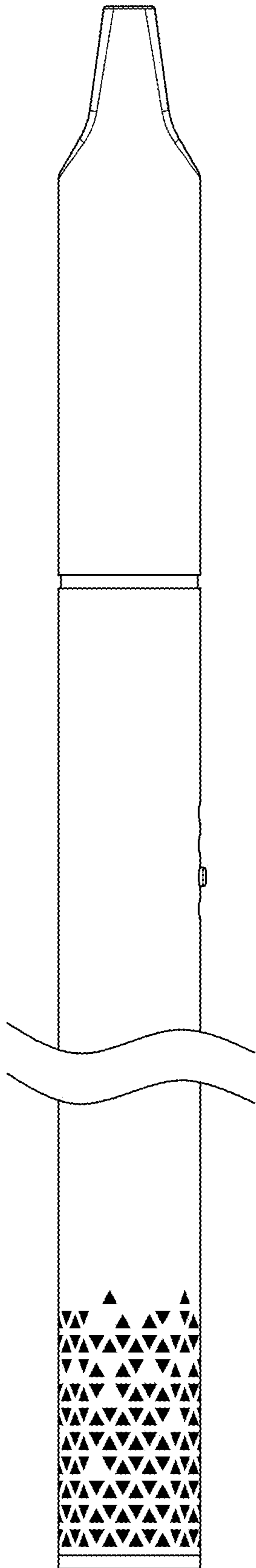


FIG. 12

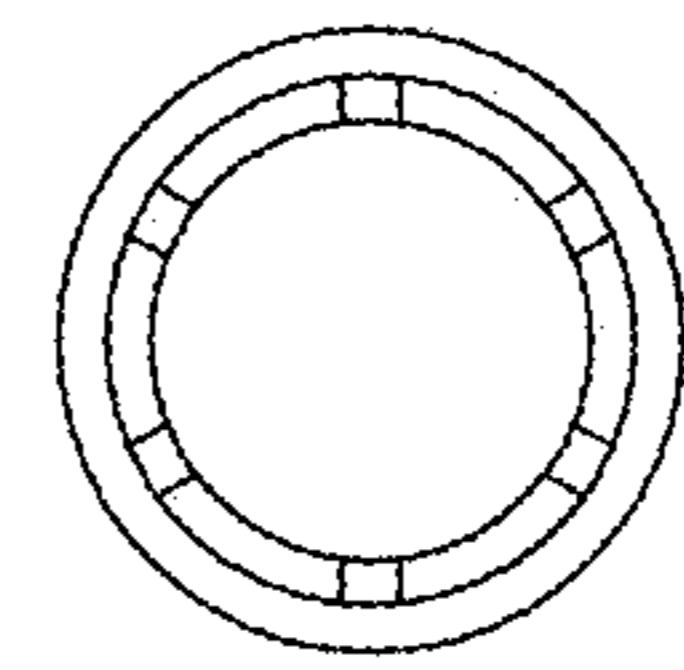


FIG. 14

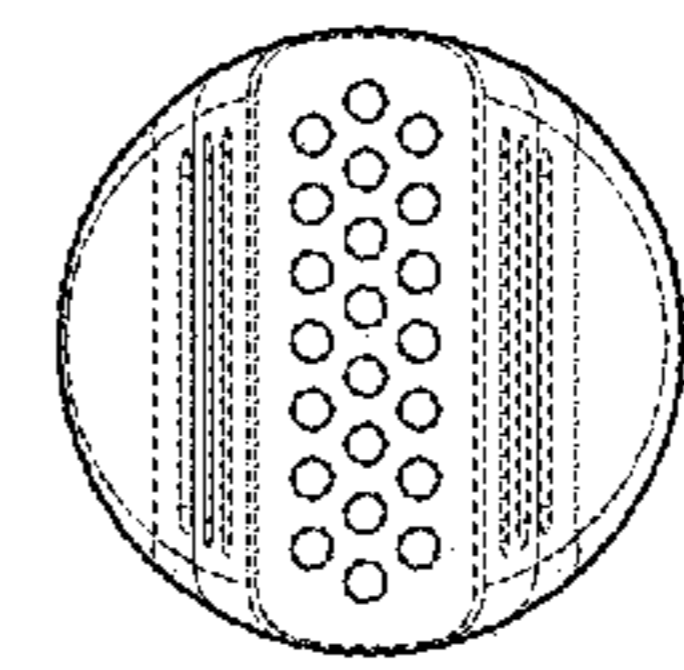
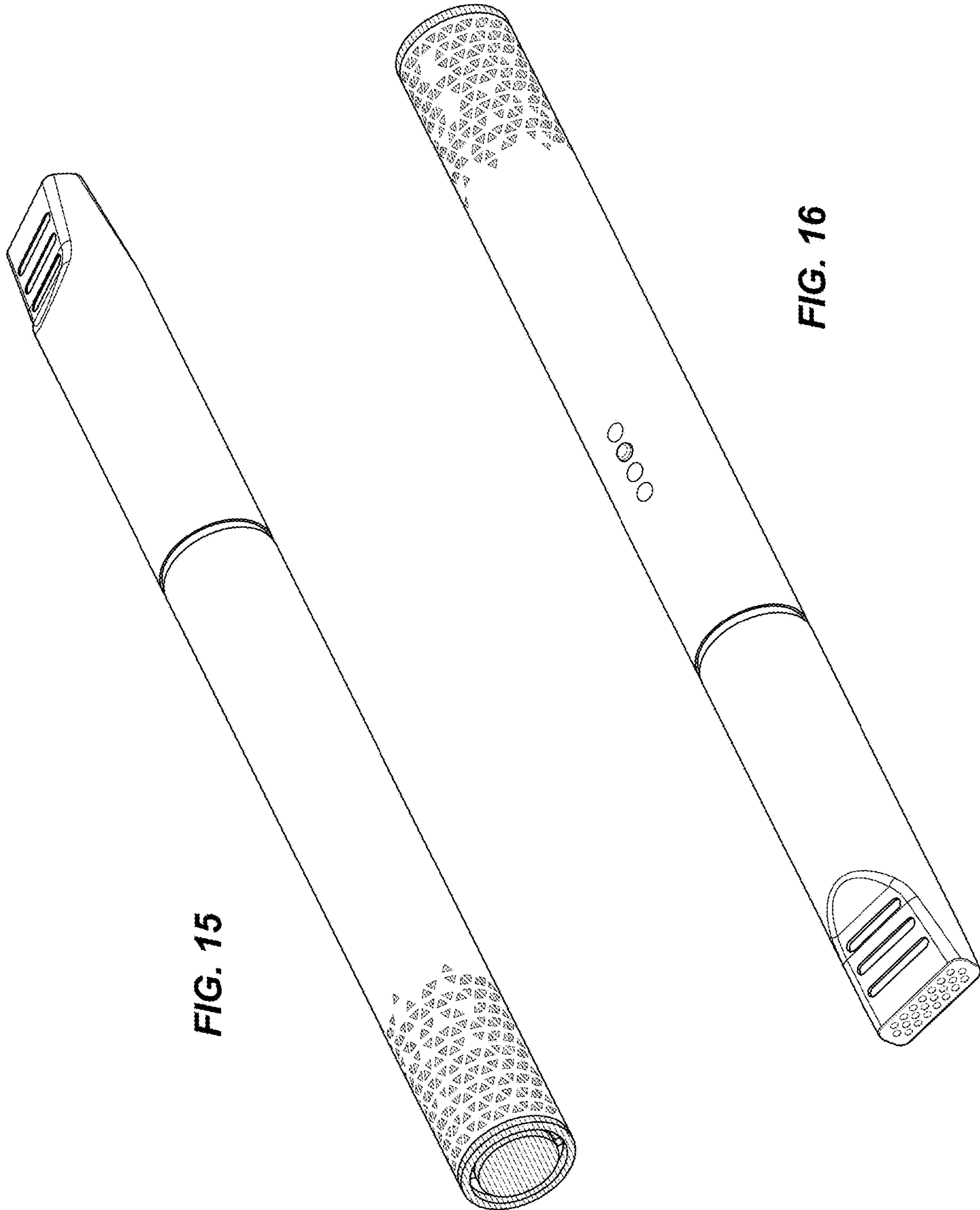


FIG. 13



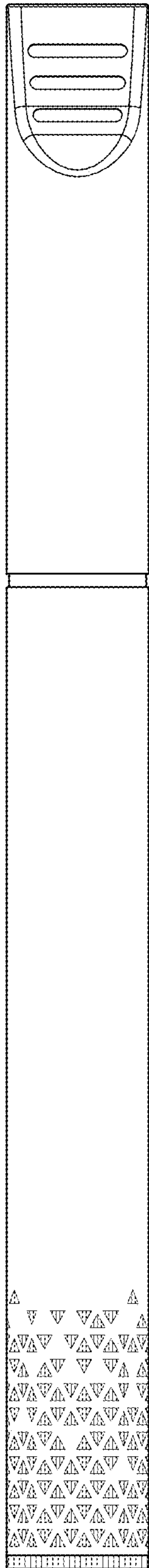


FIG. 17

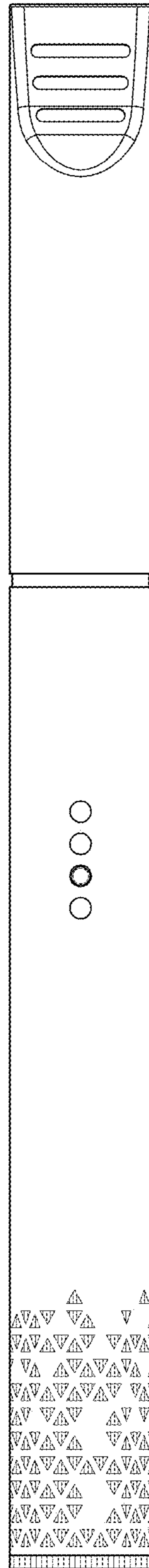


FIG. 18

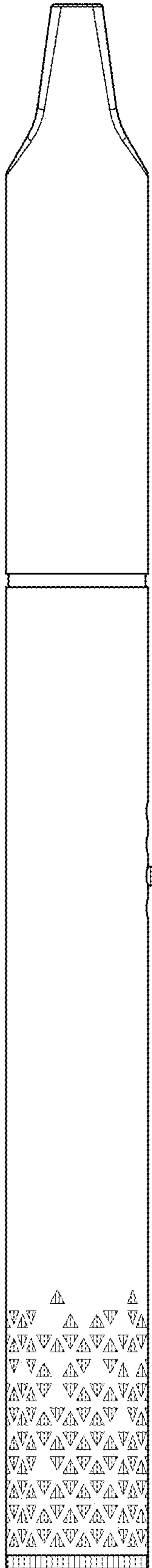


FIG. 19

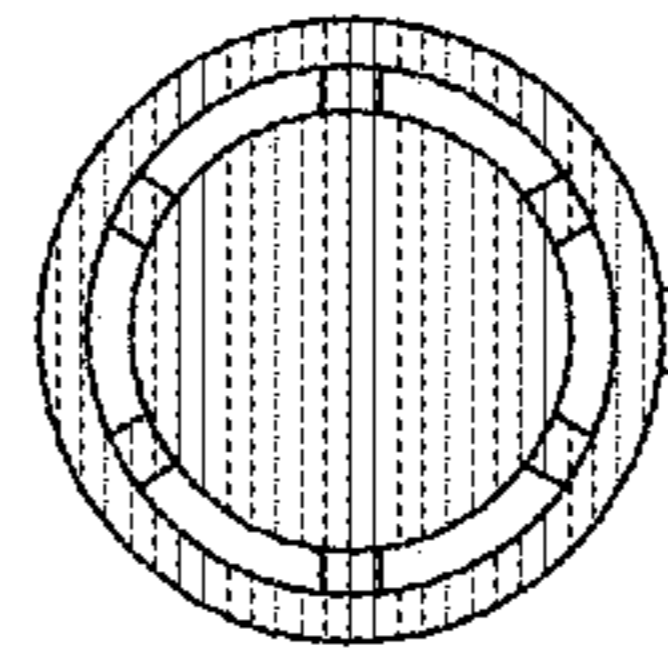


FIG. 21

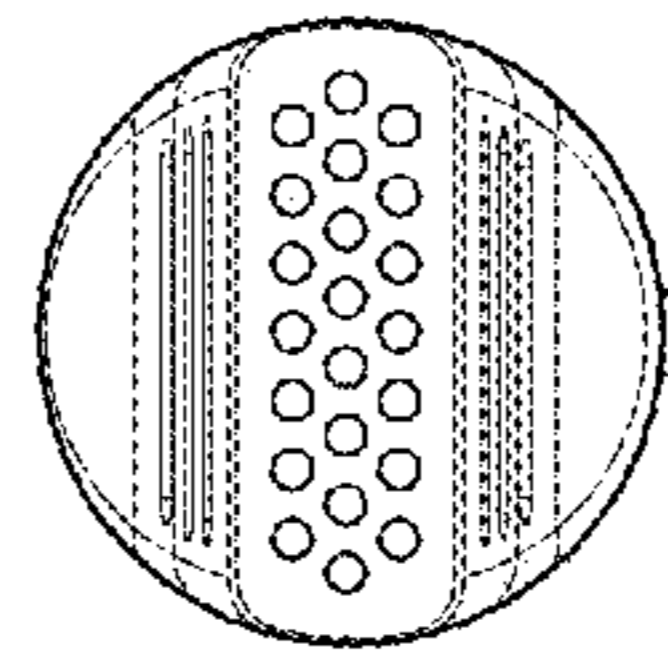
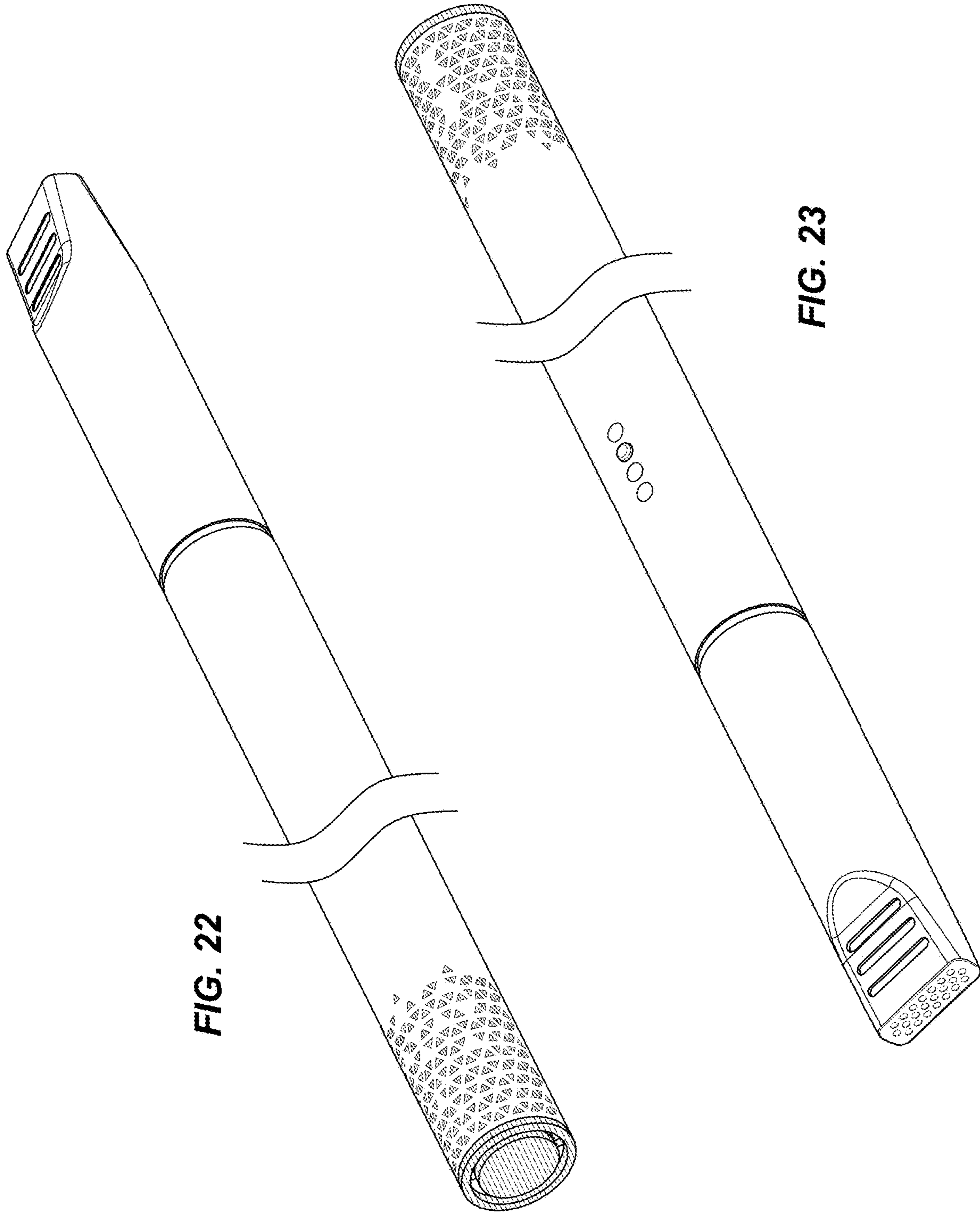


FIG. 20



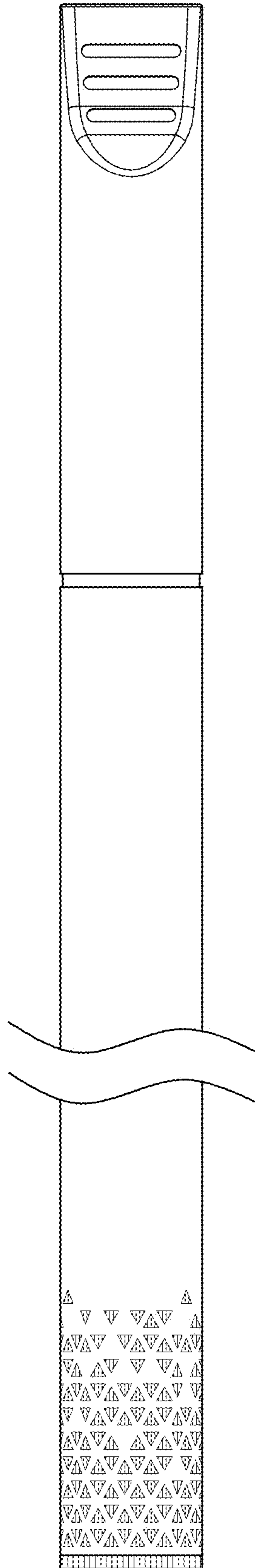


FIG. 24

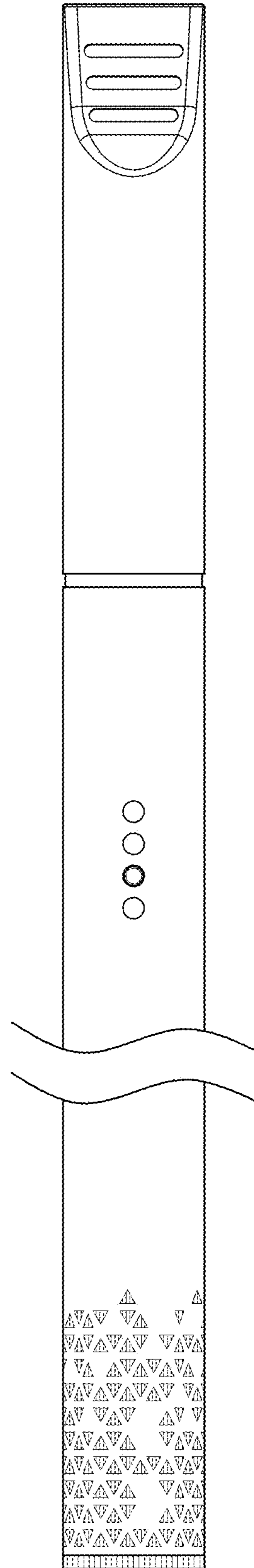


FIG. 25

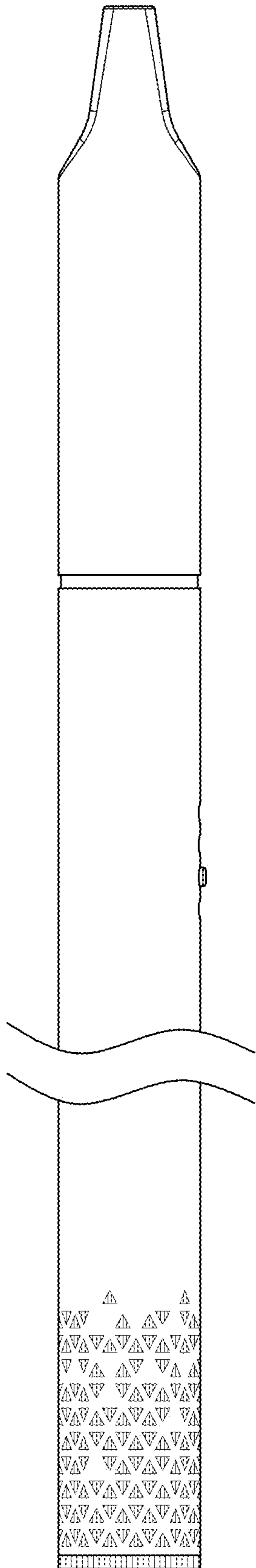


FIG. 26

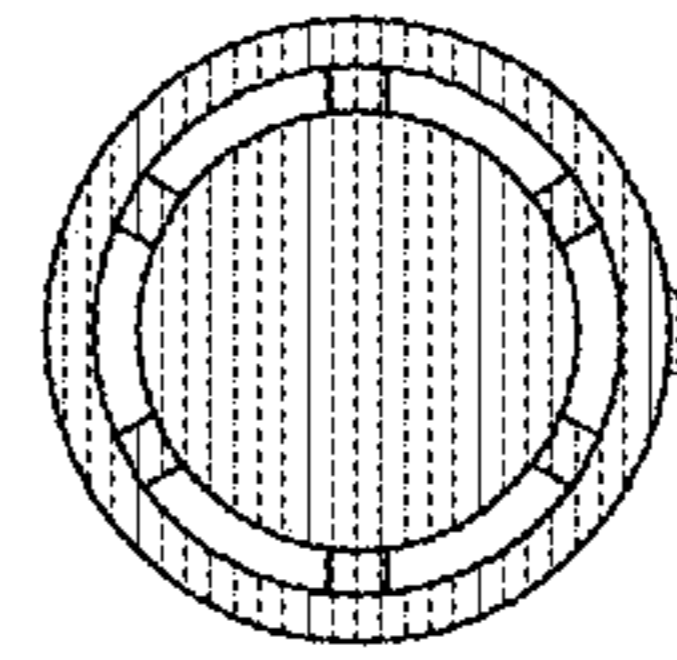


FIG. 28

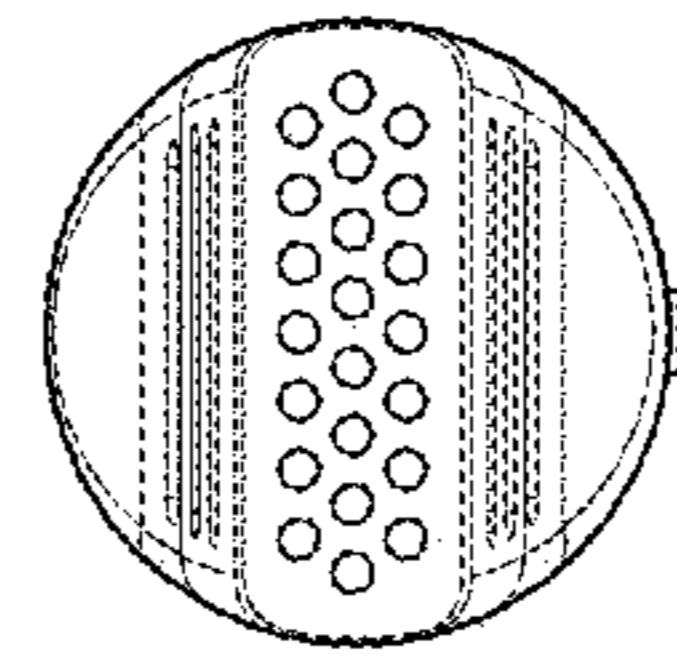


FIG. 27