



US00D892394S

(12) **United States Design Patent** (10) **Patent No.:** **US D892,394 S**
Roys et al. (45) **Date of Patent:** **** Aug. 4, 2020**

(54) **LED MOUNTING ADAPTER**
(71) Applicants: **Curtis Alan Roys**, Fredericksburg, TX (US); **Sidney Howard Norton**, Odessa, TX (US)
(72) Inventors: **Curtis Alan Roys**, Fredericksburg, TX (US); **Sidney Howard Norton**, Odessa, TX (US)

6,056,418 A 5/2000 Hsu
6,109,765 A 8/2000 Blanton
6,216,987 B1 4/2001 Fukuo
6,267,342 B1 7/2001 Huang
6,685,385 B1 2/2004 Ledingham
7,213,941 B2 5/2007 Sloan et al.
7,478,924 B2 1/2009 Robertson
7,744,266 B2 6/2010 Higley et al.
D649,682 S 11/2011 Trzesniowski
(Continued)

(**) Term: **15 Years**
(21) Appl. No.: **29/717,956**
(22) Filed: **Dec. 19, 2019**

FOREIGN PATENT DOCUMENTS

EP 1931006 A1 6/2008

OTHER PUBLICATIONS

U.S. Appl. No. 29/639,296, filed Mar. 5, 2018, Curtis Alan Roys.

Related U.S. Application Data

(62) Division of application No. 29/639,296, filed on Mar. 5, 2018.
(51) **LOC (12) Cl.** **26-05**
(52) **U.S. Cl.**
USPC **D26/142**
(58) **Field of Classification Search**
USPC D26/1, 2, 3, 26, 42, 65, 67, 68, 72, 79, D26/81, 84, 88, 85, 87, 113, 114, 118, D26/124, 128, 131, 134, 138, 140, 141, D26/142, 143, 152, 153
CPC F21S 8/03; F21S 8/031; F21S 8/033; F21S 8/036; F21S 9/03; F21S 9/037; F21V 21/025; F21V 17/10
See application file for complete search history.

Primary Examiner — Mark A Goodwin
Assistant Examiner — Benjamin M Weeks
(74) *Attorney, Agent, or Firm* — Scheinberg & Associates, PC; Michael O. Scheinberg

(57) **CLAIM**

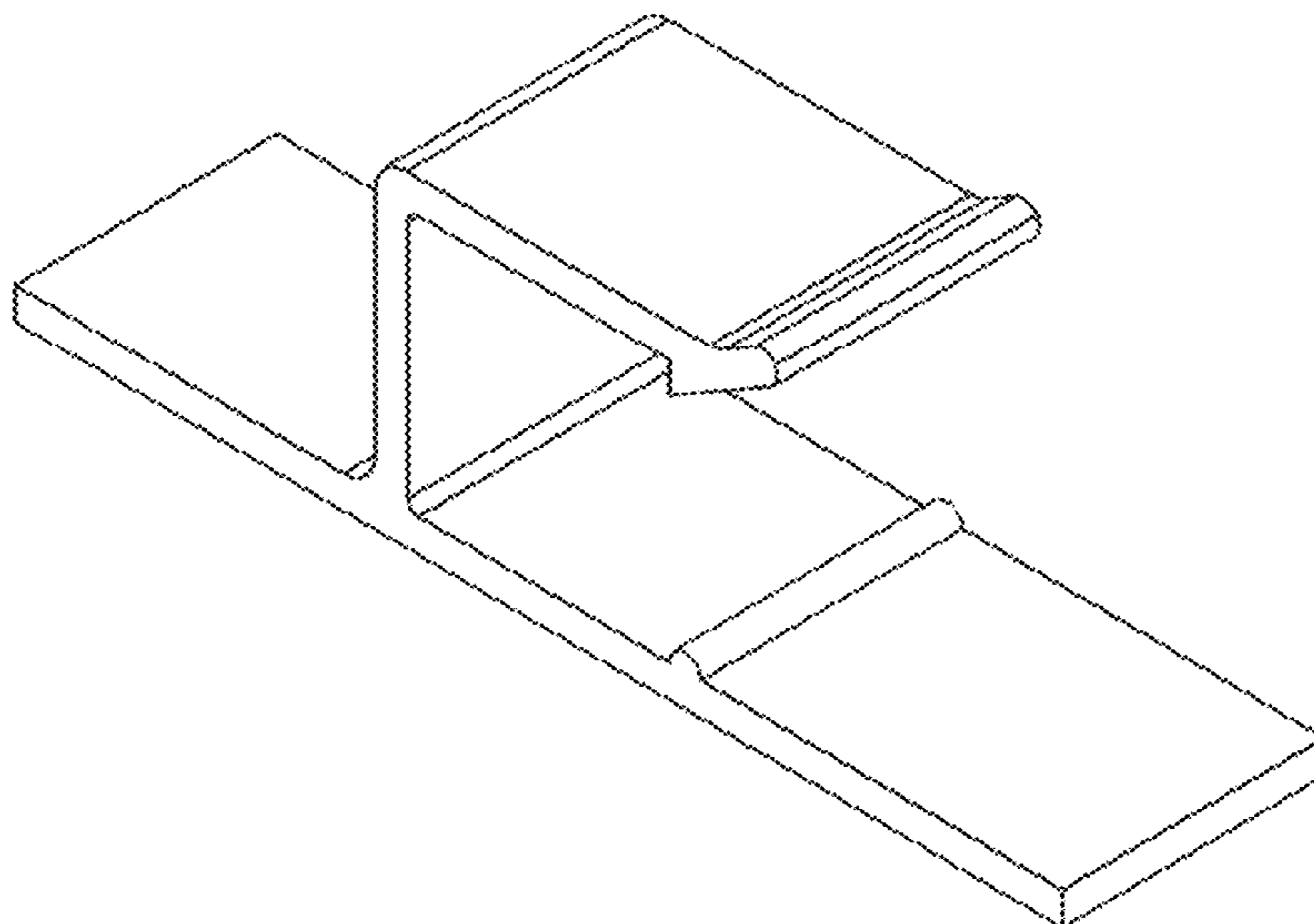
We claim the ornamental design for a LED mounting adapter, as shown and described.

DESCRIPTION

FIG. 1 is an isometric view of an LED mounting adapter showing my new design;
FIG. 2 is a front elevation thereof;
FIG. 3 is a rear elevation thereof;
FIG. 4 is a left side elevation thereof;
FIG. 5 is a right side elevation thereof;
FIG. 6 is a top plan view thereof;
FIG. 7 is a bottom plan view thereof; and,
FIG. 8 shows the LED mounting adapter in the environment in which it is used.
Broken lines illustrate the environmental structure in the drawing and are not part of the design sought to be patented.

(56) **References Cited**
U.S. PATENT DOCUMENTS
3,883,926 A 5/1975 Reynolds
3,894,225 A 7/1975 Chao
4,173,035 A 10/1979 Hoyt
4,439,818 A 3/1984 Scheib
5,288,047 A 2/1994 Pan
5,331,512 A 7/1994 Orton
5,559,681 A 9/1996 Duarte

1 Claim, 4 Drawing Sheets



(56)

References Cited

U.S. PATENT DOCUMENTS

D649,683 S	11/2011	Trzesniowski	D834,399 S	11/2018	MacDonald et al.
D649,692 S	11/2011	Trzesniowski	D845,516 S	4/2019	Yuan
D652,985 S	1/2012	Trzesniowski	D847,412 S	4/2019	Trzcielinski
D652,986 S	1/2012	Trzesniowski	D868,353 S	11/2019	Trzcielinski
D663,048 S	7/2012	Chen	D868,355 S *	11/2019	Trzcielinski D26/138
D665,518 S	8/2012	Takahashi et al.	10,488,020 B2 *	11/2019	Zanotto F21K 9/272
D666,328 S	8/2012	Morton	D869,070 S	12/2019	Trzcielinski
8,240,894 B2	8/2012	Sanroma et al.	D869,071 S *	12/2019	Trzcielinski D26/138
D673,307 S	12/2012	Moghal	D869,072 S *	12/2019	Trzcielinski D26/138
8,449,145 B1	5/2013	Berry et al.	D869,073 S	12/2019	Trzcielinski
8,474,998 B2	7/2013	Wang et al.	D869,074 S *	12/2019	Trzcielinski D26/138
D695,955 S	12/2013	Klus	D869,077 S	12/2019	Trzcielinski
D715,461 S	10/2014	Chen	D869,078 S	12/2019	Trzcielinski
D724,257 S	3/2015	Klus	D869,080 S *	12/2019	Trzcielinski D26/138
D724,259 S	3/2015	Klus	D869,081 S *	12/2019	Trzcielinski D26/138
D724,260 S	3/2015	Klus	D876,001 S *	2/2020	Sugiyama D26/138
D775,409 S	12/2016	Klus	D876,714 S *	2/2020	Klus D26/138
D775,410 S	12/2016	Klus	D877,402 S *	3/2020	Klus D26/138
D792,017 S	7/2017	Klus	2006/0039142 A1	2/2006	Temple
D796,110 S	8/2017	Klus	2007/0242466 A1	10/2007	Wu et al.
D798,471 S	9/2017	Tremaine et al.	2008/0158858 A1	7/2008	Madireddi et al.
D799,065 S	10/2017	Tremaine et al.	2009/0121988 A1	5/2009	Amo et al.
D802,176 S	11/2017	Tan et al.	2009/0146910 A1	6/2009	Gardner
D807,572 S	1/2018	Klus	2009/0296381 A1	12/2009	Dubord
D809,704 S	2/2018	Klus	2011/0019413 A1	1/2011	Zimmerman et al.
D818,187 S	5/2018	Trzesniowski	2011/0058357 A1	3/2011	Anderson
D818,188 S	5/2018	Trzesniowski	2011/0058377 A1	3/2011	Chou et al.
D818,189 S	5/2018	Trzesniowski	2011/0134640 A1	6/2011	Bertele
D818,194 S	5/2018	Trzesniowski	2012/0298813 A1	11/2012	Gibbons et al.
D831,465 S	10/2018	MacDonald et al.	2013/0333197 A1	12/2013	Schulte et al.
D834,398 S	11/2018	MacDonald et al.	2015/0144760 A1	5/2015	Paradiso
			2015/0308631 A1	10/2015	Gorman et al.
			2017/0023186 A1	1/2017	Norton et al.
			2019/0309933 A1	10/2019	Norton et al.

* cited by examiner

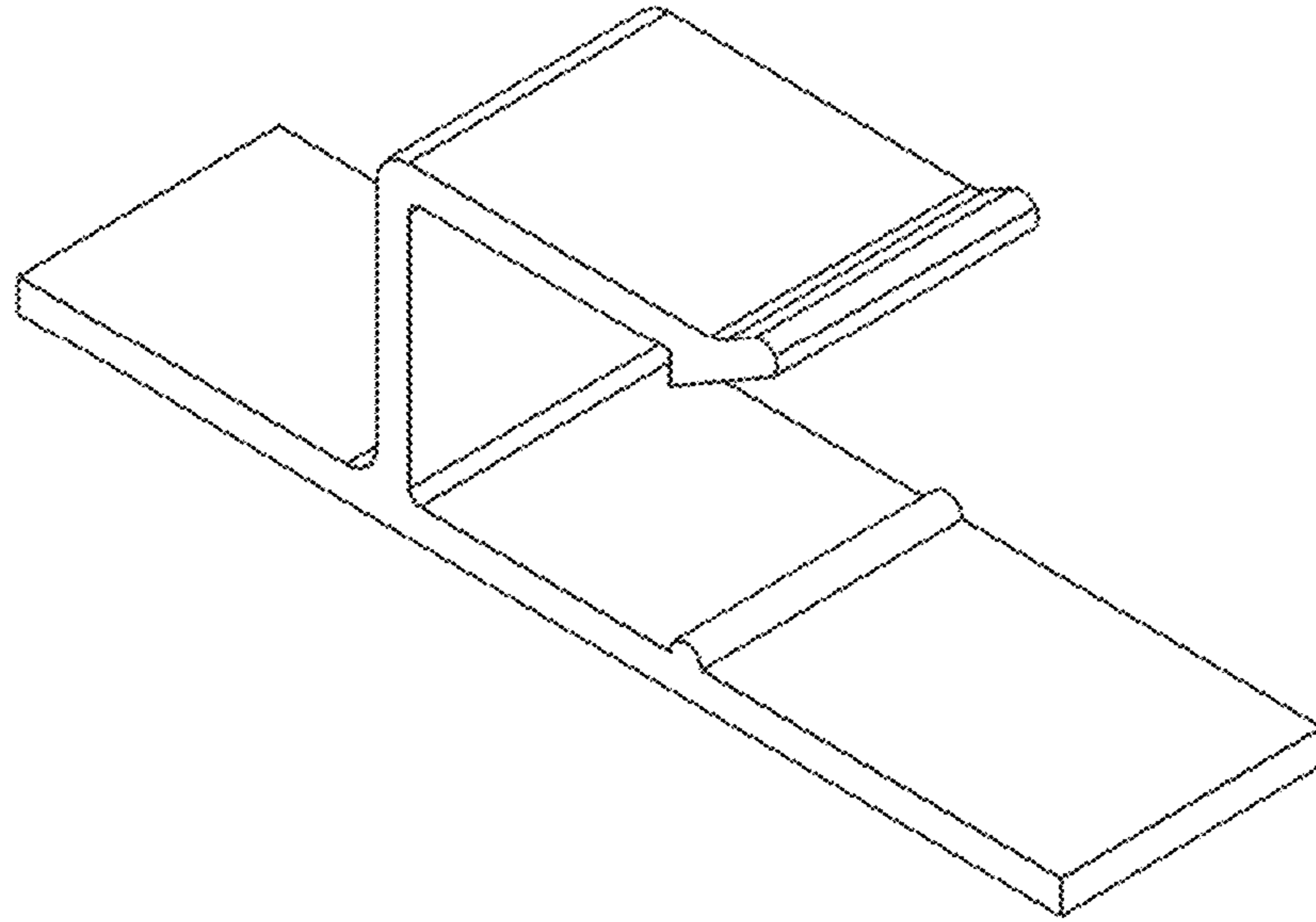


FIG. 1

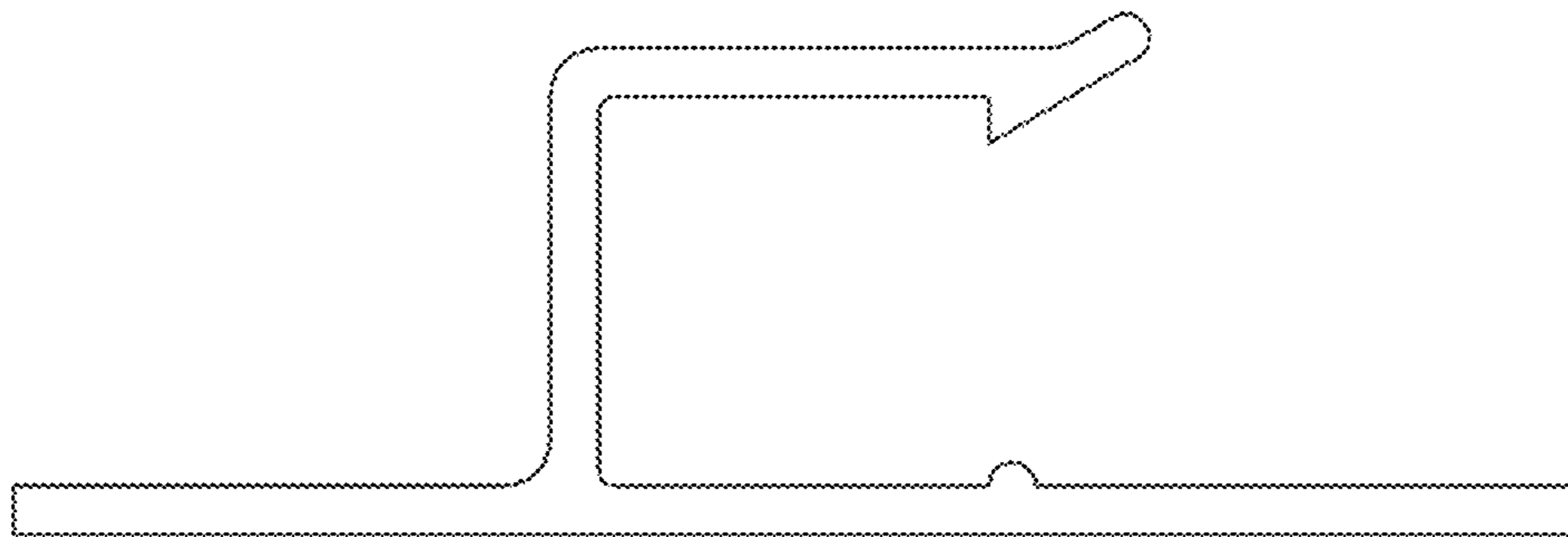


FIG. 2

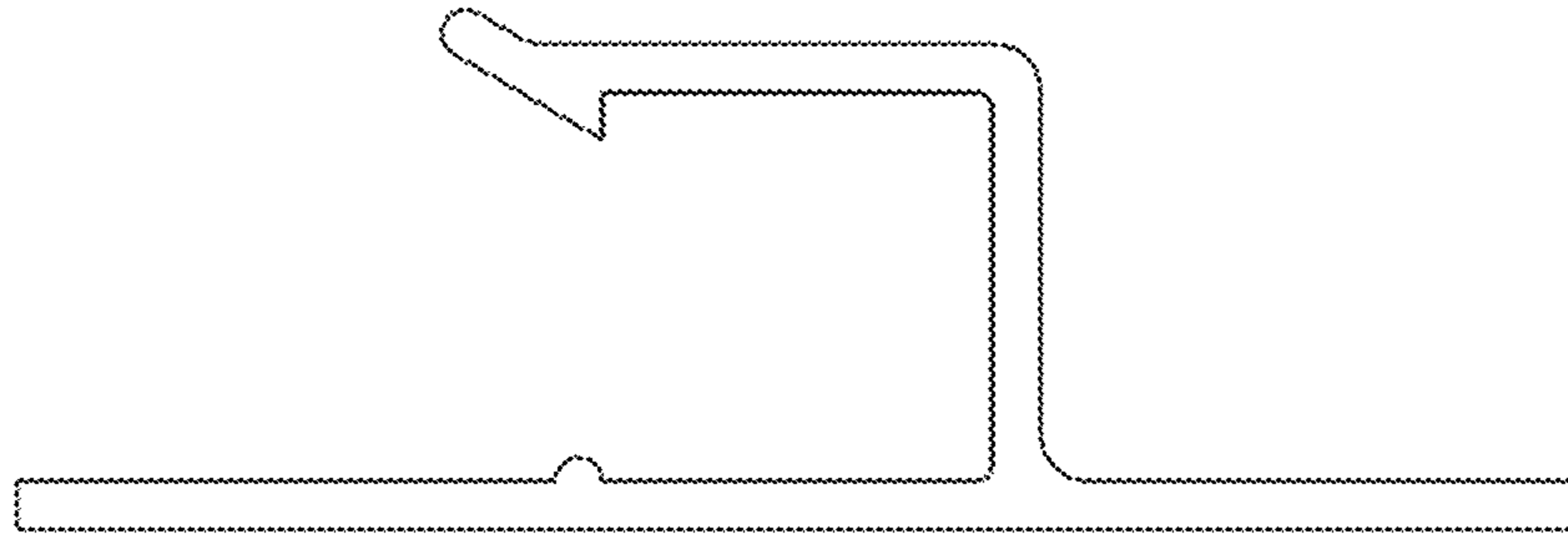


FIG. 3

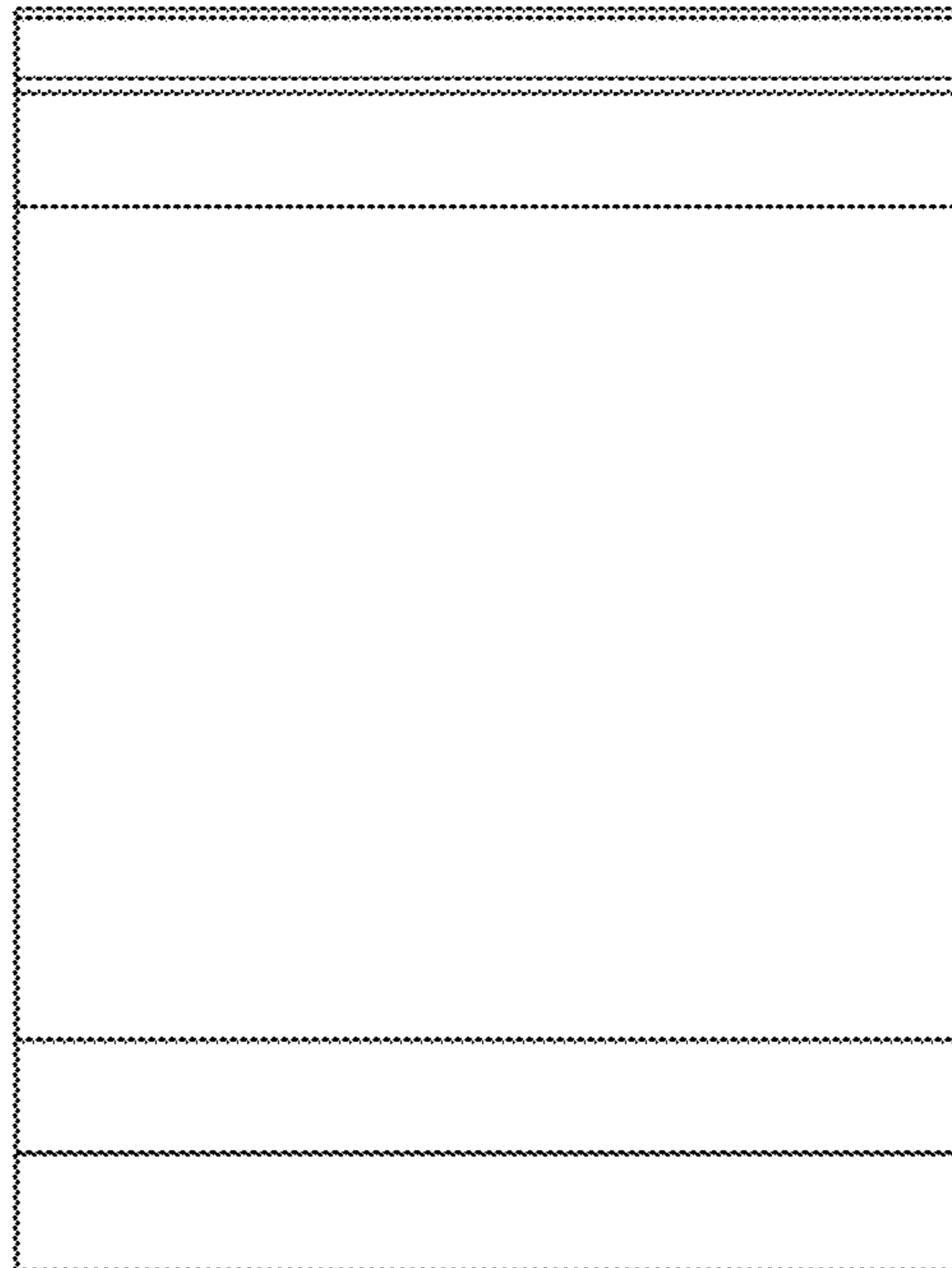


FIG. 4

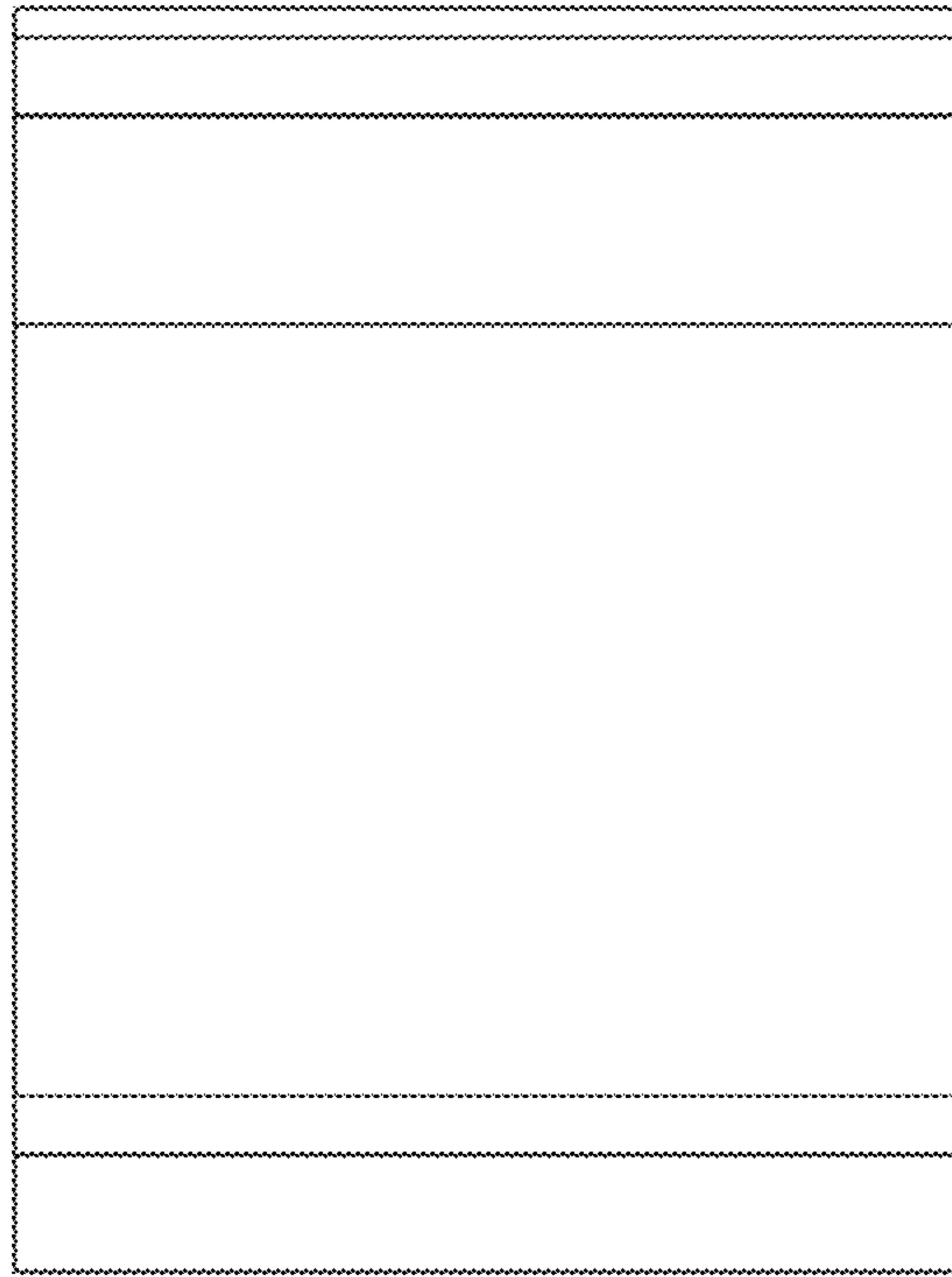


FIG. 5



FIG. 6



FIG. 7

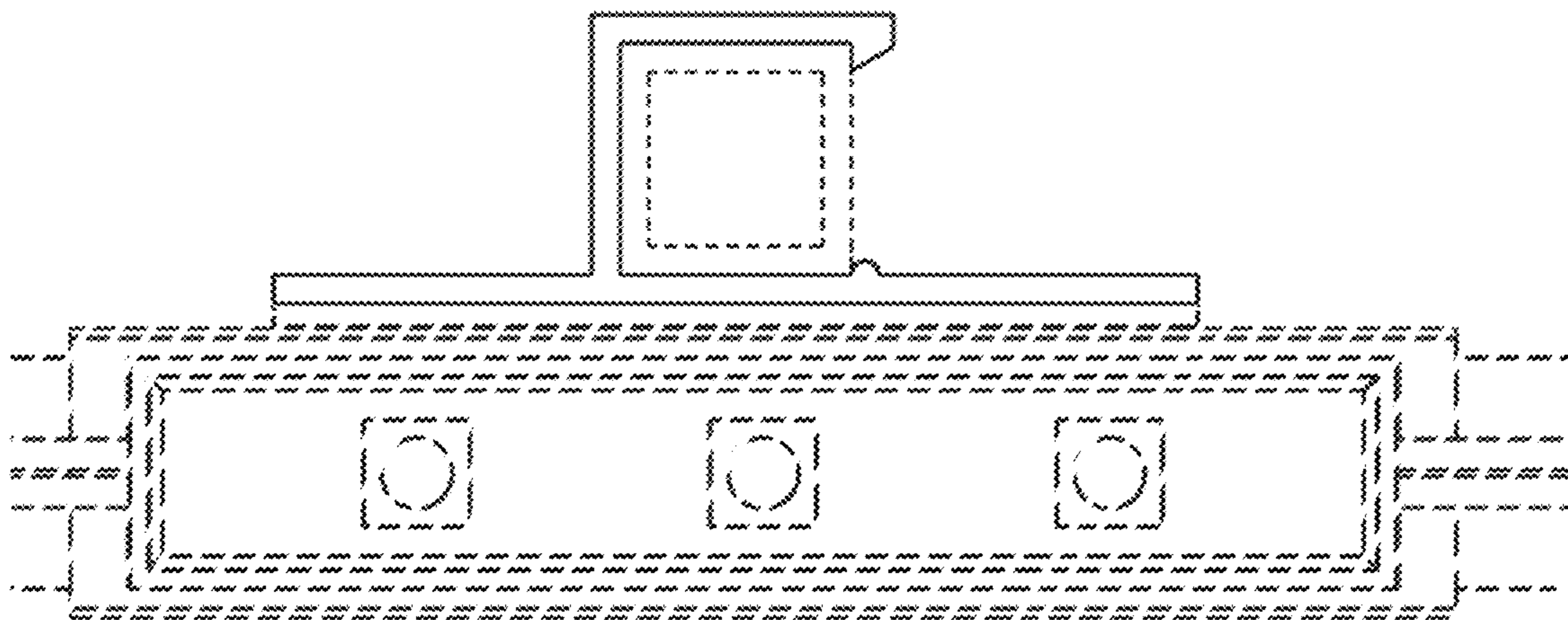


FIG. 8