



US00D892391S

(12) **United States Design Patent** (10) **Patent No.:** **US D892,391 S**  
**Tong** (45) **Date of Patent:** **\*\* Aug. 4, 2020**

(54) **DESK LAMP**

(56) **References Cited**

(71) Applicant: **Shenzhen Highstar Electrical Co., Ltd.**, Shenzhen, Guangdong (CN)

U.S. PATENT DOCUMENTS

(72) Inventor: **Guoming Tong**, Guangdong (CN)

D480,827 S \* 10/2003 Hsieh ..... D26/108  
D582,087 S \* 12/2008 Su ..... D26/63  
D600,386 S \* 9/2009 Huang ..... D26/63  
D742,573 S \* 11/2015 Kern ..... D26/107  
D802,202 S \* 11/2017 Zahn ..... D26/108

(73) Assignee: **Shenzhen Highstar Electrical Co., Ltd.**, Shenzhen (CN)

\* cited by examiner

(\*\*) Term: **15 Years**

*Primary Examiner* — Brian N. Vinson

(21) Appl. No.: **29/678,393**

(57) **CLAIM**

The ornamental design for a desk lamp, as shown and described.

(22) Filed: **Jan. 29, 2019**

**DESCRIPTION**

(30) **Foreign Application Priority Data**

Aug. 30, 2018 (CN) ..... 2018 3 0484625

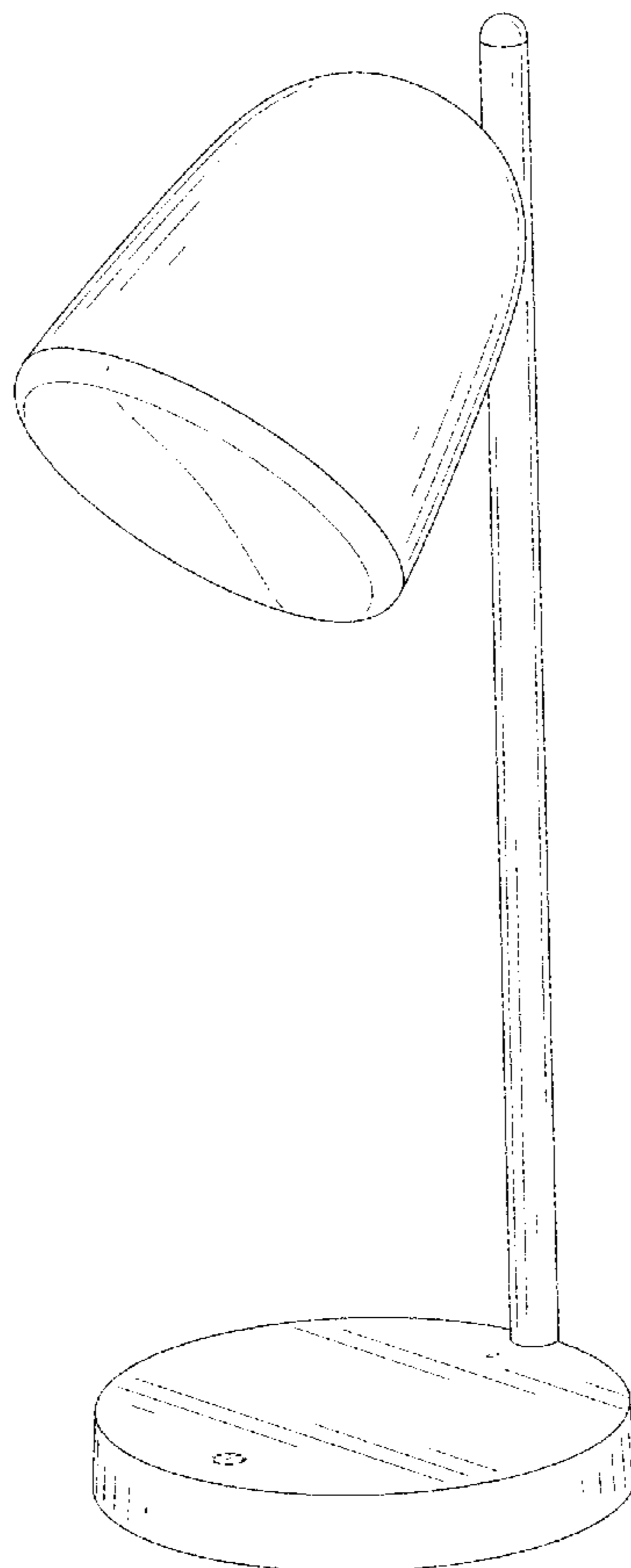
(51) **LOC (12) Cl.** ..... **26-03**

(52) **U.S. Cl.**  
USPC ..... **D26/108**

(58) **Field of Classification Search**  
USPC ..... D26/24, 93, 3, 108  
CPC .... F21S 6/00; F21S 6/004; F21S 6/002; F21S 6/006; F21S 8/00; F21S 10/00; F21V 21/02; F21W 2131/30; F21Y 2105/00  
See application file for complete search history.

FIG. 1 is a top, front and right side perspective view of a desk lamp showing my new design;  
FIG. 2 is a top, rear and right side perspective view thereof;  
FIG. 3 is a front elevational view thereof;  
FIG. 4 is a rear elevational view thereof;  
FIG. 5 is a left side view thereof;  
FIG. 6 is a right side view thereof;  
FIG. 7 is a top plan view thereof; and,  
FIG. 8 is a bottom plan view thereof.  
The broken lines in the drawings illustrate portions of the desk lamp which form no part of the claimed design.

**1 Claim, 8 Drawing Sheets**



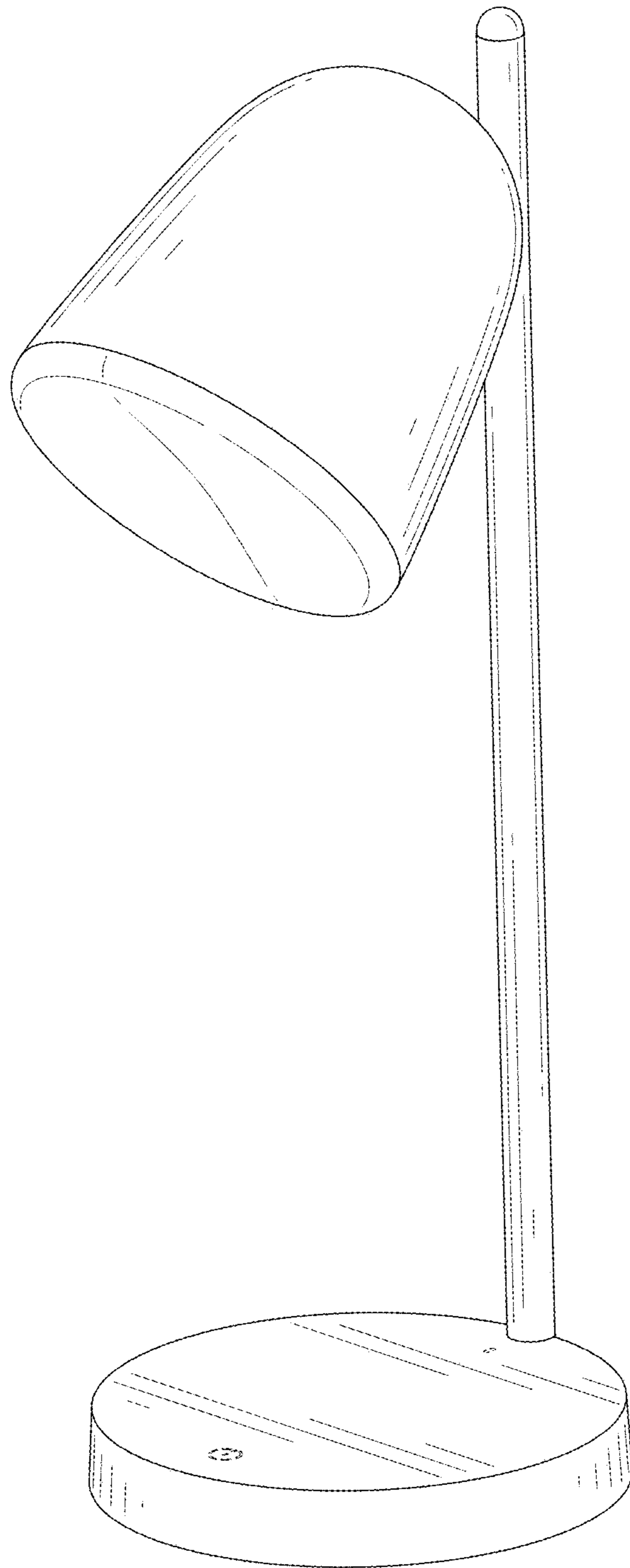


FIG. 1

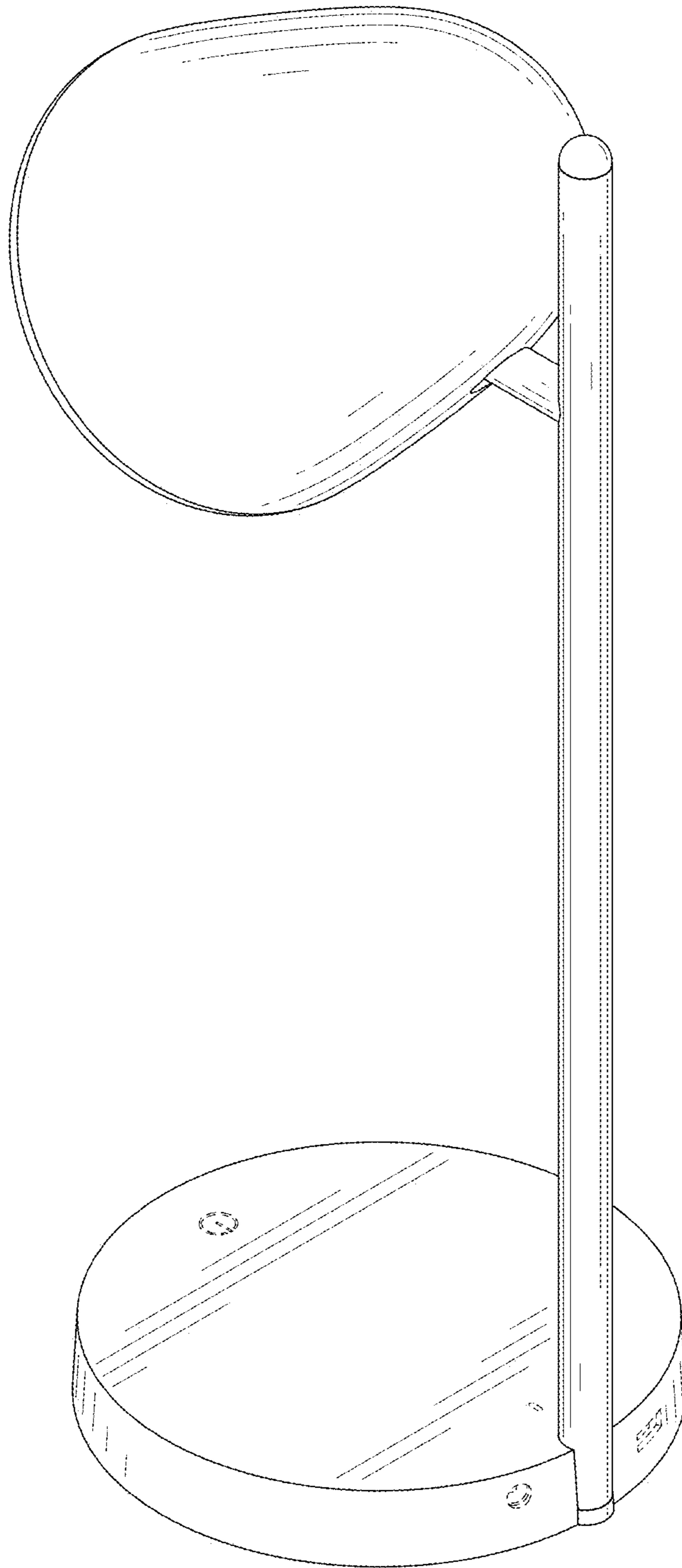


FIG. 2

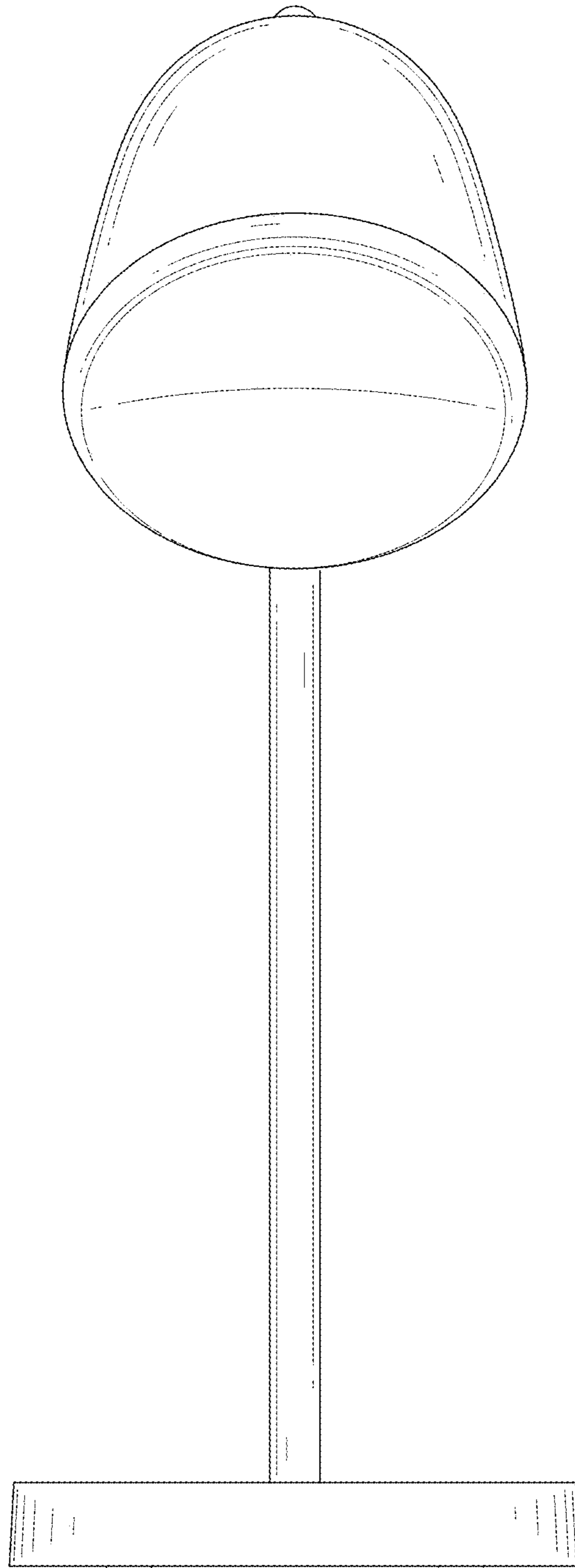


FIG. 3

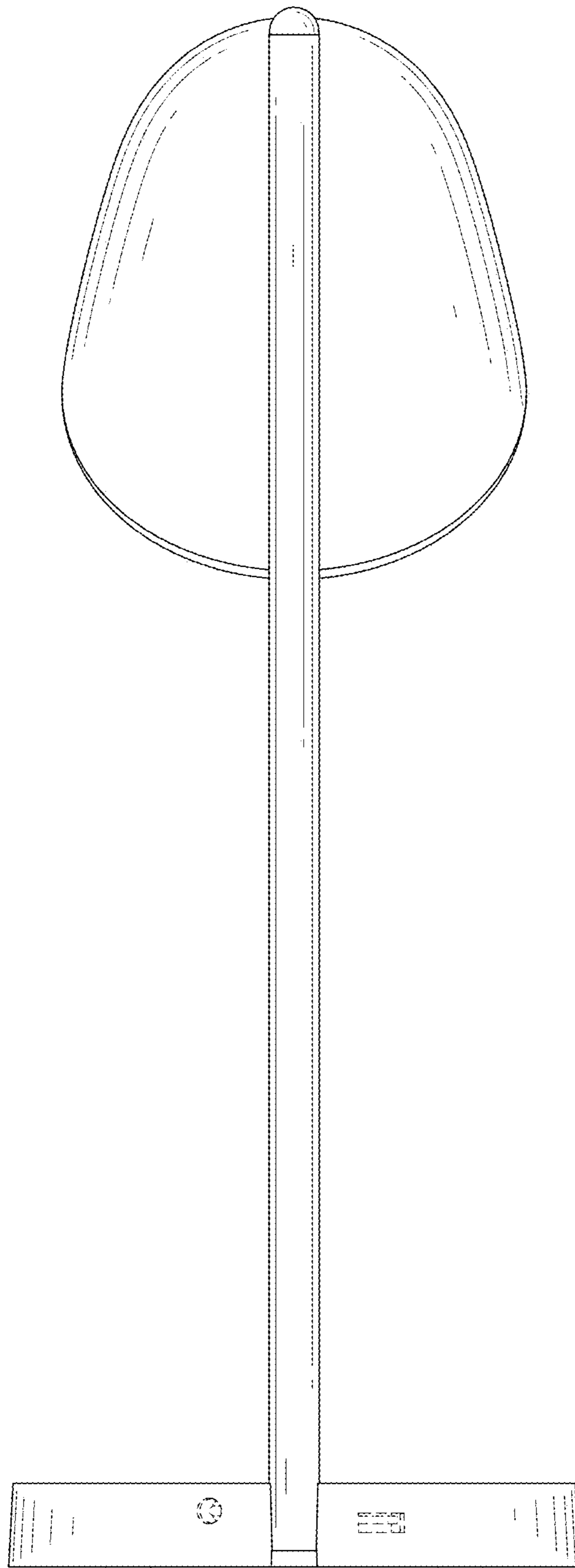


FIG. 4

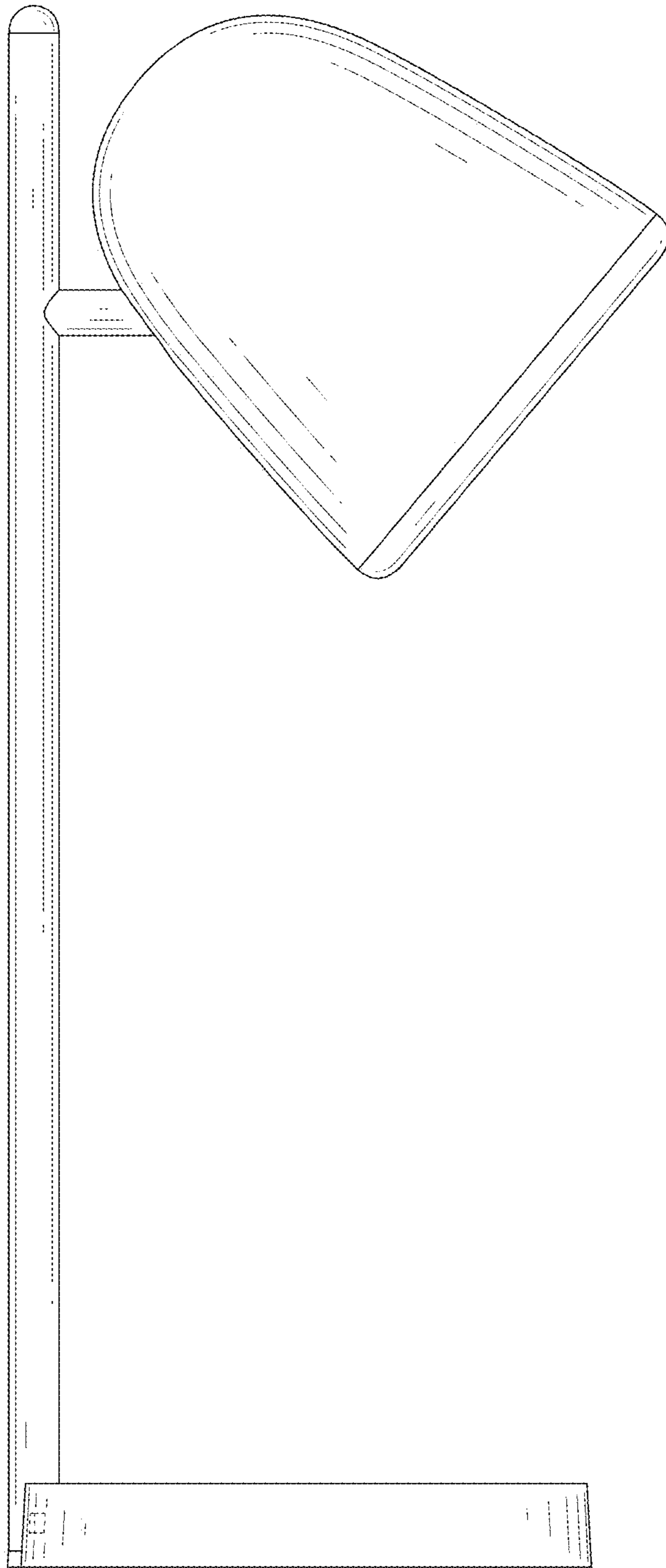


FIG. 5

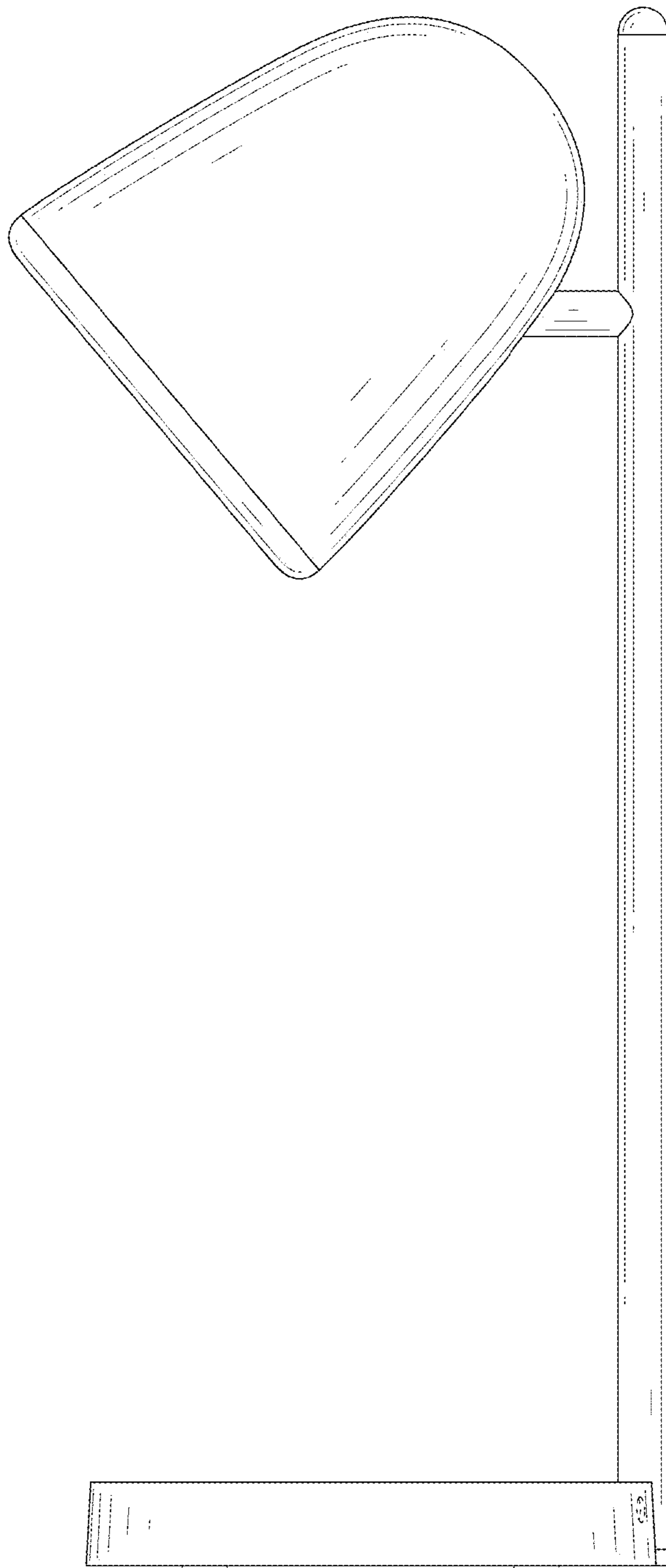


FIG. 6

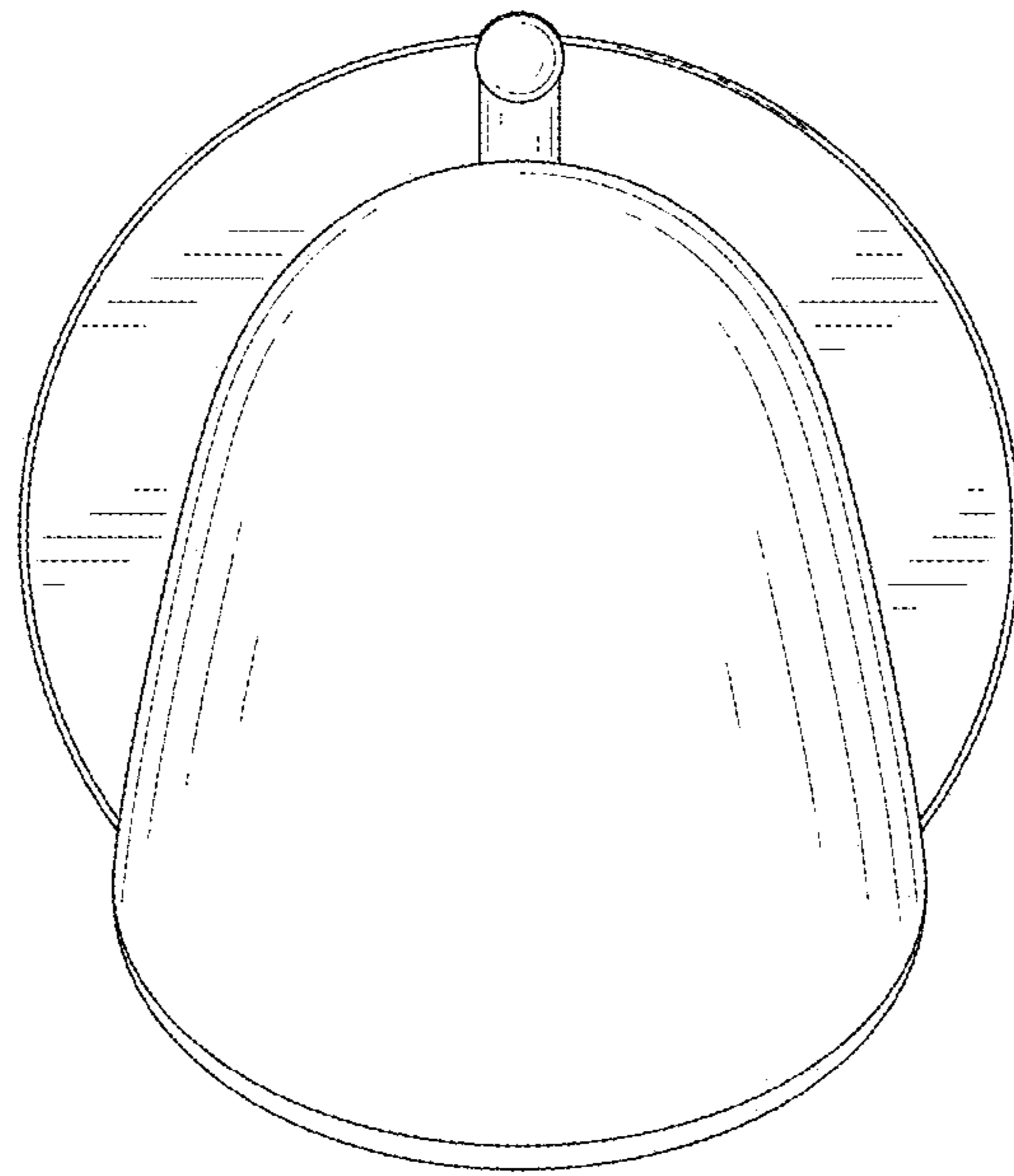


FIG. 7



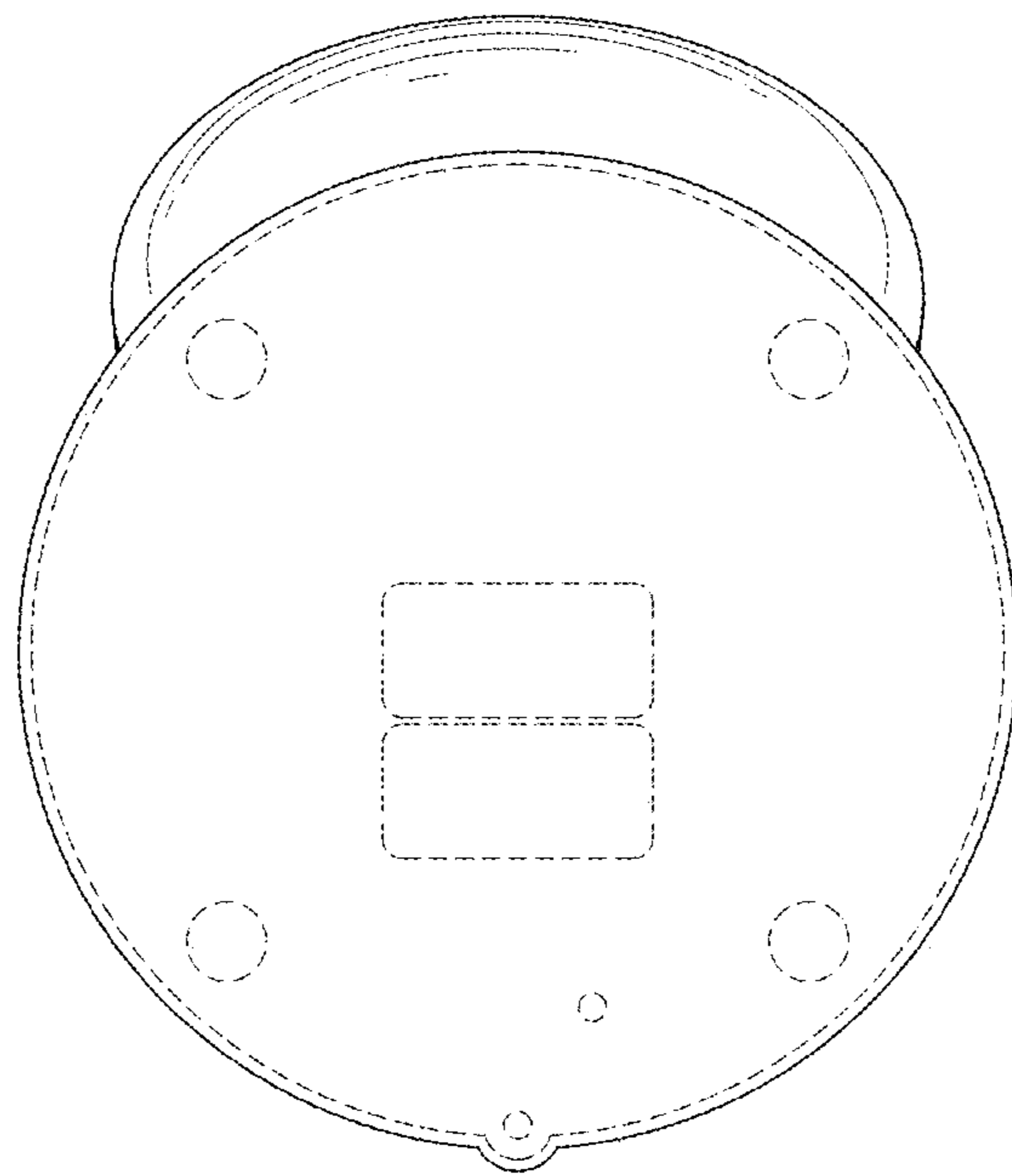


FIG. 8