



US00D892388S

(12) **United States Design Patent** (10) **Patent No.:** **US D892,388 S**
Silver (45) **Date of Patent:** **** Aug. 4, 2020**

- (54) **LUMINAIRE**
- (71) Applicant: **Beta-Calco Inc.**, Toronto (CA)
- (72) Inventor: **Remy Silver**, Toronto (CA)
- (73) Assignee: **Beta-Calco, Inc.**, Toronto (CA)
- (**) Term: **15 Years**
- (21) Appl. No.: **29/724,014**
- (22) Filed: **Feb. 12, 2020**

Related U.S. Application Data

- (62) Division of application No. 29/633,003, filed on Jan. 11, 2018.

Foreign Application Priority Data

Aug. 11, 2017 (CA) 176404

- (51) **LOC (12) Cl.** **26-03**

- (52) **U.S. Cl.**
USPC **D26/89**

- (58) **Field of Classification Search**
USPC D26/72, 74, 80, 83, 85, 88, 89, 90, 91
CPC F21S 8/03; F21S 8/04; F21S 8/043; F21S 8/046; F21V 21/02; F21V 21/03; F21V 21/047; F21V 21/049
See application file for complete search history.

(56) **References Cited**

U.S. PATENT DOCUMENTS

- D532,142 S * 11/2006 Matsui D26/80
- D551,379 S * 9/2007 Maxik D26/74
- D595,402 S * 6/2009 Miyake D23/385
- D633,243 S * 2/2011 Call D26/72
- D637,752 S * 5/2011 Mekhtarian D26/72
- D648,060 S * 11/2011 Yamamoto D26/120
- D718,484 S * 11/2014 Eberle D26/89

- D731,692 S * 6/2015 Boyer D26/74
- D732,224 S * 6/2015 Boyer D26/74
- D848,047 S * 5/2019 Santoro D26/74
- 2012/0063134 A1 * 3/2012 Hsu F21V 15/01
362/244
- 2015/0167948 A1 * 6/2015 Wasserman F21S 2/005
362/249.01
- 2020/0041106 A1 * 2/2020 Ninomiya F21V 21/044

OTHER PUBLICATIONS

Tial ceiling light fixture from Beta-Calco. betacalco.com visited Apr. 13, 2020. (Year: 2020).*

(Continued)

Primary Examiner — Clare E Heflin

(74) *Attorney, Agent, or Firm* — Renner, Otto, Boisselle & Sklar, LLP

(57) **CLAIM**

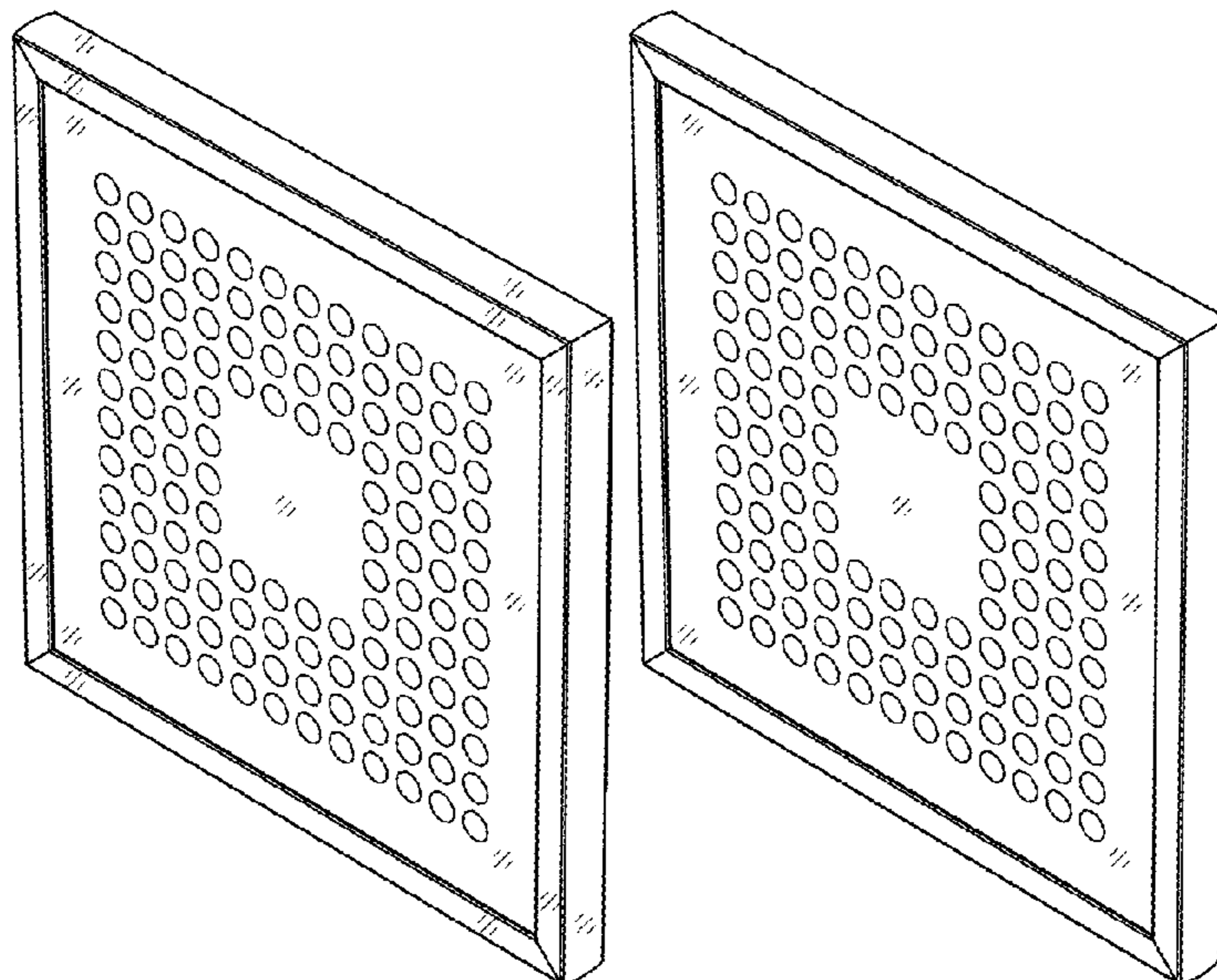
The ornamental design for a luminaire, as shown and described.

DESCRIPTION

FIG. 1 is a bottom perspective view of a luminaire showing a first variant of the design;
 FIG. 2 is a front view thereof;
 FIG. 3 is a side view thereof;
 FIG. 4 is a top view thereof;
 FIG. 5 is a bottom view thereof;
 FIG. 6 is a bottom perspective view of a luminaire showing a second variant of the design;
 FIG. 7 is a front view thereof;
 FIG. 8 is a side view thereof;
 FIG. 9 is a top view thereof; and,
 FIG. 10 is a bottom view thereof.

The portions of the luminaire shown in broken lines form no part of the design. The thin diagonal lines indicate translucency.

1 Claim, 2 Drawing Sheets



(56)

References Cited

OTHER PUBLICATIONS

Flat ceiling lamp by Panzeri; found at <https://www.archiproducts.com/en/products/panzeri/led-direct-light-ceiling-light-flat-ceiling-lamp_136447> visited Apr. 13, 2020 (Year: 2020).*

Wynter square 22 Flush Mount light fixture, found at techlighting.com ©2019 (Year: 2019).*

* cited by examiner

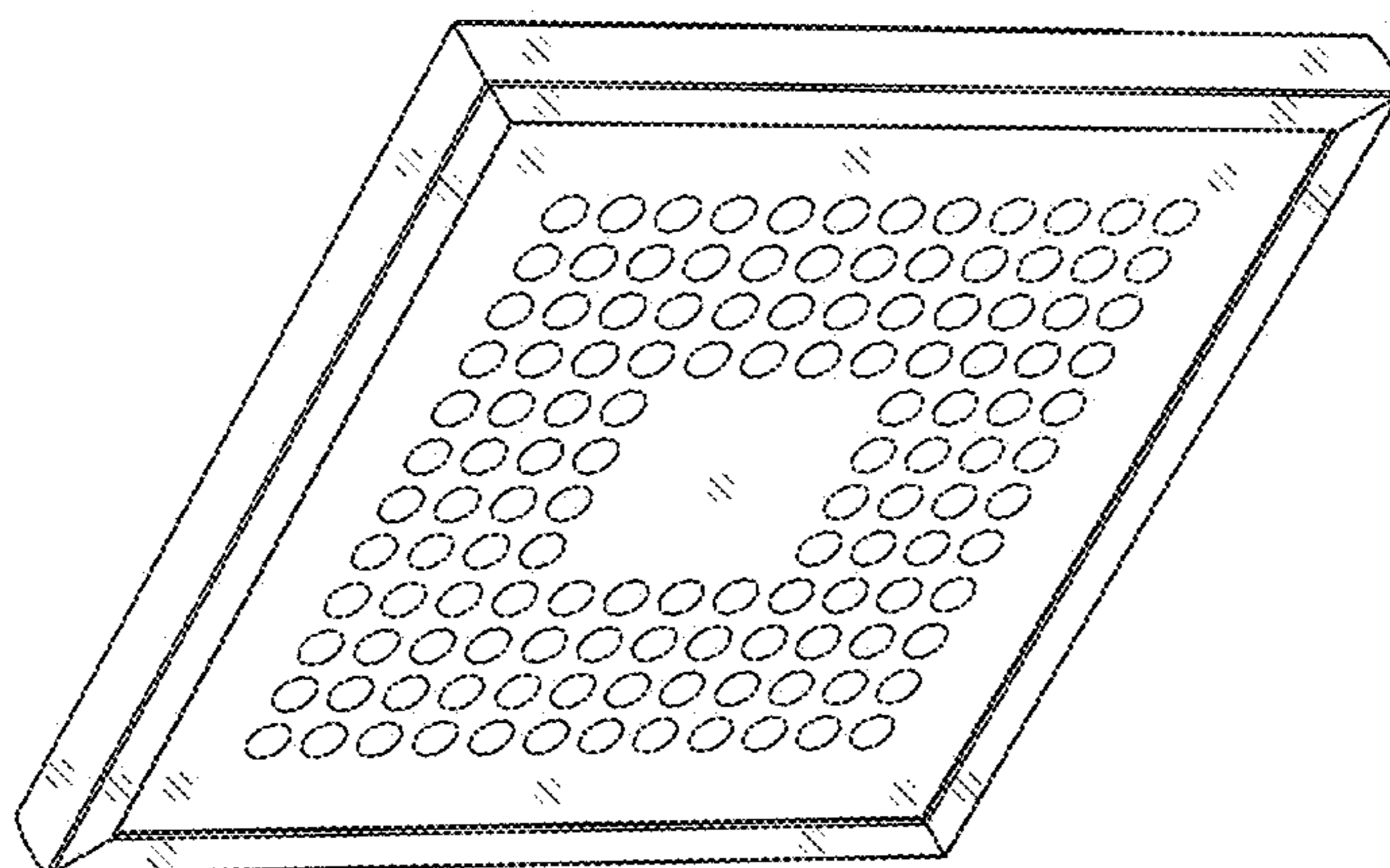


FIG. 1

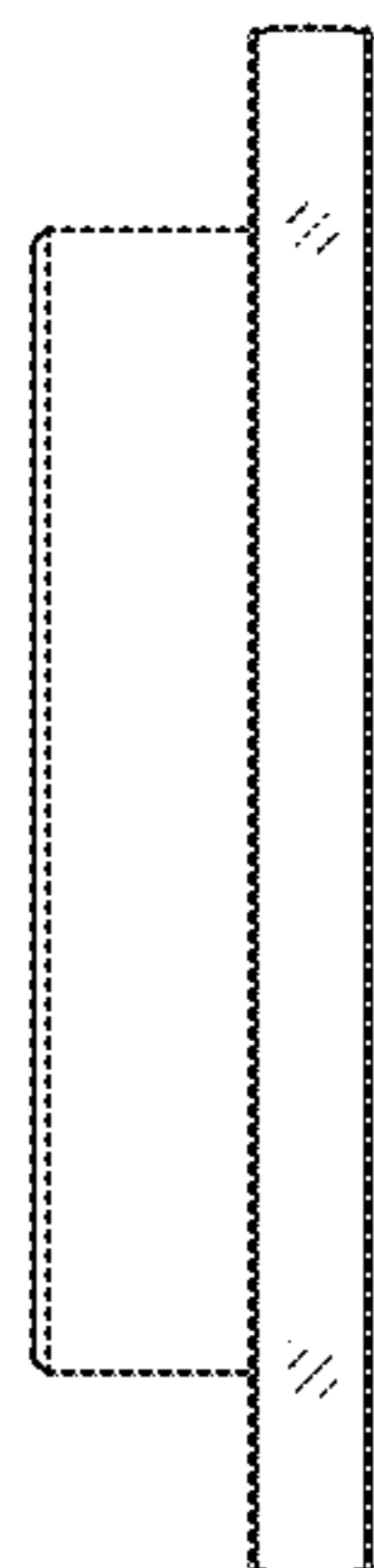


FIG. 2

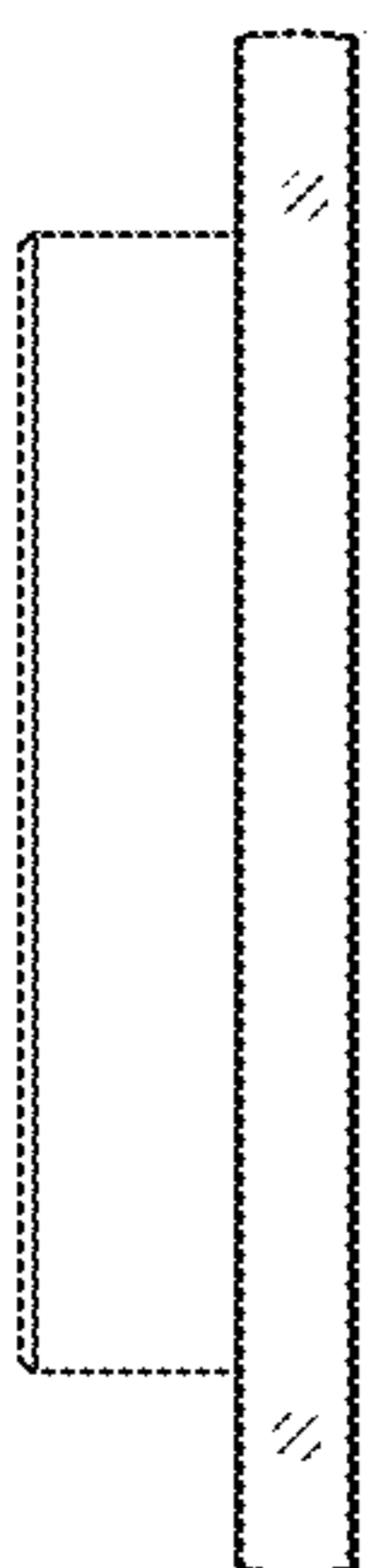


FIG. 3

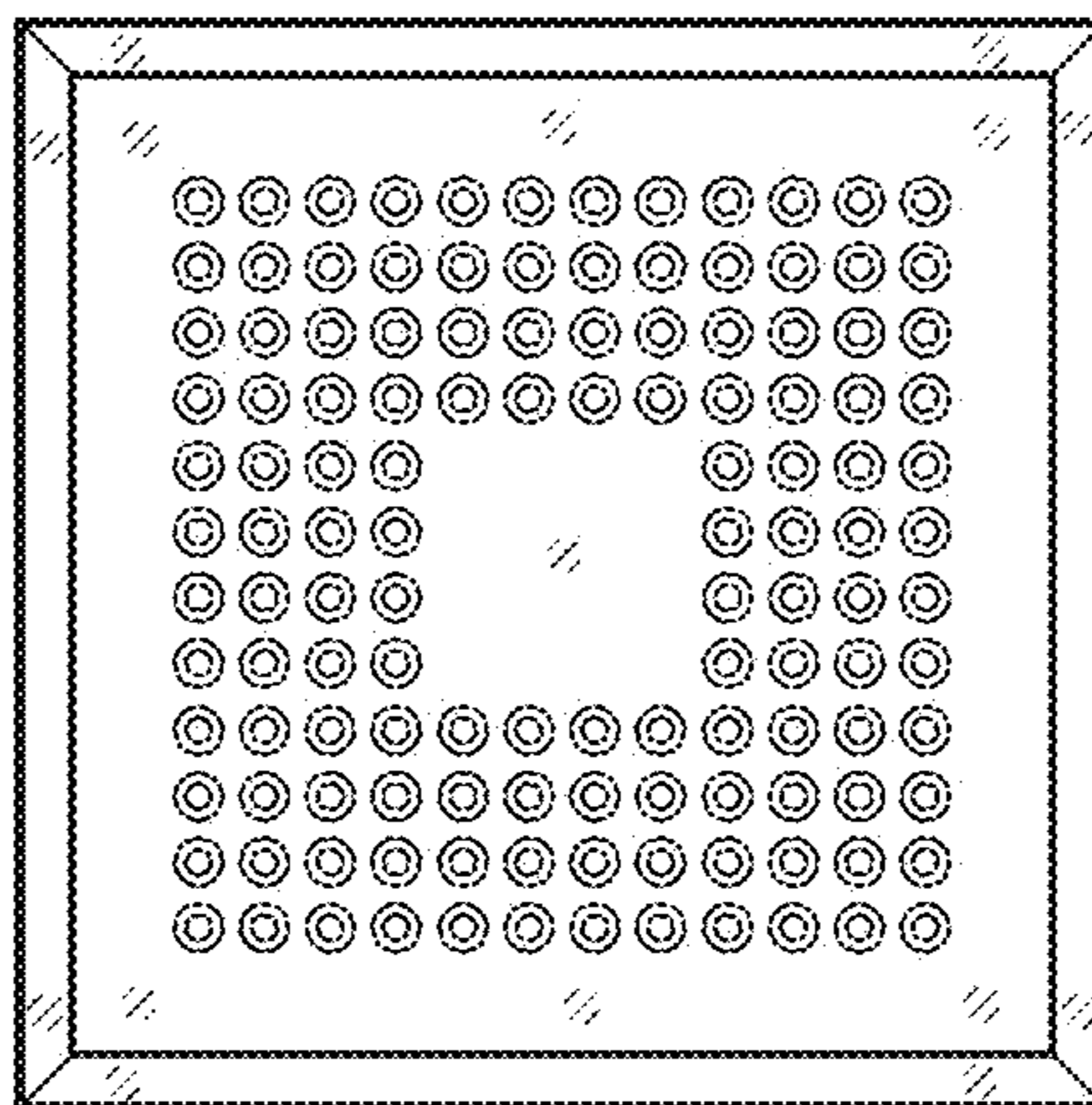


FIG. 4

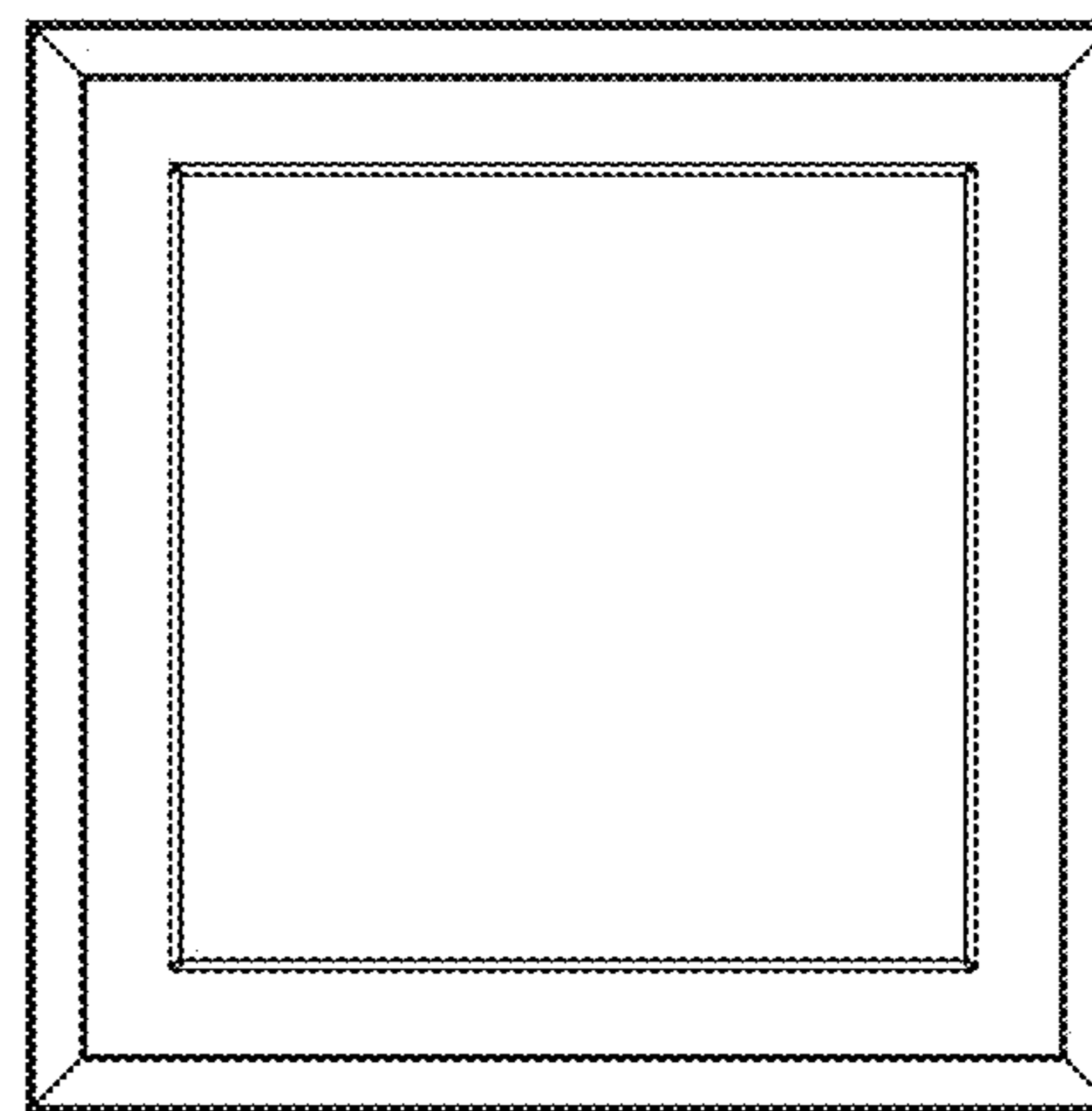


FIG. 5

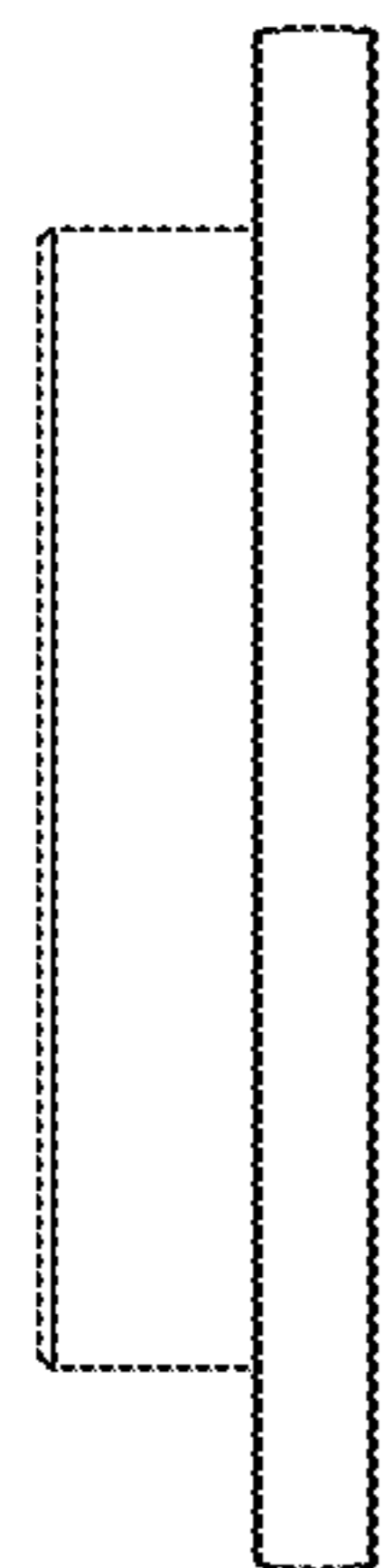


FIG. 7

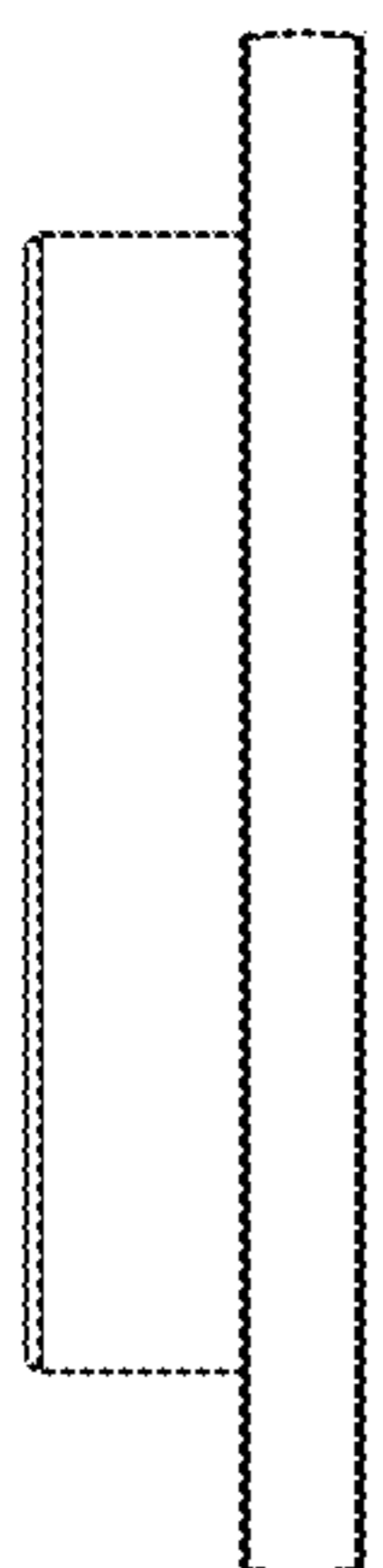


FIG. 8

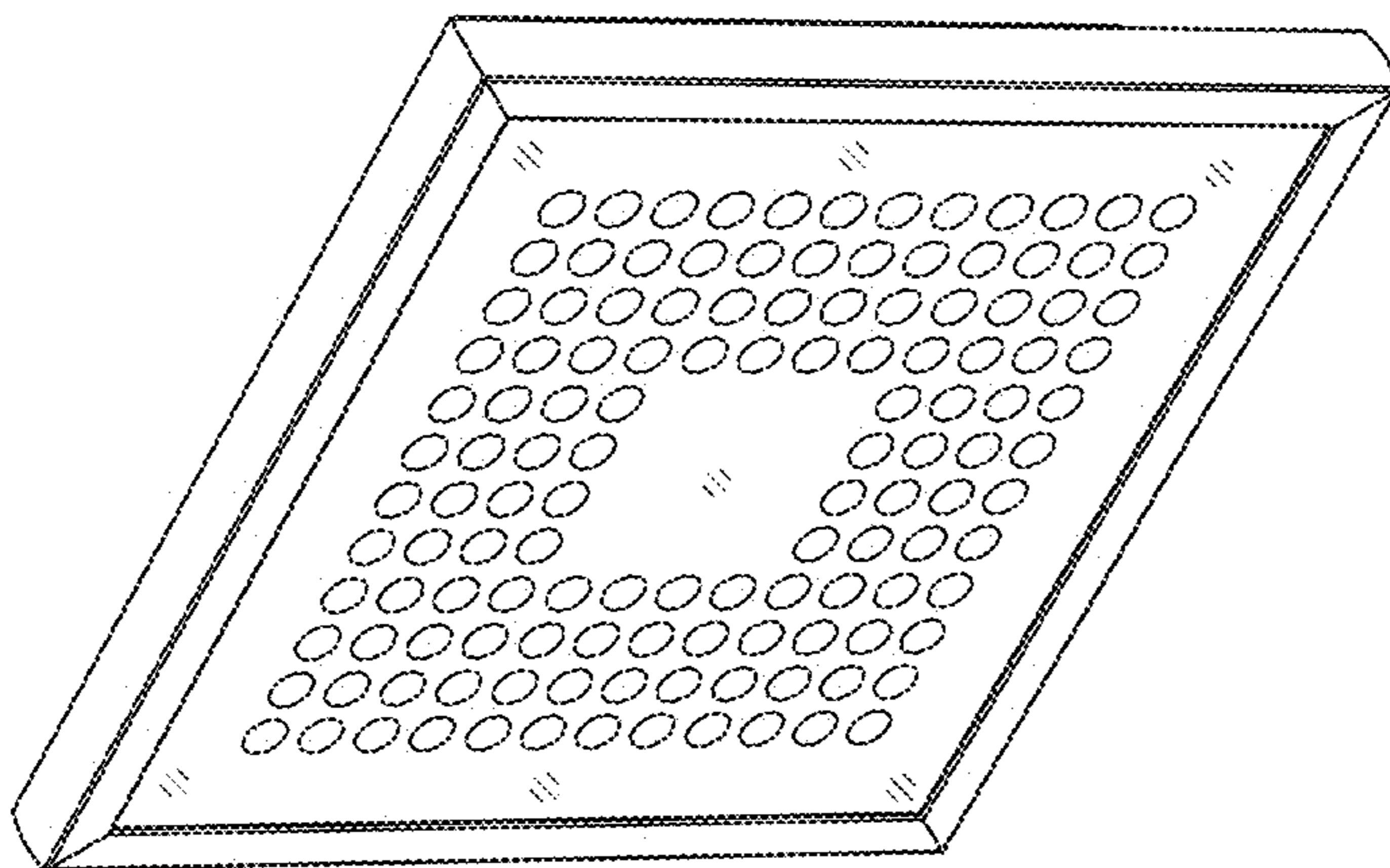


FIG. 9

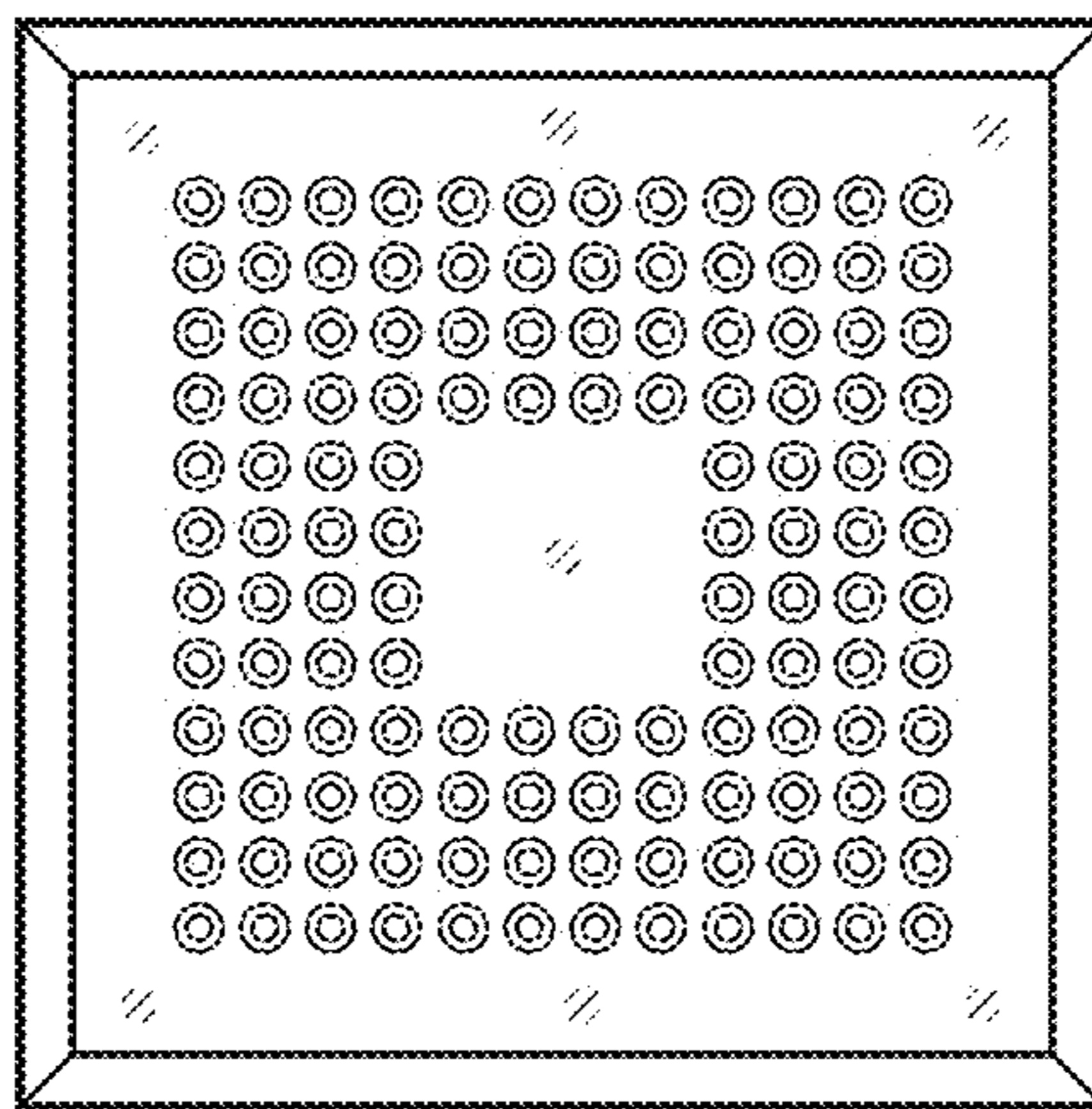


FIG. 10

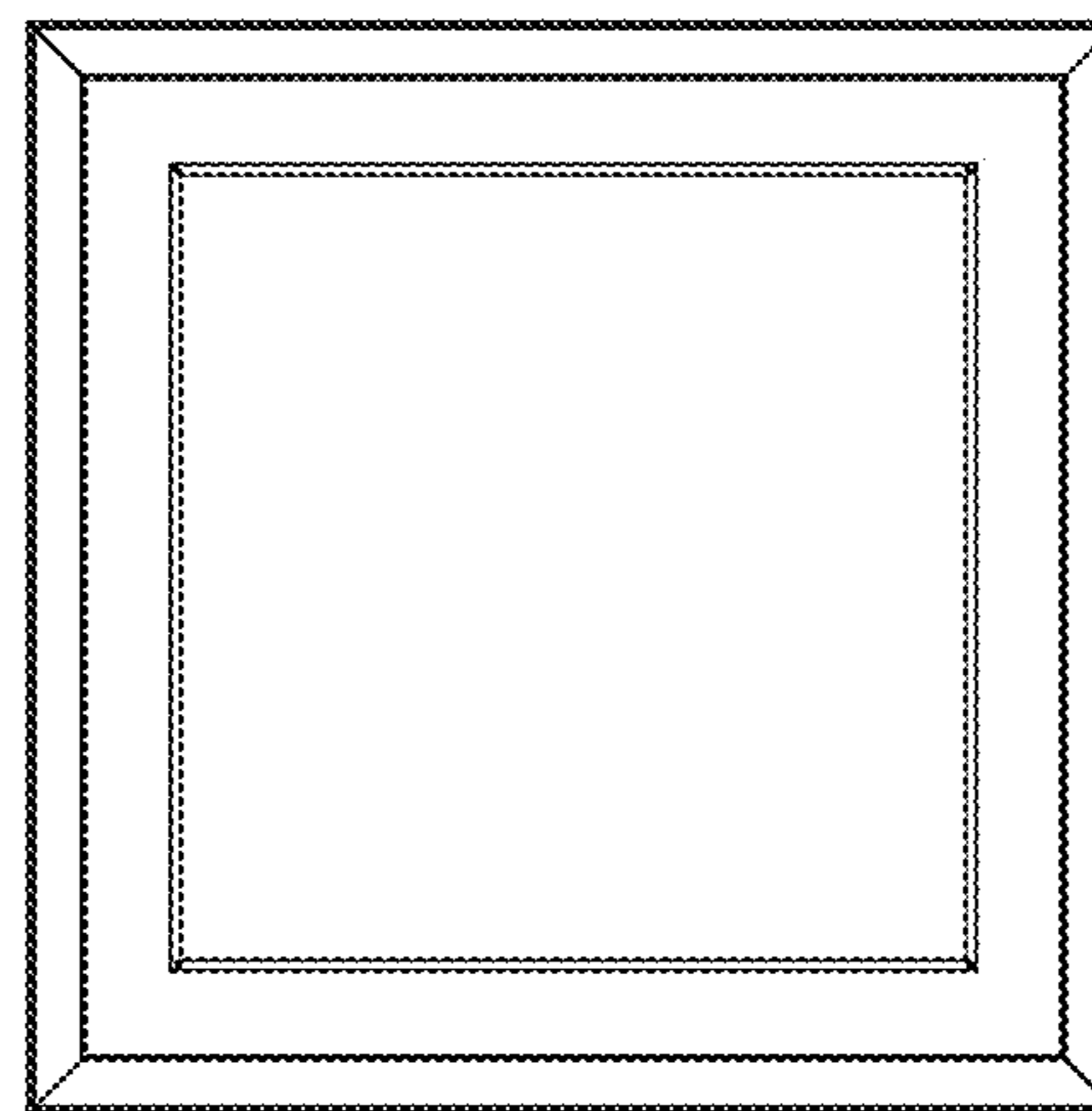


FIG. 11