



US00D892387S

(12) **United States Design Patent** (10) **Patent No.:** **US D892,387 S**
Silver (45) **Date of Patent:** **** Aug. 4, 2020**

(54) **LUMINAIRE**
(71) Applicant: **Beta-Calco Inc.**, Toronto (CA)
(72) Inventor: **Remy Silver**, Toronto (CA)
(73) Assignee: **Beta-Calco Inc.**, Toronto (CA)
(**) Term: **15 Years**
(21) Appl. No.: **29/724,013**
(22) Filed: **Feb. 12, 2020**

Related U.S. Application Data

(62) Division of application No. 29/633,003, filed on Jan. 11, 2018.

(30) **Foreign Application Priority Data**

Aug. 11, 2017 (CA) 176404

(51) **LOC (12) Cl.** **26-03**

(52) **U.S. Cl.**
USPC **D26/89**

(58) **Field of Classification Search**
USPC D26/72, 74, 80, 83, 85, 88, 89, 90, 91
(Continued)

(56) **References Cited**

U.S. PATENT DOCUMENTS

D532,142 S * 11/2006 Matsui D26/80
D551,379 S * 9/2007 Maxik D26/74
(Continued)

OTHER PUBLICATIONS

Tial ceiling light fixture from Beta-Calco. betacalco.com visited Apr. 13, 2020. (Year: 2020).*
(Continued)

Primary Examiner — Clare E Heflin

(74) *Attorney, Agent, or Firm* — Renner, Otto, Boisselle & Sklar, LLP

(57) **CLAIM**

The ornamental design for a luminaire, as shown and described.

DESCRIPTION

FIG. 1 is a bottom perspective view of a luminaire showing a first variant of the design;
FIG. 2 is a front view thereof;
FIG. 3 is a side view thereof;
FIG. 4 is a top view thereof;
FIG. 5 is a bottom view thereof;
FIG. 6 is a bottom perspective view of a luminaire showing a second variant of the design;
FIG. 7 is a front view thereof;
FIG. 8 is a side view thereof;
FIG. 9 is a top view thereof;
FIG. 10 is a bottom view thereof;
FIG. 11 is a bottom perspective view of a luminaire showing a third variant of the design;
FIG. 12 is a front view thereof;
FIG. 13 is a side view thereof;
FIG. 14 is a top view thereof;
FIG. 15 is a bottom view thereof;
FIG. 16 is a bottom perspective view of a luminaire showing a fourth variant of the design;
FIG. 17 is a front view thereof;
FIG. 18 is a side view thereof;
FIG. 19 is a top view thereof;
FIG. 20 is a bottom view thereof;
FIG. 21 is a bottom perspective view of a luminaire showing a fifth variant of the design;
FIG. 22 is a front view thereof;
FIG. 23 is a side view thereof;
FIG. 24 is a top view thereof;
FIG. 25 is a bottom view thereof;
FIG. 26 is a bottom perspective view of a luminaire showing a sixth variant of the design;
FIG. 27 is a front view thereof;
FIG. 28 is a side view thereof;
FIG. 29 is a top view thereof;

(Continued)

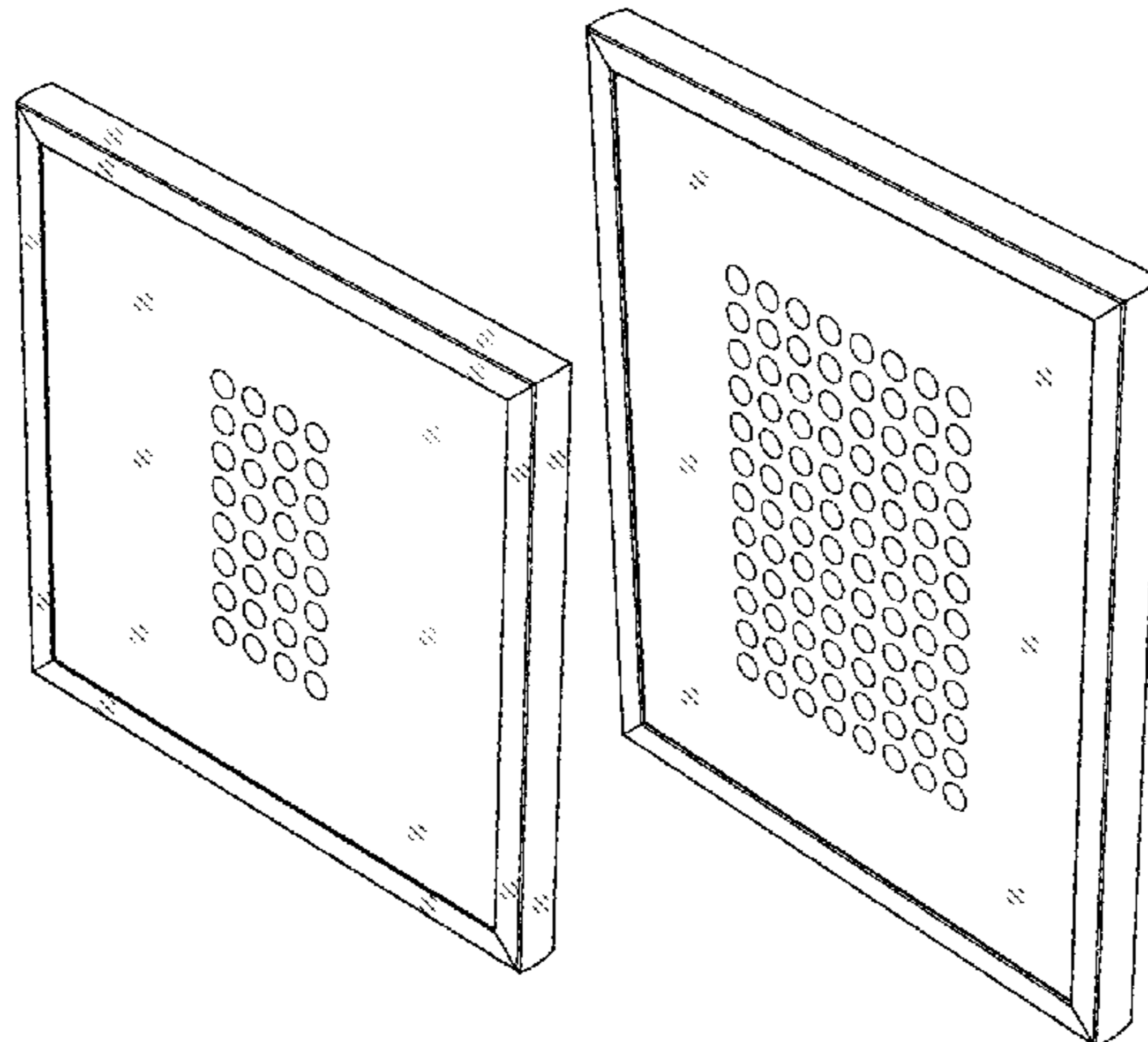


FIG. 30 is a bottom view thereof;
 FIG. 31 is a bottom perspective view of a luminaire showing a seventh variant of the design;
 FIG. 32 is a front view thereof;
 FIG. 33 is a side view thereof;
 FIG. 34 is a top view thereof;
 FIG. 35 is a bottom view thereof;
 FIG. 36 is a bottom perspective view of a luminaire showing an eighth variant of the design;
 FIG. 37 is a front view thereof;
 FIG. 38 is a side view thereof;
 FIG. 39 is a top view thereof; and,
 FIG. 40 is a bottom view thereof.
 The portions of the luminaire shown in broken lines form no part of the design. The thin diagonal lines indicate translucency.

1 Claim, 8 Drawing Sheets

(58) **Field of Classification Search**

CPC F21S 8/03; F21S 8/04; F21S 8/043; F21S 8/046; F21V 21/02; F21V 21/03; F21V 21/047; F21V 21/049

See application file for complete search history.

(56)

References Cited

U.S. PATENT DOCUMENTS

D595,402	S	*	6/2009	Miyake	D23/385
D633,243	S	*	2/2011	Call	D26/72
D637,752	S	*	5/2011	Mekhtarian	D26/72
D648,060	S	*	11/2011	Yamamoto	D26/120
D718,484	S	*	11/2014	Eberle	D26/89
D731,692	S	*	6/2015	Boyer	D26/74
D732,224	S	*	6/2015	Boyer	D26/74
D848,047	S	*	5/2019	Santoro	D26/74
2012/0063134	A1	*	3/2012	Hsu	F21V 15/01 362/244
2015/0167948	A1	*	6/2015	Wasserman	F21S 2/005 362/249.01
2020/0041106	A1	*	2/2020	Ninomiya	F21V 21/044

OTHER PUBLICATIONS

Flat ceiling lamp by Panzeri; found at <https://www.archiproducts.com/en/products/panzeri/led-direct-light-ceiling-light-flat-ceiling-lamp_136447> visited Apr. 13, 2020 (Year: 2020).*

Wynter Square 22 Flush Mount light fixture, found at techlighting.com © 2019 (Year: 2019).*

* cited by examiner

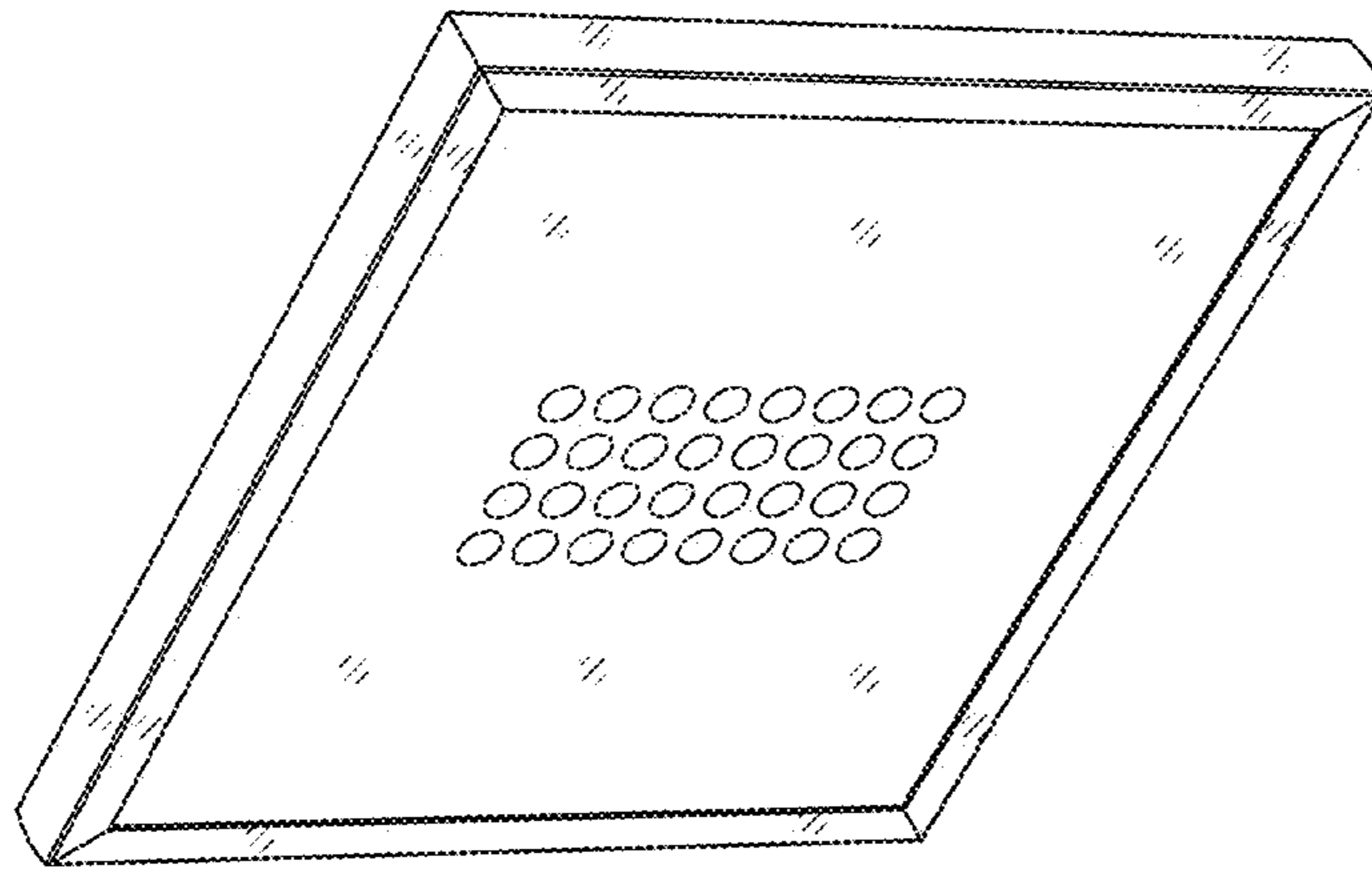


FIG. 1

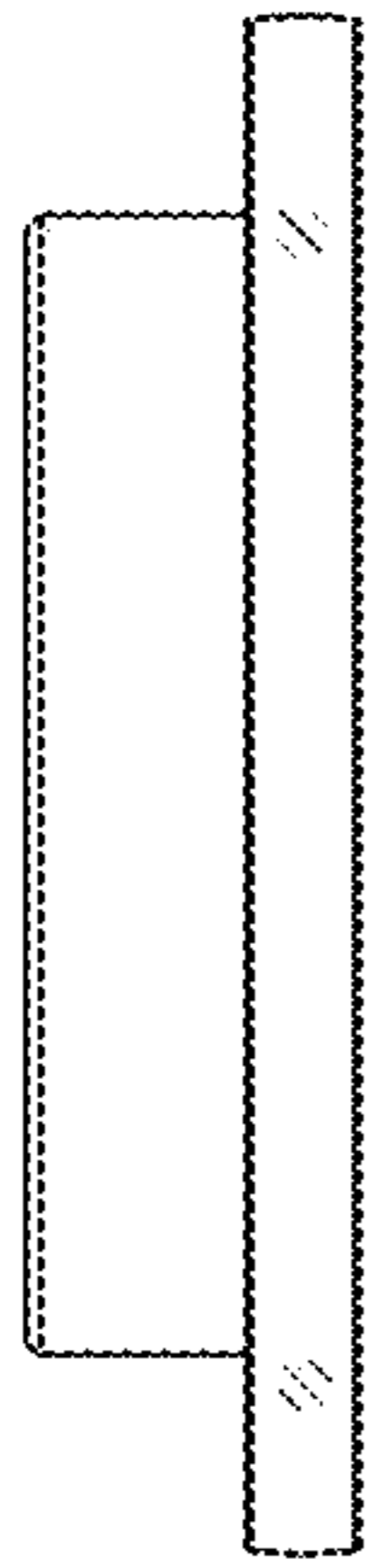


FIG. 2

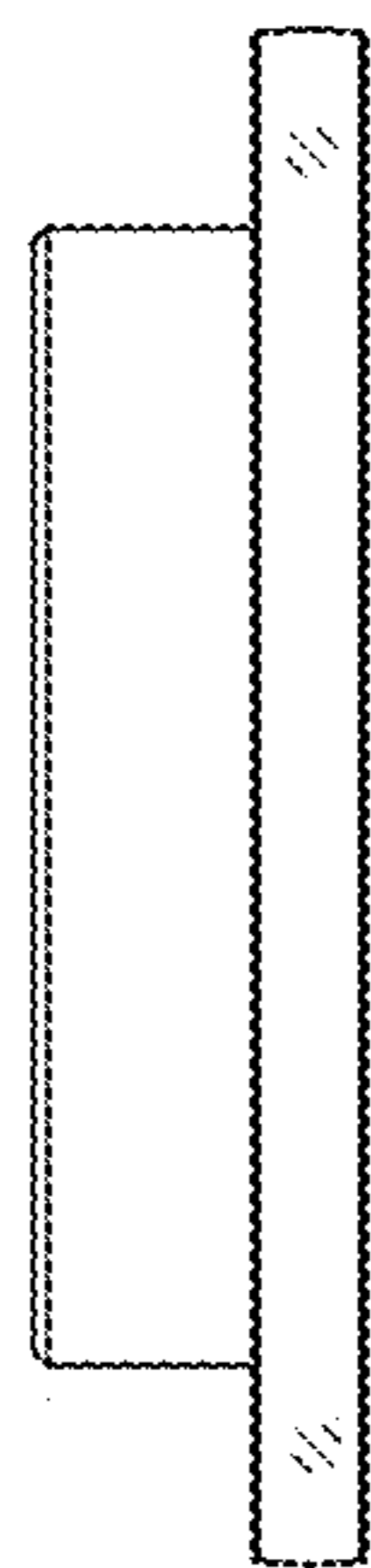


FIG. 3

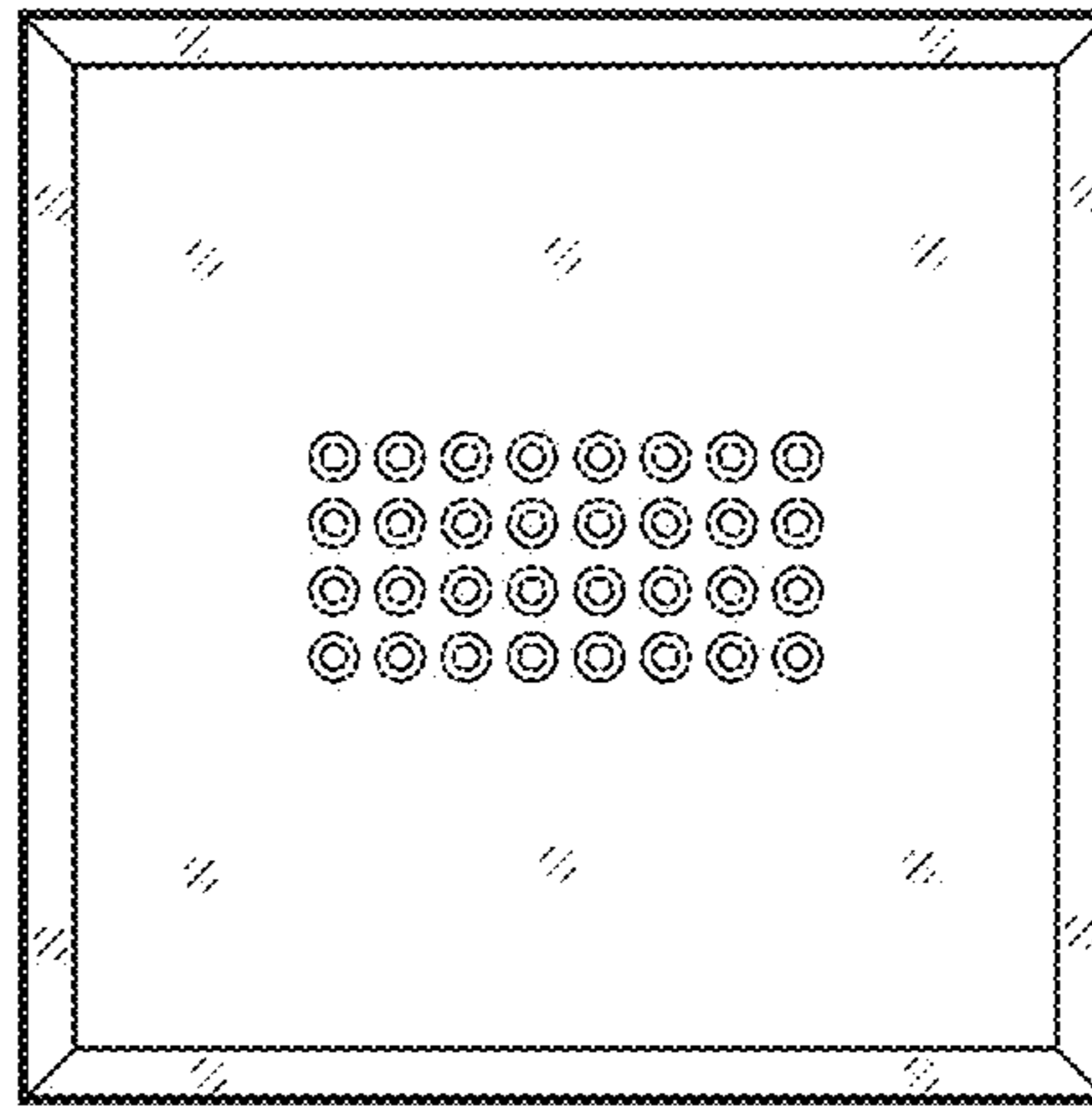


FIG. 4

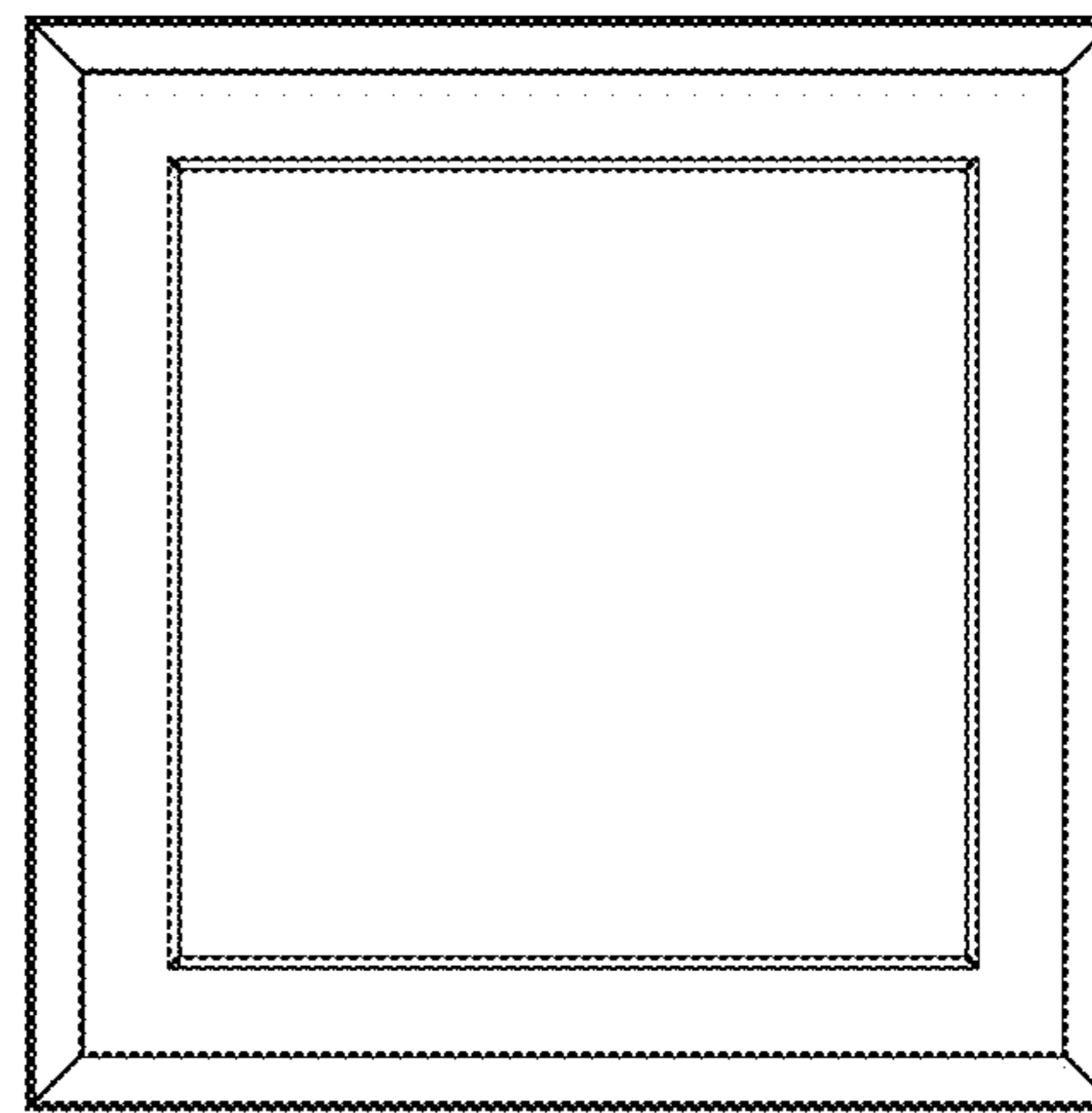


FIG. 5

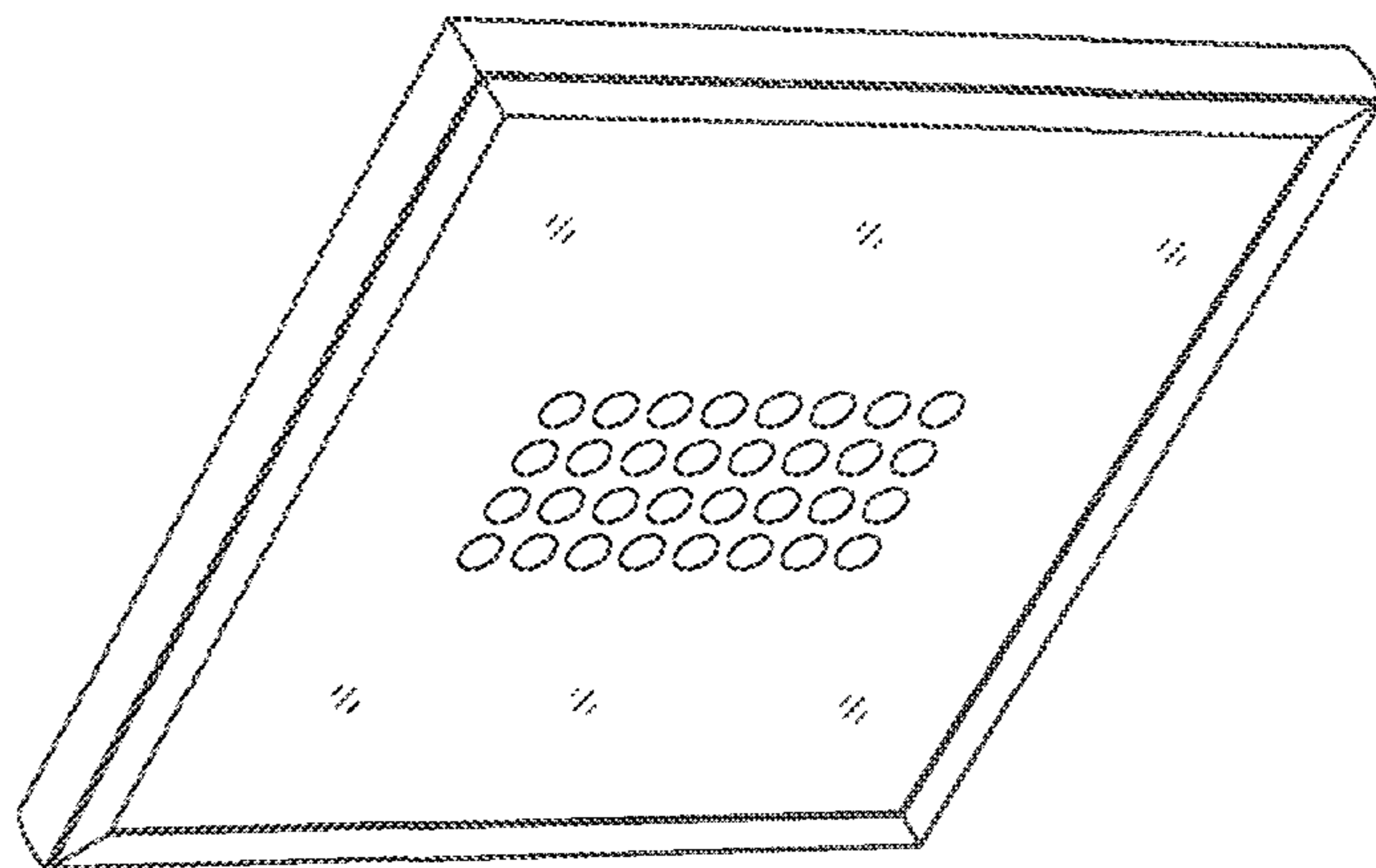


FIG. 6

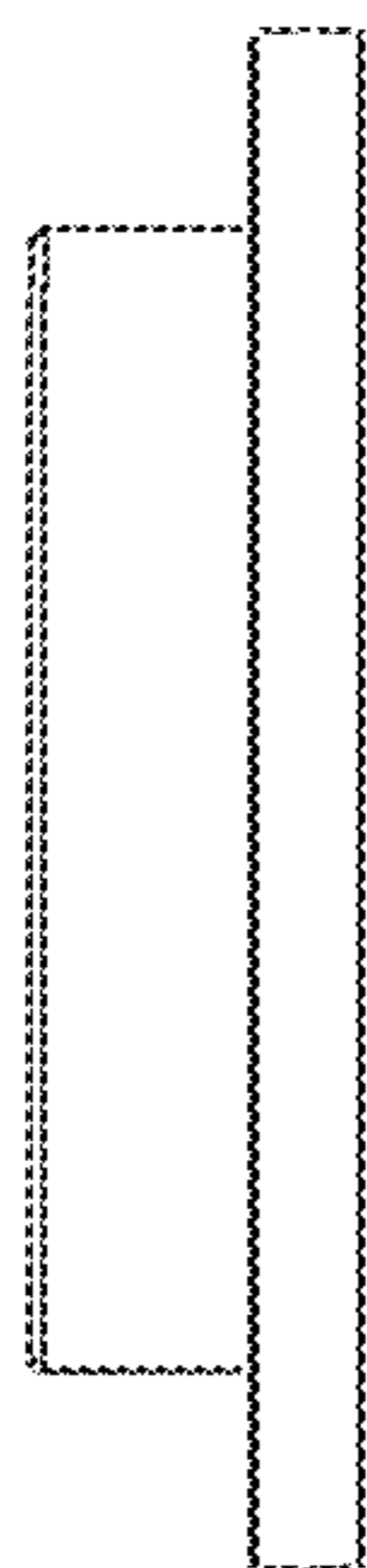


FIG. 7



FIG. 8

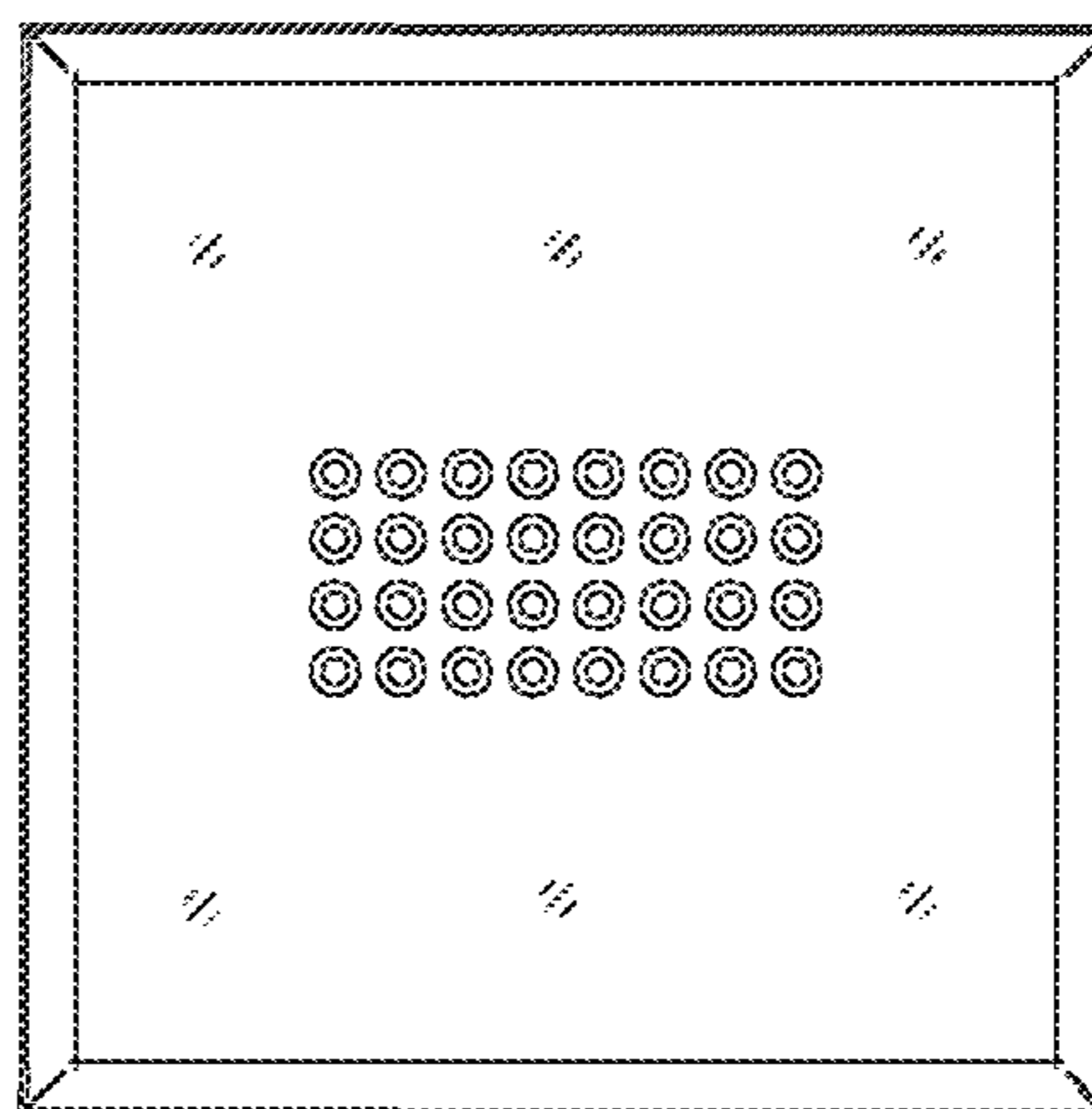


FIG. 9

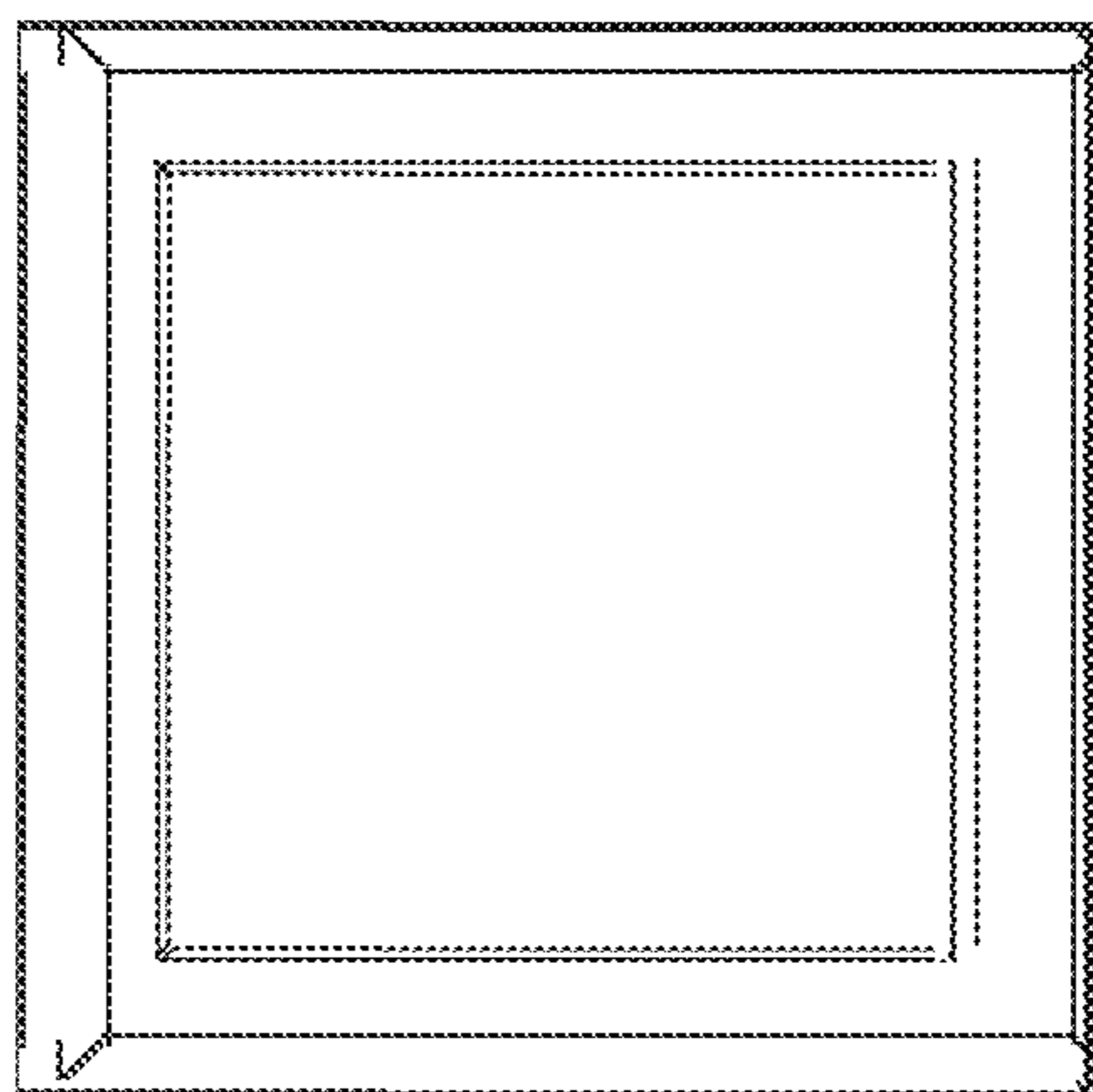


FIG. 10

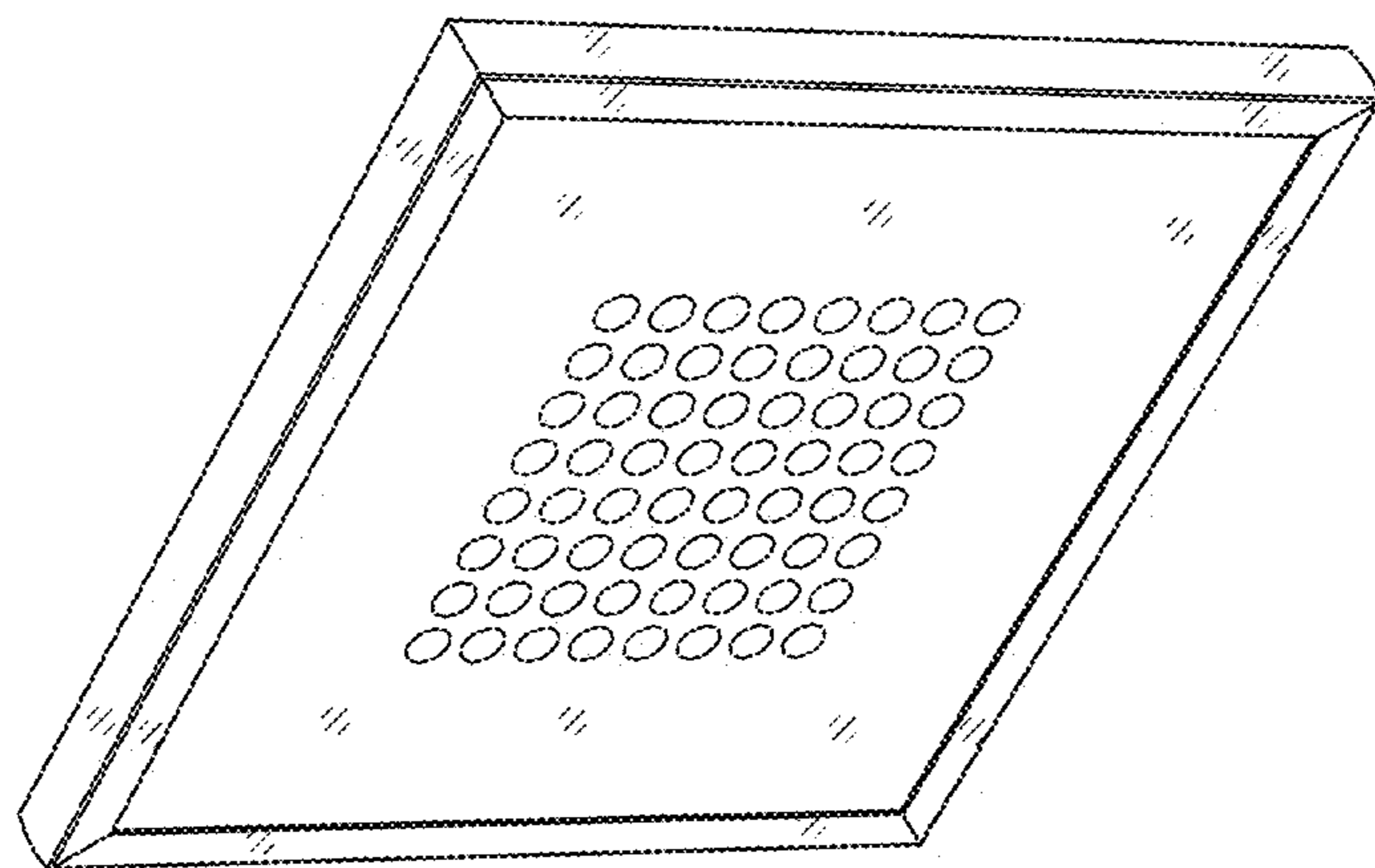


FIG. 11

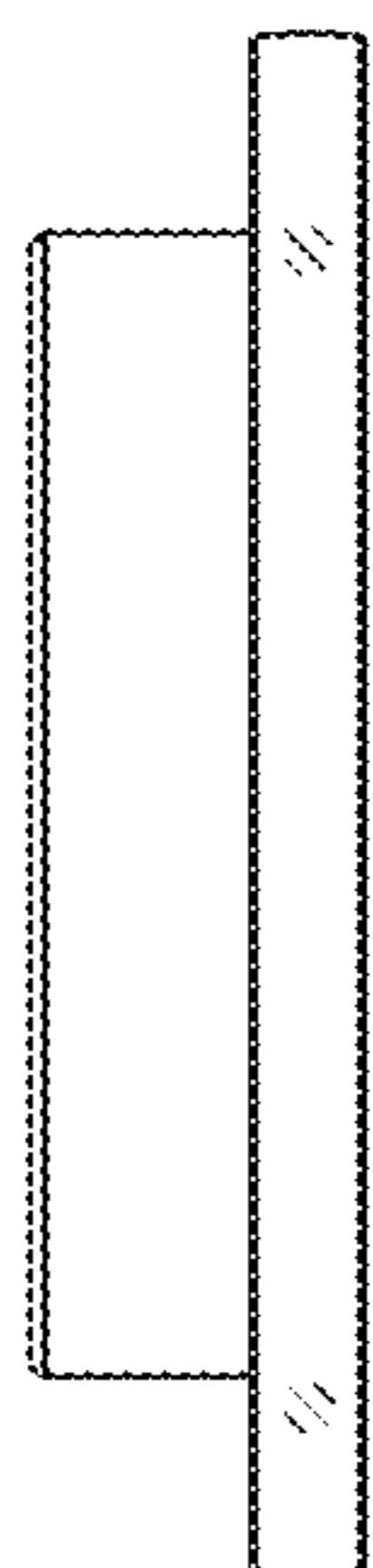


FIG. 13

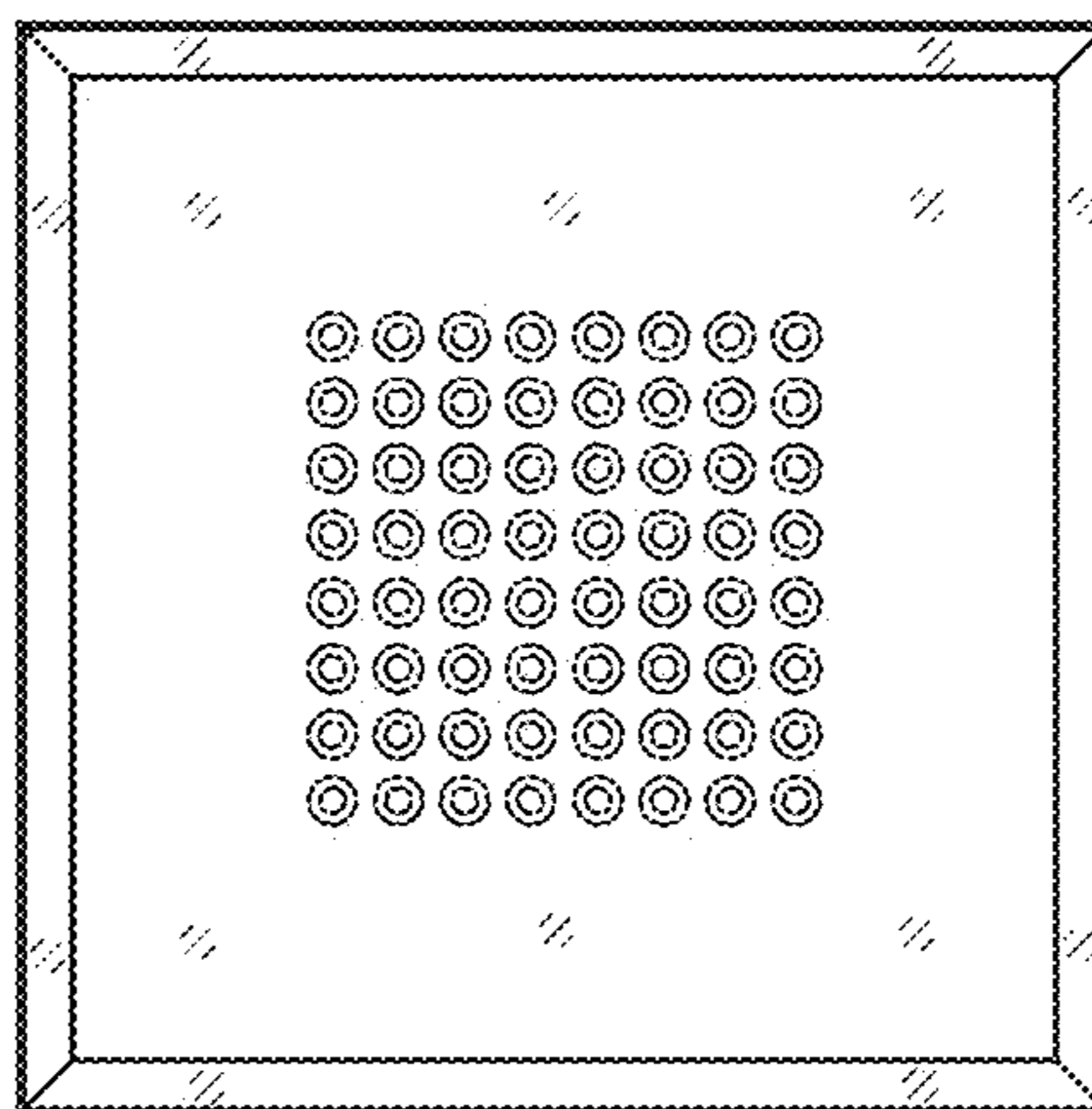


FIG. 15

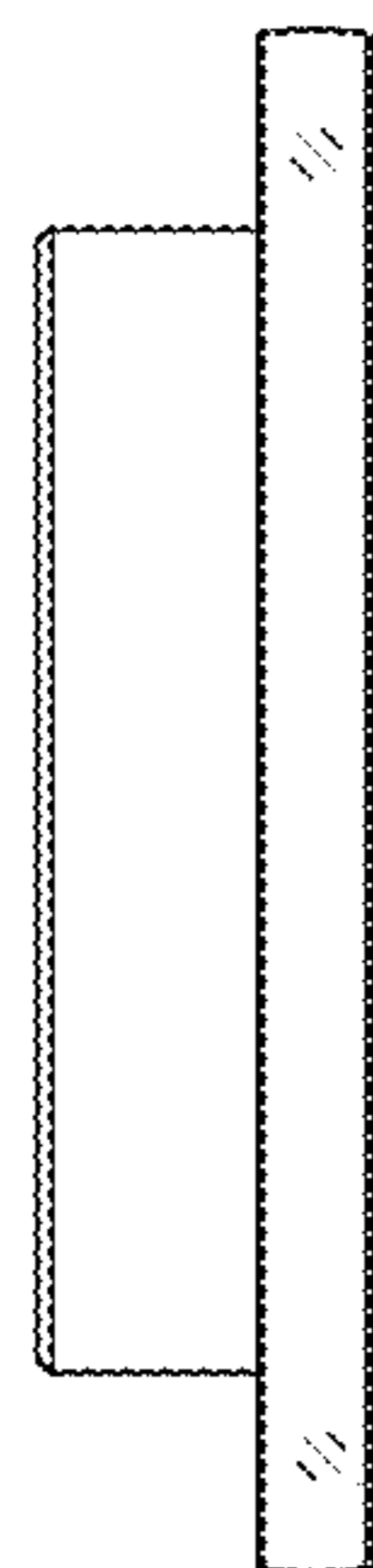


FIG. 12

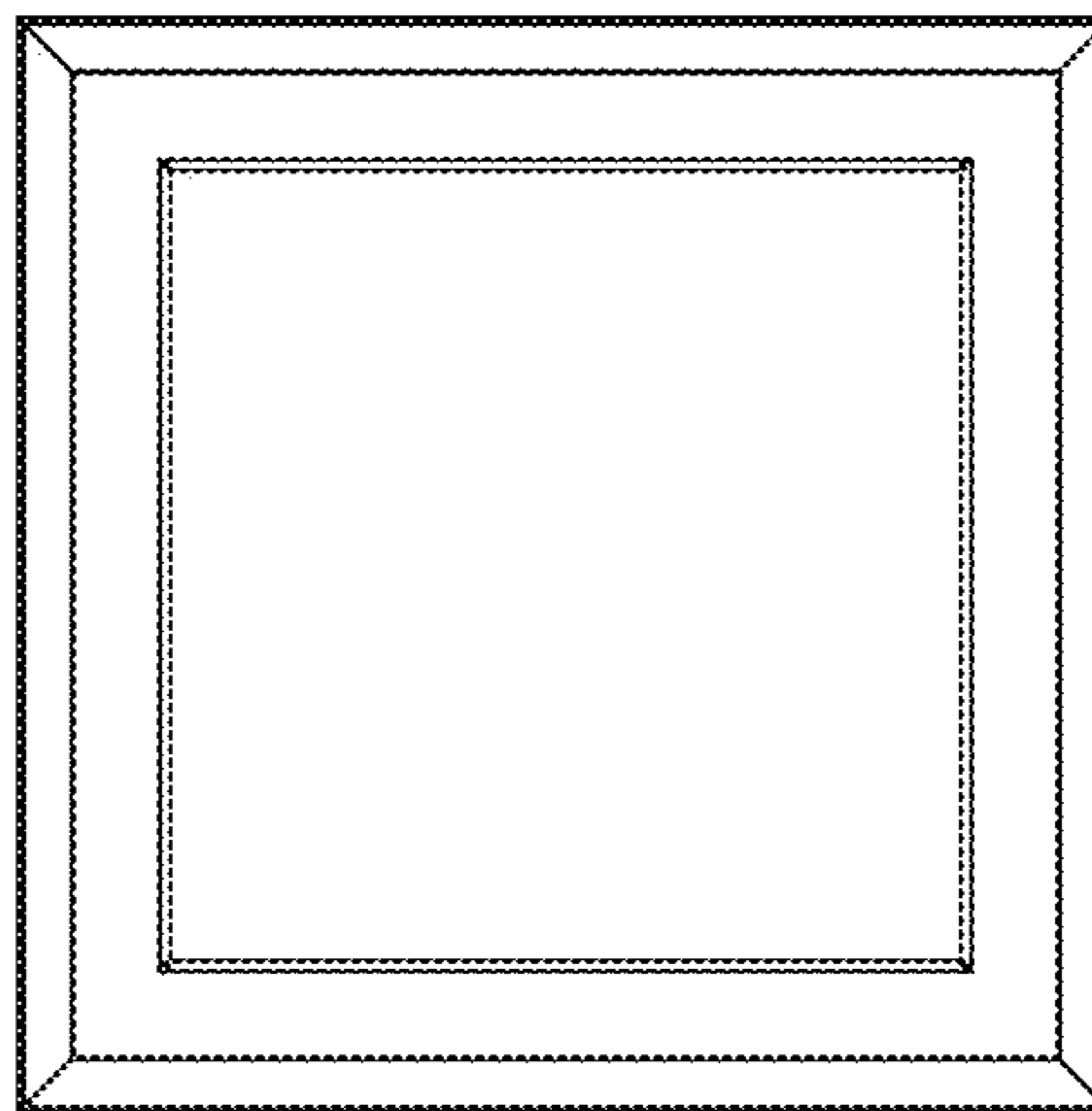


FIG. 14

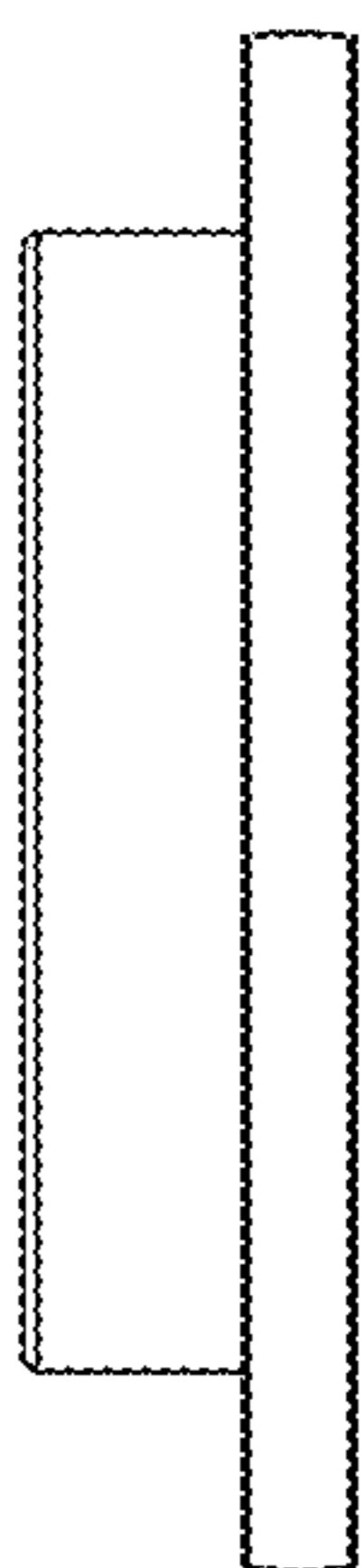


FIG. 17

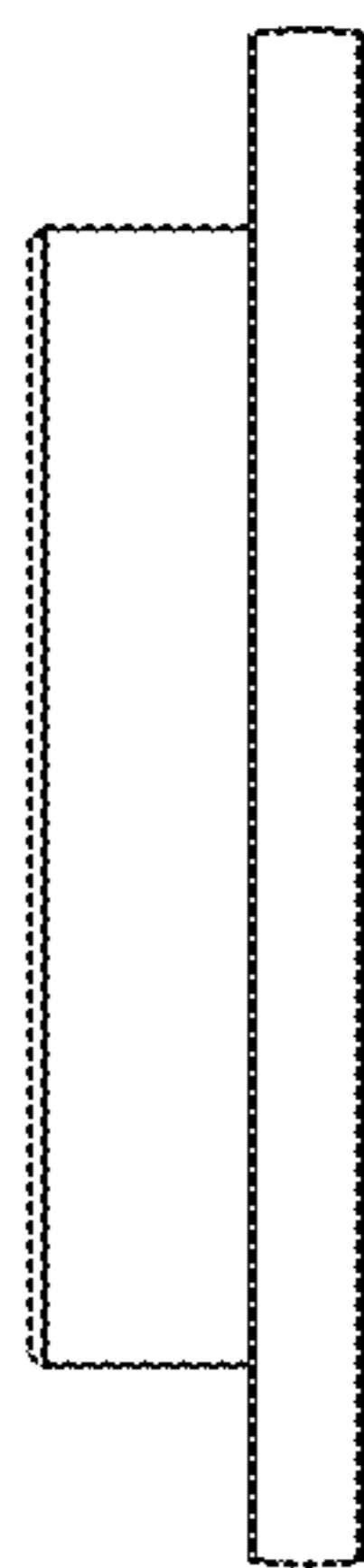


FIG. 18

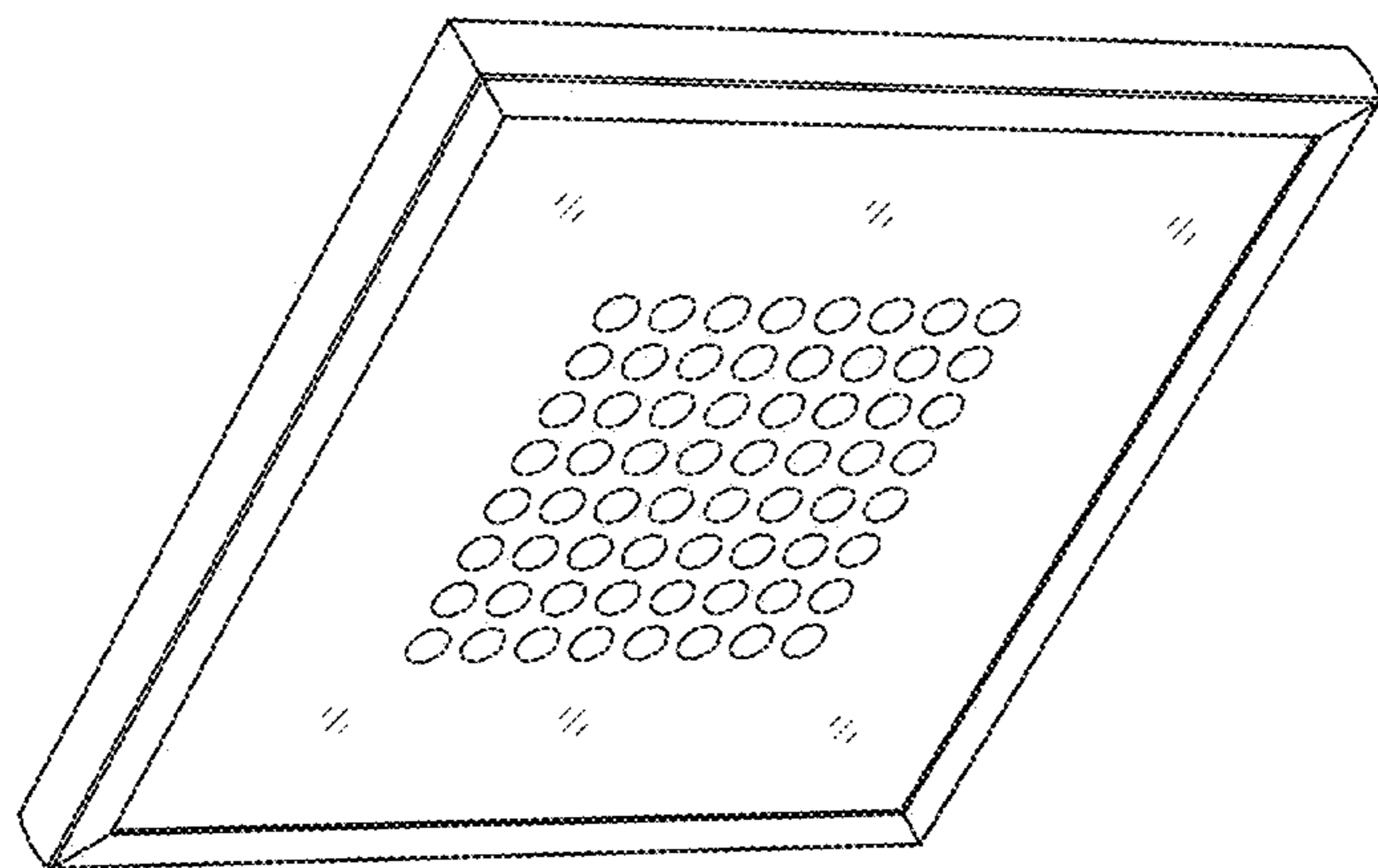


FIG. 16

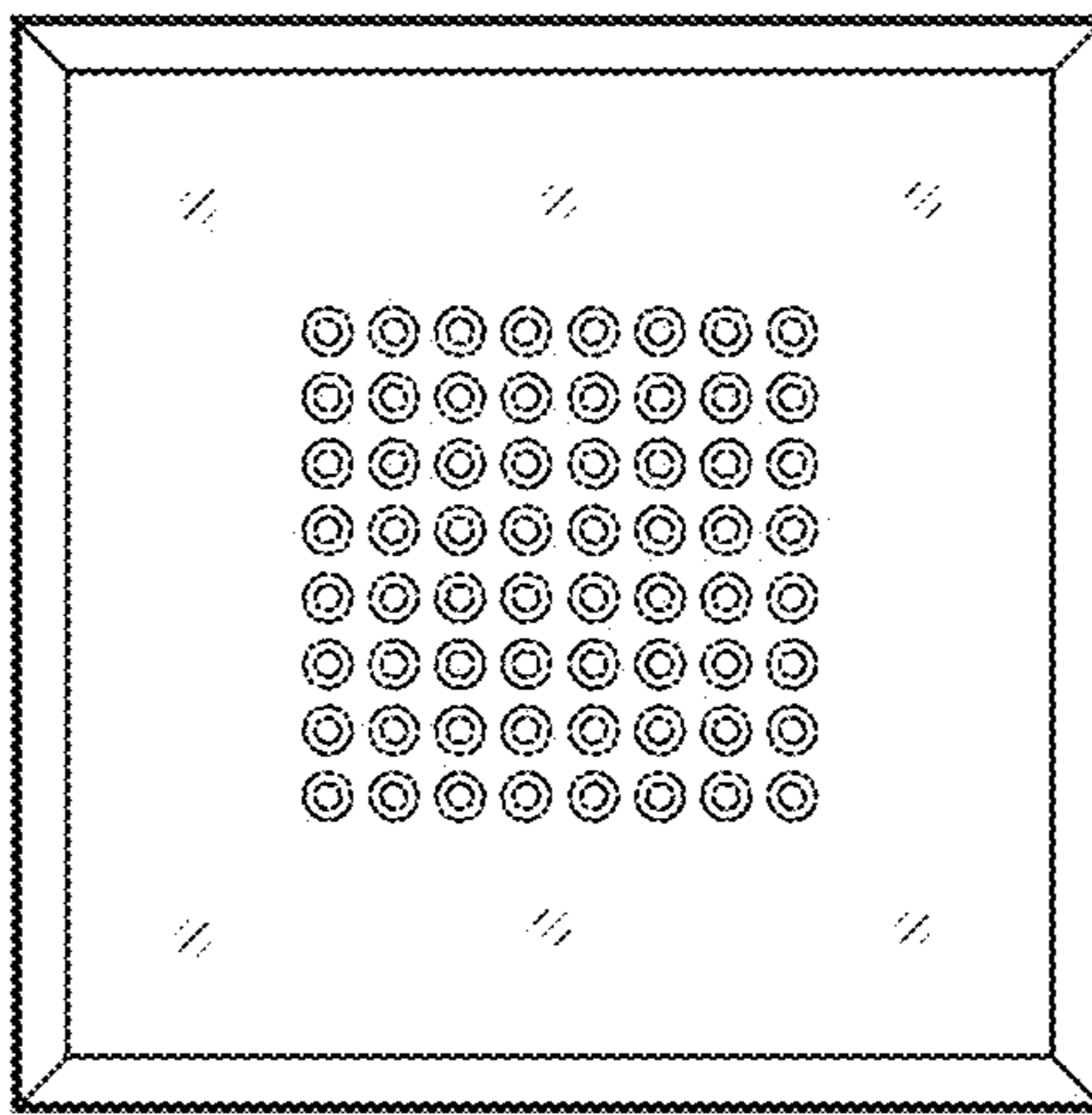


FIG. 20

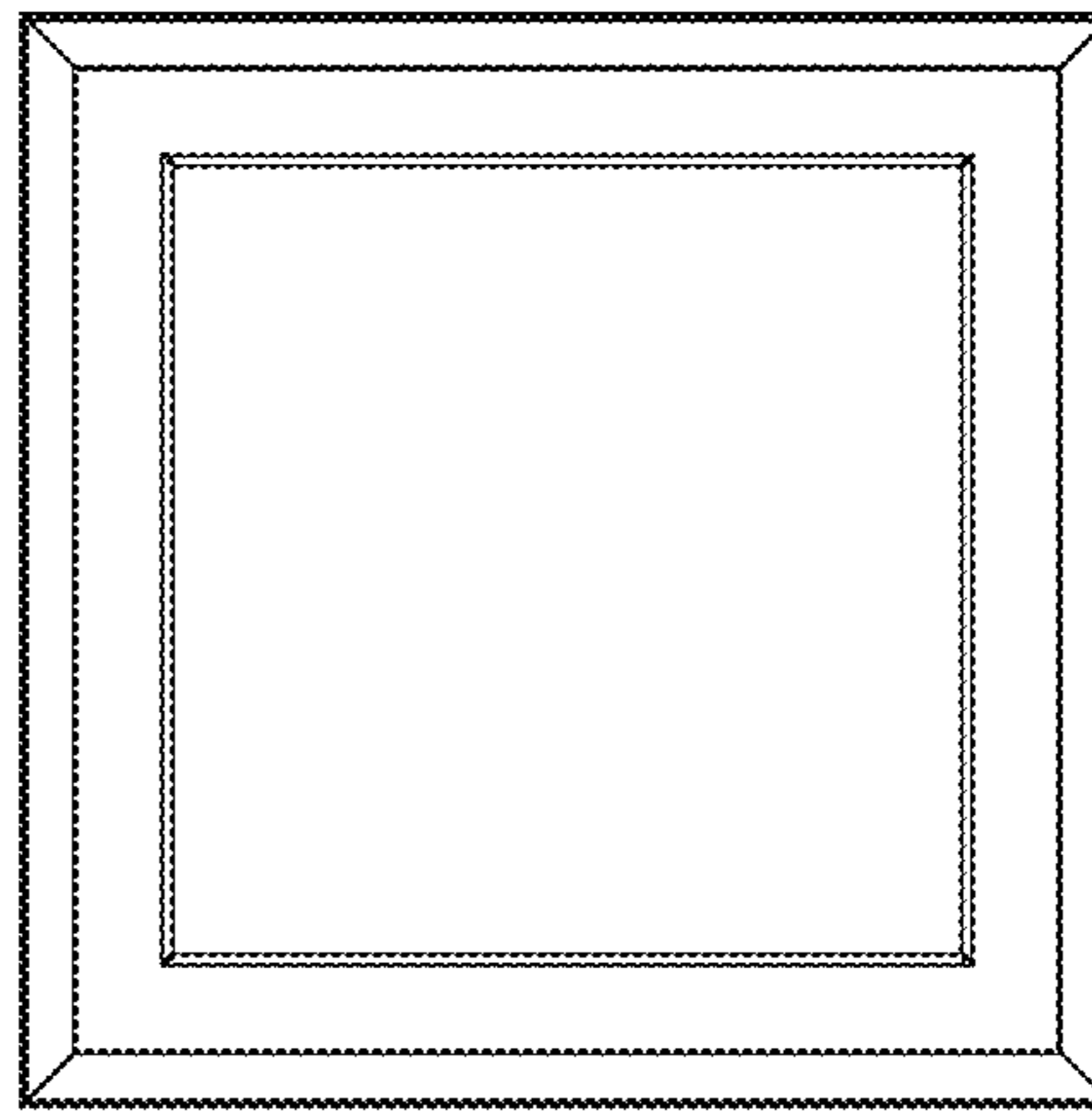


FIG. 19

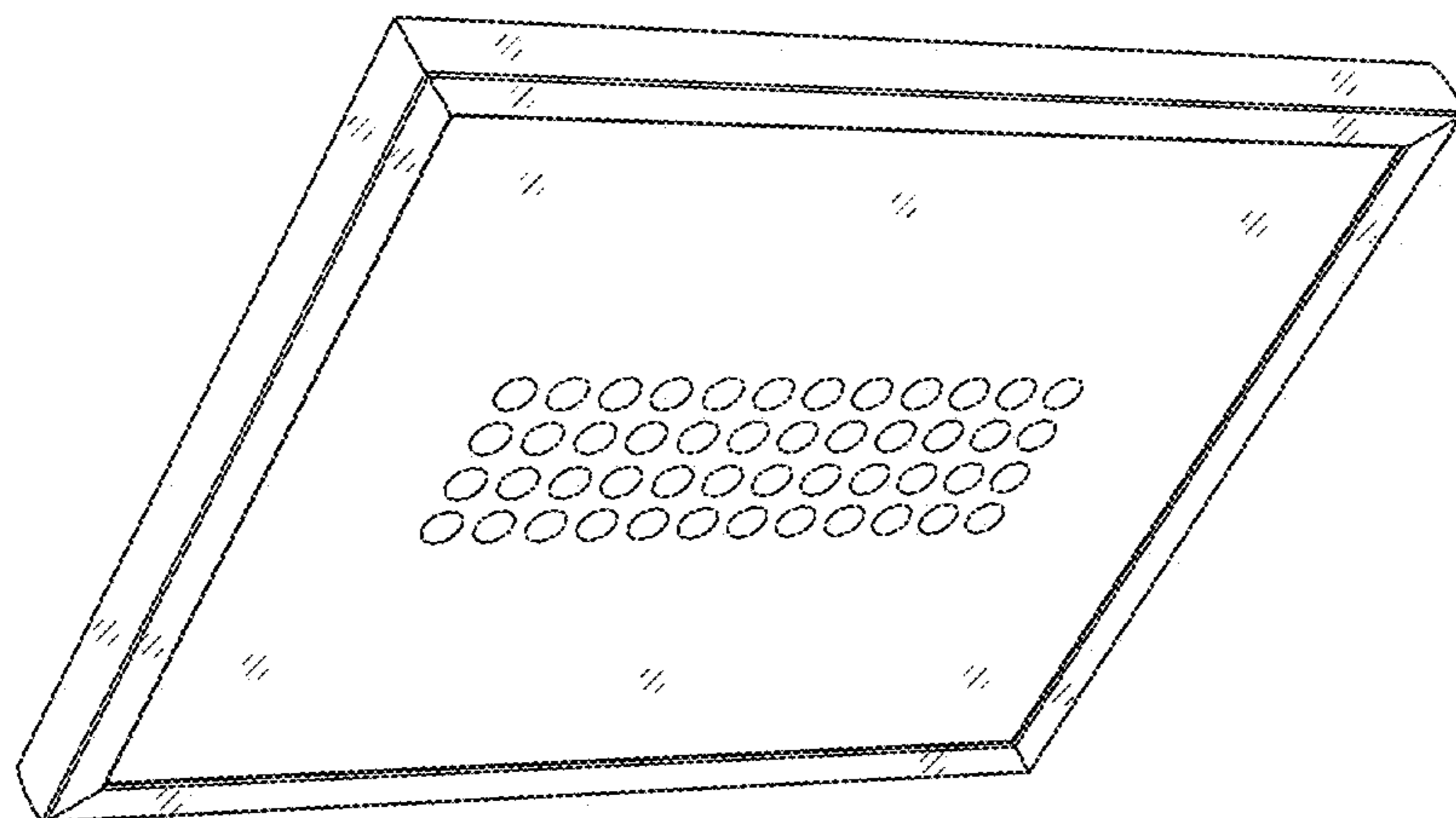


FIG. 21

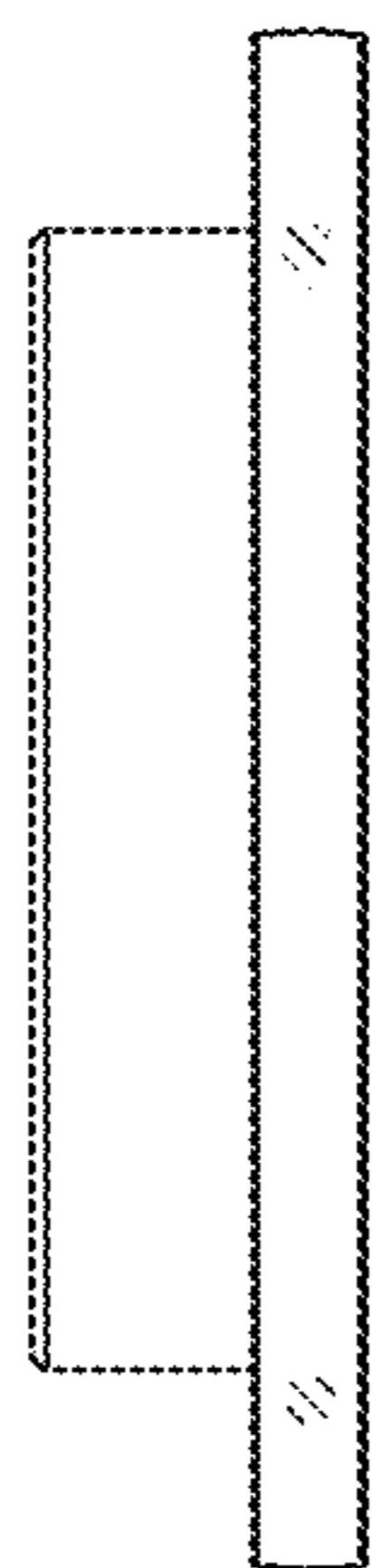


FIG. 23

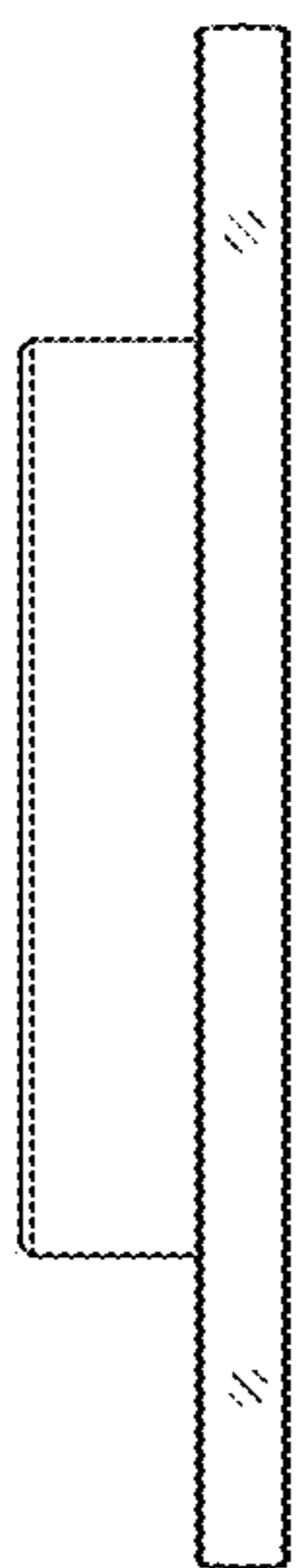


FIG. 22

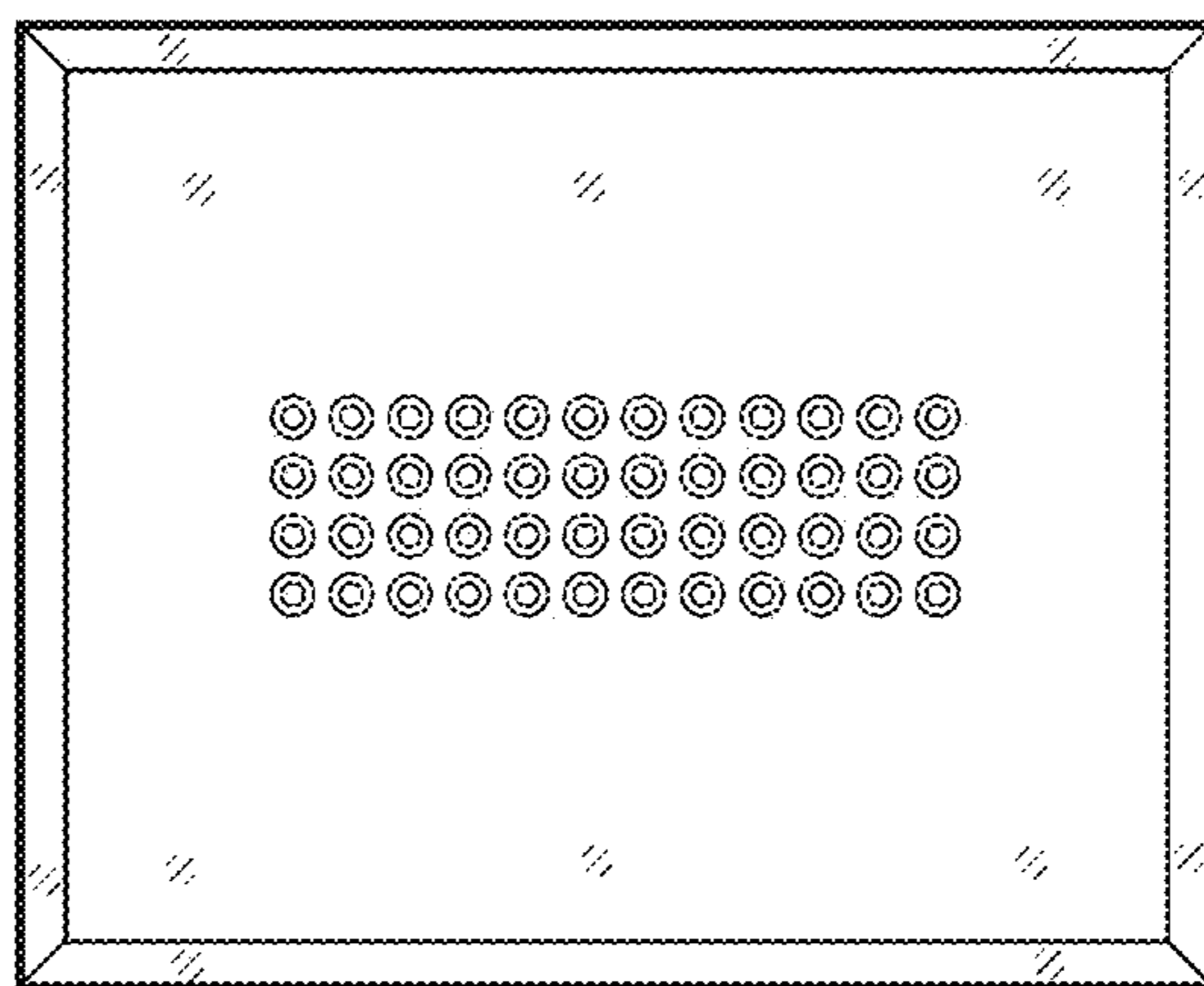


FIG. 25

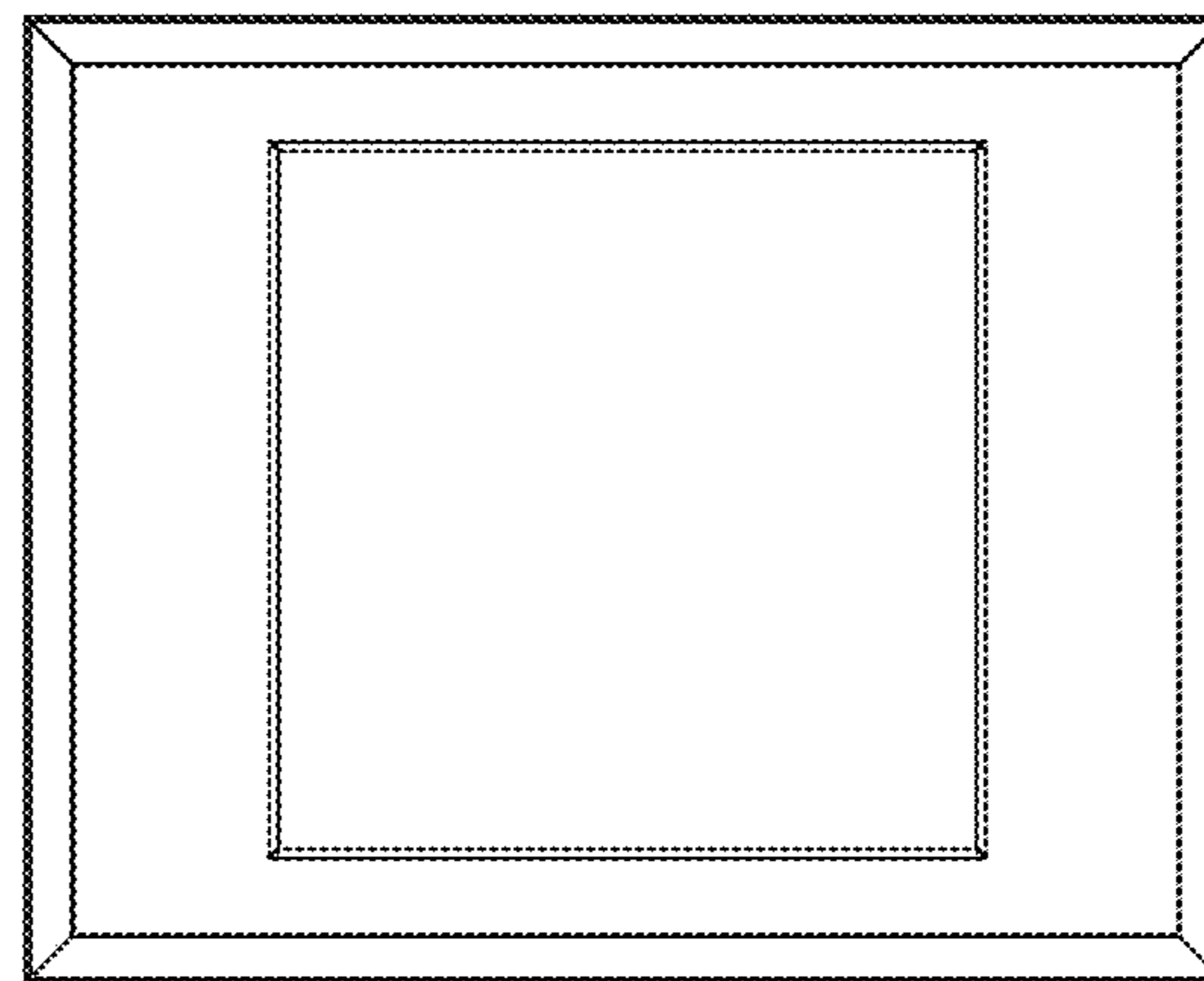


FIG. 24

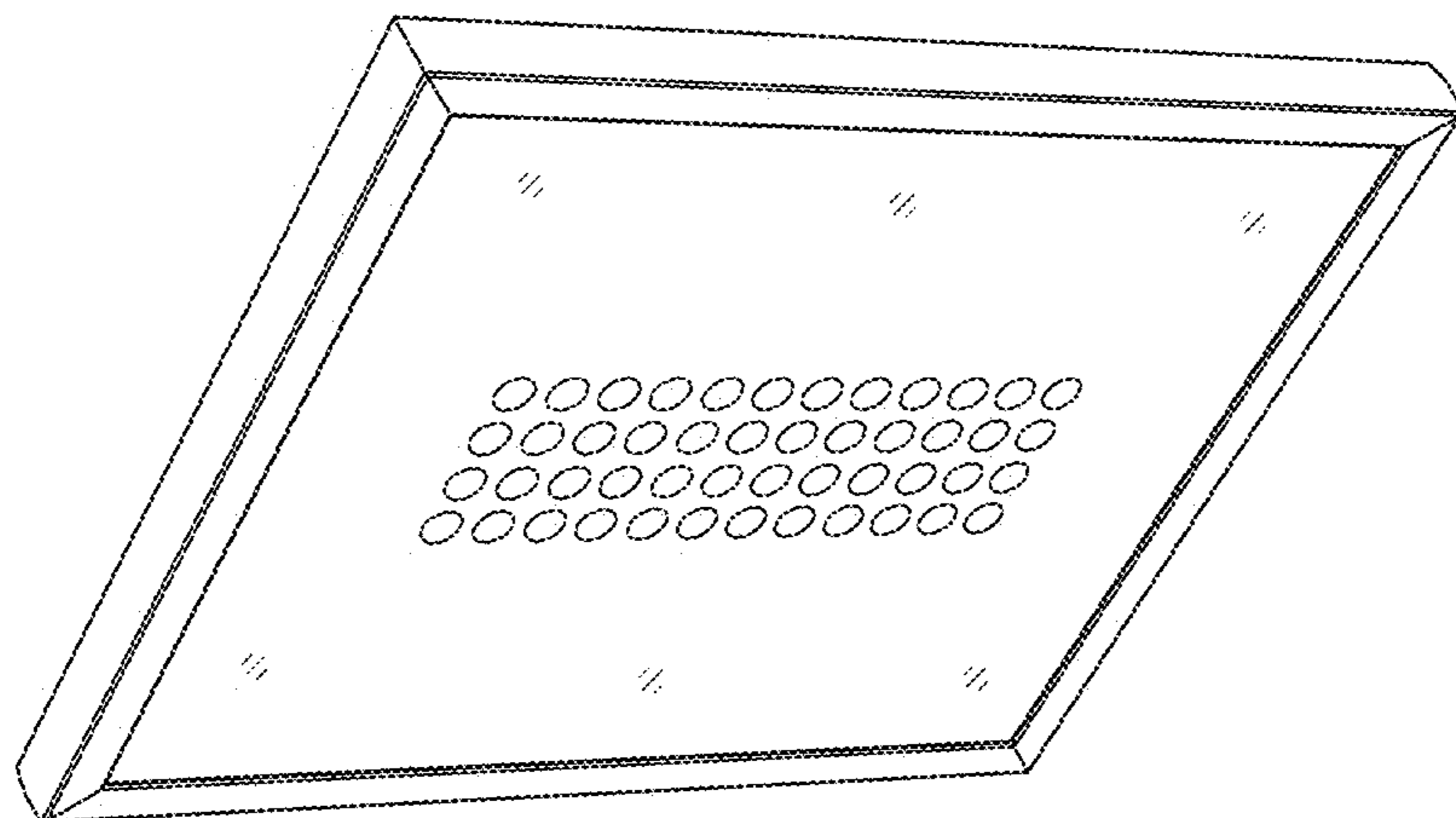


FIG. 26

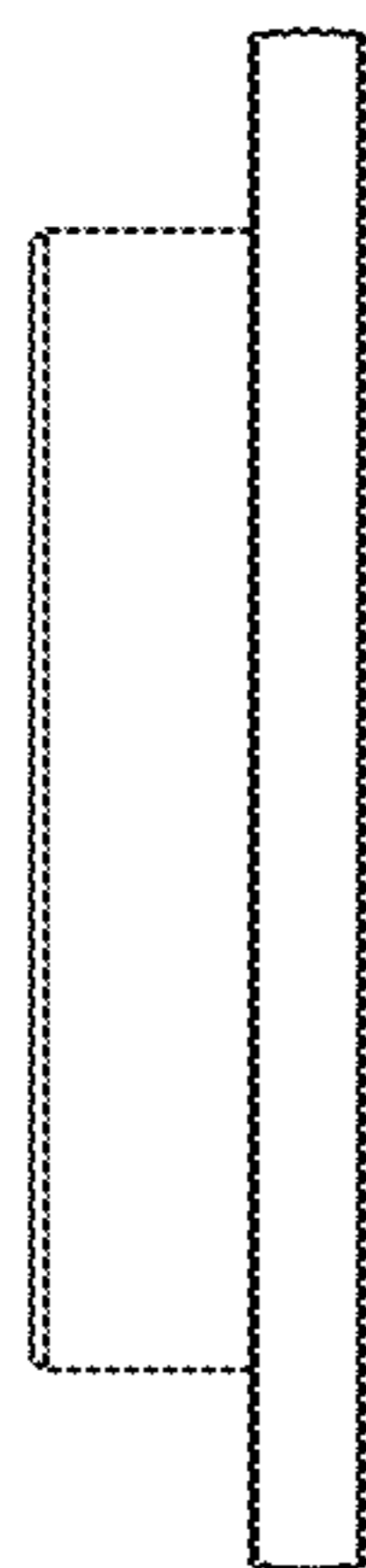


FIG. 27

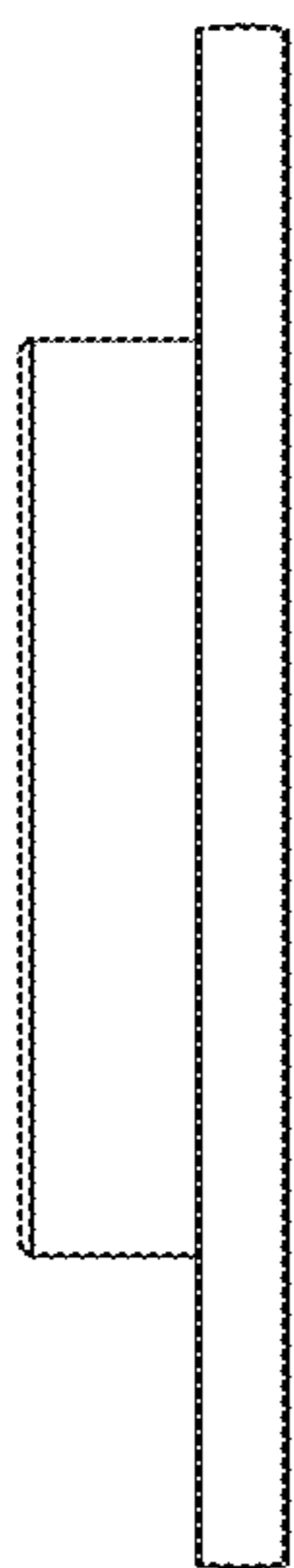


FIG. 28

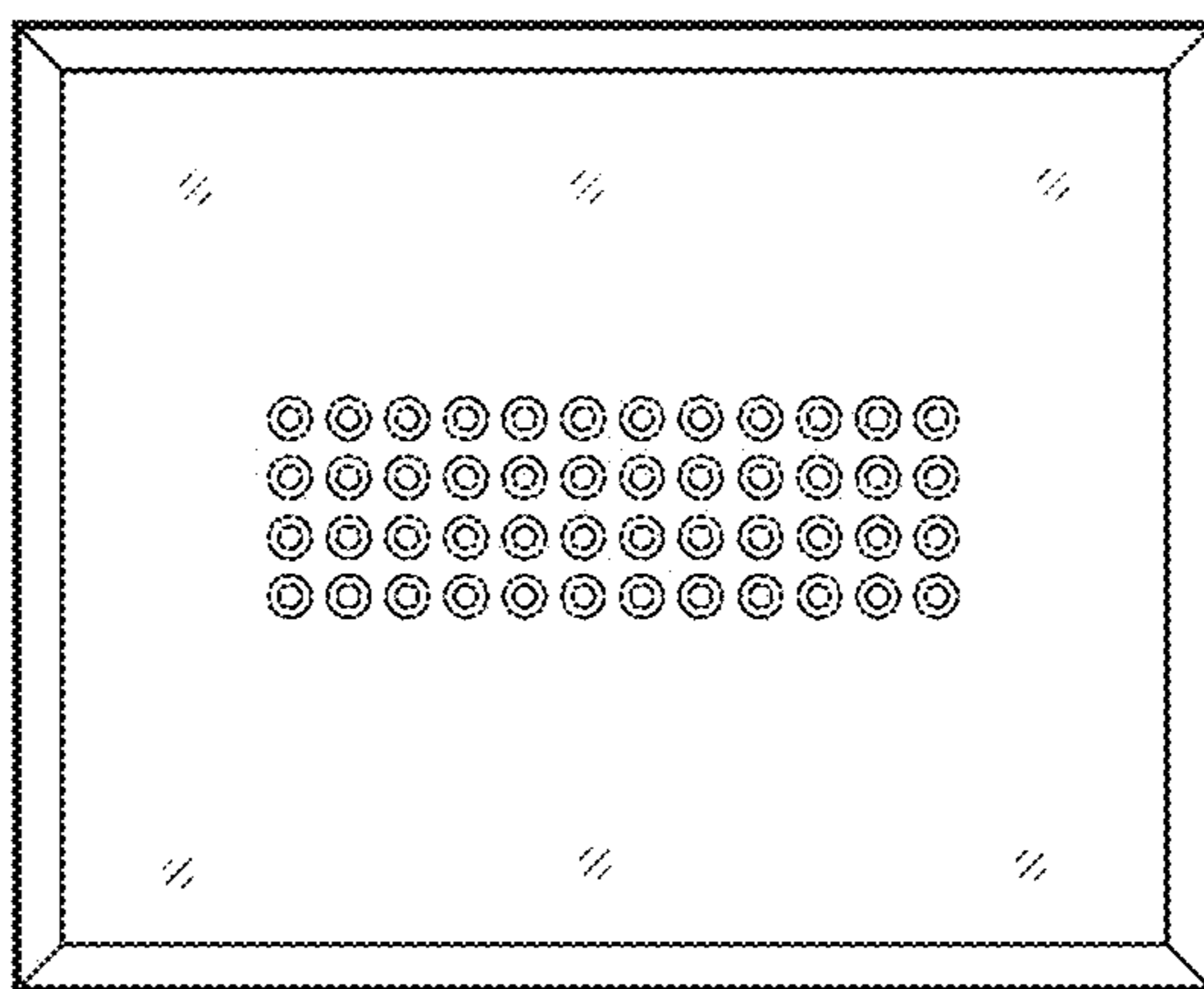


FIG. 29

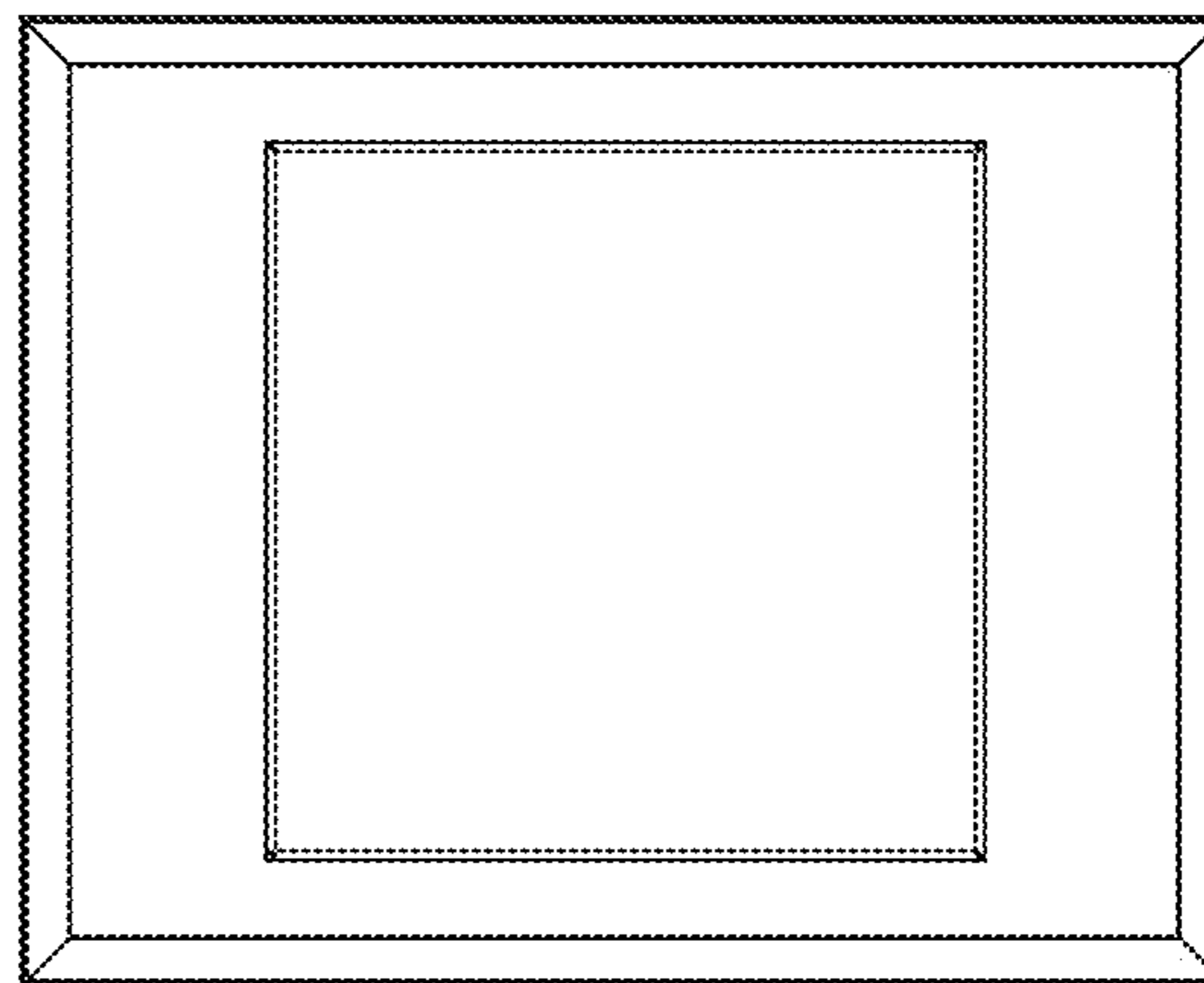


FIG. 30

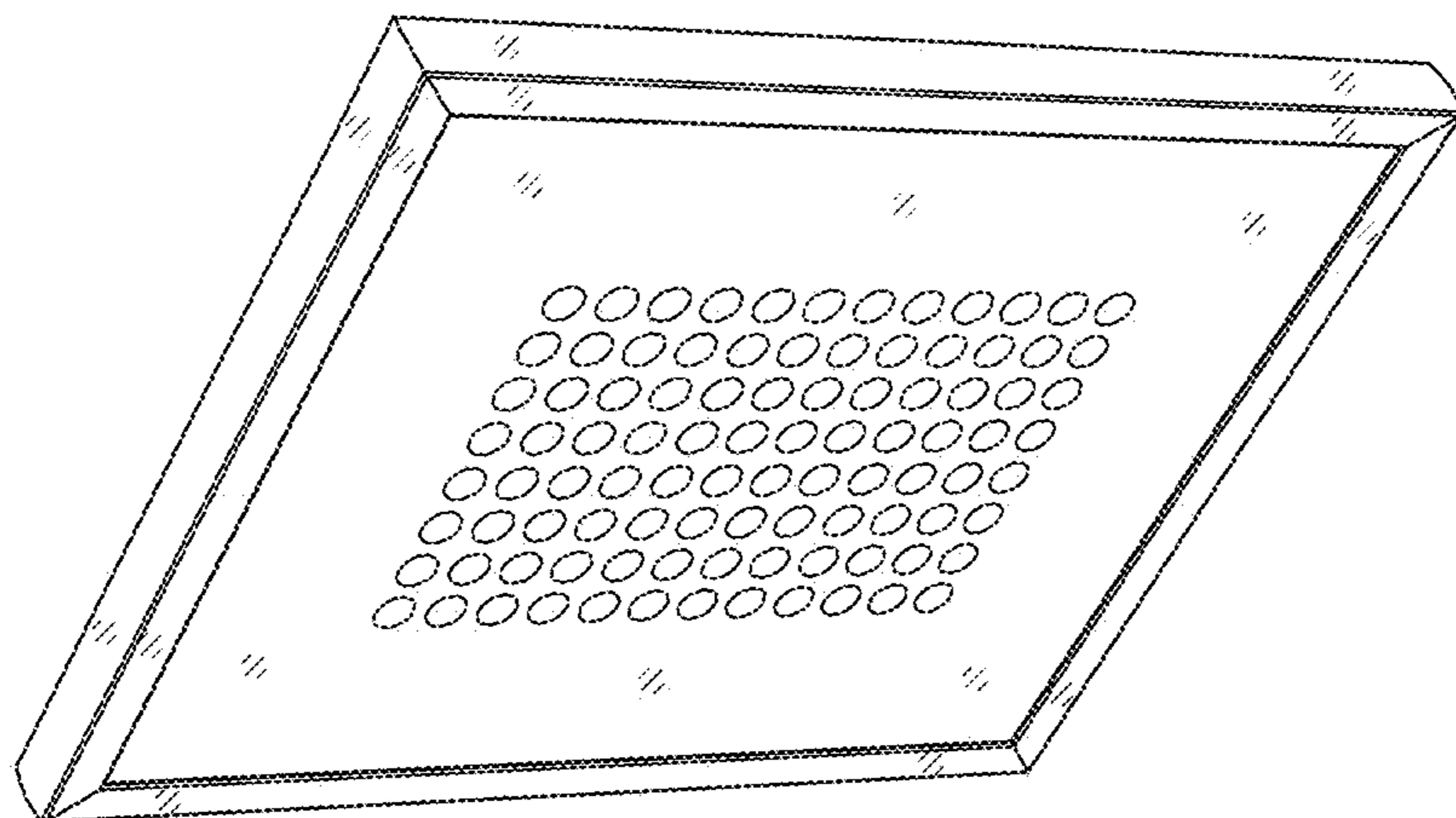


FIG. 31

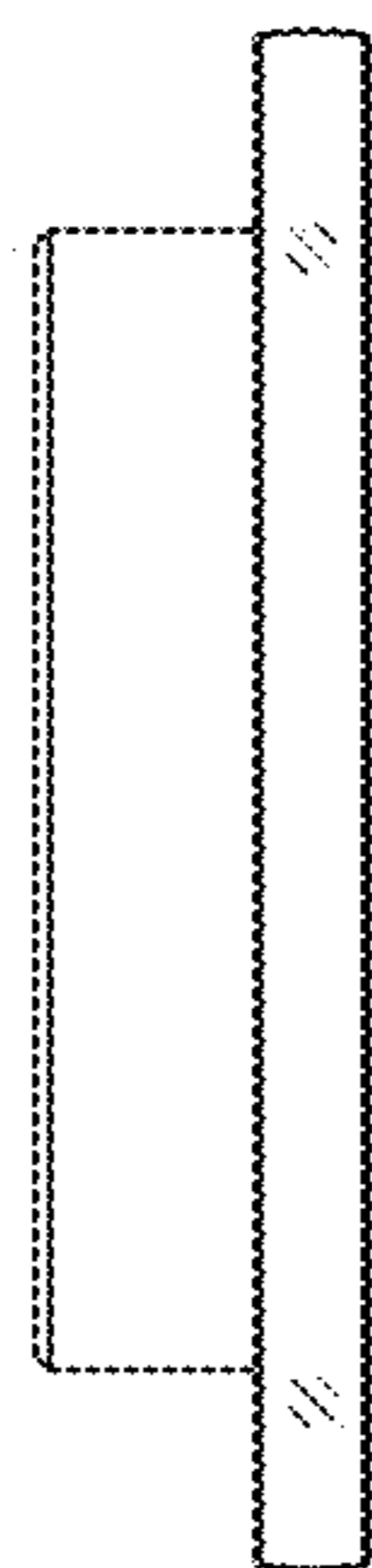


FIG. 33

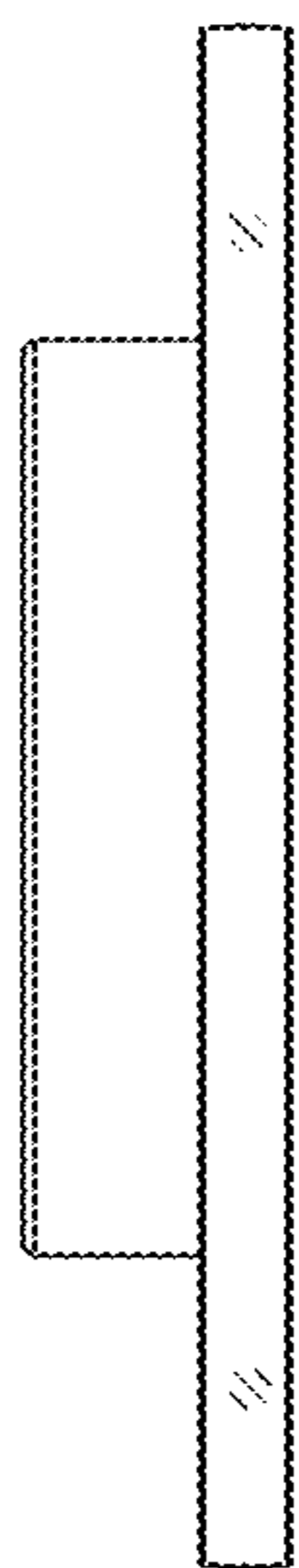


FIG. 32

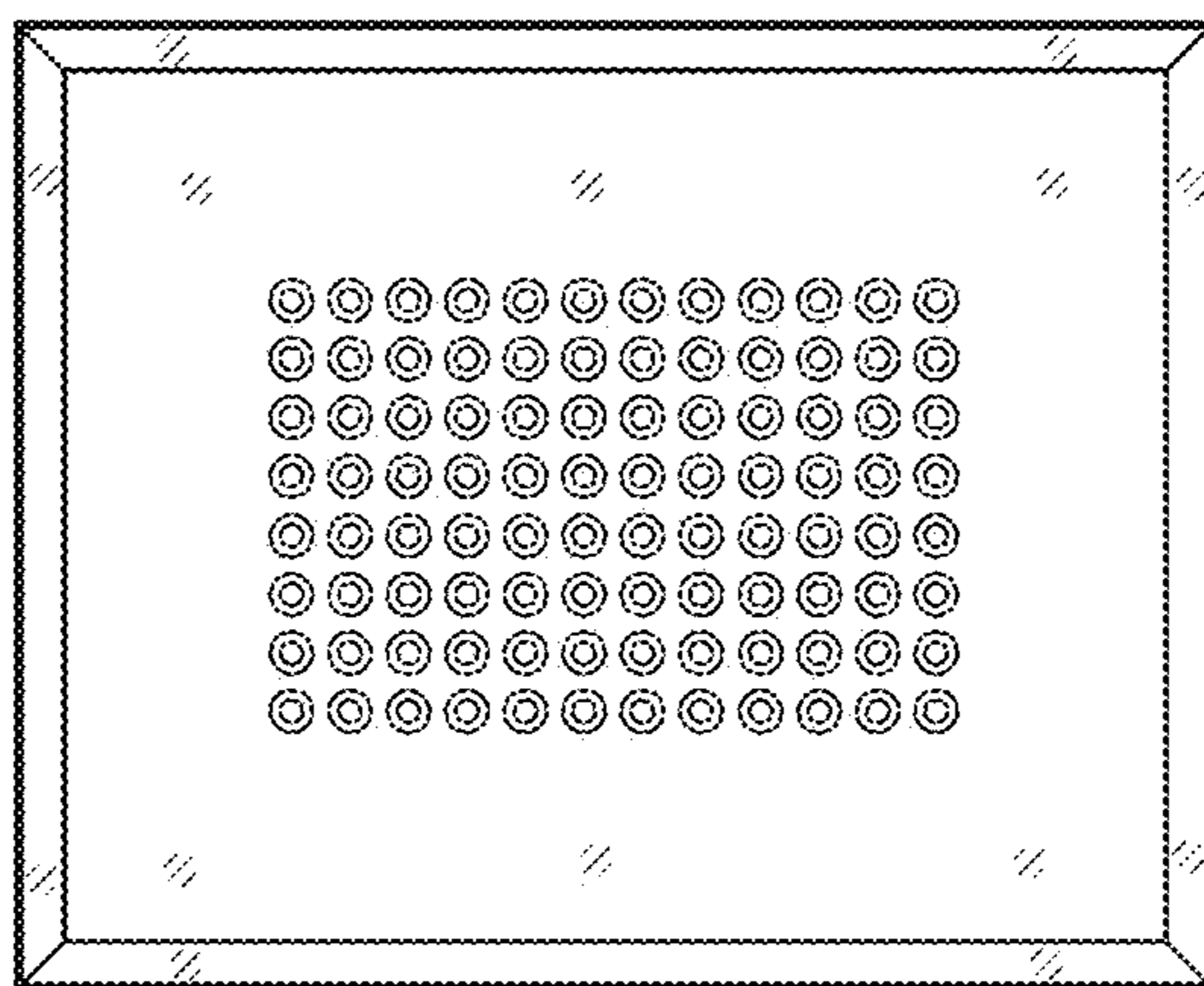


FIG. 35

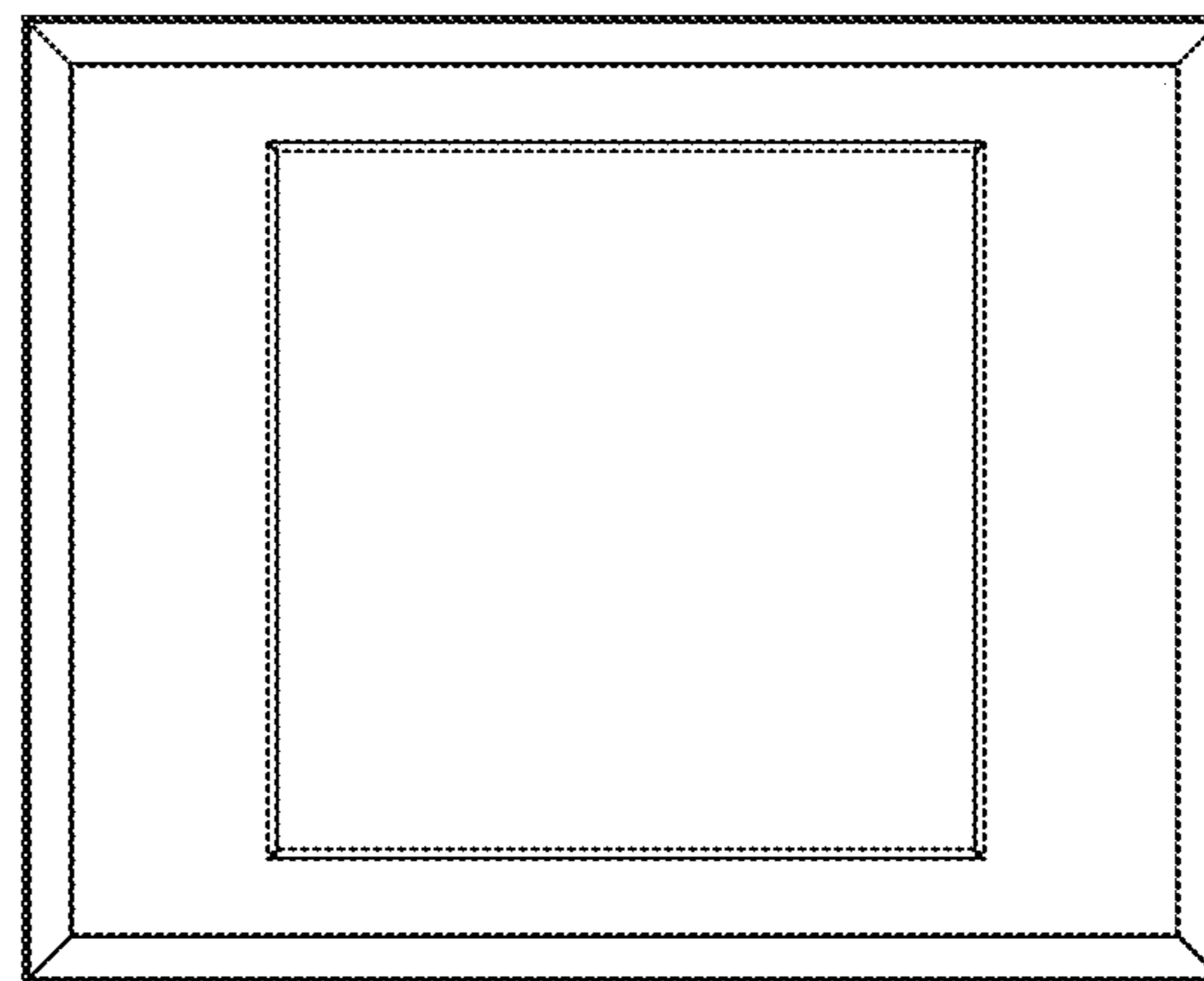


FIG. 34

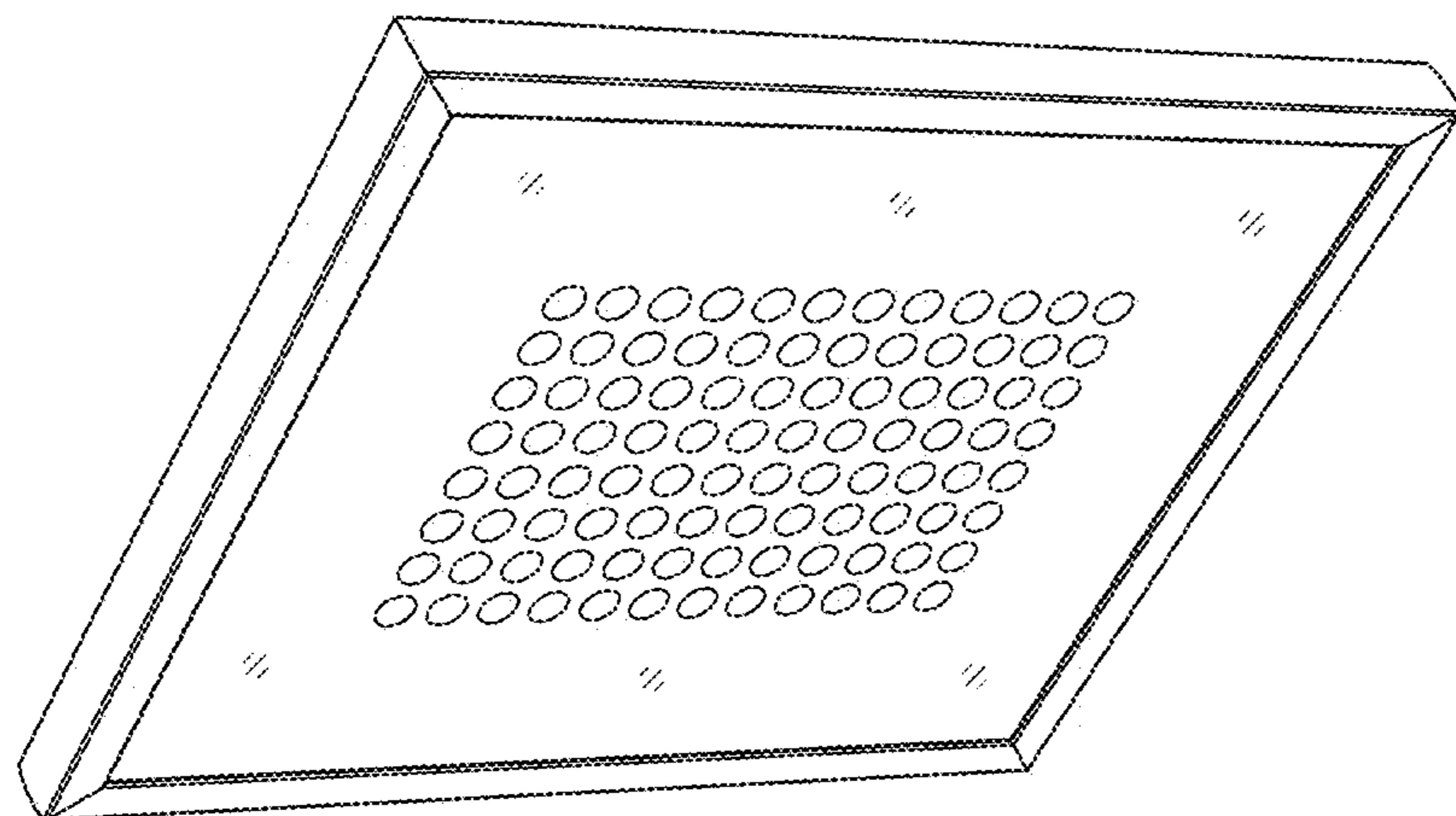


FIG. 36

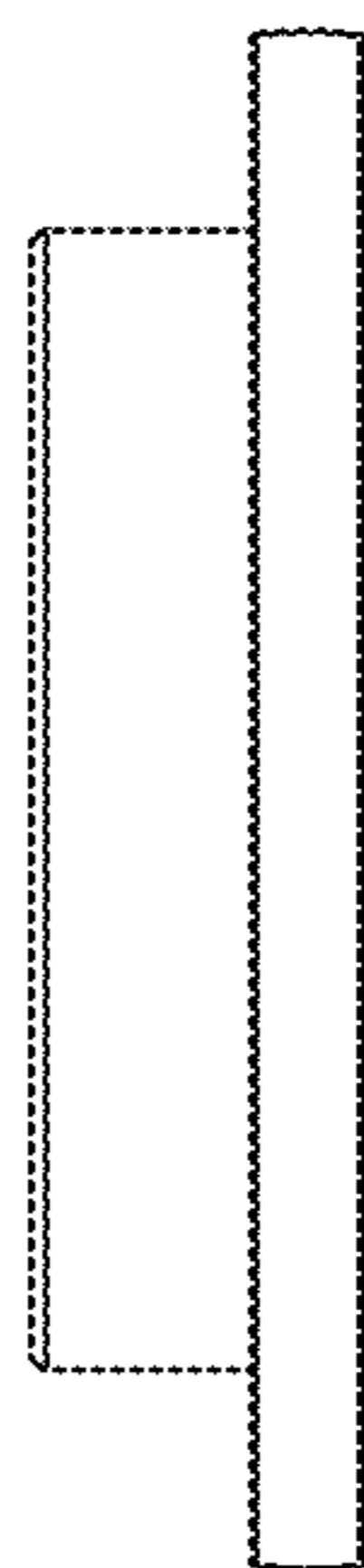


FIG. 37

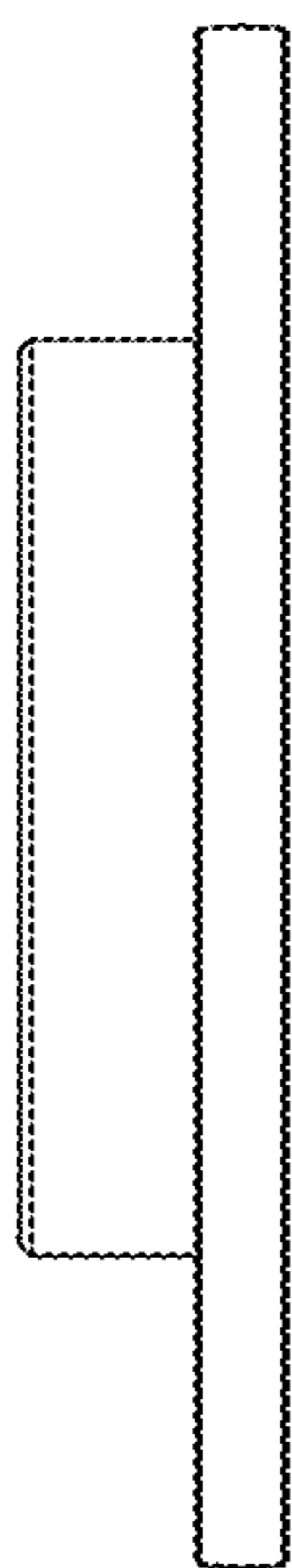


FIG. 38

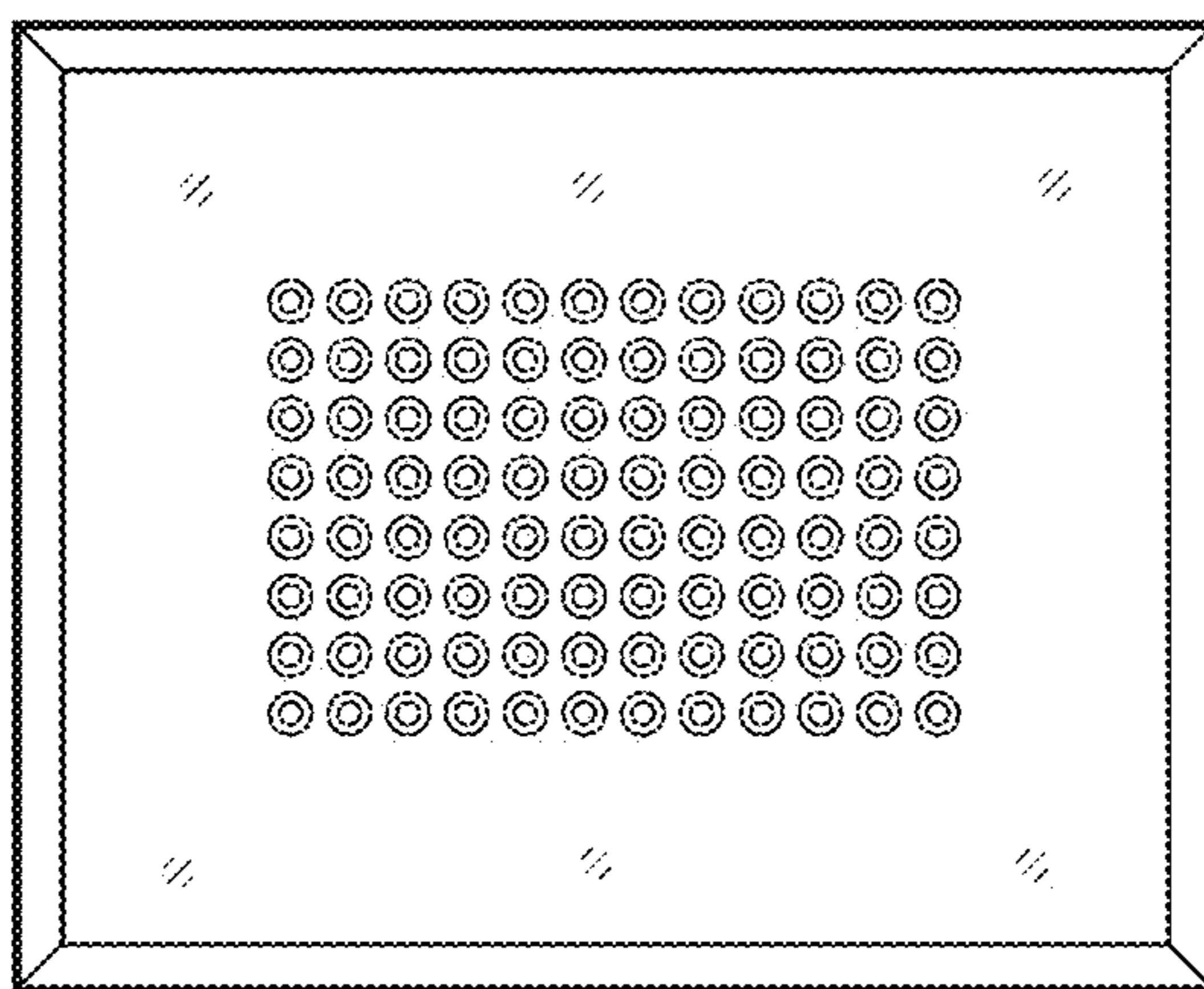


FIG. 39

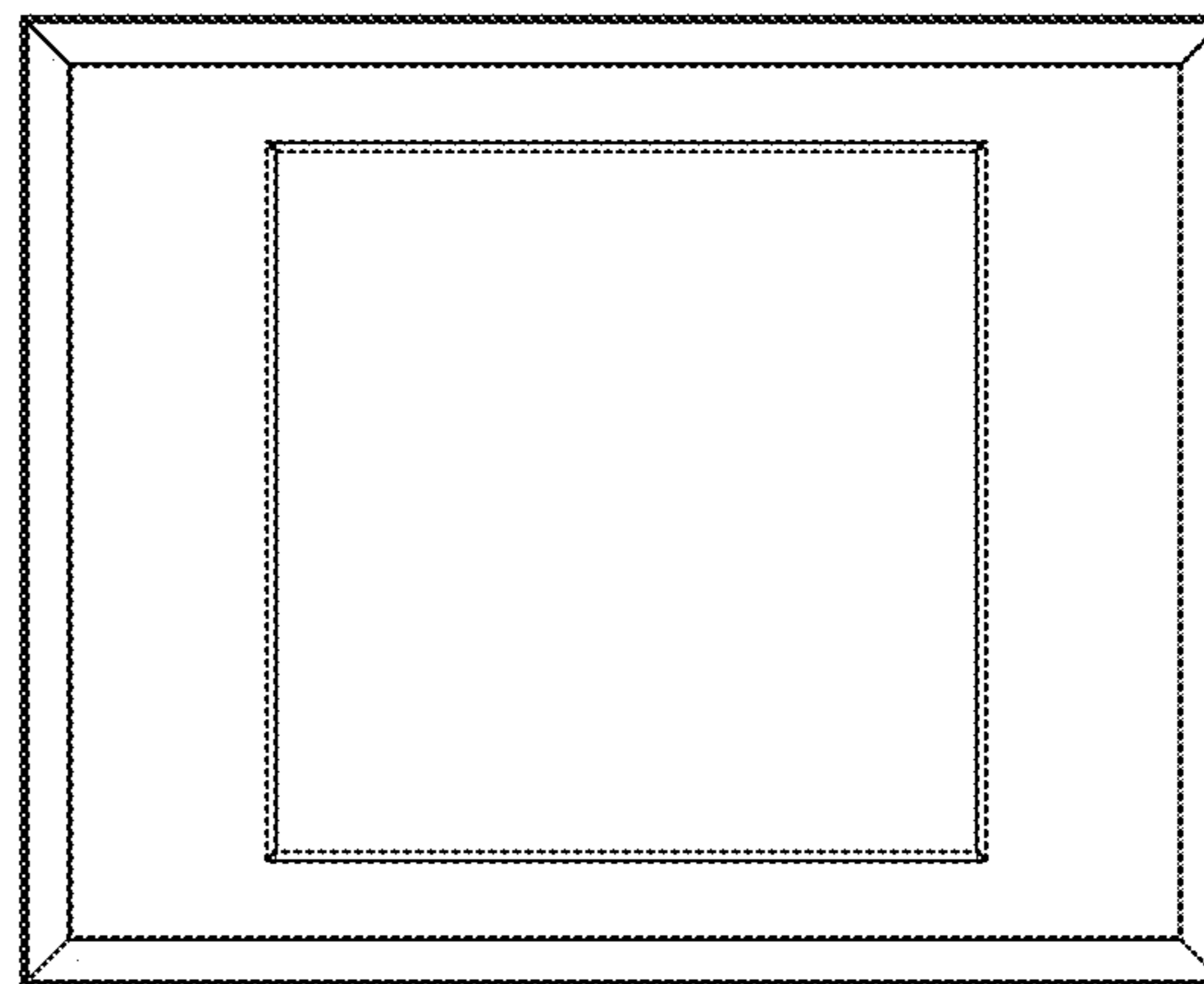


FIG. 40