



US00D892386S

(12) **United States Design Patent**
Browning

(10) **Patent No.:** **US D892,386 S**

(45) **Date of Patent:** **** Aug. 4, 2020**

(54) **LAMP**

(71) Applicant: **RH US, LLC**, Corte Madera, CA (US)

(72) Inventor: **Jonathan Richard Browning**, San Francisco, CA (US)

(73) Assignee: **RH US, LLC**, Corte Madera, CA (US)

(**) Term: **15 Years**

(21) Appl. No.: **29/717,240**

(22) Filed: **Dec. 16, 2019**

Related U.S. Application Data

(62) Division of application No. 29/664,464, filed on Sep. 25, 2018, now Pat. No. Des. 877,406.

(51) **LOC (12) Cl.** **26-03**

(52) **U.S. Cl.**
USPC **D26/88**

(58) **Field of Classification Search**
USPC D26/67, 72, 85, 87, 88, 90, 128, 137
CPC F21S 8/03; F21S 8/035; F21S 8/036; F21S 8/043; F21S 8/06; F21S 8/061; F21S 8/063; F21S 13/02; F21S 13/04; F21S 13/10; F21V 21/104; F21W 2121/004; F21W 2131/109

See application file for complete search history.

(56) **References Cited**

U.S. PATENT DOCUMENTS

D3,852 S	2/1870	Letchworth	
248,424 A *	10/1881	Edison	F21S 8/065 362/241
D29,366 S	9/1898	MacIntire	
D154,302 S	6/1949	Palmquist	
D202,804 S	11/1965	Bushcott	
D441,127 S	4/2001	Hoffbauer	
D467,677 S	12/2002	Ries	

D563,590 S *	3/2008	Hetfield	D26/72
D575,440 S	8/2008	Pelzl	
D588,298 S	3/2009	Sabernig	
D596,335 S *	7/2009	Sabernig	D26/88
D641,096 S	7/2011	Markle	
D660,504 S	5/2012	Martin	
D683,494 S *	5/2013	Verdin	D26/137
D713,590 S *	9/2014	Orozco	D26/85
D715,986 S	10/2014	Anastassiades	
D799,736 S *	10/2017	Hendifar	D26/88
D841,867 S *	2/2019	Lee	D26/88
D851,318 S *	6/2019	Amato	D26/87

(Continued)

OTHER PUBLICATIONS

Riston Adjustable Pendant Light at crateandbarrel.com visited Mar. 30, 2020 (Year: 2020).*

(Continued)

Primary Examiner — Clare E Heflin

(74) *Attorney, Agent, or Firm* — Lewis Roca Rothgerber Christie LLP

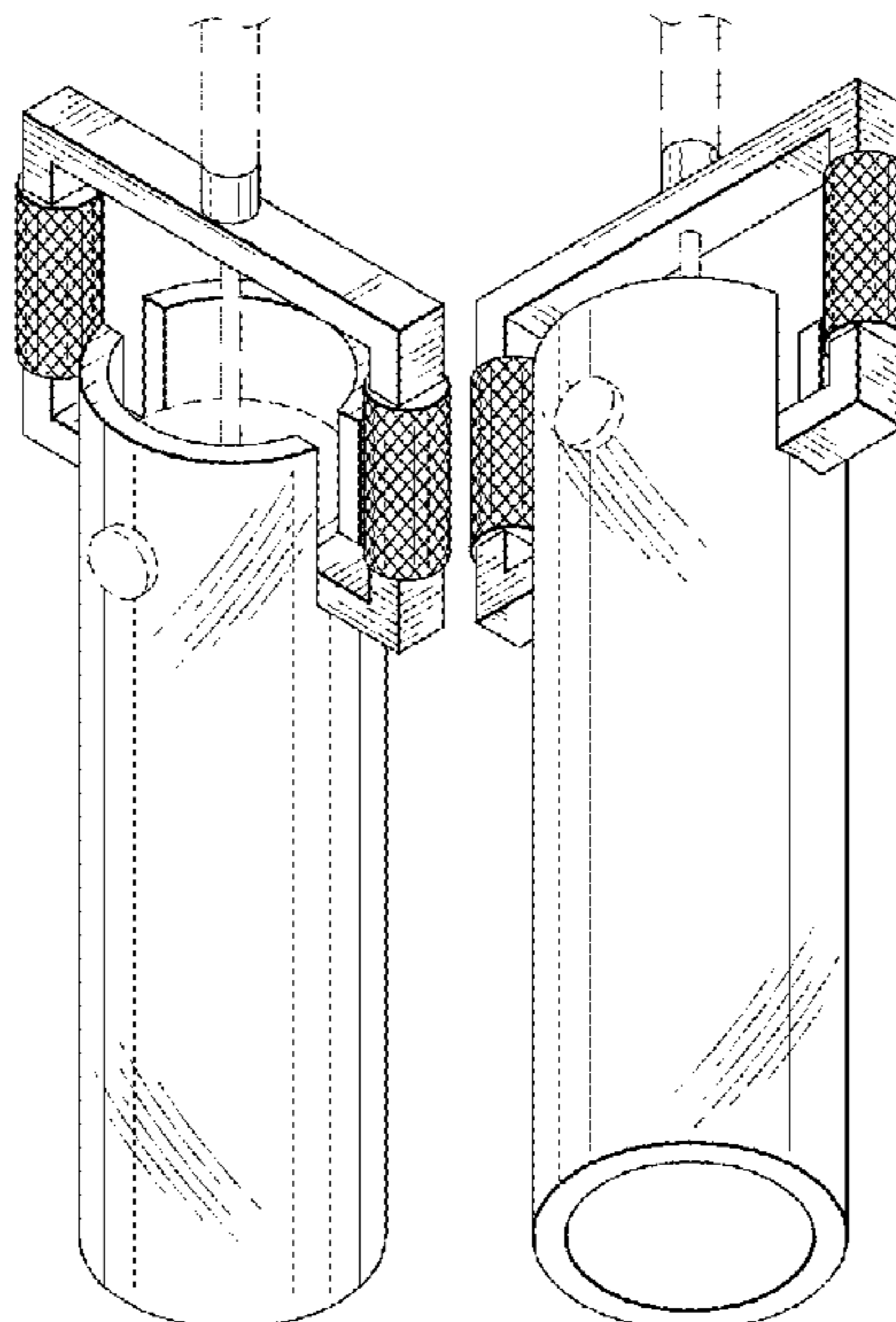
(57) **CLAIM**

The ornamental design for a lamp, as shown and described.

DESCRIPTION

FIG. 1 is a front and upper right perspective of a lamp; FIG. 2 is a front and lower left perspective view of the lamp of FIG. 1; FIG. 3 is a top plan view of the lamp of FIG. 1; FIG. 4 is a front elevational view of the lamp of FIG. 1, the rear view being a mirror image; FIG. 5 is a side elevational view of the lamp of FIG. 1, the right and left views being mirror images of one another; and, FIG. 6 is a bottom plan view of the lamp of FIG. 1. The broken lines are for environmental purposes only, and form no part of the claimed design.

1 Claim, 2 Drawing Sheets



(56)

References Cited

U.S. PATENT DOCUMENTS

D863,649 S 10/2019 Wellens
2008/0205067 A1* 8/2008 Neeld F21V 3/00
362/317

OTHER PUBLICATIONS

LEDMO Industrial Barn Pendant Light at amazon.com Aug. 8, 2019. (Year: 2019).*

Cast 1 Pendant Light By Thomas Chung & Jordan Murphy, from Menu. website visited Nov. 25, 2019. <<https://www.ylighting.com/cast-1-pendant-light-by-menu-MENP200864.html>> (Year: 2019).

* cited by examiner

FIG. 1

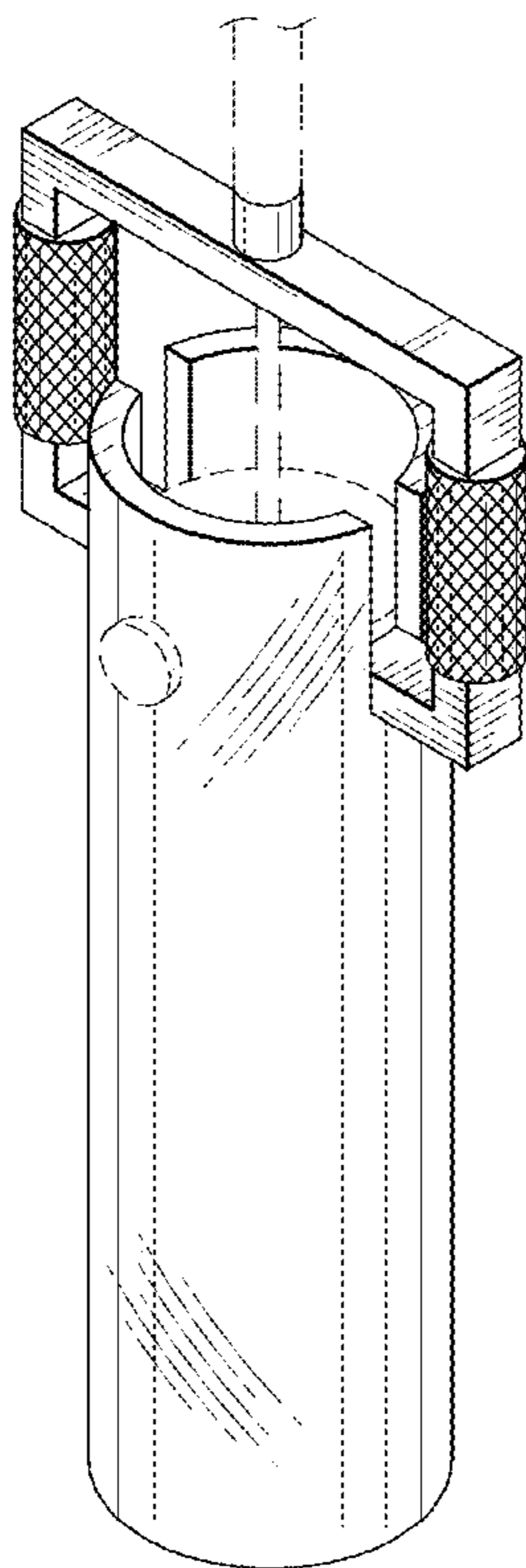


FIG. 2

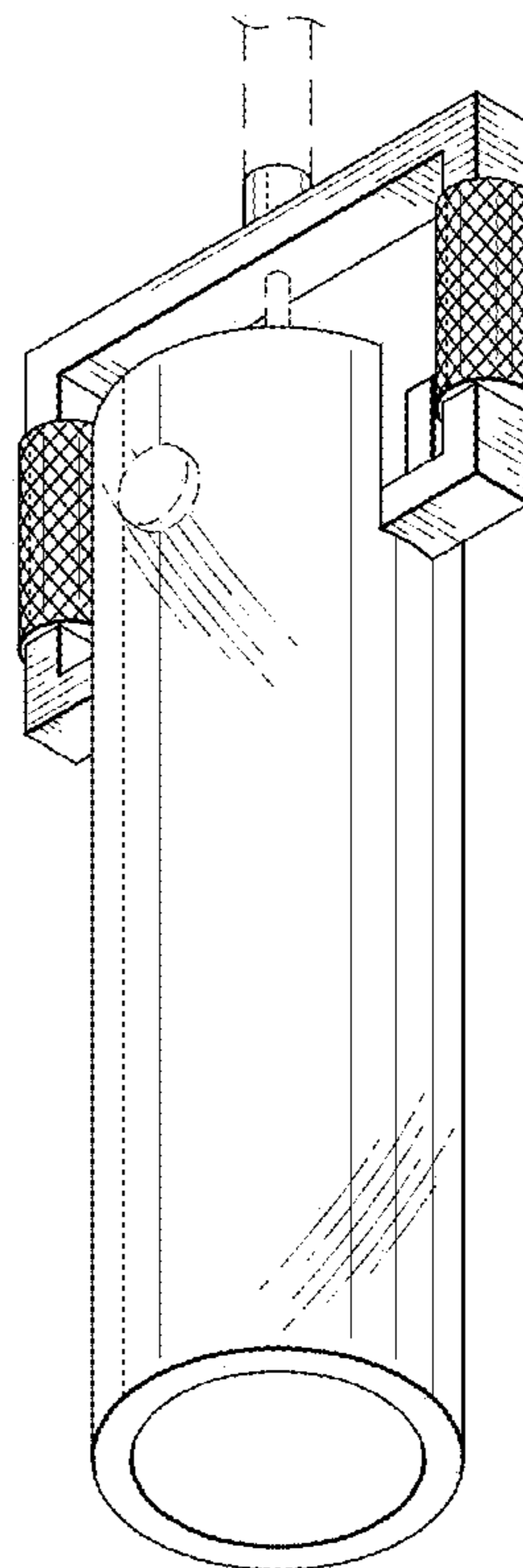


FIG. 3

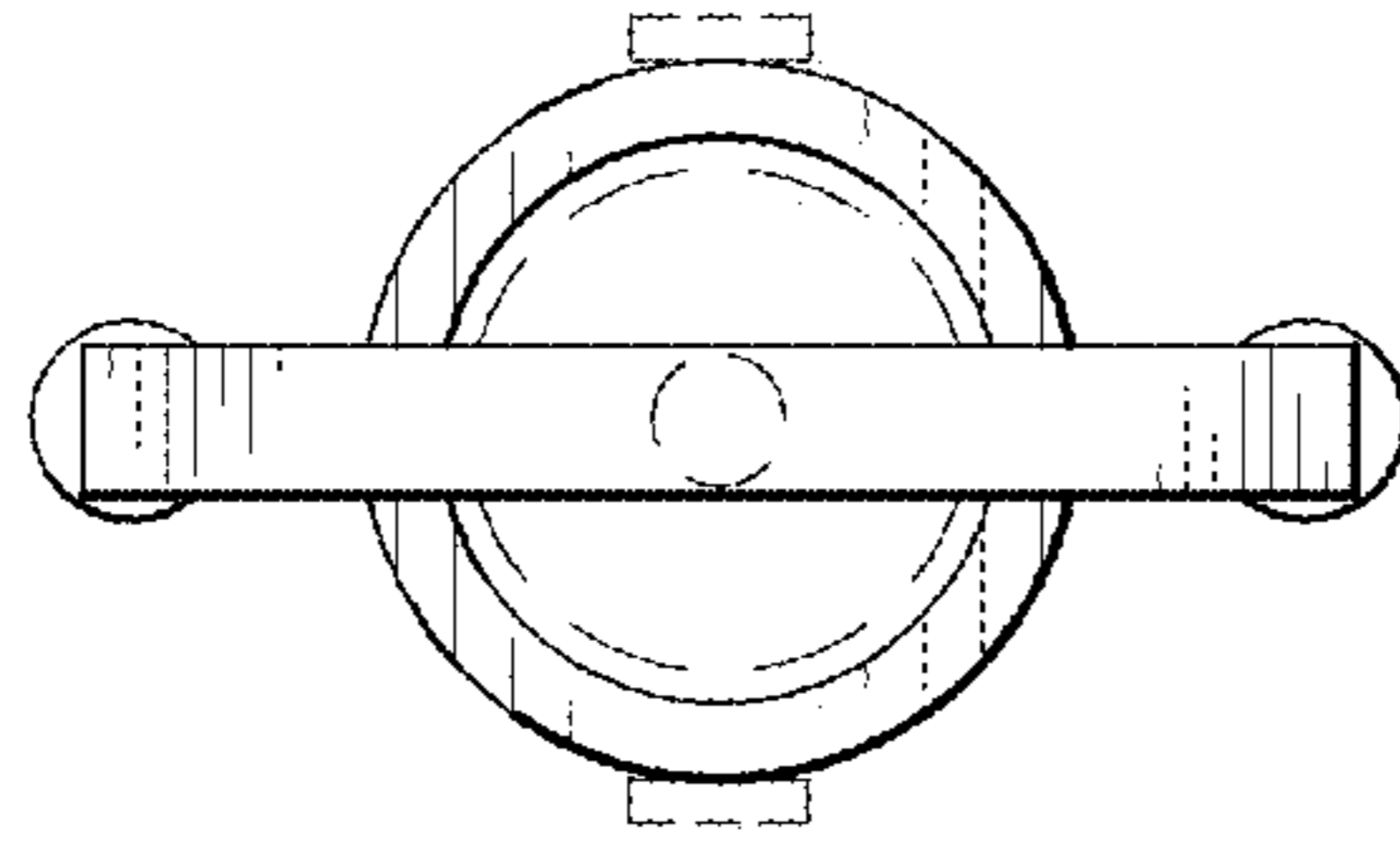


FIG. 4

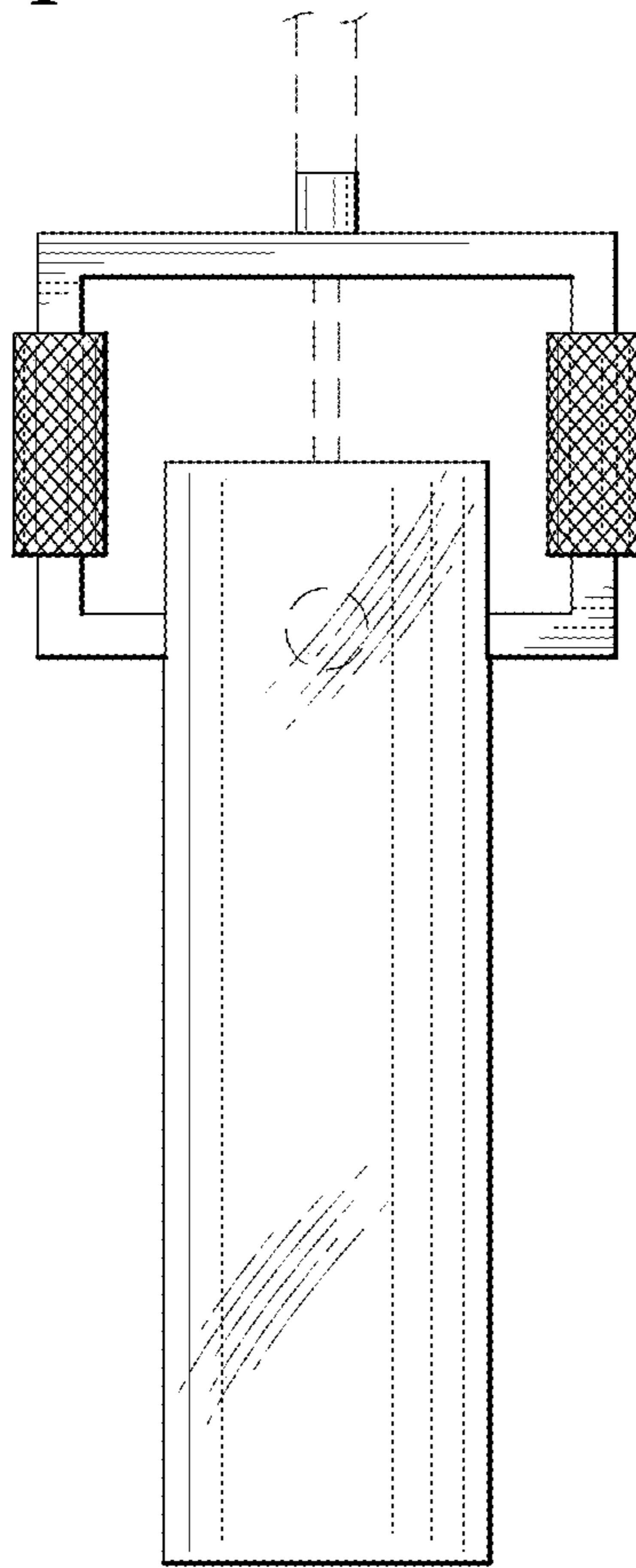


FIG. 5

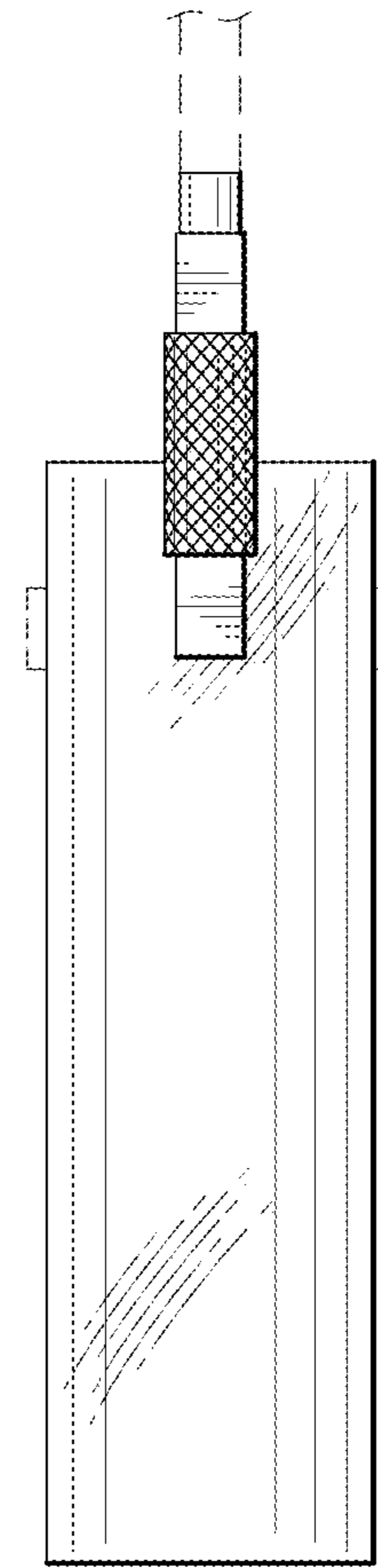


FIG. 6

