



US00D892383S

(12) **United States Design Patent**
McDennon

(10) **Patent No.:** **US D892,383 S**

(45) **Date of Patent:** **** Aug. 4, 2020**

(54) **LIGHTING FIXTURE**

(71) Applicant: **Hinkley Lighting, Inc.**, Avon Lake, OH (US)

(72) Inventor: **Lisa McDennon**, Laguna Beach, CA (US)

(73) Assignee: **HINKLEY LIGHTING, INC.**, Avon Lake, OH (US)

(**) Term: **15 Years**

(21) Appl. No.: **29/632,853**

(22) Filed: **Jan. 10, 2018**

(51) **LOC (12) Cl.** **26-03**

(52) **U.S. Cl.**

USPC **D26/87**

(58) **Field of Classification Search**

USPC D26/67, 72, 85, 87, 88, 90

CPC F21S 8/03; F21S 8/035; F21S 8/036; F21S 8/043; F21S 8/06; F21S 8/061; F21S 8/063; F21S 13/02; F21S 13/04; F21S 13/10; F21V 21/104; F21W 2121/004; F21W 2131/109

See application file for complete search history.

(56) **References Cited**

U.S. PATENT DOCUMENTS

D461,578 S *	8/2002	Cheong	D26/67
D468,043 S *	12/2002	Krieger	D26/67
D475,797 S *	6/2003	Cheong	D26/37
D495,817 S *	9/2004	Bucher	D26/67
D574,534 S *	8/2008	Lastimosa	D26/67
D589,194 S *	3/2009	Sabernig	D26/104
D629,949 S *	12/2010	Ho	D26/67
D663,063 S *	7/2012	Yang	D26/67
D706,971 S *	6/2014	Walsh	D26/87

(Continued)

OTHER PUBLICATIONS

Maxwell Lantern from potterybarn.com, visited Mar. 26, 2020. (Year: 2020).*

(Continued)

Primary Examiner — Clare E Heflin

(74) *Attorney, Agent, or Firm* — Pearne & Gordon LLP

(57) **CLAIM**

I claim the ornamental design for the lighting fixture, as shown and described.

DESCRIPTION

FIG. 1 is a top perspective view of a lighting fixture showing a first embodiment of the new design;

FIG. 2 is a bottom perspective view thereof;

FIG. 3 is a left side view thereof;

FIG. 4 is a front view thereof;

FIG. 5 is a right side view thereof;

FIG. 6 is a top view thereof; and

FIG. 7 is a bottom view thereof.

FIG. 8 is a top perspective view of a lighting fixture showing a second embodiment of the new design;

FIG. 9 is a bottom perspective view thereof;

FIG. 10 is a left side view thereof;

FIG. 11 is a front view thereof;

FIG. 12 is a right side view thereof;

FIG. 13 is a top view thereof; and

FIG. 14 is a bottom view thereof.

FIG. 15 is a top perspective view of a lighting fixture showing a third embodiment of the new design;

FIG. 16 is a bottom perspective view thereof;

FIG. 17 is a left side view thereof;

FIG. 18 is a front view thereof;

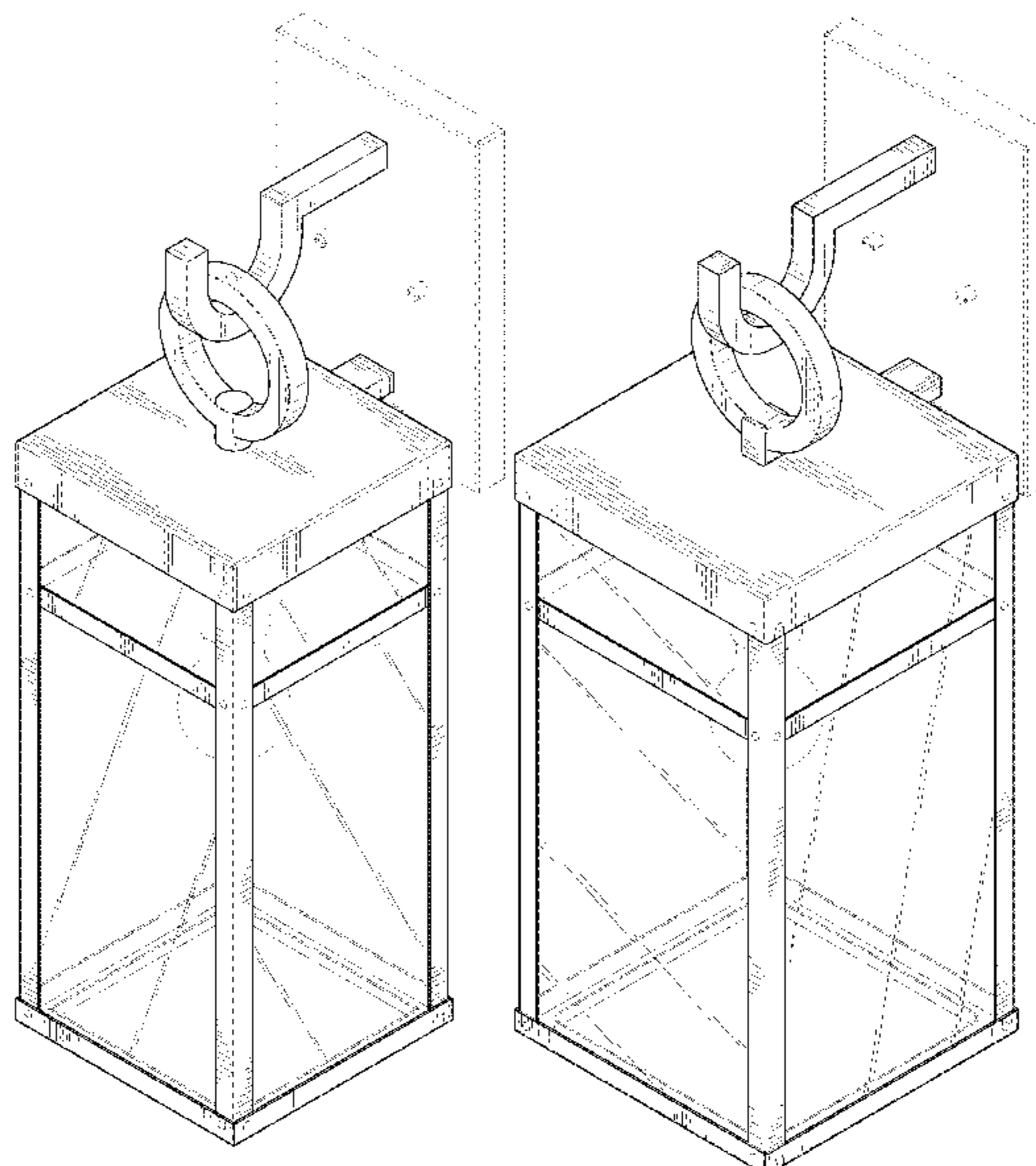
FIG. 19 is a right side view thereof;

FIG. 20 is a top view thereof; and,

FIG. 21 is a bottom view thereof.

Broken lines appearing in the figures constitute portions of the lighting fixture that form no part of the claimed design.

1 Claim, 12 Drawing Sheets



(56)

References Cited

U.S. PATENT DOCUMENTS

D785,223 S * 4/2017 Patton D26/67
D807,551 S * 1/2018 Wiedemer D26/67
D831,876 S * 10/2018 Moon D26/87
D857,277 S * 8/2019 Amato D26/88

OTHER PUBLICATIONS

Bellevue Single Light 10" Tall Outdoor Wall Sconce from build.com, visited Mar. 26, 2020. (Year: 2020).*

Manor, Indoor/Outdoor Sconce from potterybarn.com, visited Mar. 26, 2020. (Year: 2020).*

Porter, single light 19" Tall Lisa McDennon Outdoor wall Sconce, from build.com, visited Mar. 26, 2020. (Year: 2020).*

* cited by examiner

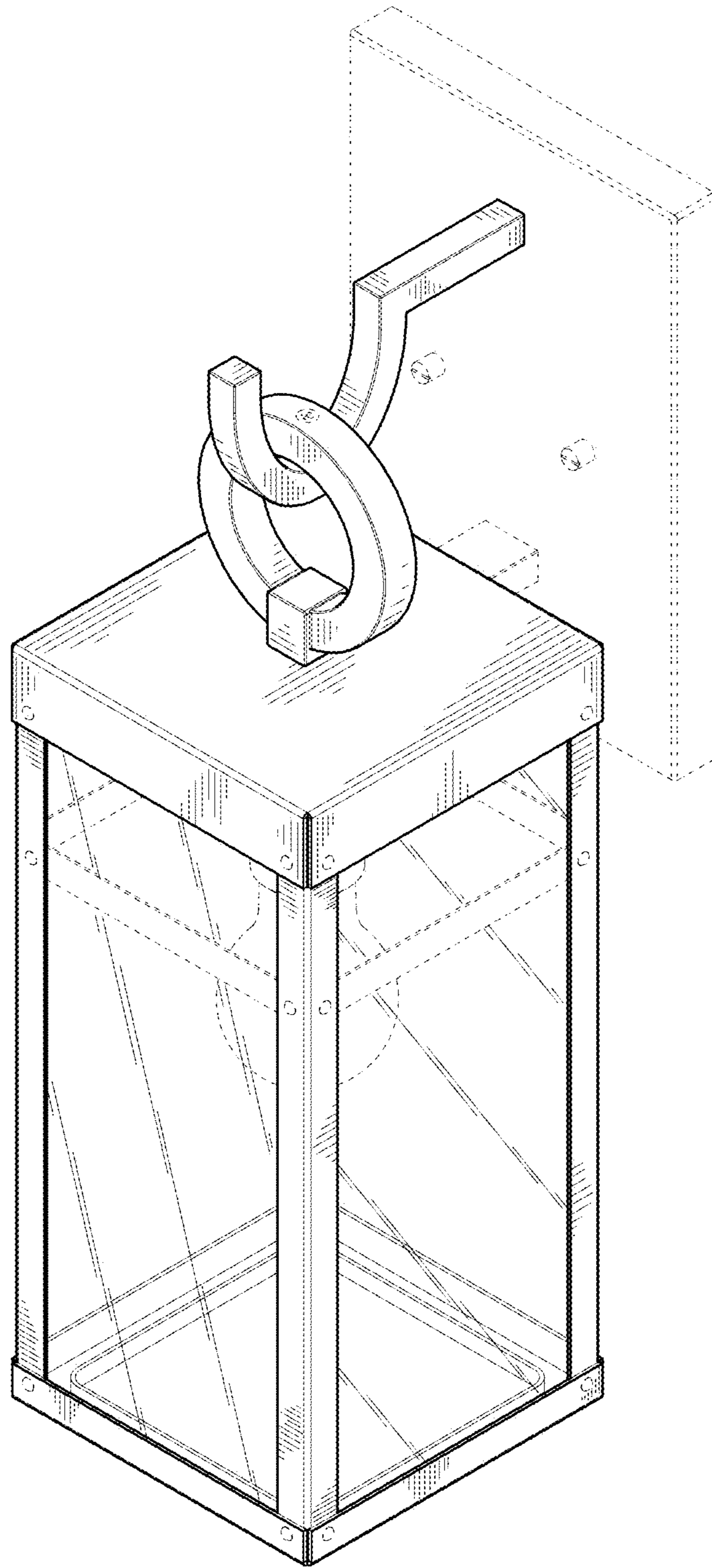


Fig. 1

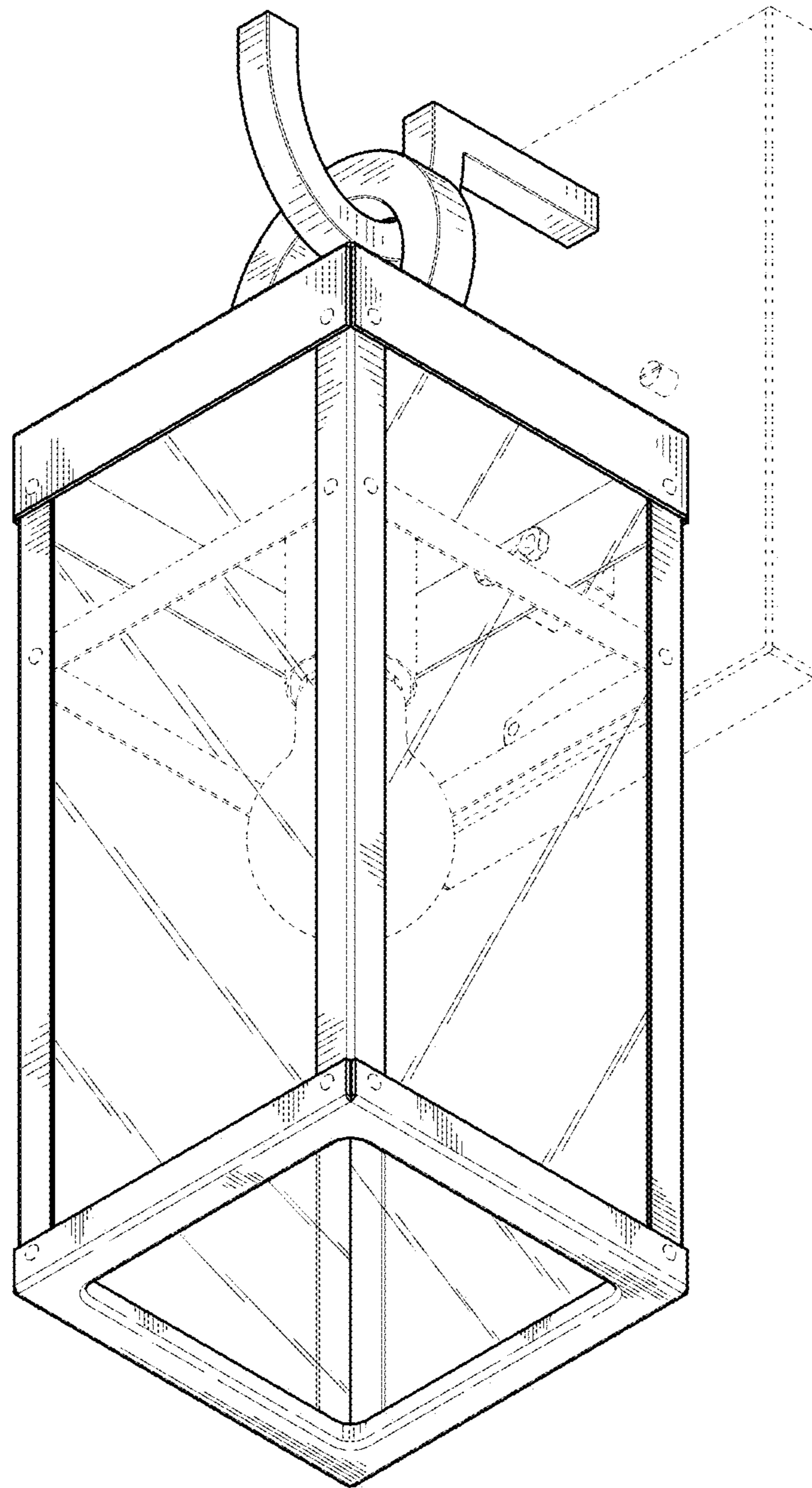


Fig. 2

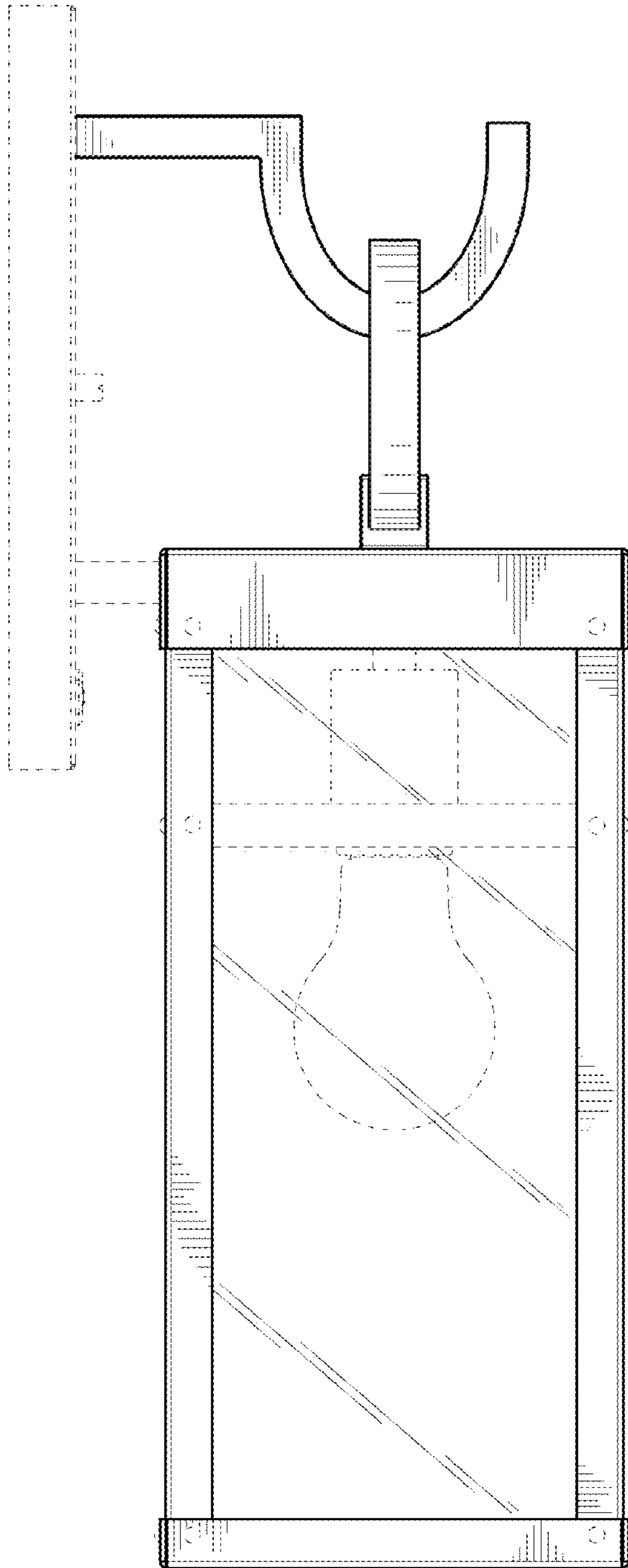


Fig. 3

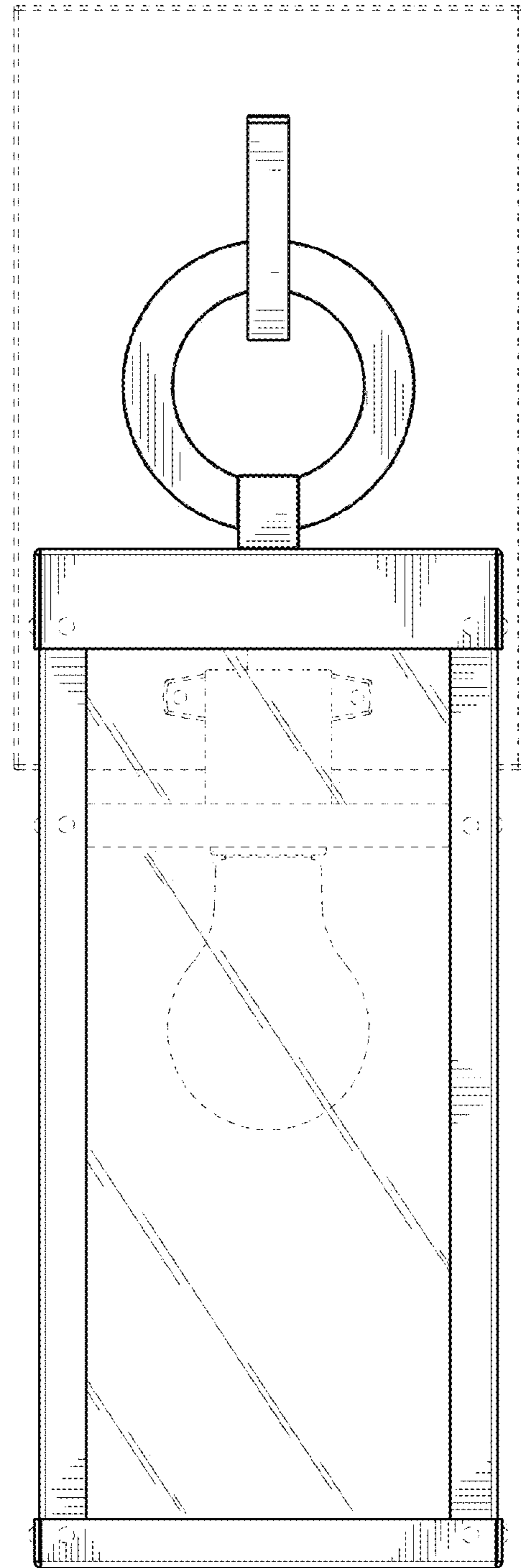


Fig. 4

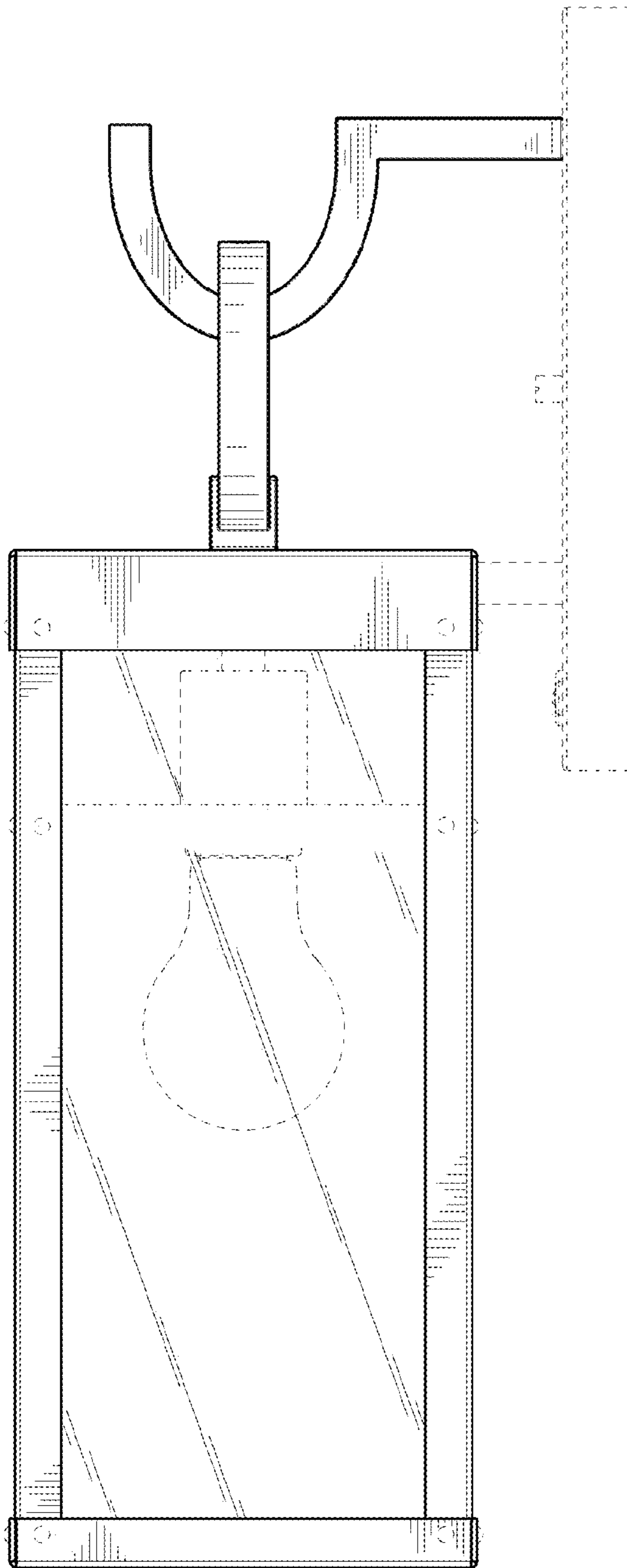


Fig. 5

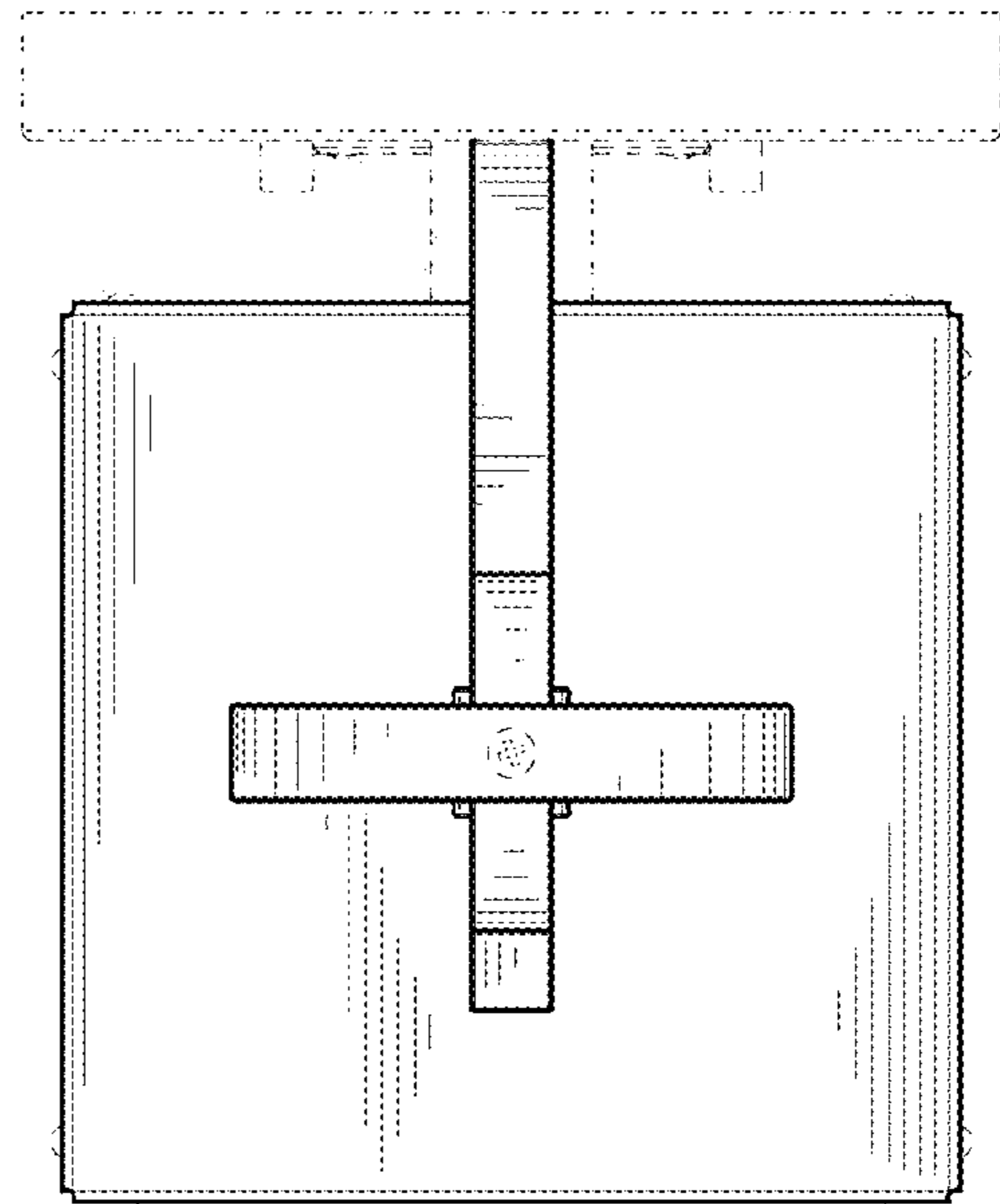


Fig. 6

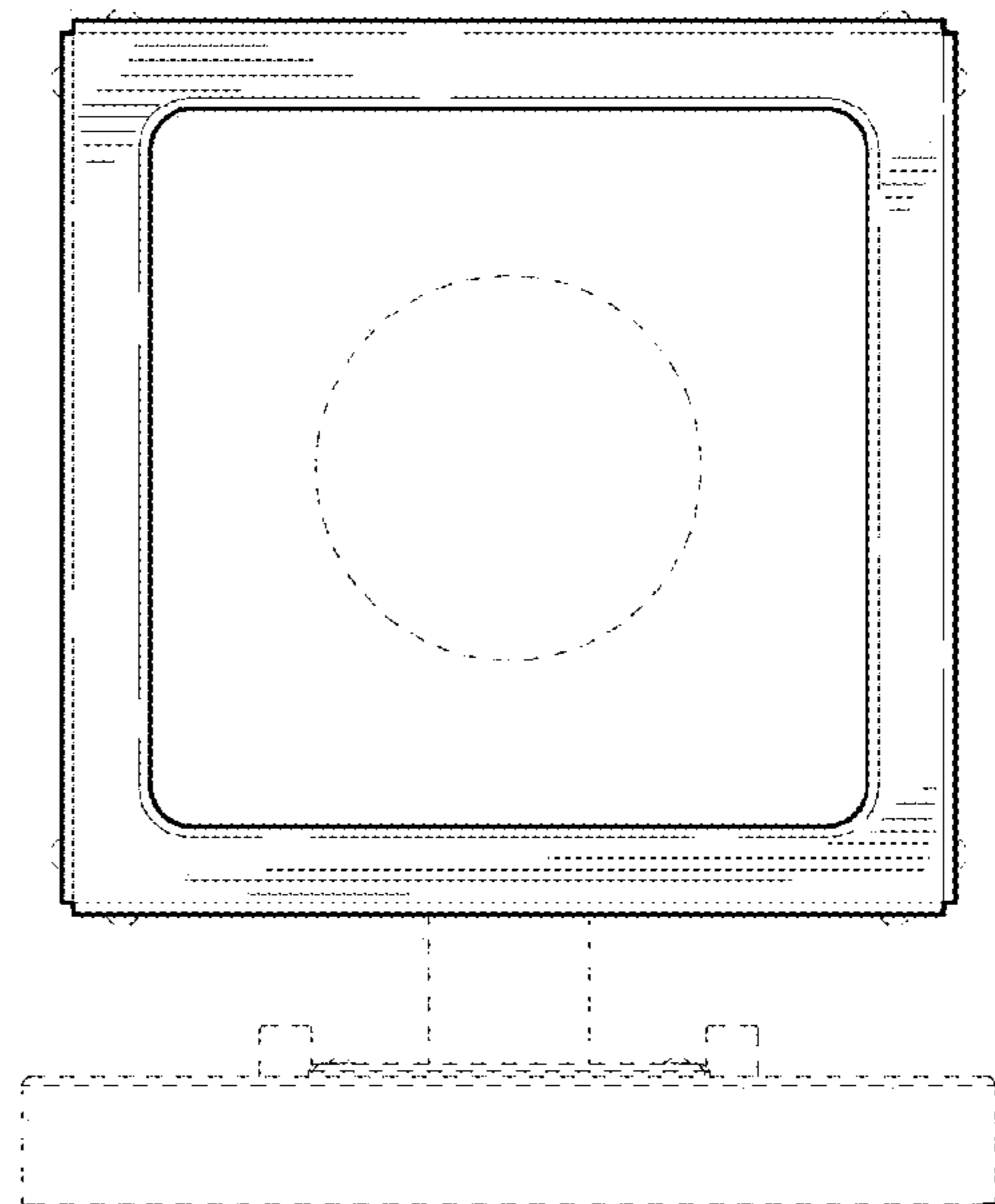


Fig. 7

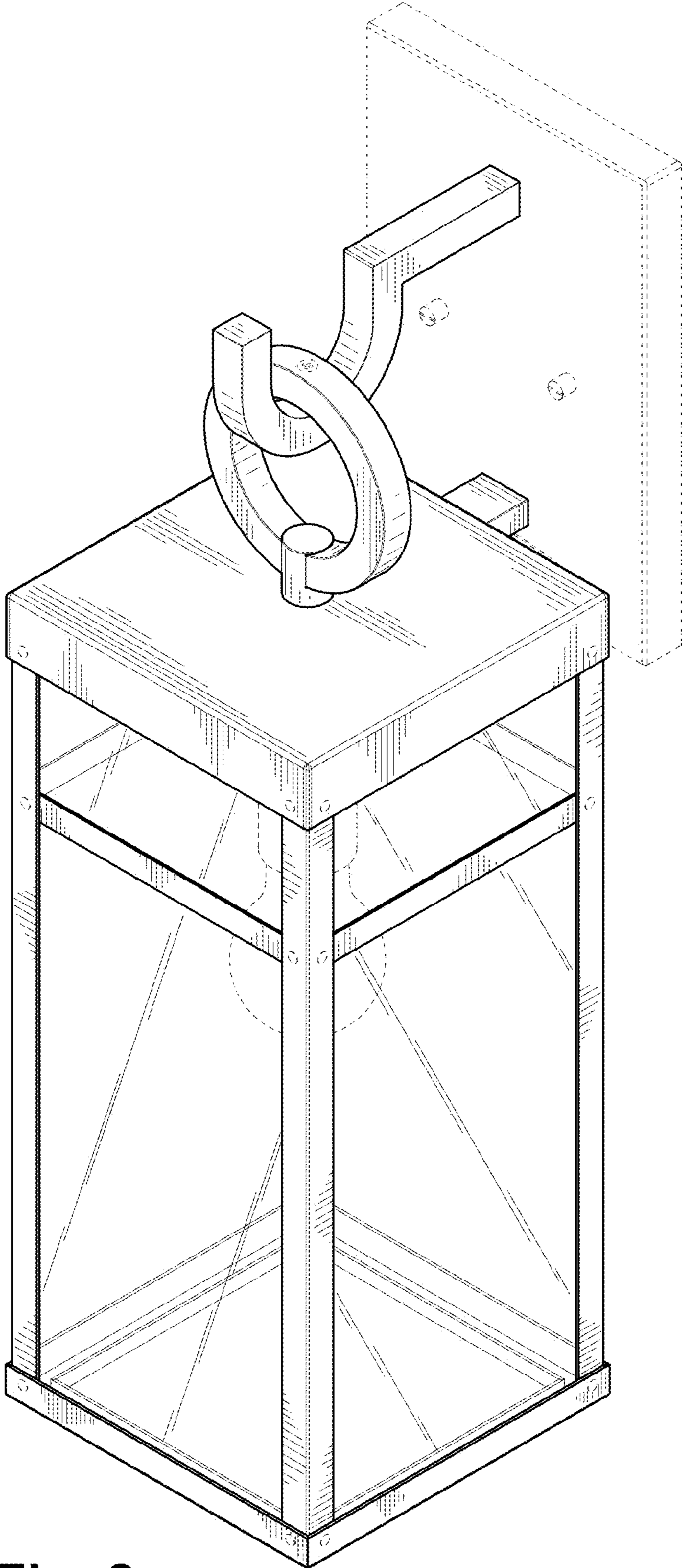


Fig. 8

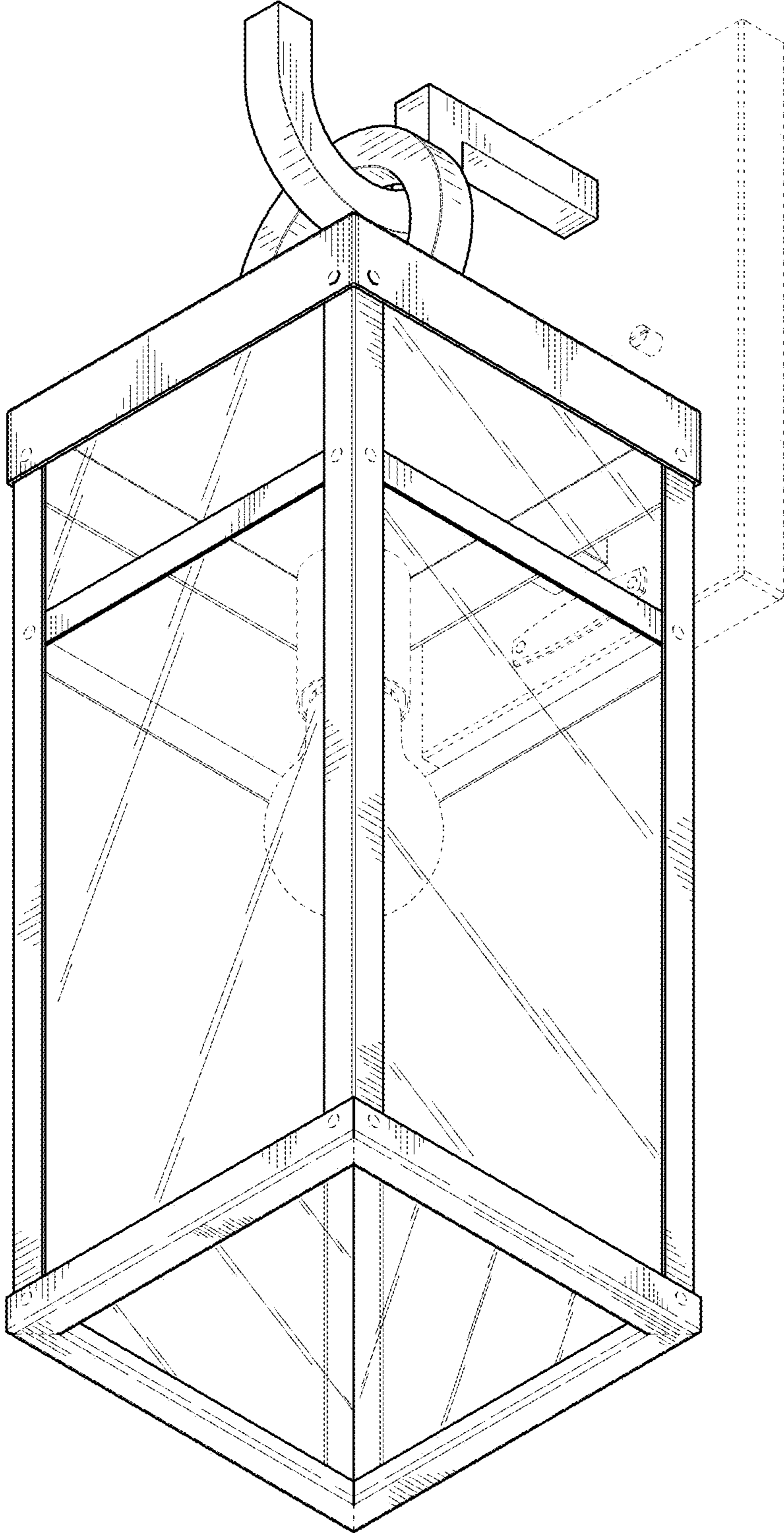


Fig. 9

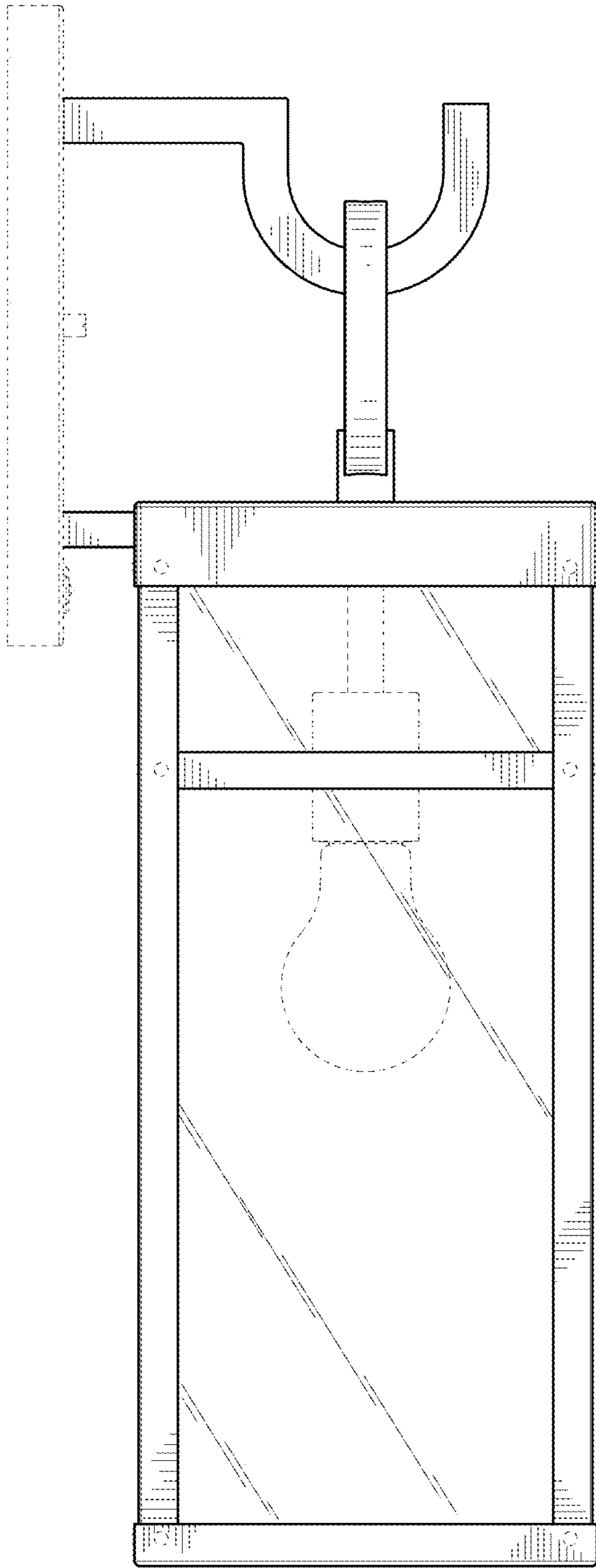


Fig. 10

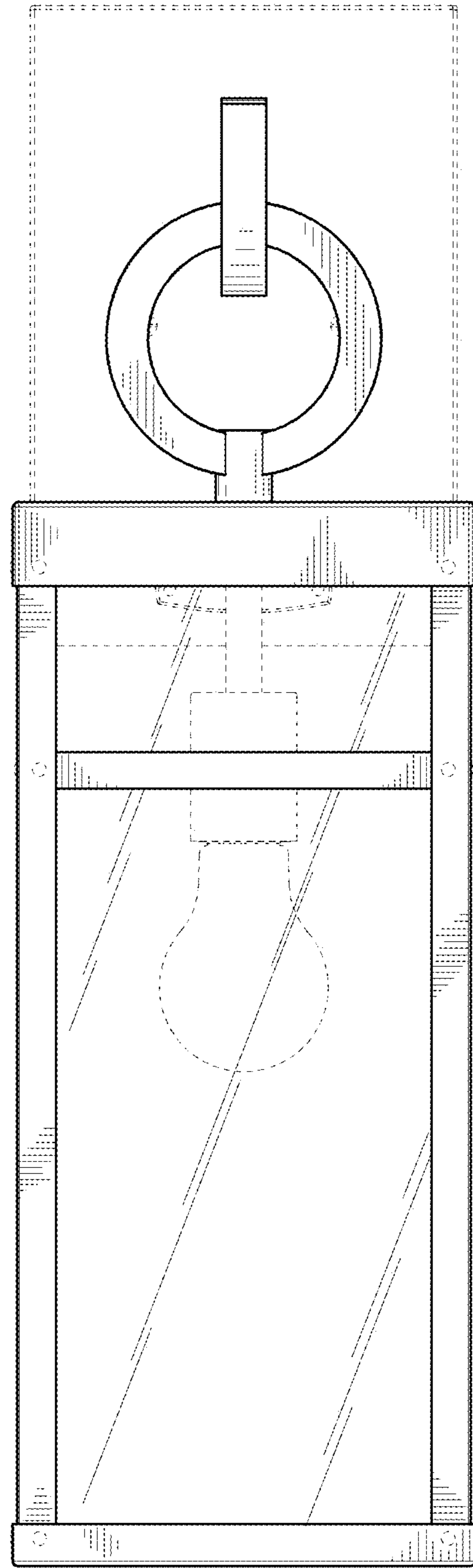


Fig. 11

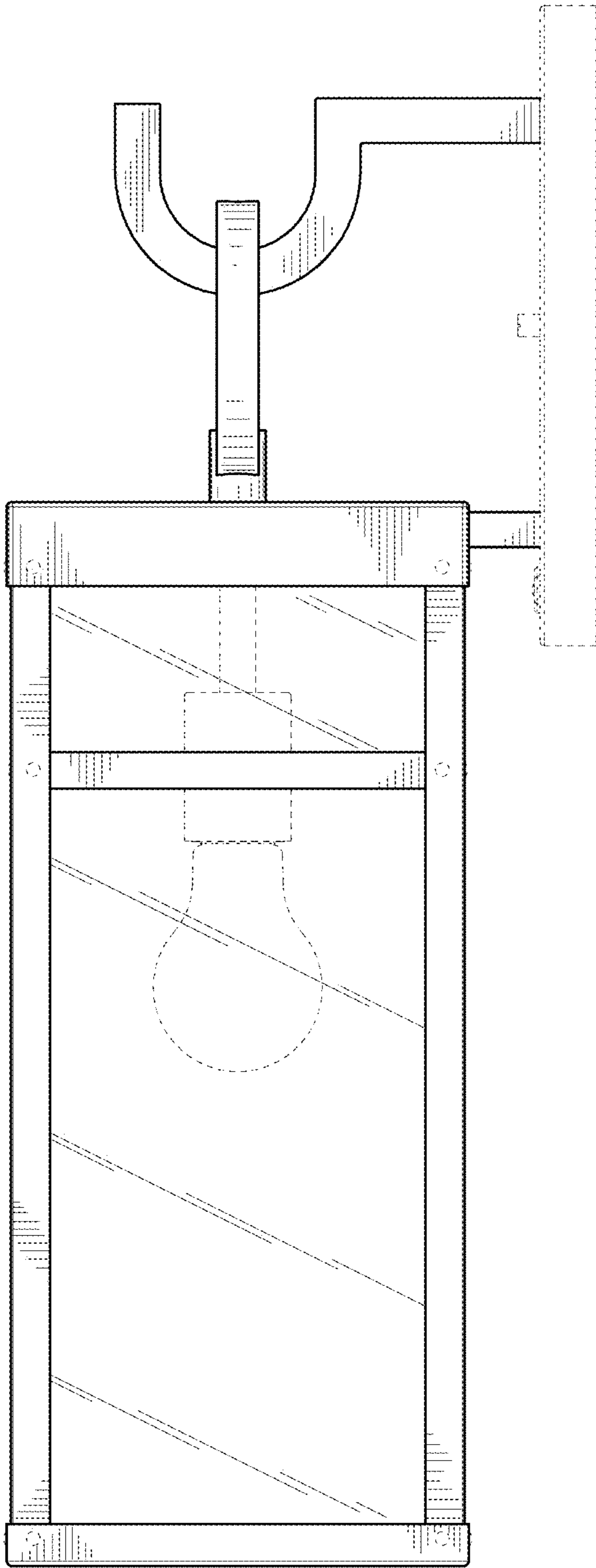


Fig. 12

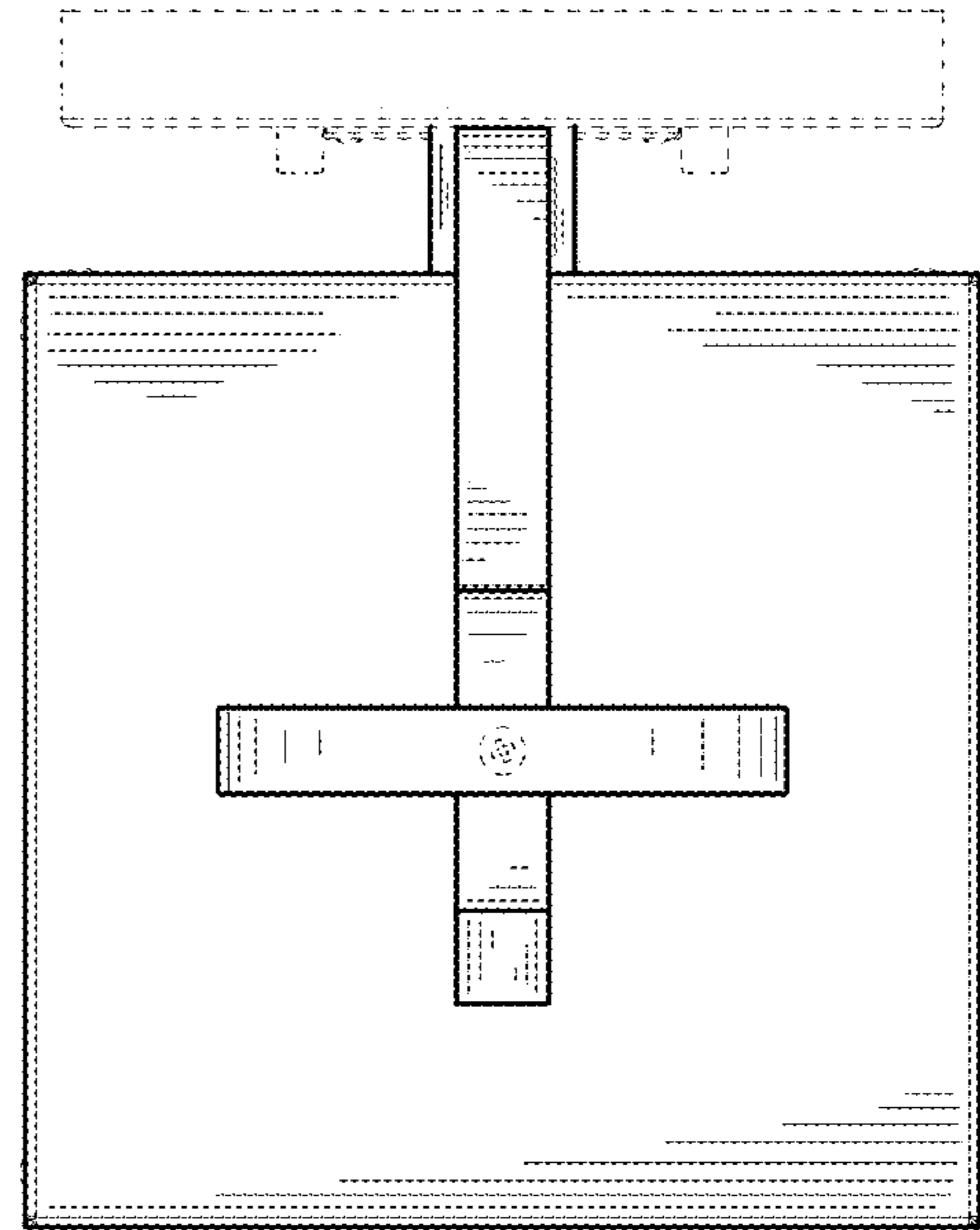


Fig. 13

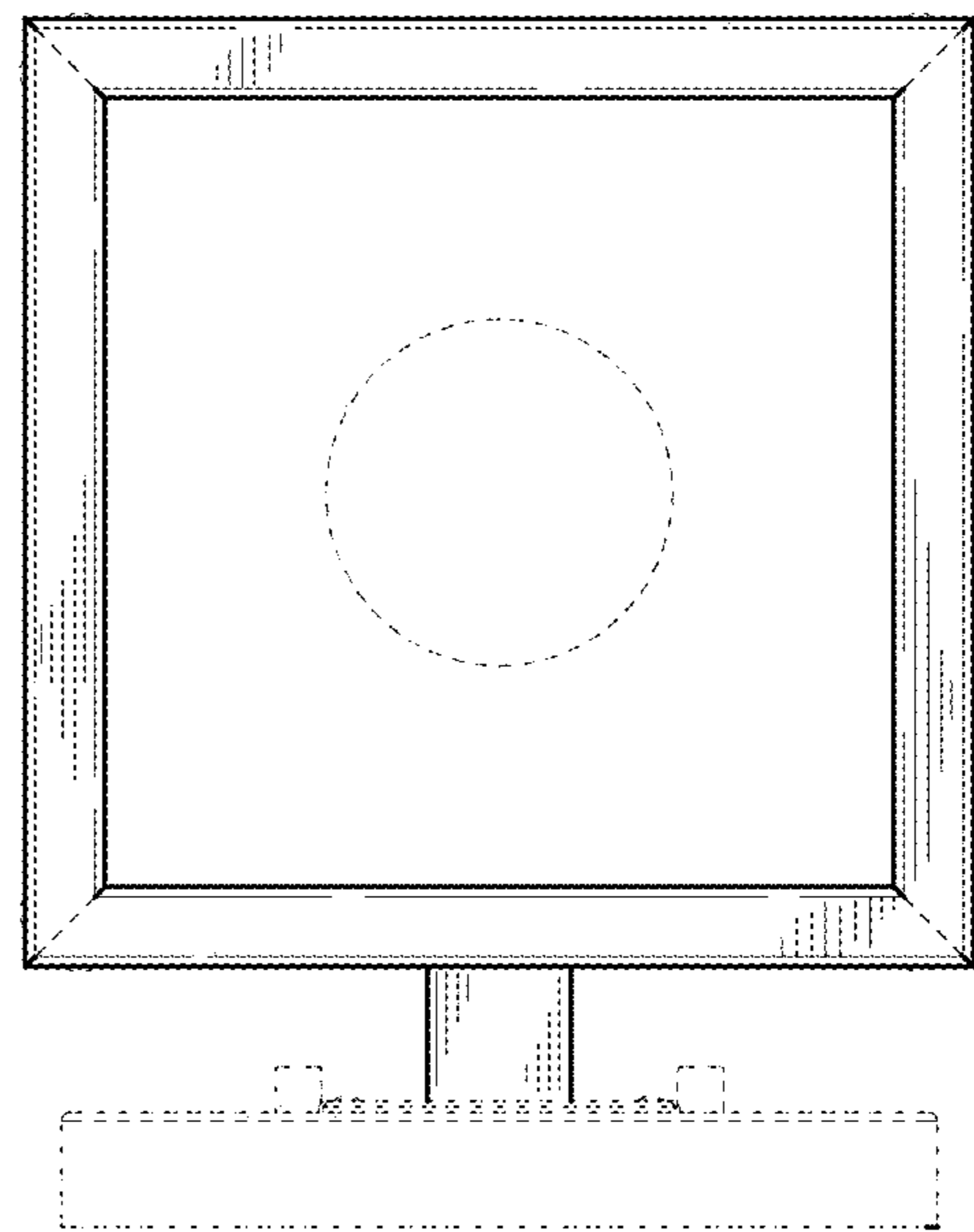


Fig. 14

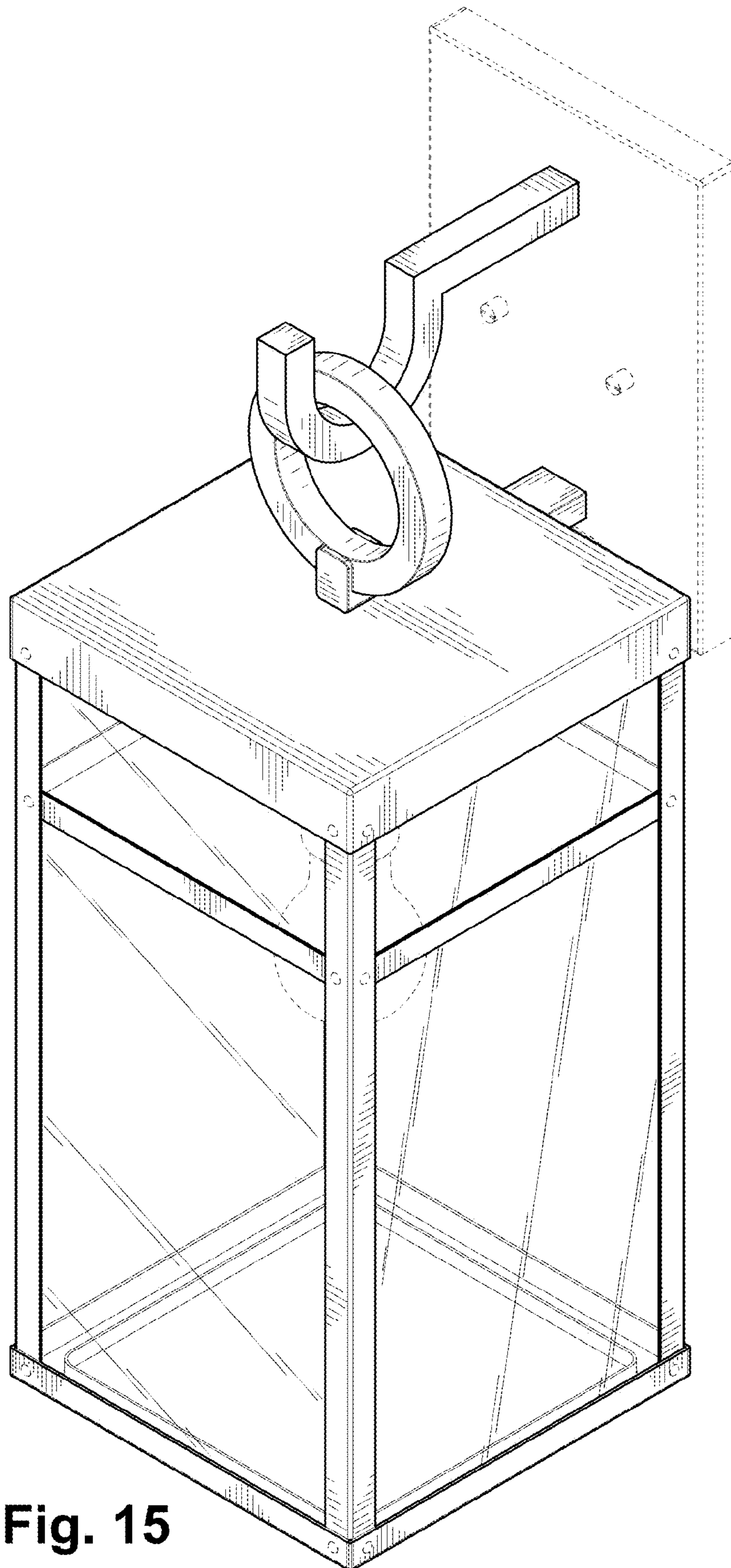


Fig. 15

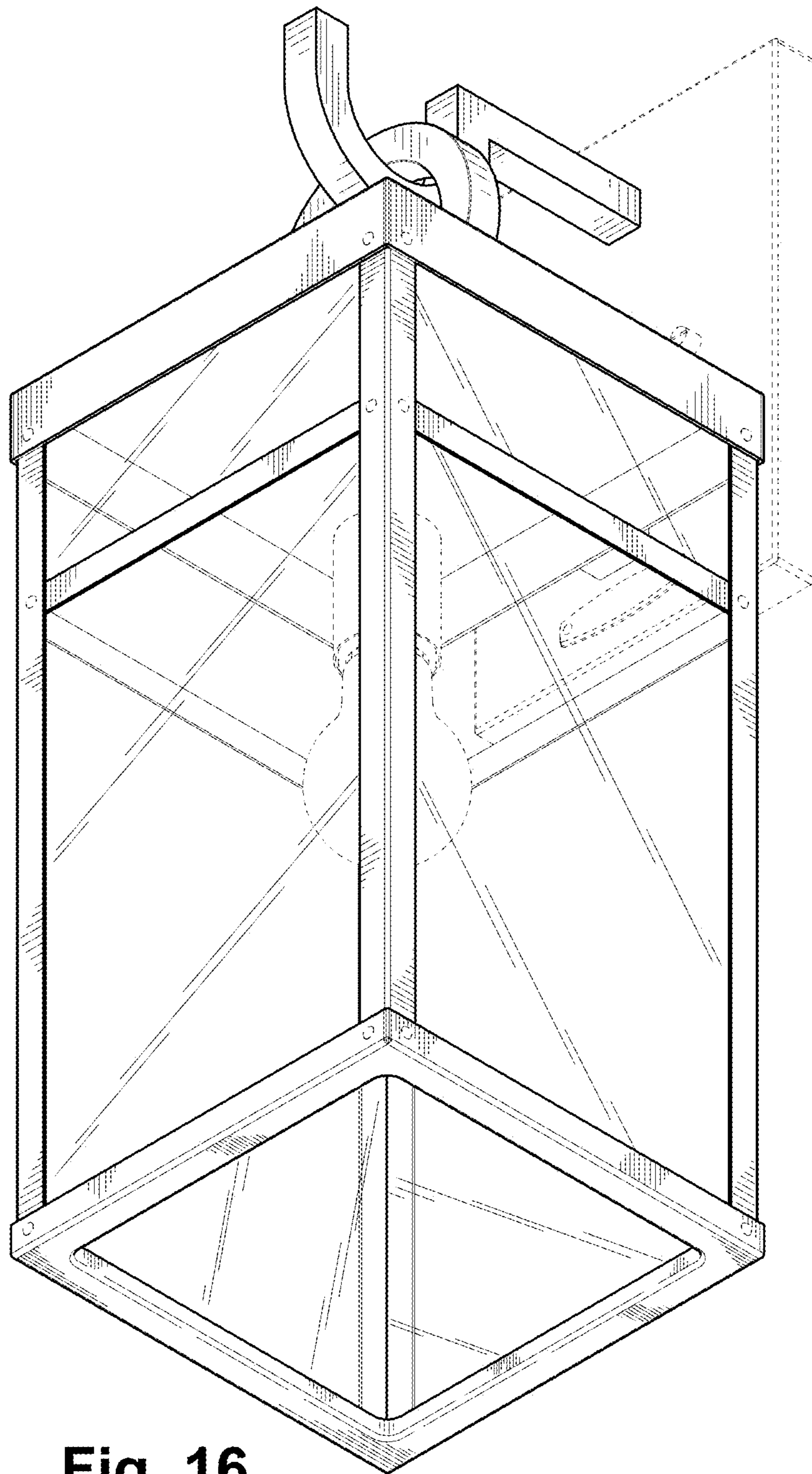


Fig. 16

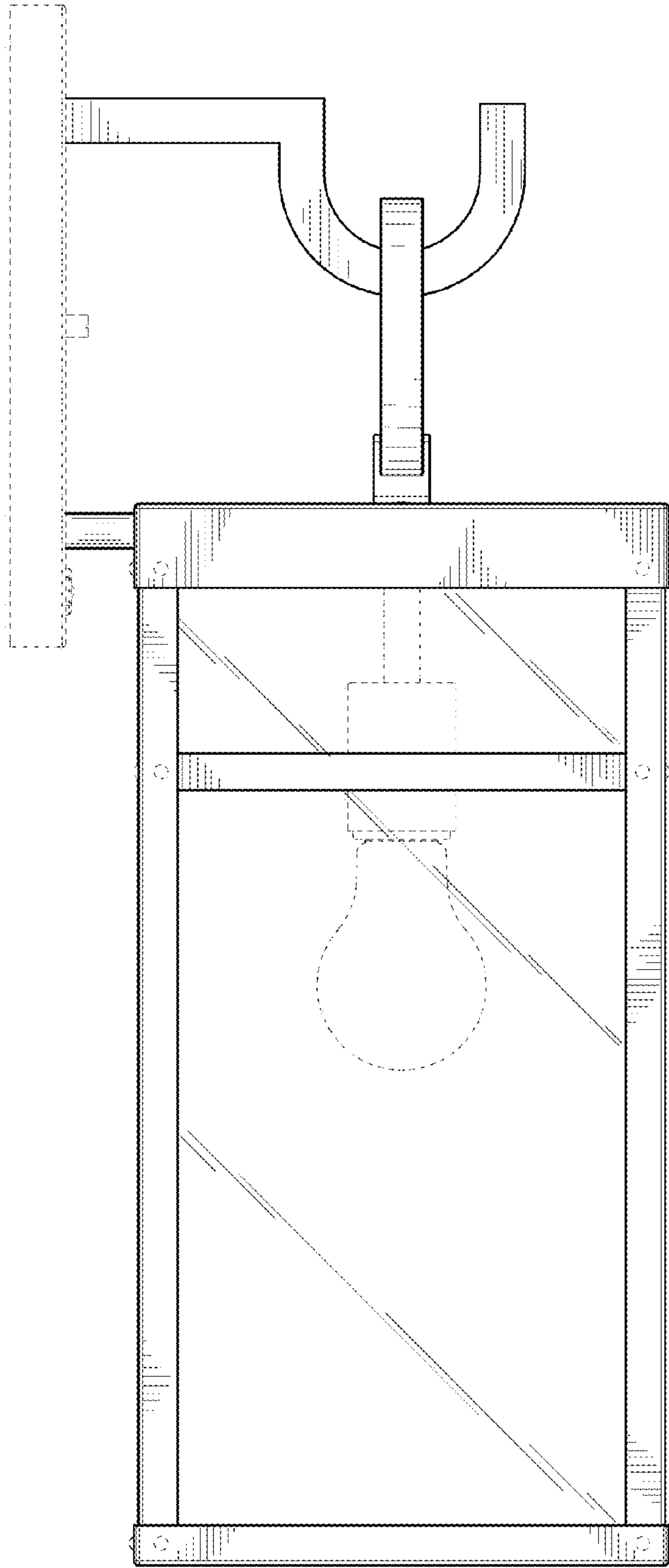


Fig. 17

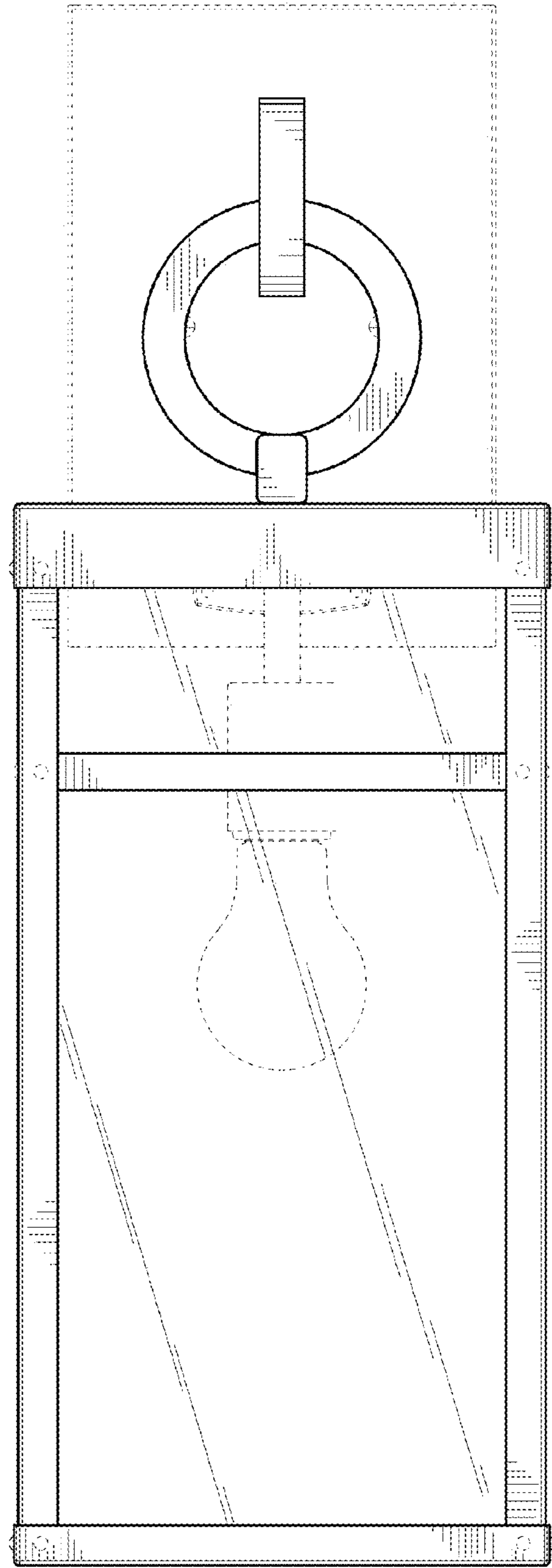


Fig. 18

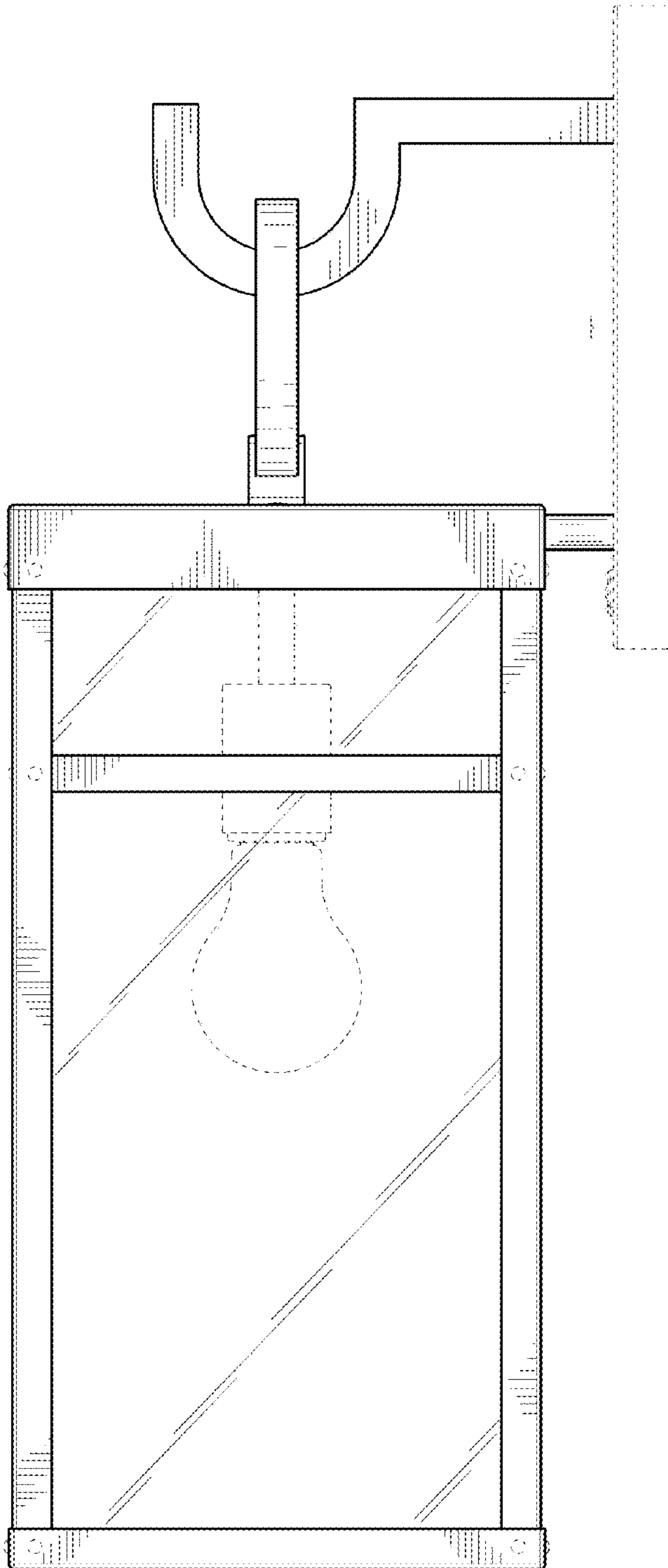


Fig. 19

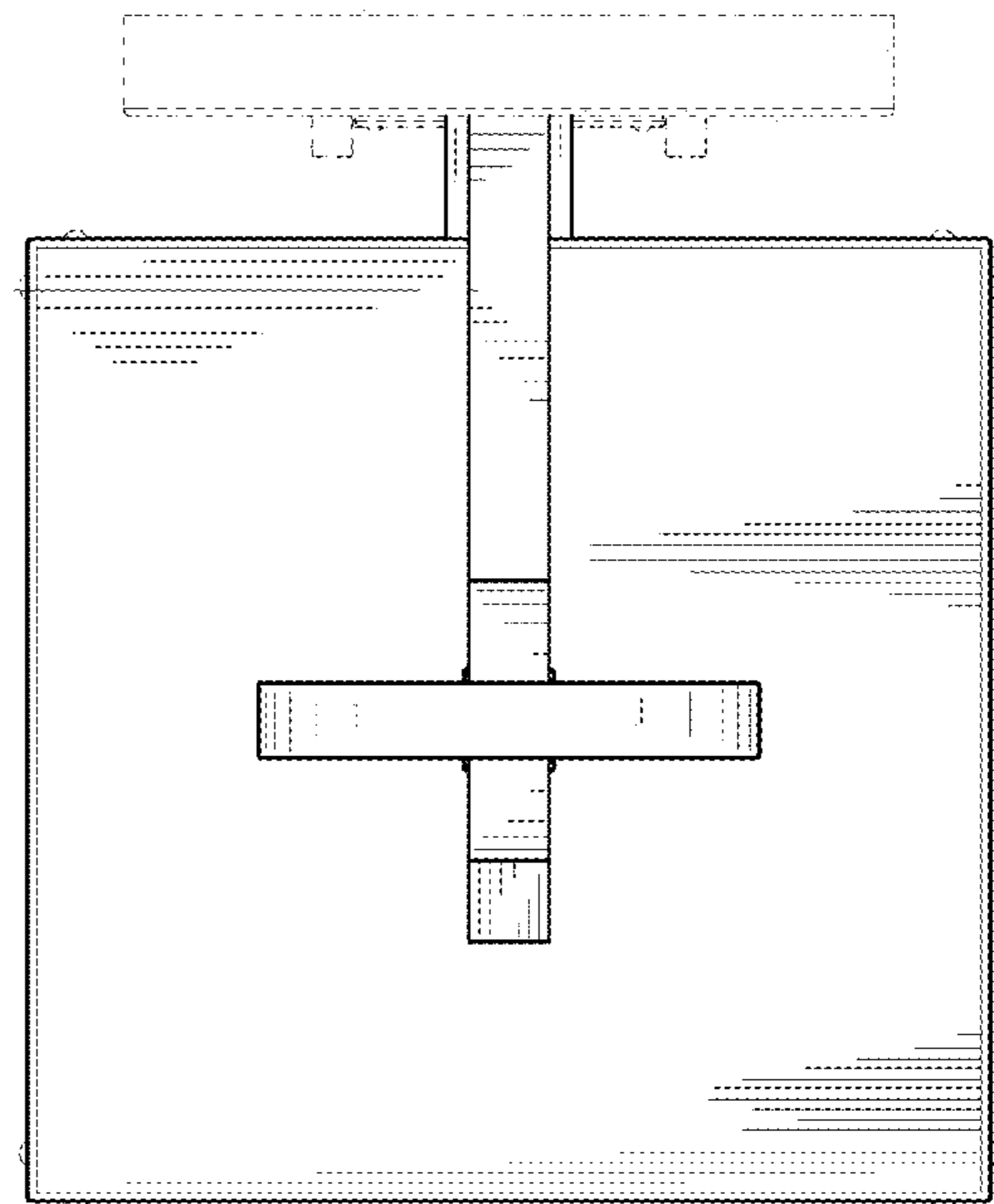


Fig. 20

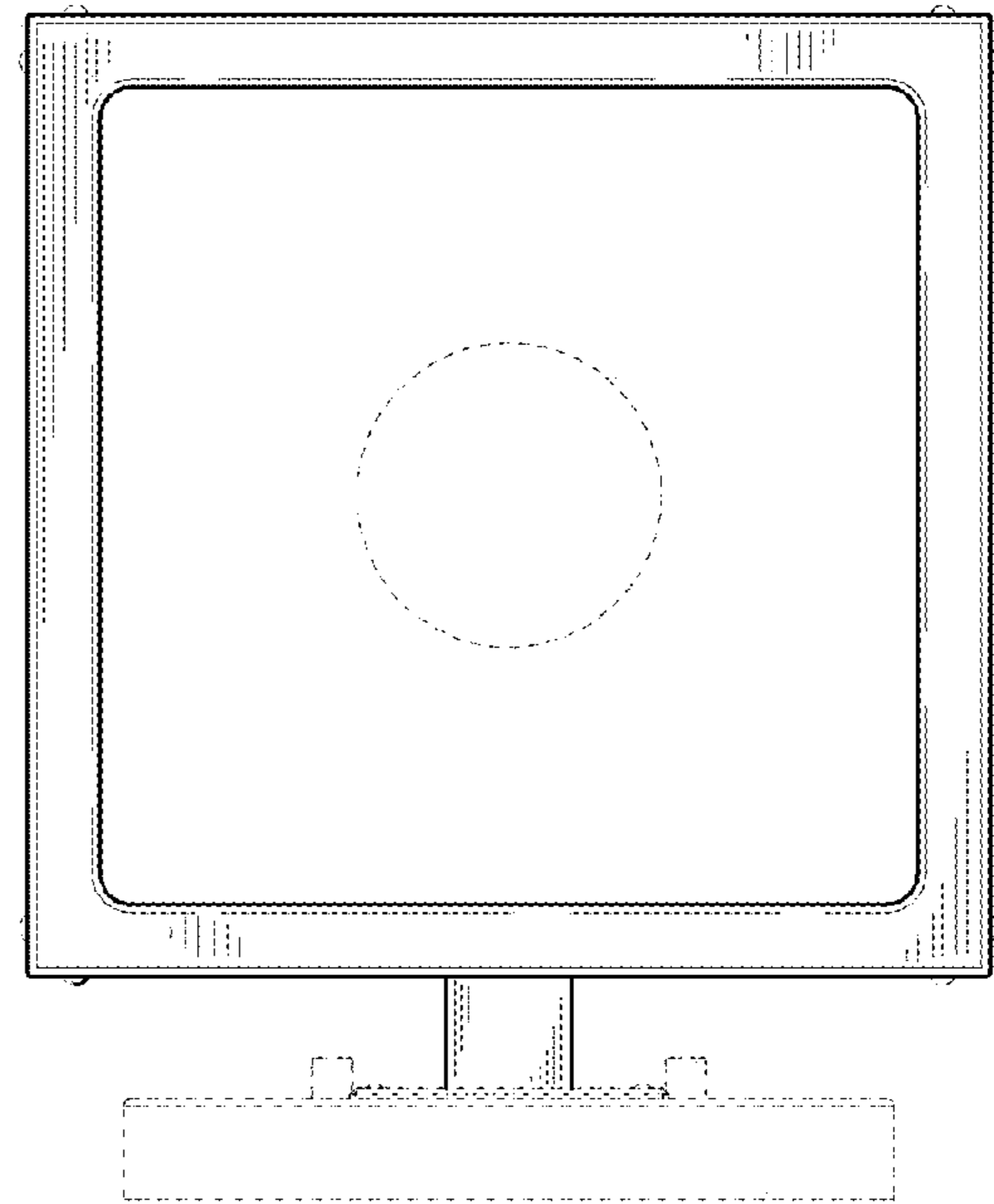


Fig. 21