



US00D892382S

(12) **United States Design Patent** (10) **Patent No.:** **US D892,382 S**
Morgan (45) **Date of Patent:** **** Aug. 4, 2020**

(54) **LUMINAIRES**

(71) Applicant: **David Morgan**, London (GB)

(72) Inventor: **David Morgan**, London (GB)

(**) Term: **15 Years**

(21) Appl. No.: **35/505,828**

(22) Filed: **Sep. 17, 2018**

(80) **Hague Agreement Data**

Int. Filing Date: **Sep. 17, 2018**

Int. Reg. No.: **DM/102943**

Int. Reg. Date: **Sep. 17, 2018**

Int. Reg. Pub. Date: **Oct. 5, 2018**

(30) **Foreign Application Priority Data**

- Mar. 18, 2016 (EM) 004762250-0002
- Mar. 16, 2018 (EM) 004762250-0001
- Mar. 16, 2018 (EM) 004762250-0005
- Mar. 16, 2018 (EM) 004762250-0006
- Mar. 16, 2018 (EM) 004762250-0007
- Mar. 16, 2018 (EM) 004762250-0008
- Mar. 16, 2018 (EM) 0047622250-0003
- Mar. 18, 2018 (EM) 004762250-0004

(51) **LOC (12) Cl.** **26-05**

(52) **U.S. Cl.**
USPC **D26/85**

(58) **Field of Classification Search**

USPC D26/76, 78, 79, 80, 81, 82, 83, 85-90,
D26/93, 111, 113, 118, 119, 120, 121,
D26/122, 138, 139, 140, 141, 142, 152
CPC F21S 2/00; F21S 4/00; F21S 4/003; F21S
4/005; F21S 4/006; F21S 4/007; F21S
4/008; F21S 6/00; F21S 8/00; F21S
8/024; F21S 8/026; F21S 8/031; F21S
8/033; F21S 8/035-037; F21S 8/04; F21S
8/043; F21S 8/063

See application file for complete search history.

(56) **References Cited**

U.S. PATENT DOCUMENTS

D403,097 S *	12/1998	Littman	D26/76
D465,298 S *	11/2002	Gottwald	D26/85
D493,565 S *	7/2004	Smith	D26/118
D503,822 S *	4/2005	Monroe	D26/85
D545,478 S *	6/2007	Morgan	D26/85
D569,028 S *	5/2008	Sandell	D26/85
D570,533 S *	6/2008	Morgan	D26/138
D592,784 S *	5/2009	van den Dool	D26/75
D599,666 S *	9/2009	Marotti	D9/454
D688,406 S *	8/2013	Goldy	D26/85
D698,072 S *	1/2014	Messisaen	D26/85
D714,990 S *	10/2014	Yu	D26/85
D715,477 S *	10/2014	Yu	D26/85
D731,694 S *	6/2015	Tomlinson	D26/128
D757,329 S *	5/2016	Sieczkowski	D26/89
D760,939 S *	7/2016	Hoang	D26/85
D796,730 S *	9/2017	Sonneman	D26/118
D797,354 S *	9/2017	Sonneman	D26/118

(Continued)

Primary Examiner — Natasha Vujcic
(74) *Attorney, Agent, or Firm* — Stites & Harbison,
PLLC; David W. Nagle, Jr.; James R. Hayne

(57) **CLAIM**

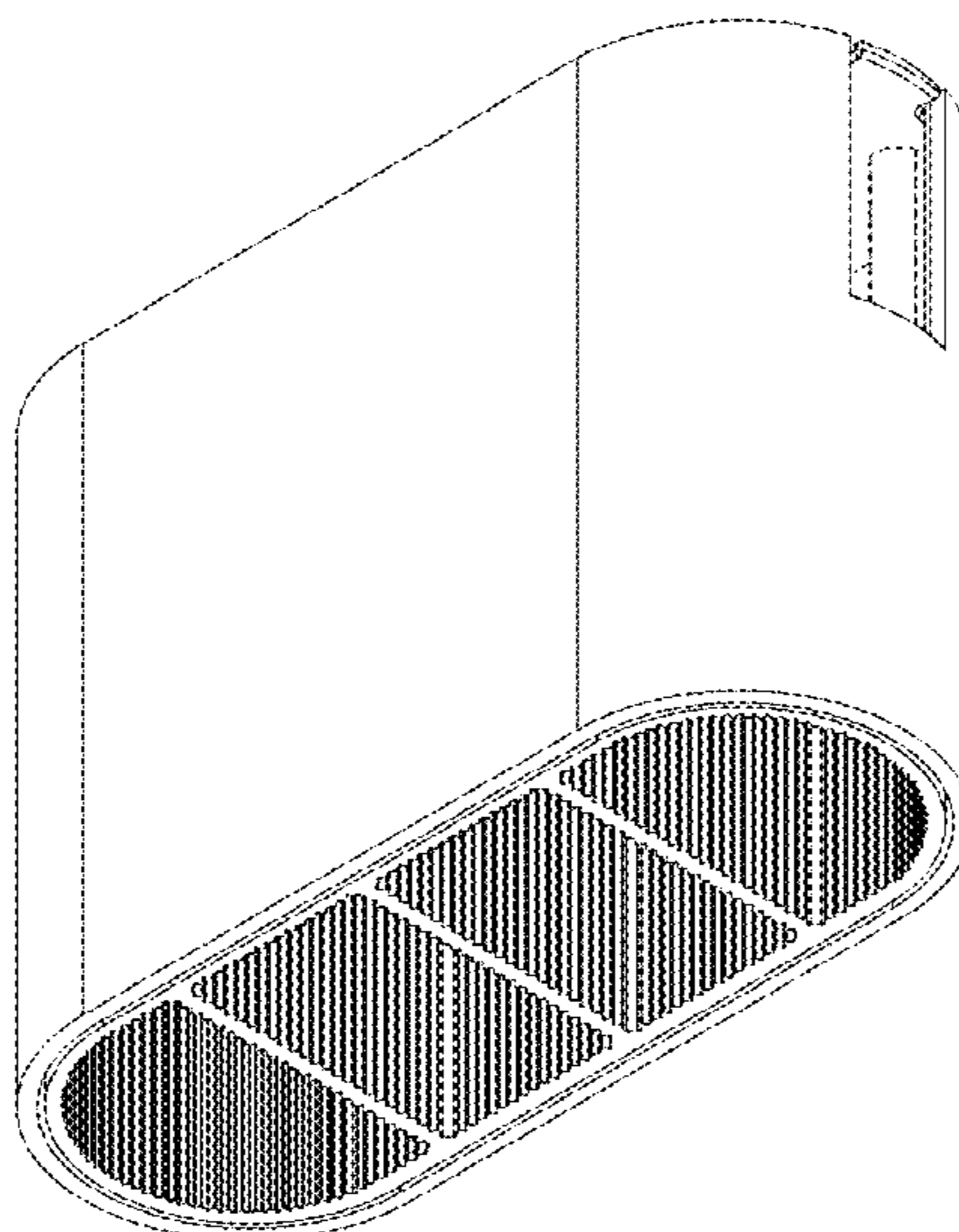
The ornamental design for luminaires, as shown and described.

DESCRIPTION

- 1.1 : Perspective
- 1.2 : Perspective
- 1.3 : Perspective
- 1.4 : Bottom
- 3.1 : Perspective;
- 3.2 : Perspective;
- 3.3 : Perspective;
- 3.4 : Bottom;

The broken lines in the drawings depict portions of the luminaires that form no part of the claimed design.

1 Claim, 8 Drawing Sheets



(56)

References Cited

U.S. PATENT DOCUMENTS

D819,259 S * 5/2018 McTaggart D26/118
D821,628 S * 6/2018 Amato D26/87
D843,639 S * 3/2019 Ahrari D26/118

* cited by examiner

FIG. 1.1

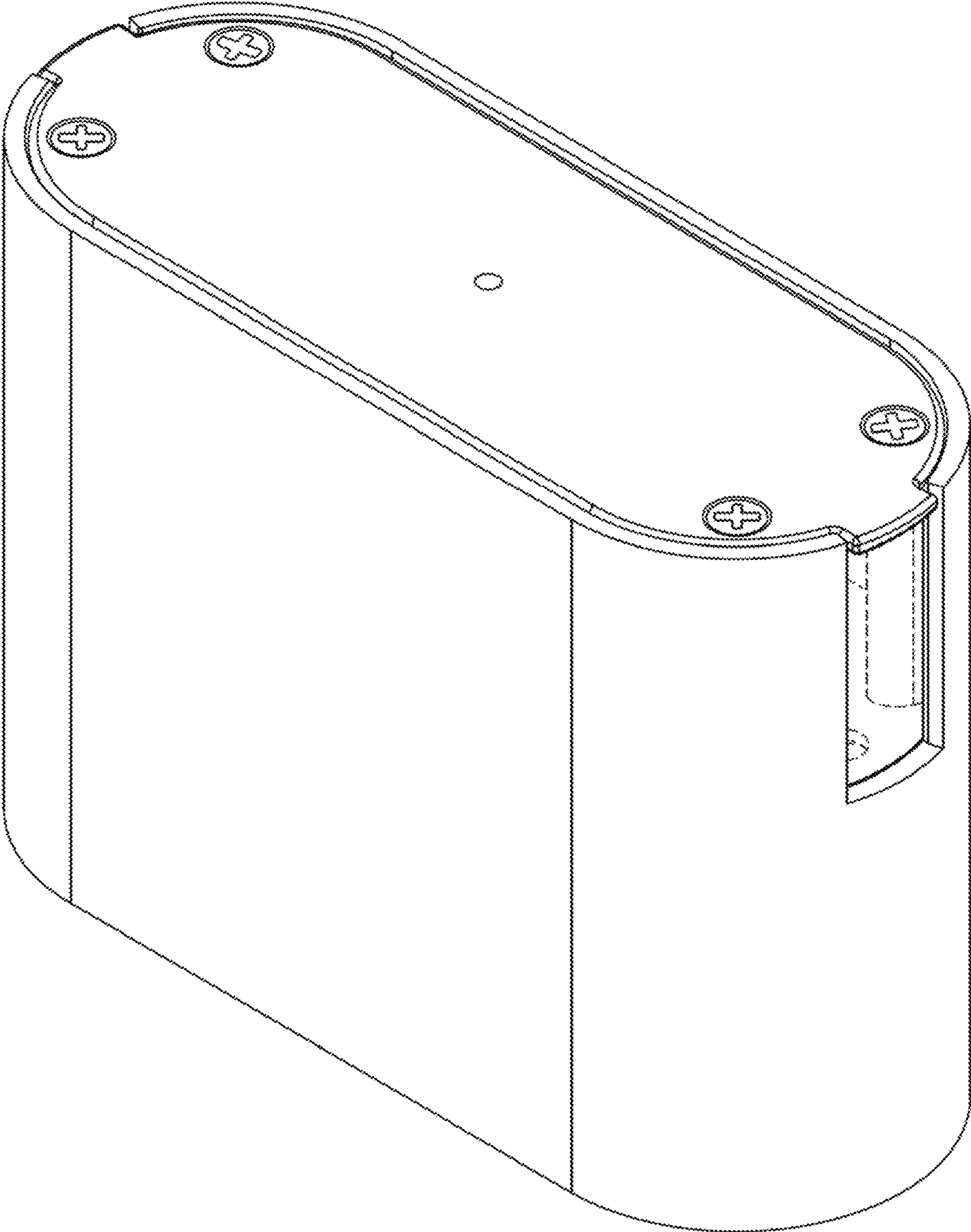


FIG. 1.2

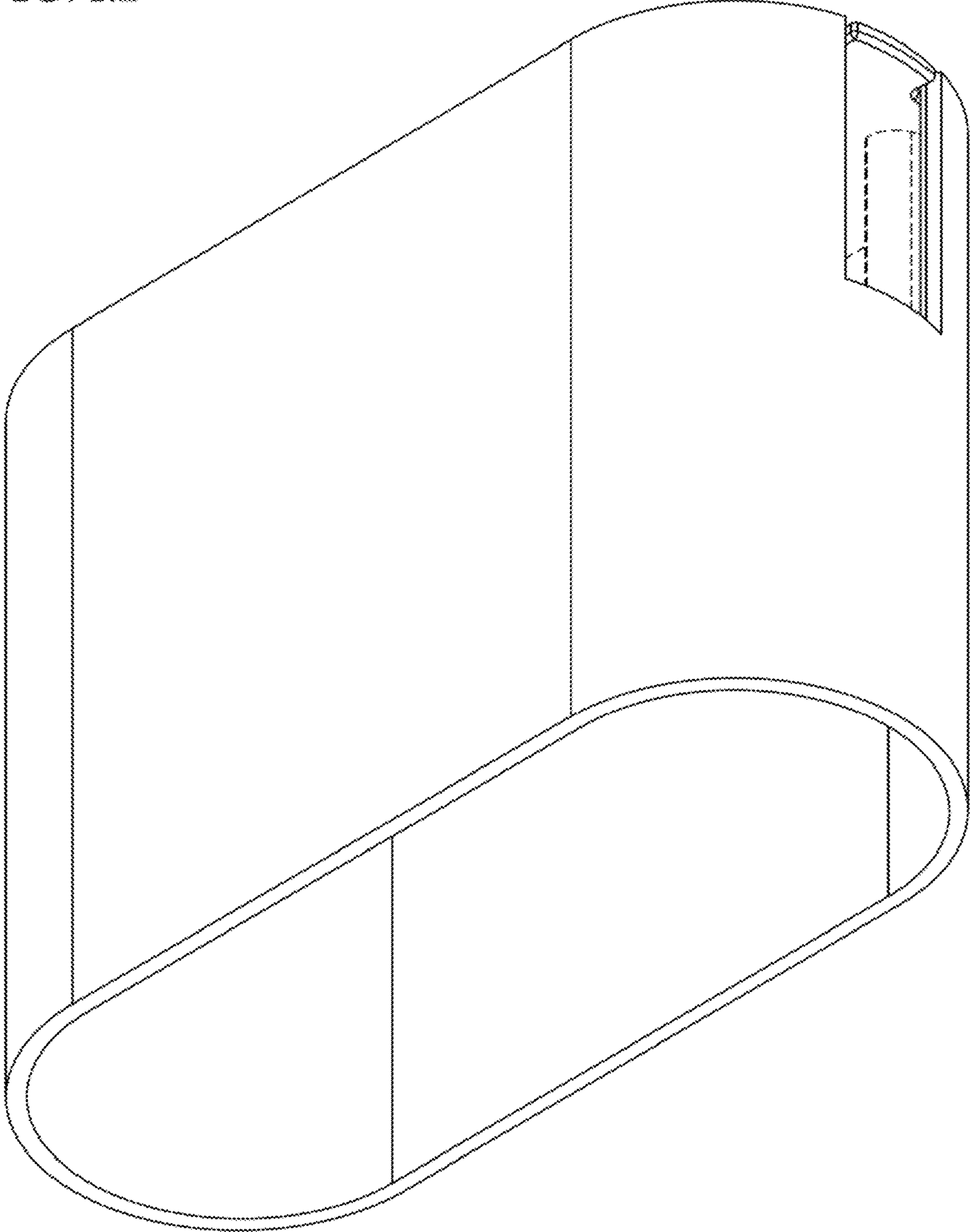


FIG. 1.3

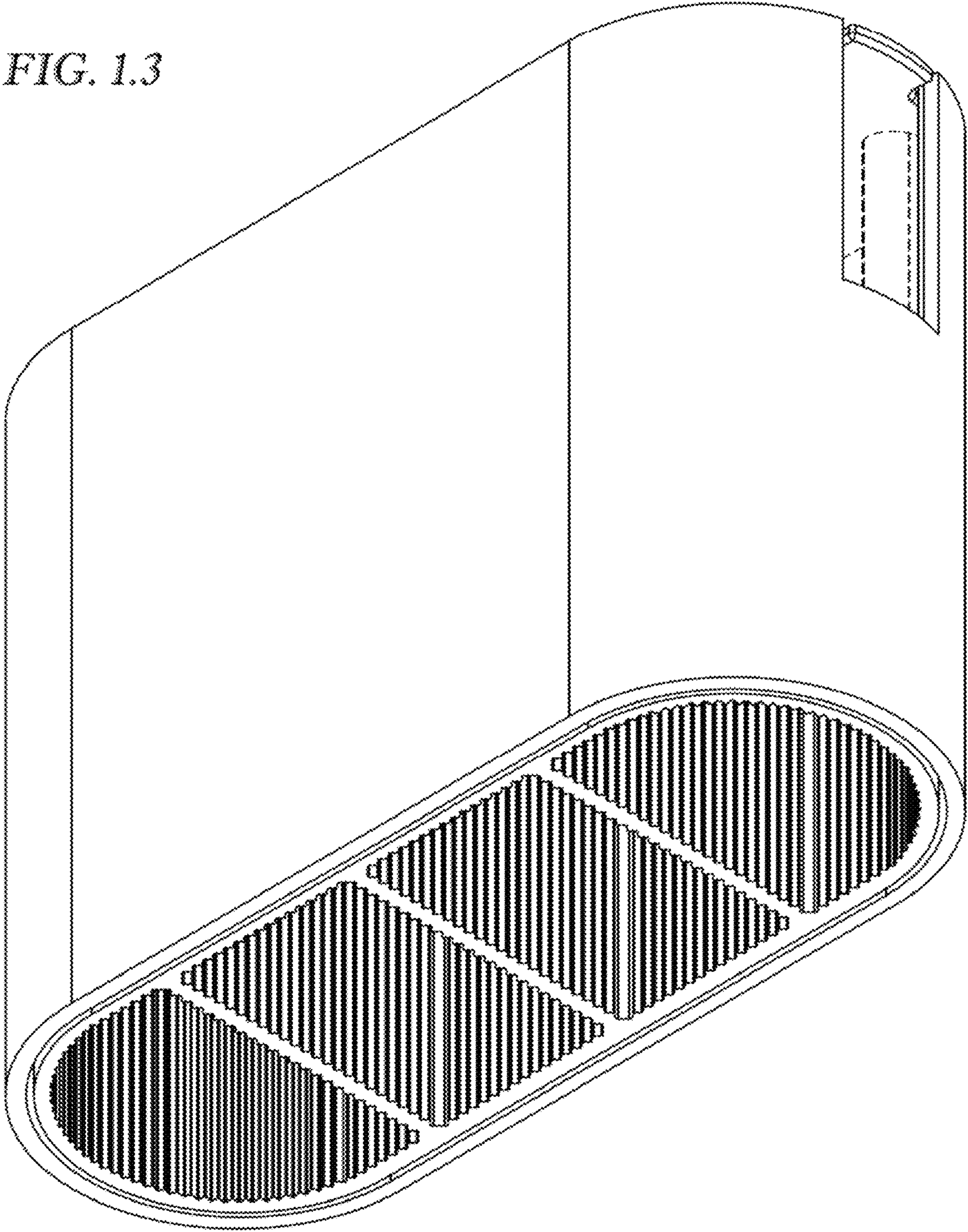


FIG. 14

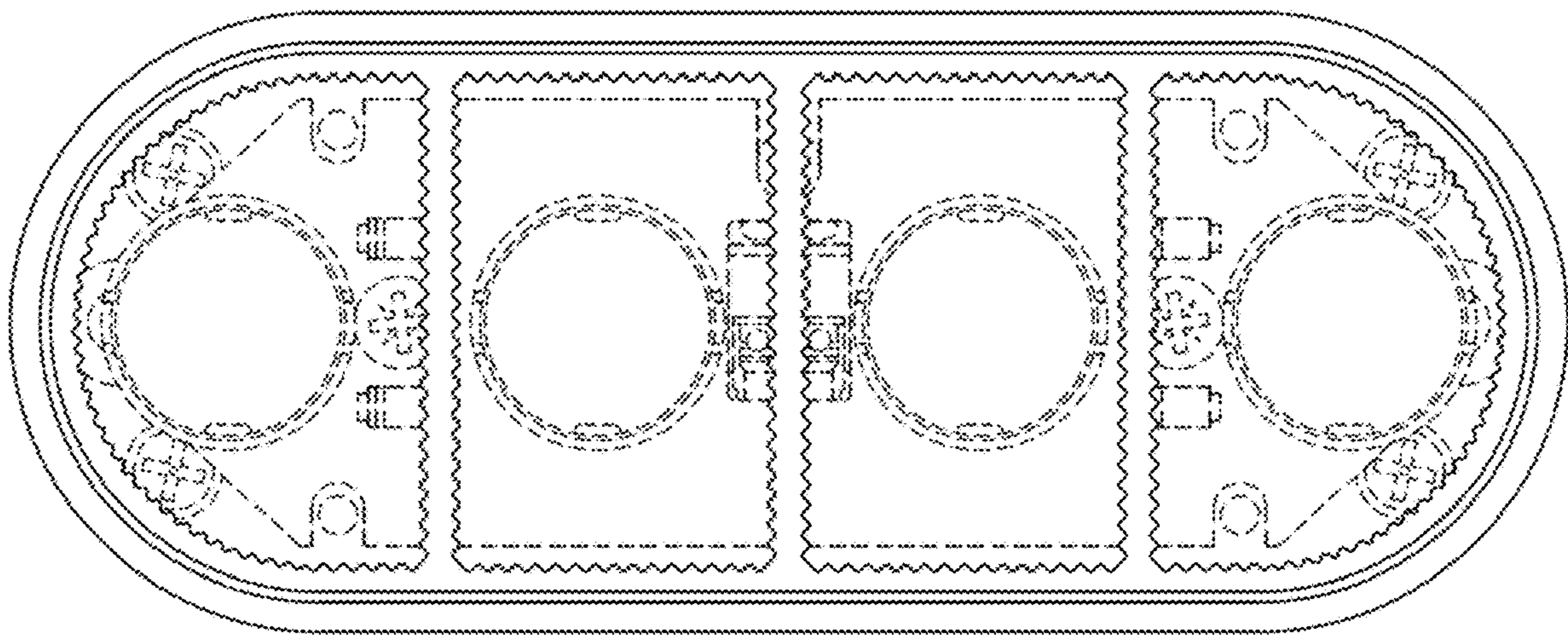


FIG. 3.1

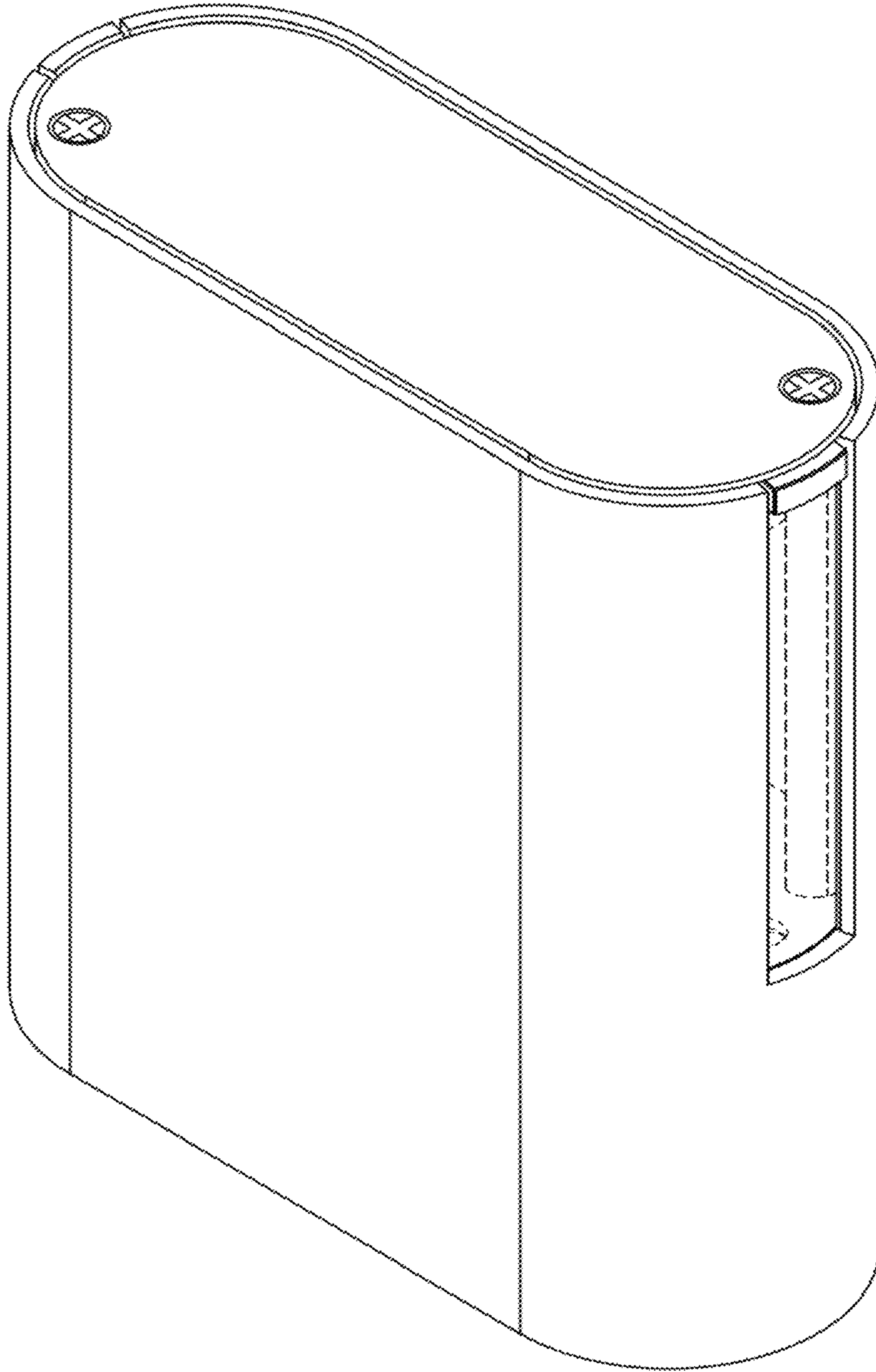


FIG. 3.2

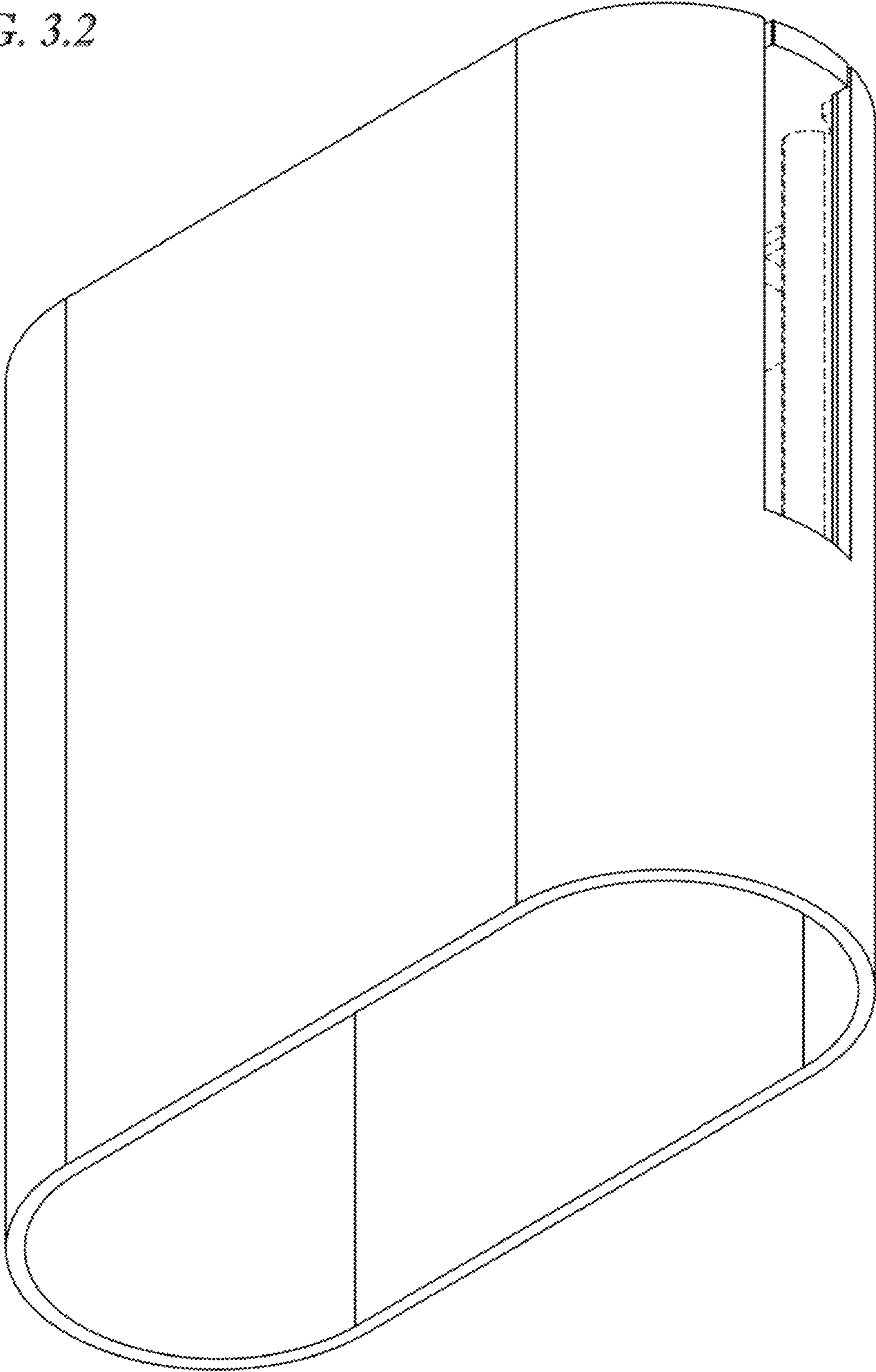


FIG. 3.3

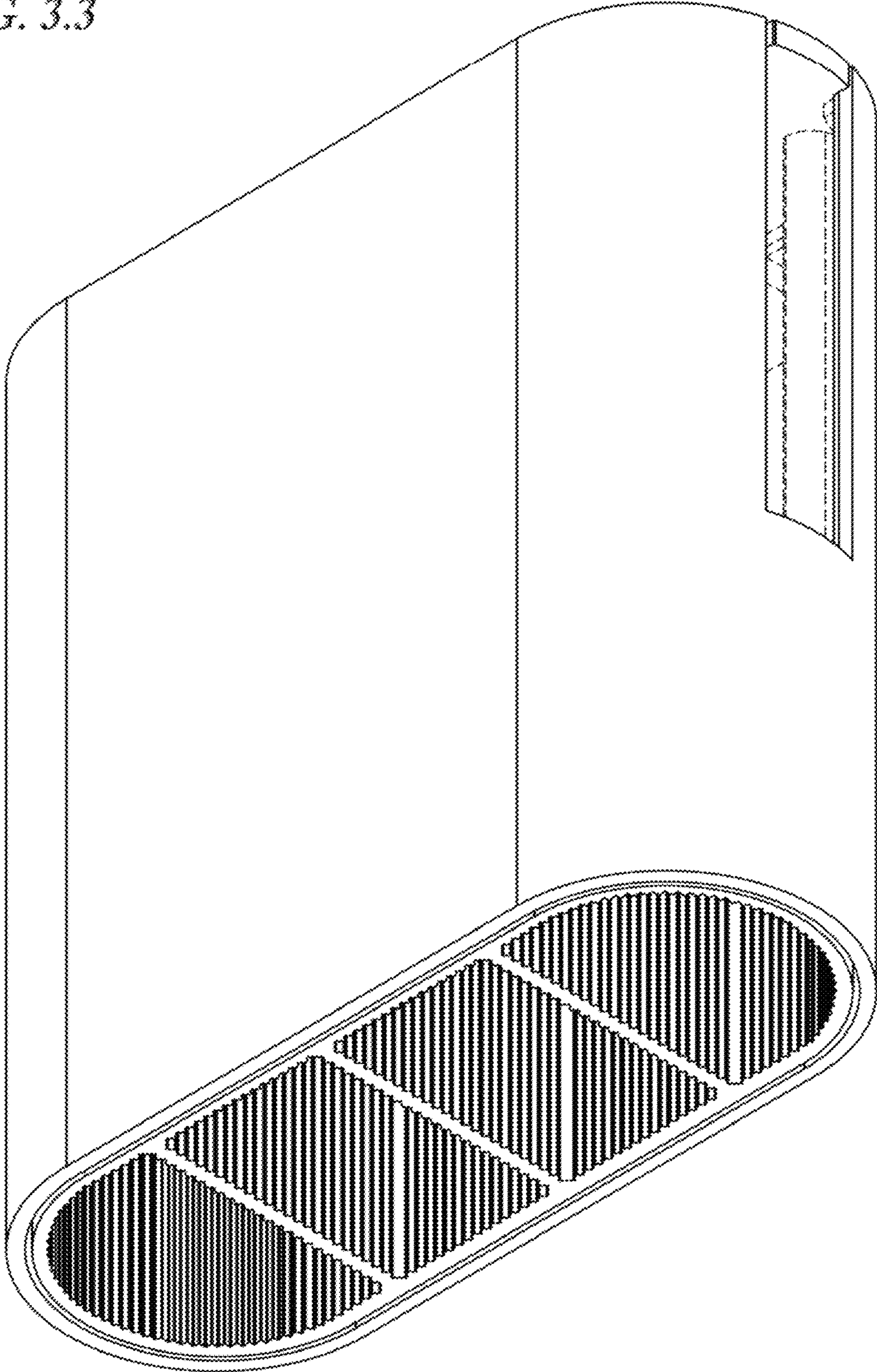


FIG. 3.4

