



US00D892380S

(12) **United States Design Patent**
Yan

(10) **Patent No.:** **US D892,380 S**

(45) **Date of Patent:** **** Aug. 4, 2020**

(54) **SOLAR LIGHT**

(71) Applicant: **Wei Yan**, Ningbo (CN)

(72) Inventor: **Wei Yan**, Ningbo (CN)

(**) Term: **15 Years**

(21) Appl. No.: **29/723,799**

(22) Filed: **Feb. 11, 2020**

(51) **LOC (12) Cl.** **26-03**

(52) **U.S. Cl.**
USPC **D26/65**

(58) **Field of Classification Search**

USPC D26/24, 51, 61, 63, 65, 72, 80
CPC F21S 8/04; F21S 8/00; F21V 21/00; F21V
17/02; F21V 14/02; F21V 21/30; F21V
21/14; F21V 21/26; F21W 2131/10

See application file for complete search history.

(56) **References Cited**

U.S. PATENT DOCUMENTS

5,649,761 A * 7/1997 Sandell F21V 17/02
362/276
D392,065 S * 3/1998 Morrow D10/106.1
D742,053 S * 10/2015 Sussman D26/63

D805,672 S 12/2017 Dai
D850,701 S 6/2019 Zhuo
D878,656 S * 3/2020 Recker D26/63
D882,848 S * 4/2020 Zhang D26/63
D887,060 S * 6/2020 Wang D26/63

* cited by examiner

Primary Examiner — Brian N. Vinson

(57) **CLAIM**

The ornamental design for a solar light, as shown and described.

DESCRIPTION

FIG. 1 is a perspective view of a solar light showing my new design;

FIG. 2 is another perspective view thereof;

FIG. 3 is a front elevational view thereof;

FIG. 4 is a rear elevational view thereof;

FIG. 5 is a left side elevational view thereof;

FIG. 6 is a right side elevational view thereof;

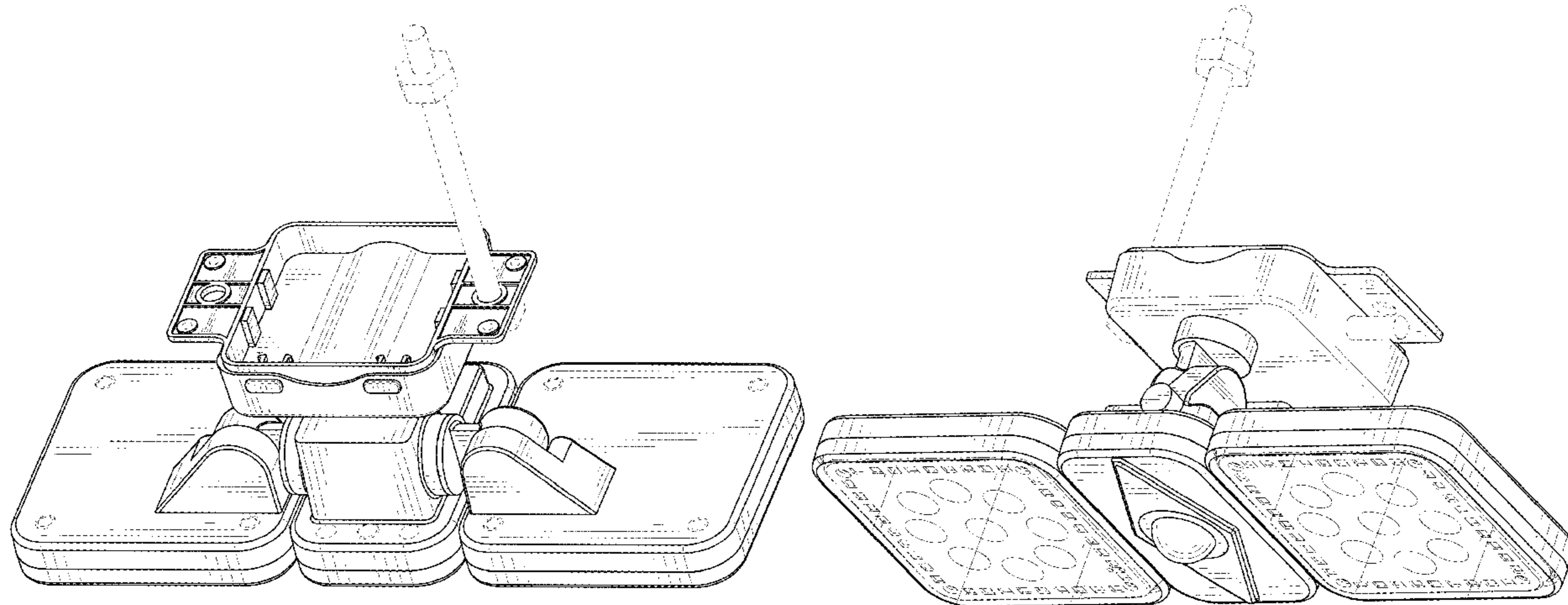
FIG. 7 is a top plan view thereof;

FIG. 8 is a bottom plan view thereof; and,

FIG. 9 is an exploded view thereof.

The broken lines in the drawings depict portions of the solar light that form no part of the claimed design.

1 Claim, 9 Drawing Sheets



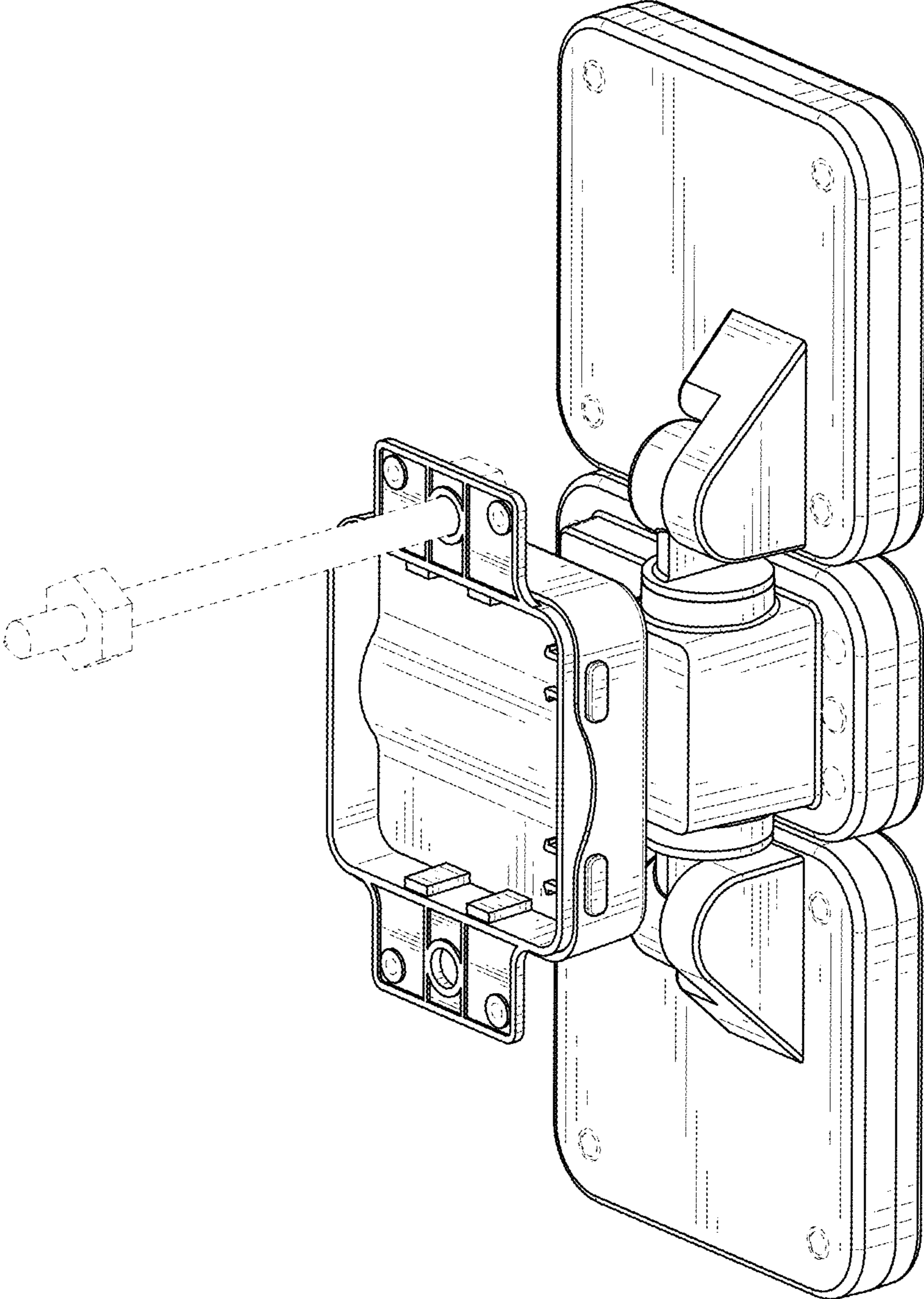


FIG. 1

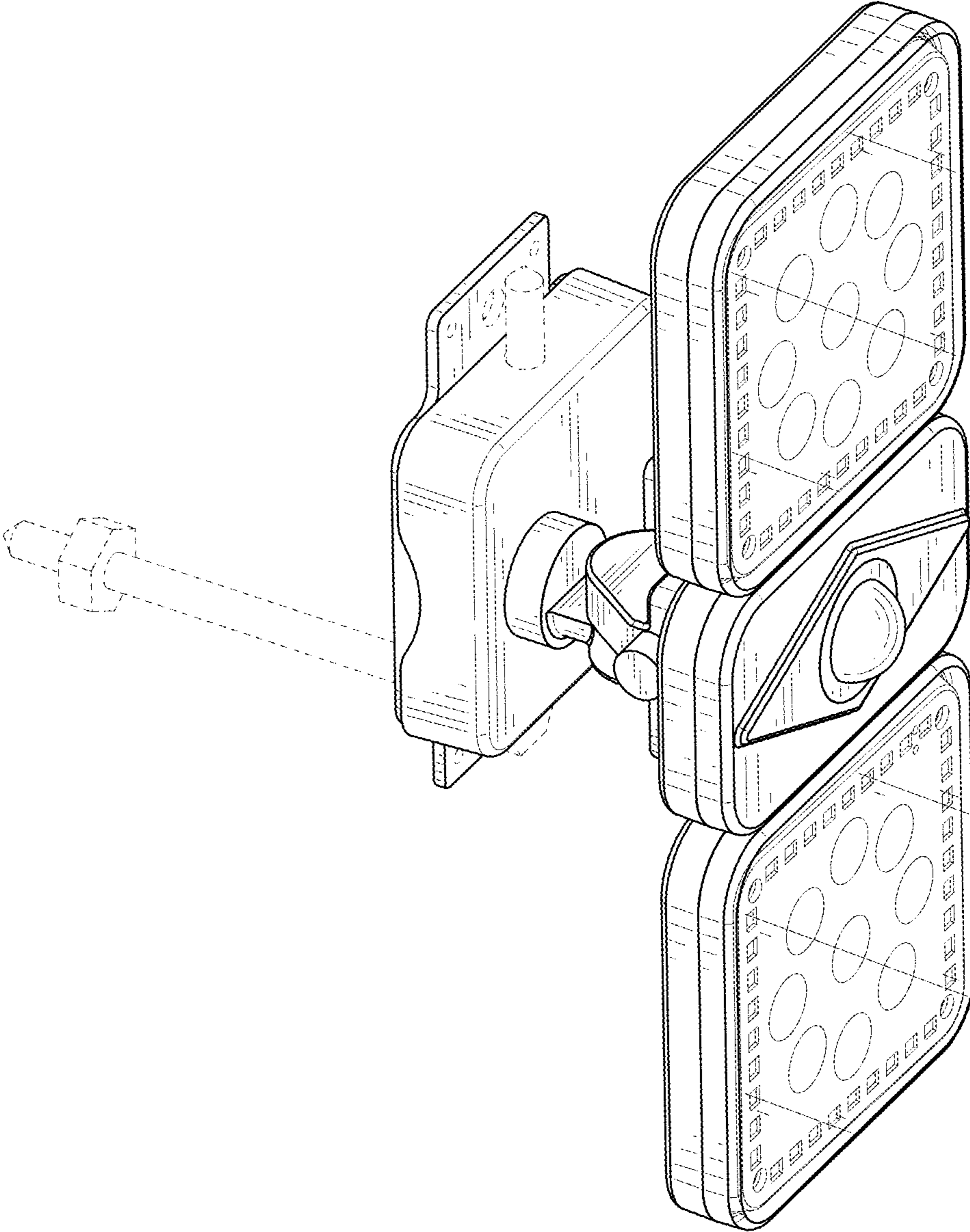


FIG. 2

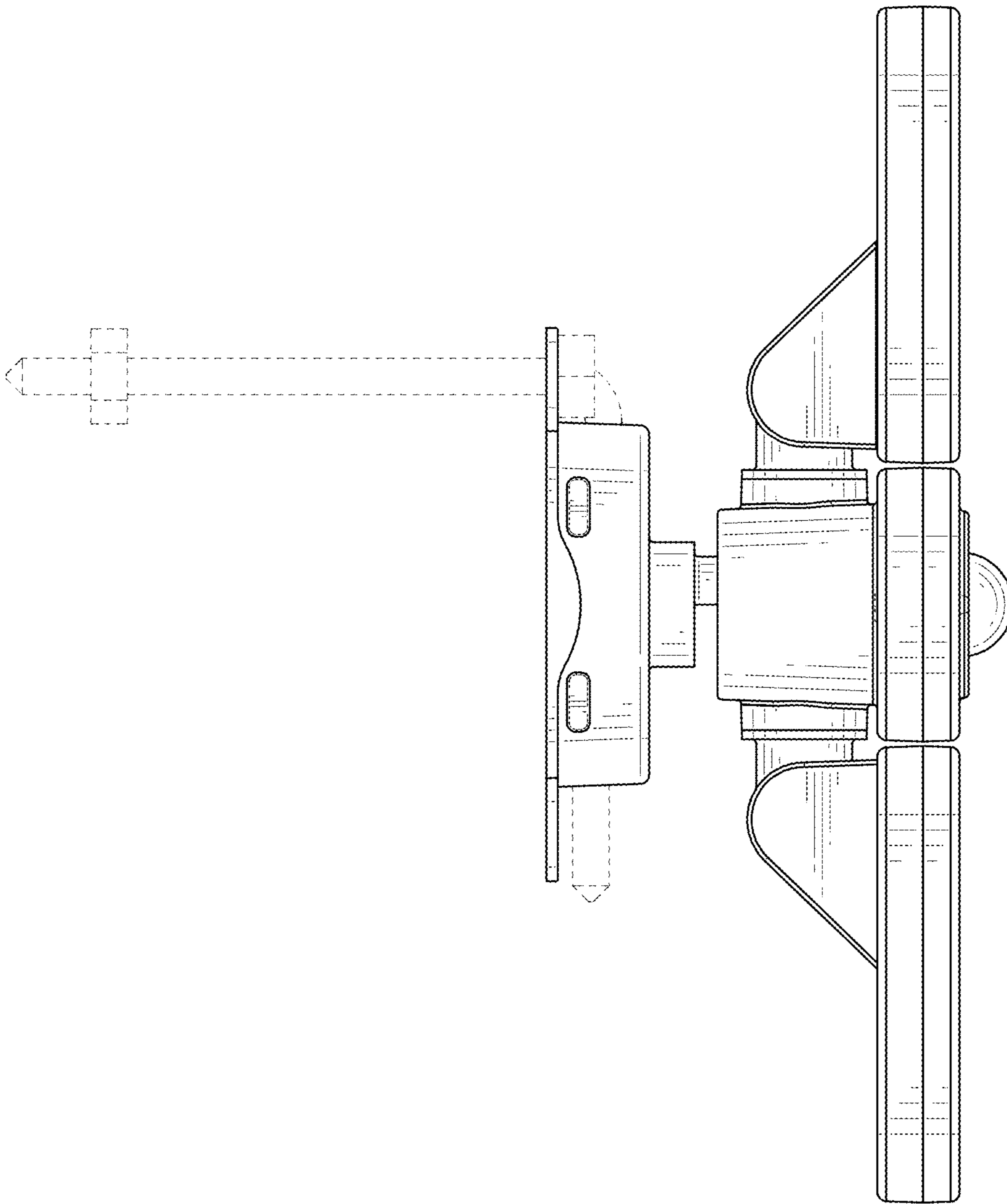


FIG. 3

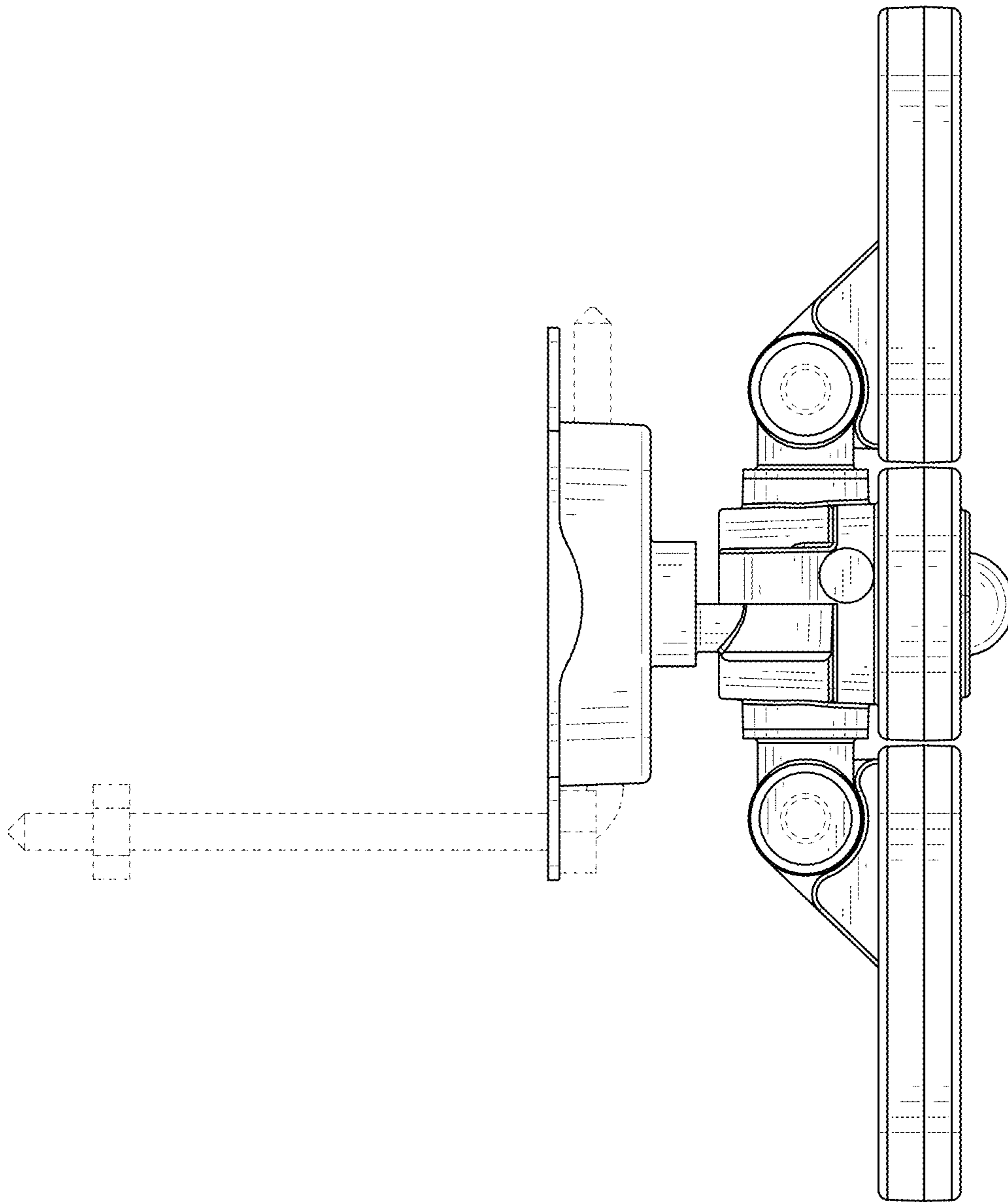


FIG. 4

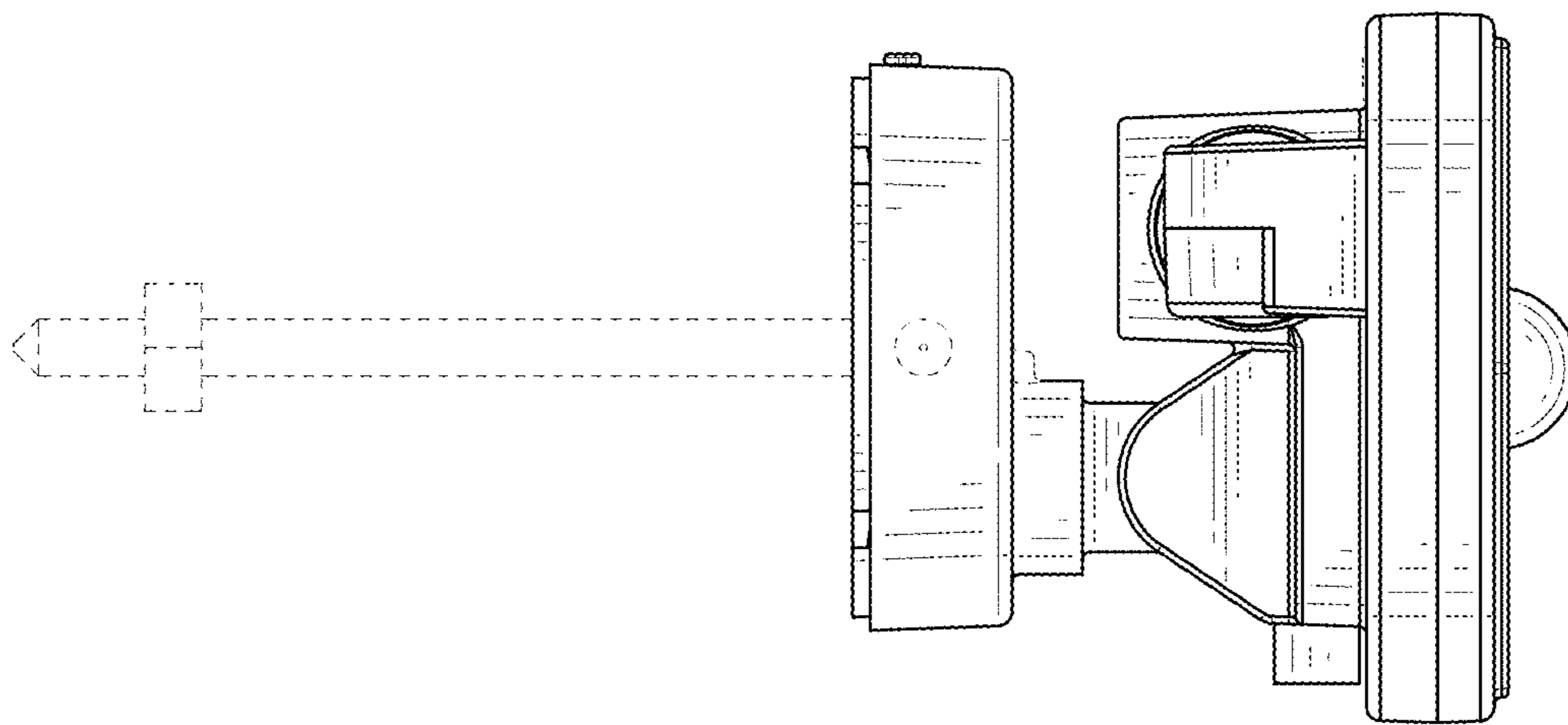


FIG. 5

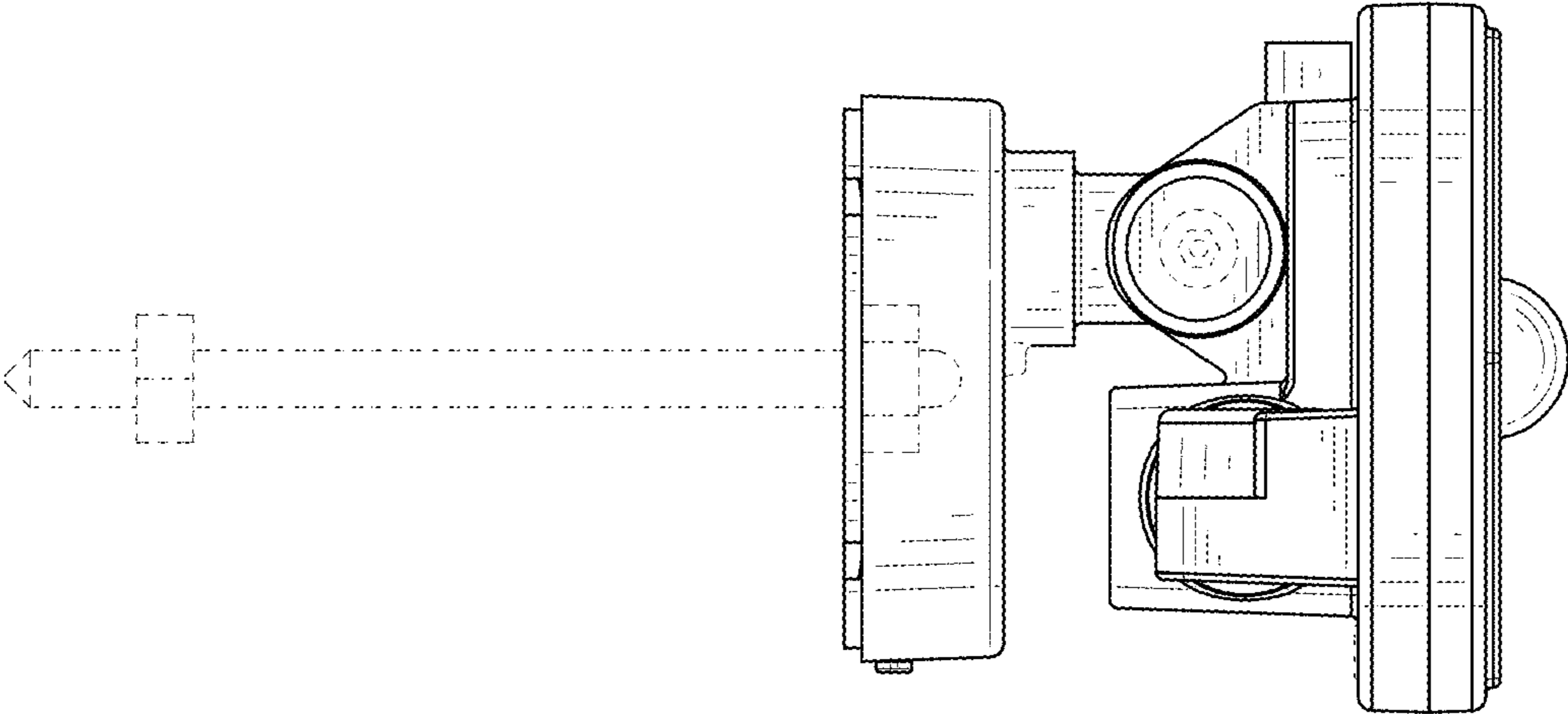


FIG. 6

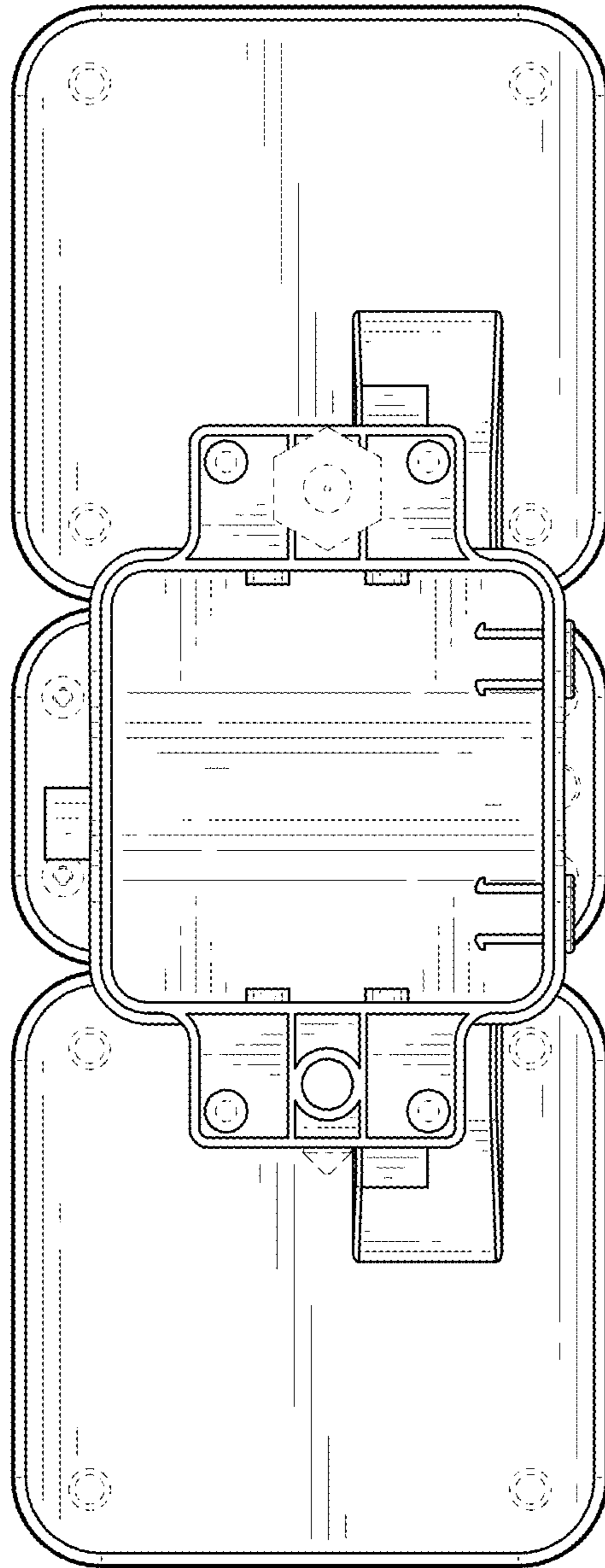


FIG. 7

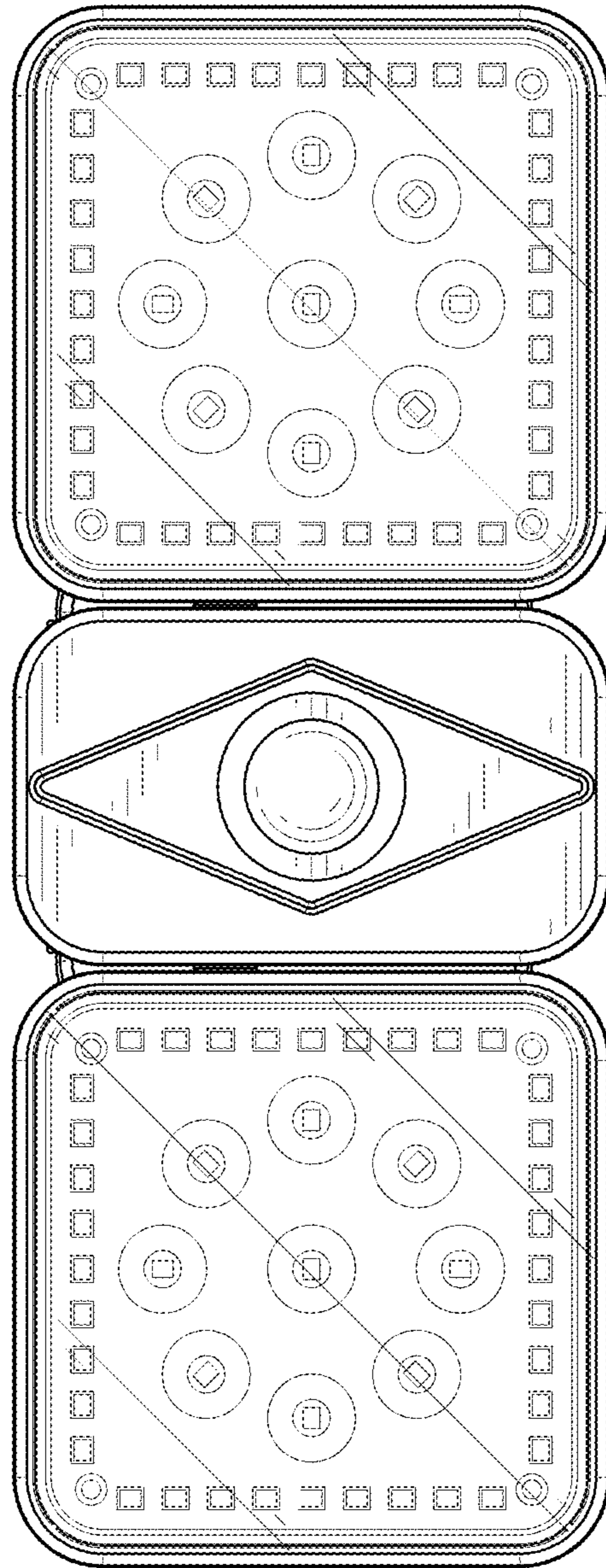


FIG. 8

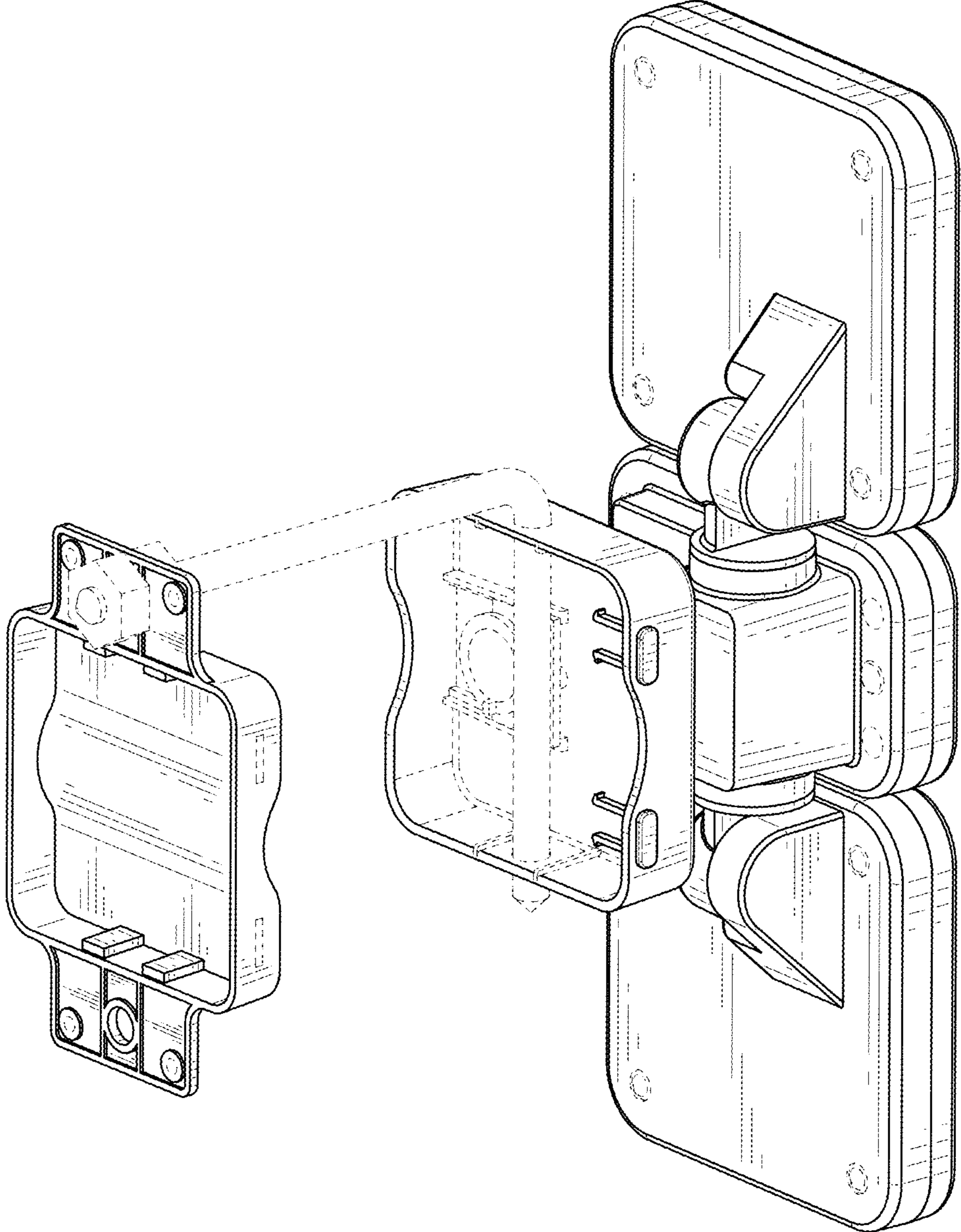


FIG. 9