

US00D892379S

(12) **United States Design Patent** (10) **Patent No.:** **US D892,379 S**
Recker et al. (45) **Date of Patent:** **** Aug. 4, 2020**

(54) **FLOOD LIGHT**

D392,065 S 3/1998 Morrow et al.
D441,113 S * 4/2001 Small D26/63
D713,579 S * 9/2014 Chen D26/63
(Continued)

(71) Applicant: **Amazon Technologies, Inc.**, Seattle, WA (US)

(72) Inventors: **Michael V. Recker**, Gaithersburg, MD (US); **David B. Levine**, Pepper Pike, OH (US); **Ryan D. Hruska**, North Royalton, OH (US); **Christopher Loew**, Palo Alto, CA (US)

FOREIGN PATENT DOCUMENTS

JP D1385931 4/2010
TW 098792 4/1988
(Continued)

(73) Assignee: **Amazon Technologies, Inc.**, Seattle, WA (US)

OTHER PUBLICATIONS

Korean Office Action dated Apr. 17, 2019 for Korean Patent Application No. 30-2018-31146, a counterpart of U.S. Appl. No. 29/632,480, 2 pages.

(**) Term: **15 Years**

(Continued)

(21) Appl. No.: **29/711,871**

(22) Filed: **Nov. 4, 2019**

Primary Examiner — Brian N. Vinson
(74) *Attorney, Agent, or Firm* — Lee & Hayes, P.C.

Related U.S. Application Data

(63) Continuation of application No. 29/632,480, filed on Jan. 8, 2018, now Pat. No. Des. 869,038.

(57) **CLAIM**

(51) **LOC (12) Cl.** **26-03**

The ornamental design for a flood light, as shown and described.

(52) **U.S. Cl.**
USPC **D26/63**

DESCRIPTION

(58) **Field of Classification Search**
USPC D26/24, 51, 61, 63, 65, 72, 80
CPC F21S 8/04; F21S 8/00; F21V 21/00; F21V 17/02; F21V 14/02; F21V 21/30; F21V 21/14; F21V 21/26; F21W 2131/10
See application file for complete search history.

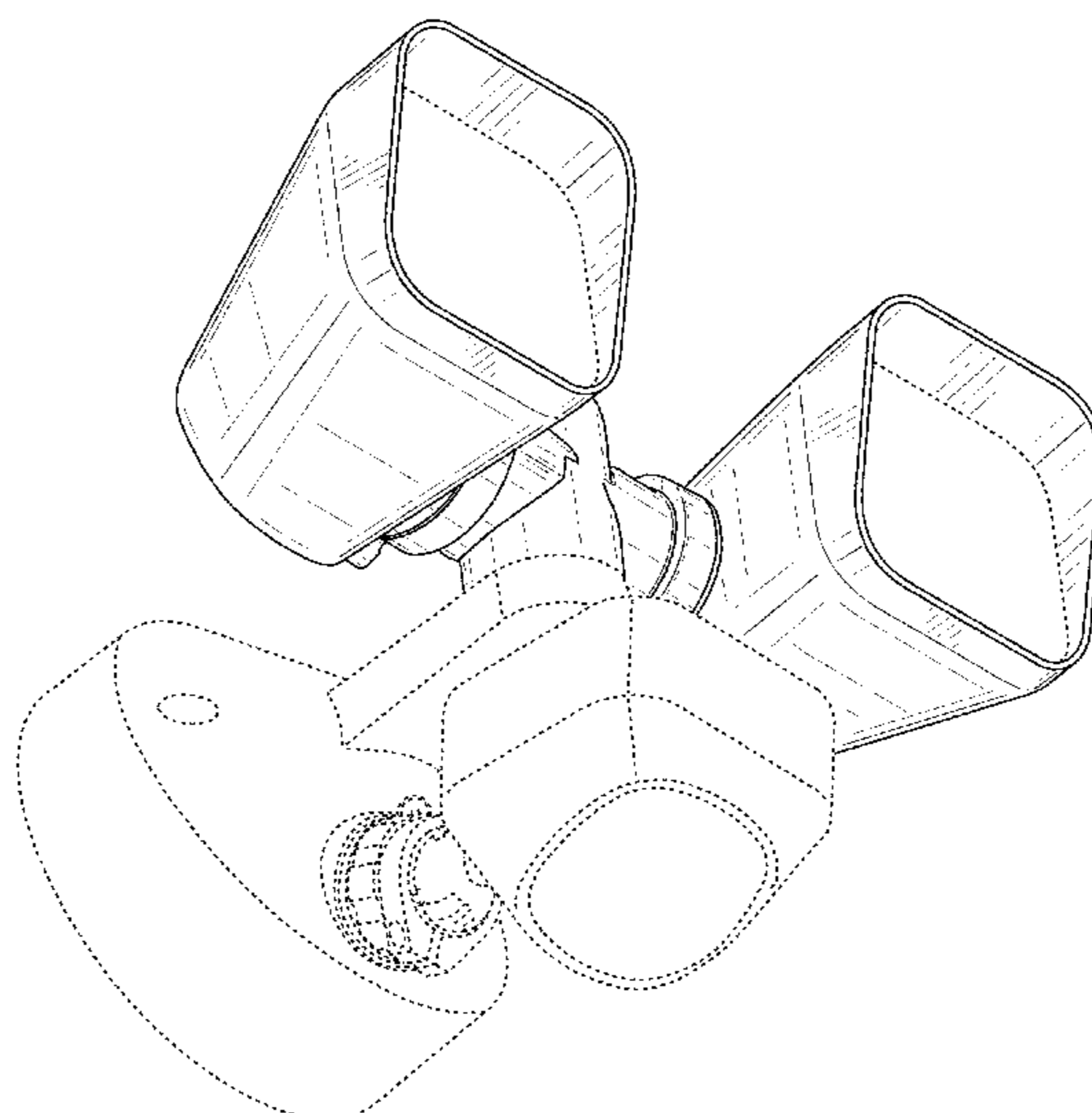
FIG. 1 is a front, left, bottom perspective view of a flood light showing our new design;
FIG. 2 is a back, right, top perspective view;
FIG. 3 is a front, right, top perspective view thereof;
FIG. 4 is a back, left, bottom perspective view thereof;
FIG. 5 is a front elevation view thereof;
FIG. 6 is a back elevation view thereof;
FIG. 7 is a left side view thereof;
FIG. 8 is a right side view thereof;
FIG. 9 is a top plan view thereof; and,
FIG. 10 is a bottom plan view thereof.
The broken lines depict portions of the flood light that form no part of the claimed design.

(56) **References Cited**

U.S. PATENT DOCUMENTS

5,258,899 A * 11/1993 Chen F21V 17/02
362/394
5,381,323 A * 1/1995 Osteen F21V 17/02
340/567
D361,149 S * 8/1995 Wedell D26/63
5,649,761 A * 7/1997 Sandell F21V 17/02
362/276

1 Claim, 10 Drawing Sheets



(56)

References Cited

U.S. PATENT DOCUMENTS

D713,581 S * 9/2014 Chen D26/63
D713,582 S * 9/2014 Liang D26/63
D742,053 S * 10/2015 Sussman D26/63
D745,201 S * 12/2015 Lee D26/63
D765,901 S * 9/2016 Chen D26/63
D769,499 S 10/2016 Gough
D774,231 S * 12/2016 Recker D26/63
D782,094 S 3/2017 Fletcher et al.

FOREIGN PATENT DOCUMENTS

TW D188095 1/2018
TW D198513 7/2019

OTHER PUBLICATIONS

Taiwanese Search Report dated Mar. 4, 2019 for Taiwanese Patent Application No. 107303875, 1 pages.

Taiwanese Office Action dated Apr. 24, 2020 for Taiwanese Patent Application No. 108305376, a counterpart of U.S. Pat. No. D. 878,656, 3 pages.

Taiwanese Office Action dated Apr. 24, 2020 for Taiwanese Patent Application No. 108305375, a counterpart of U.S. Pat. No. D. 878,656, 3 pages.

* cited by examiner

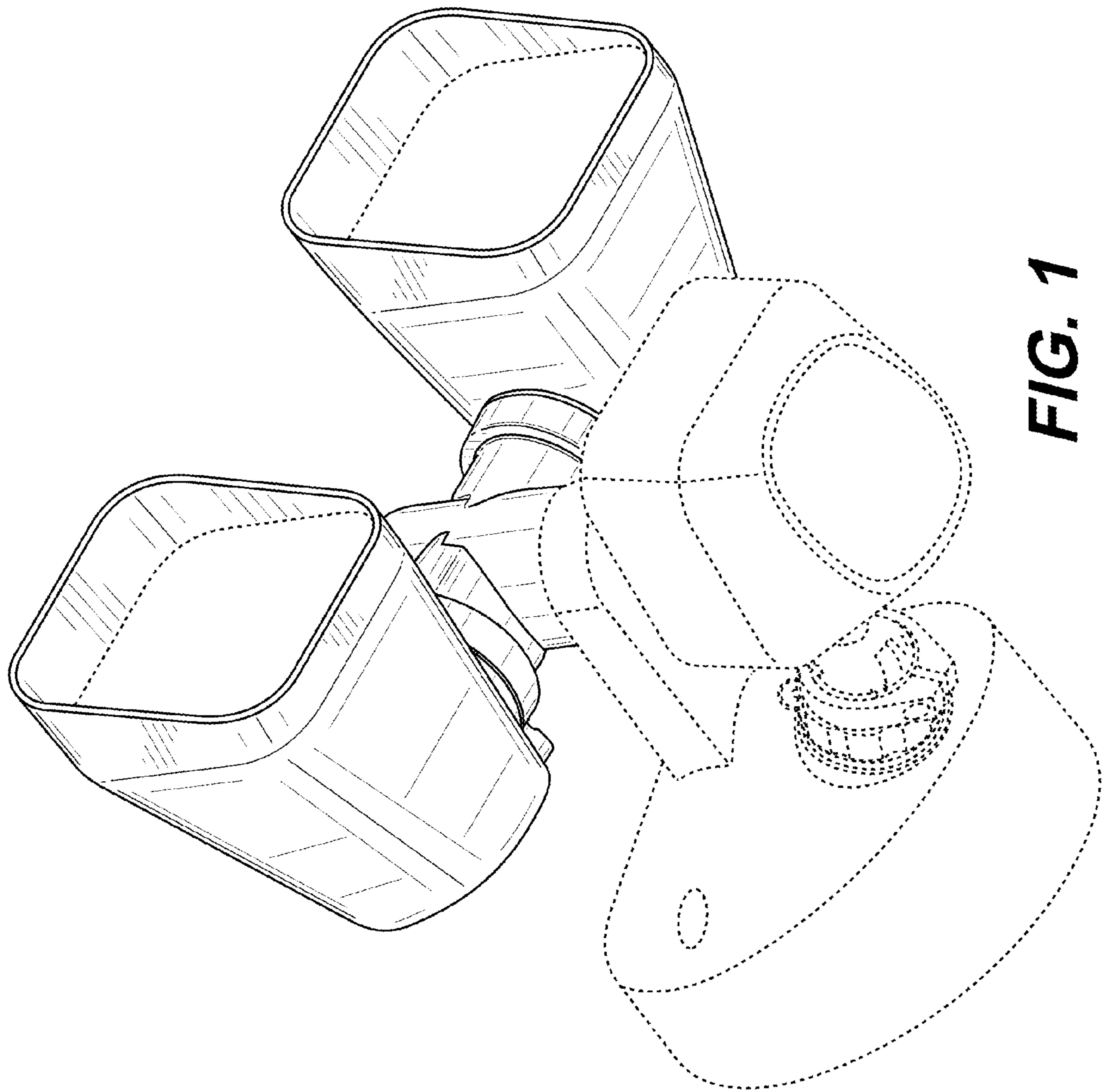


FIG. 1

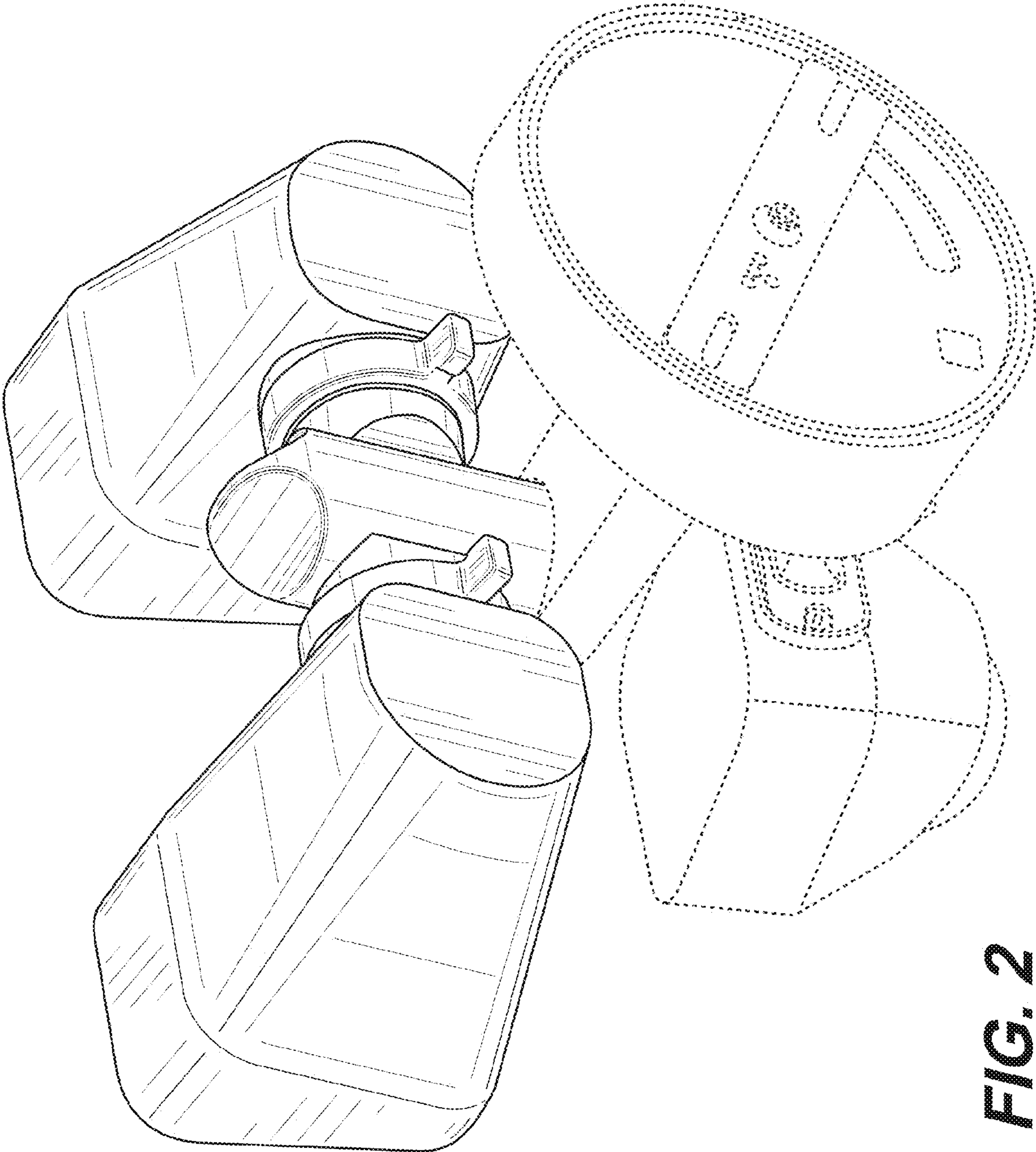


FIG. 2

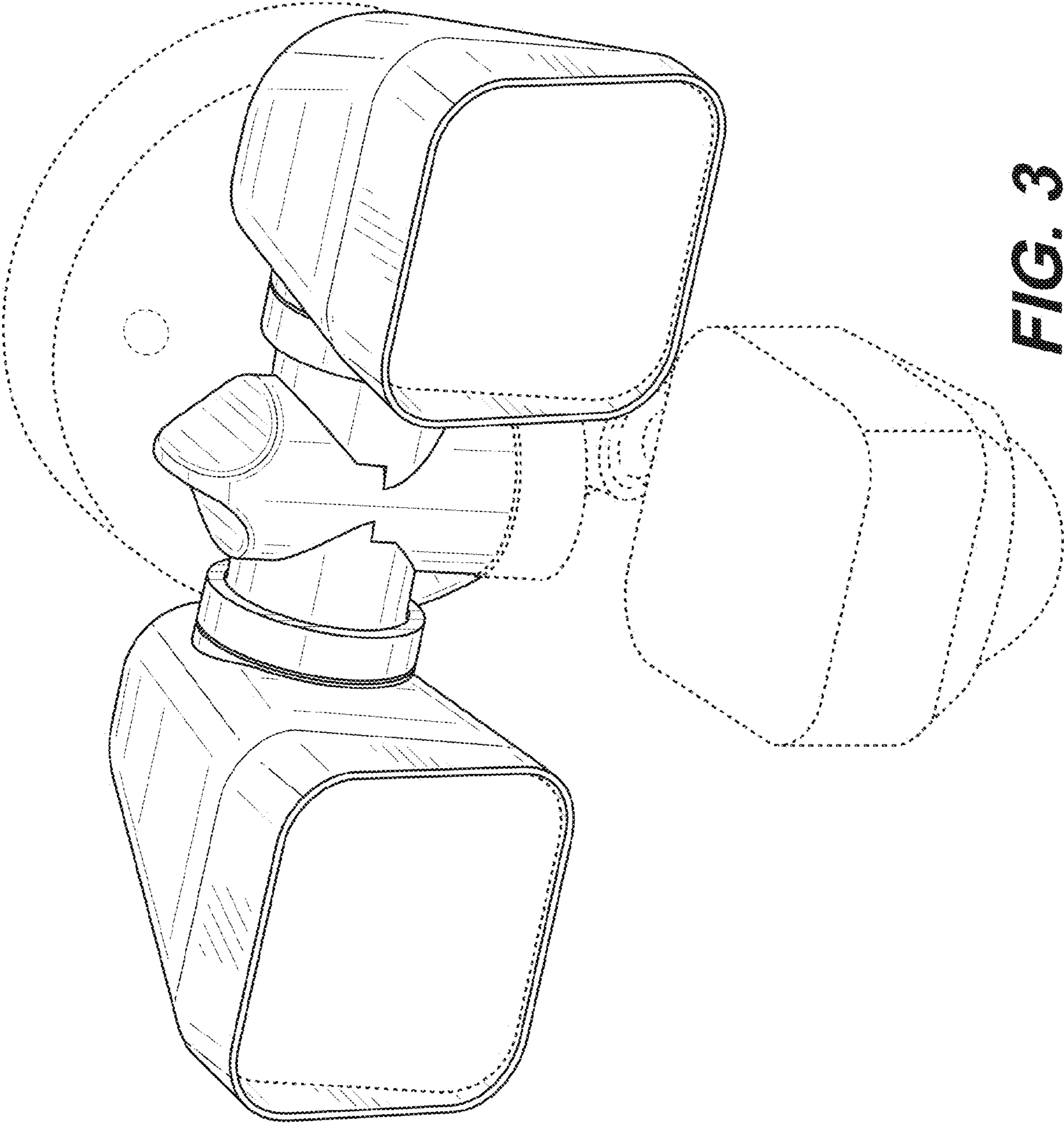


FIG. 3

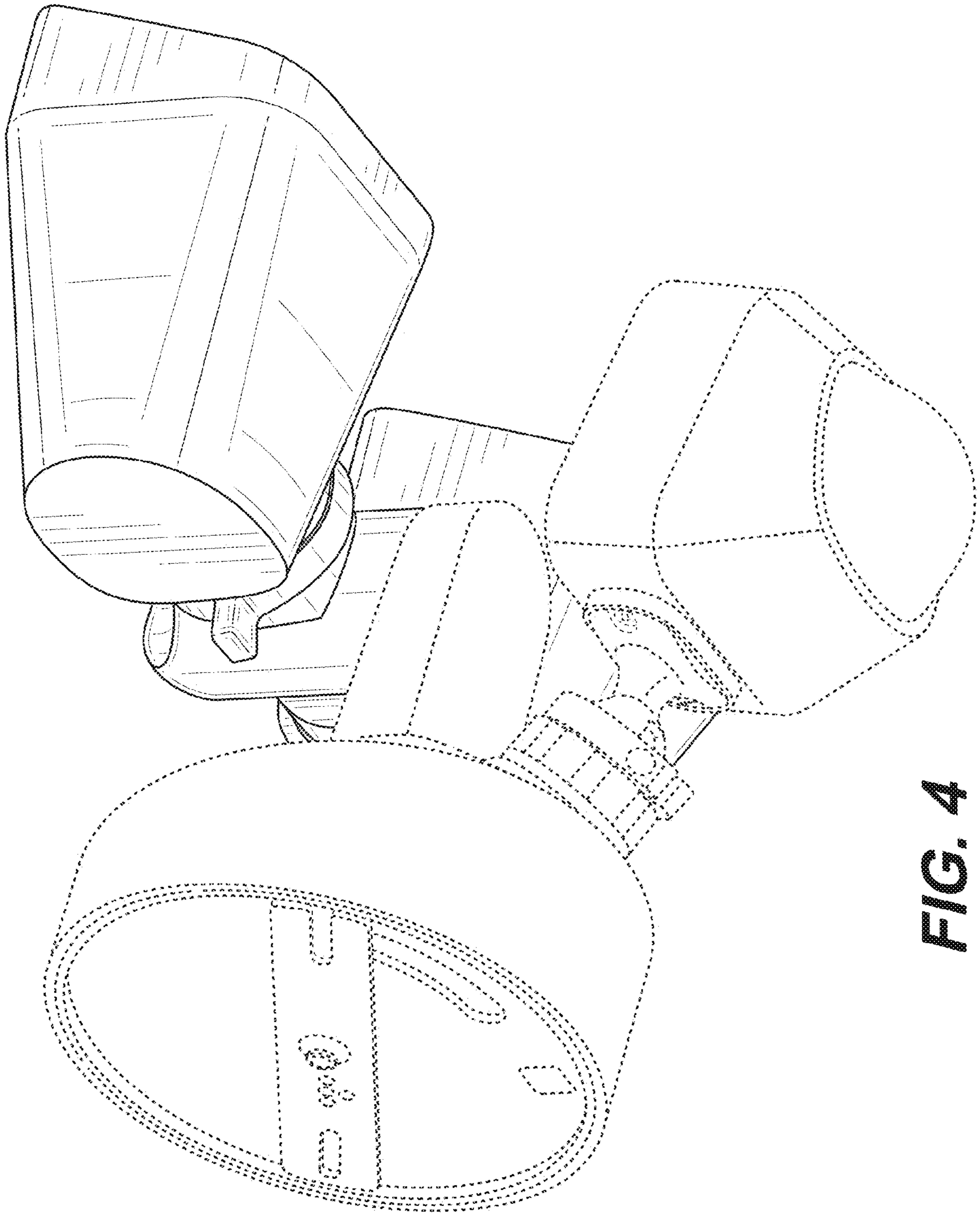


FIG. 4

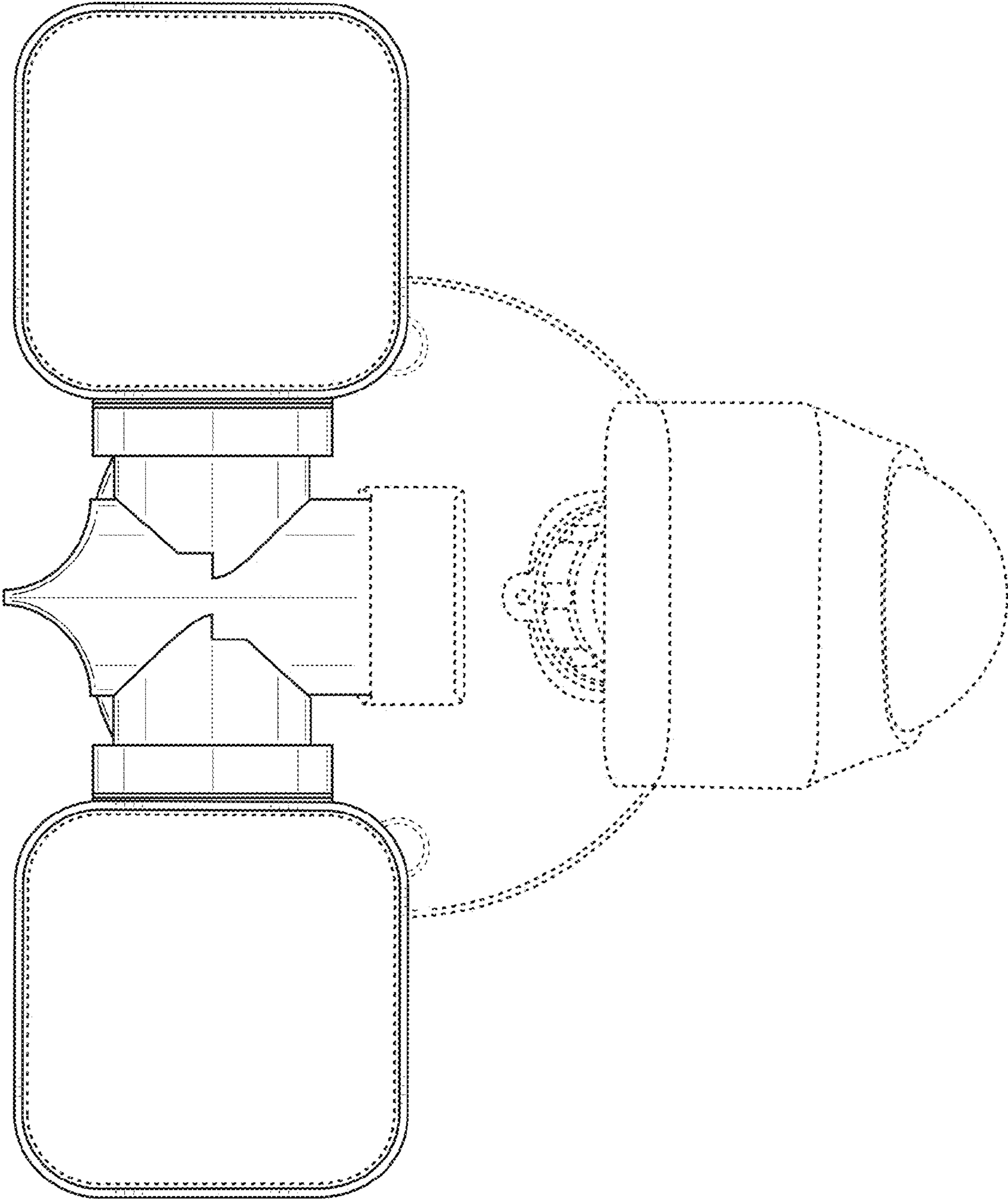


FIG. 5

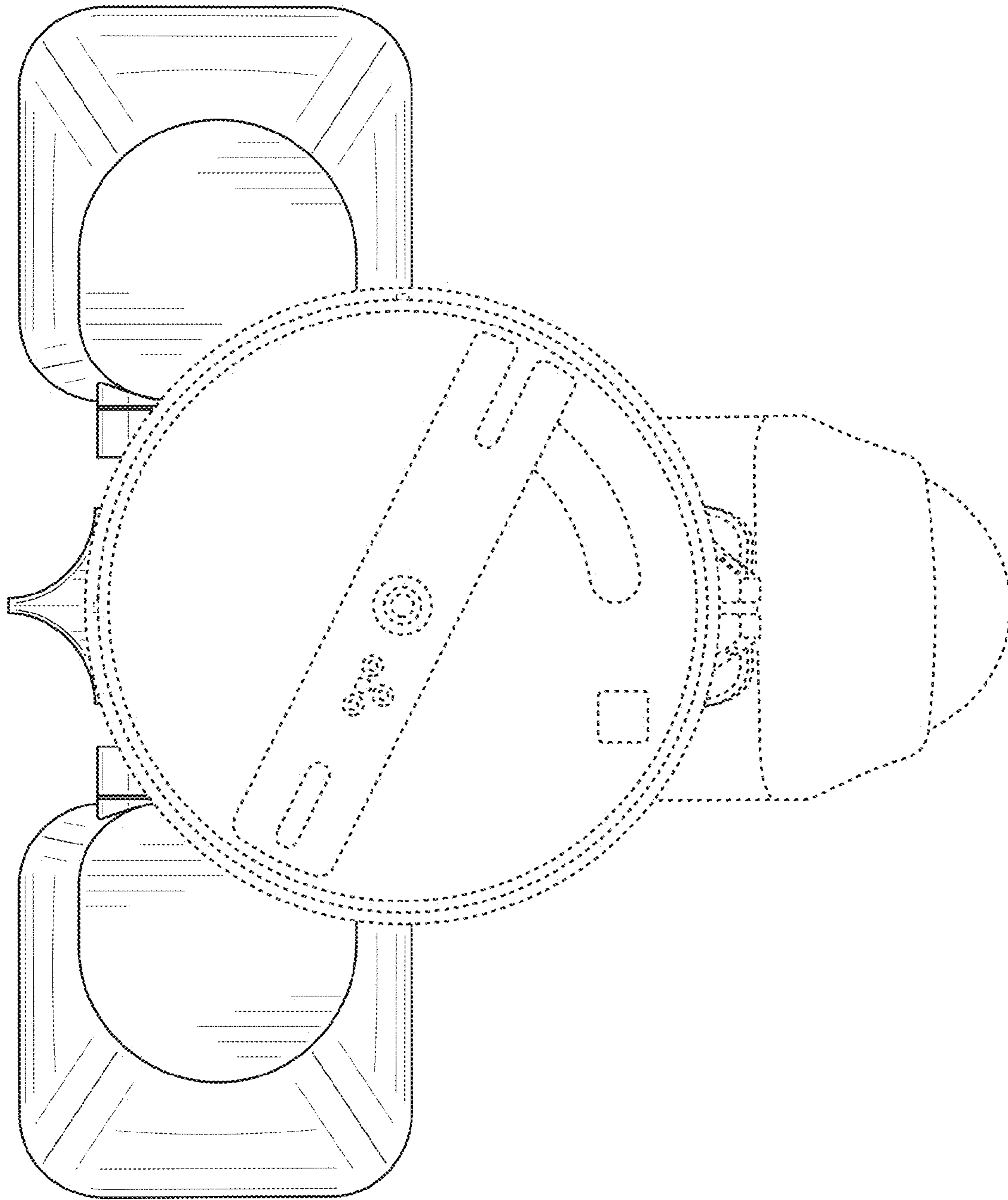


FIG. 6

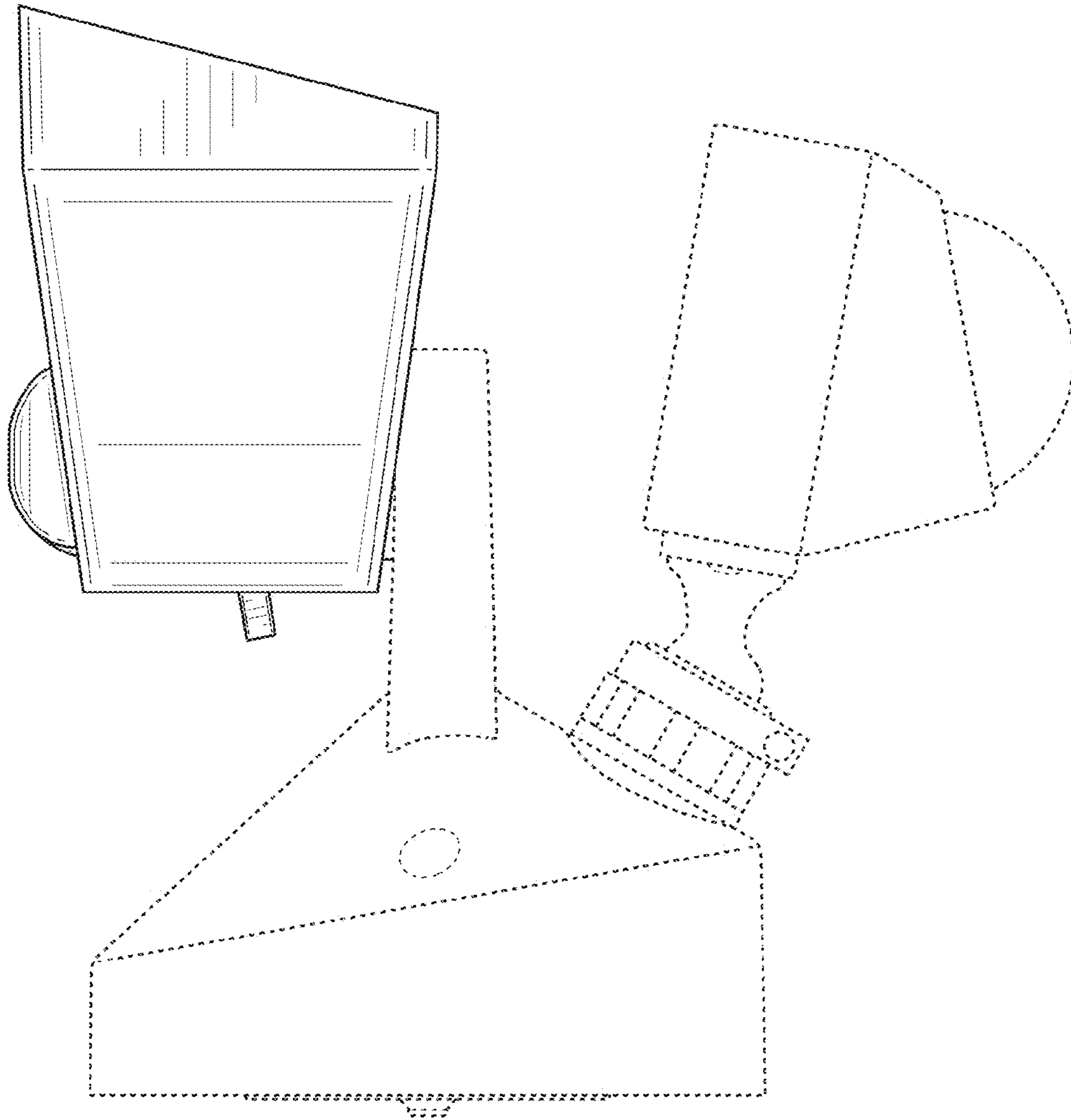


FIG. 7

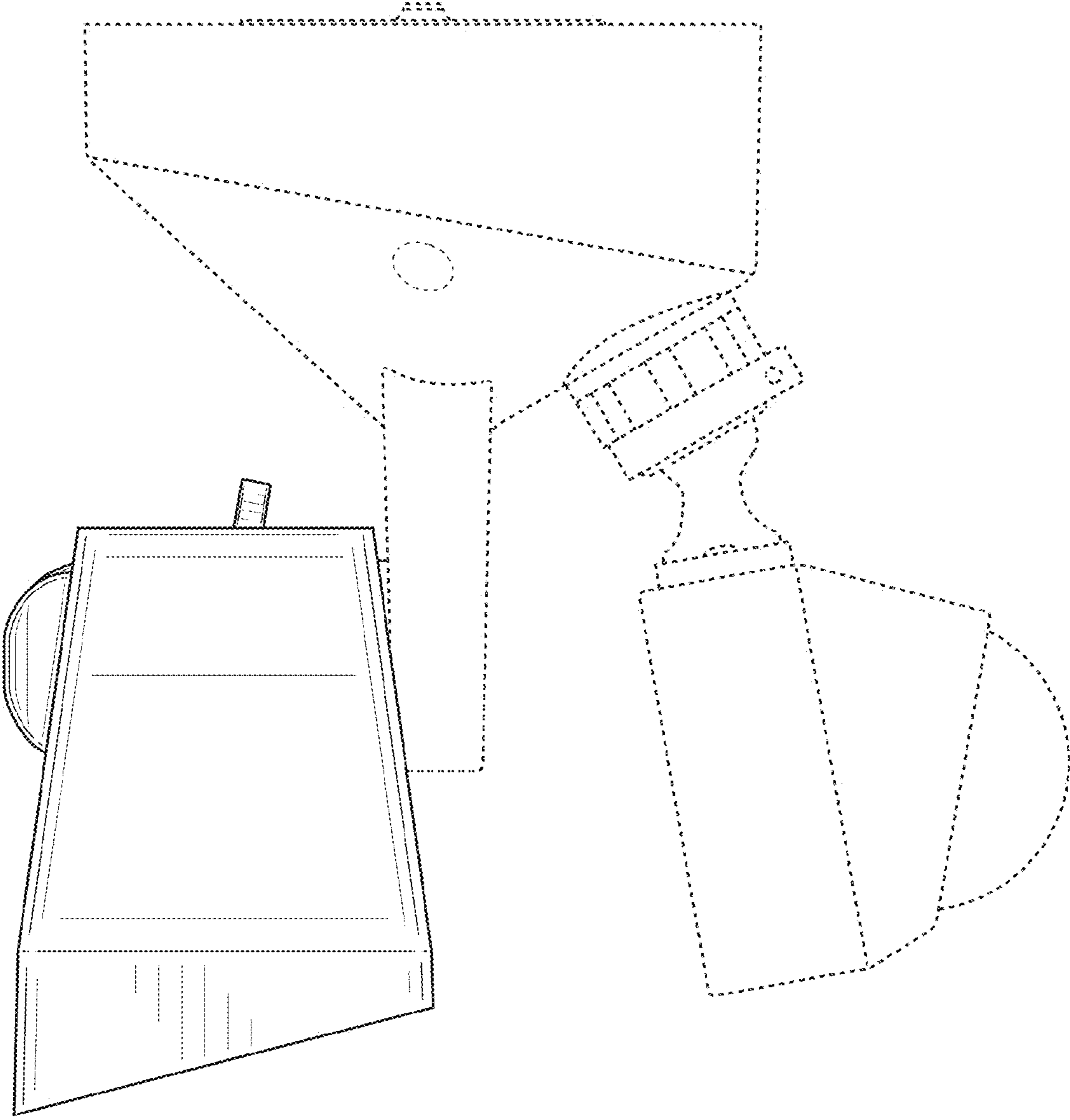


FIG. 8

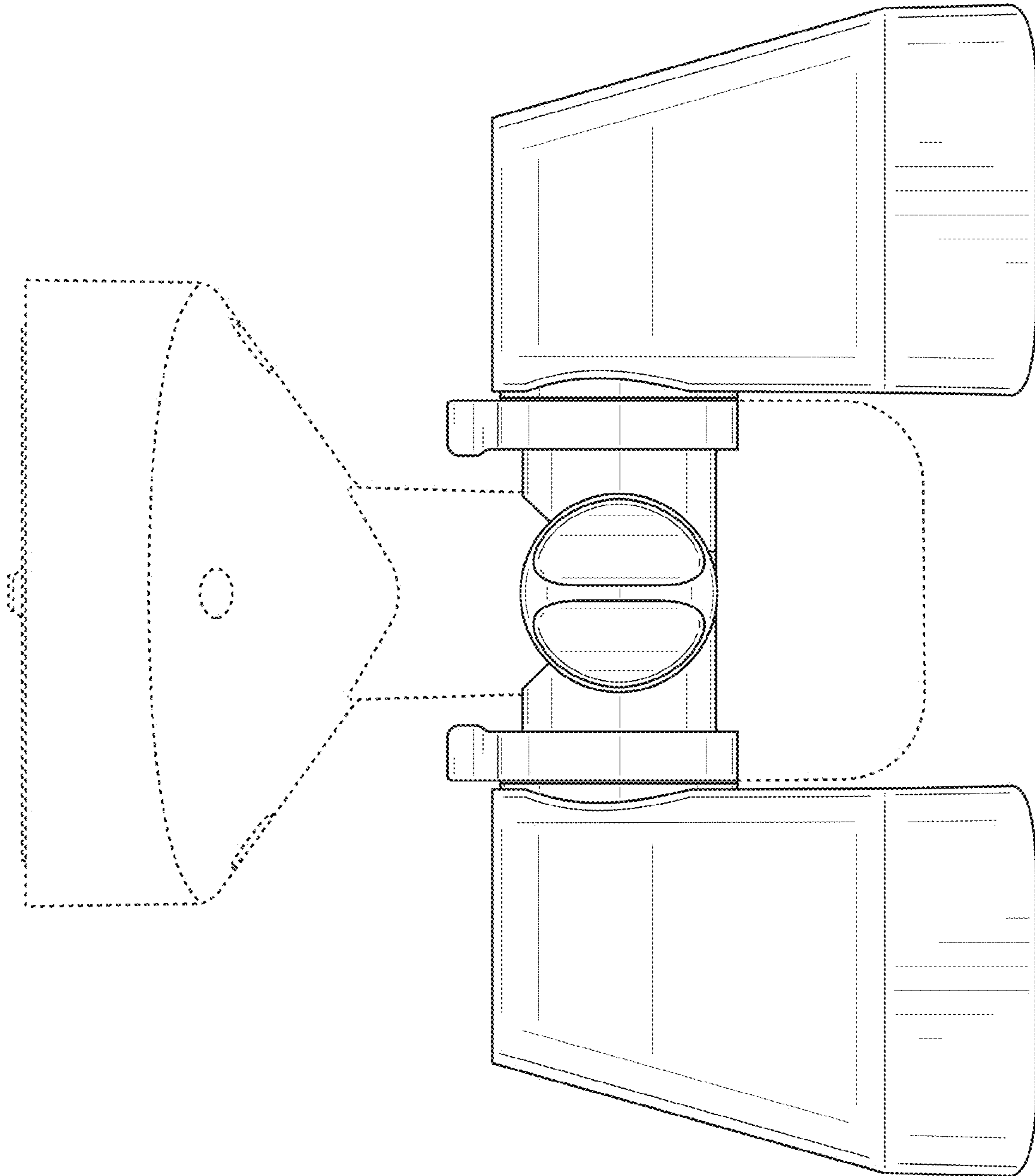


FIG. 9

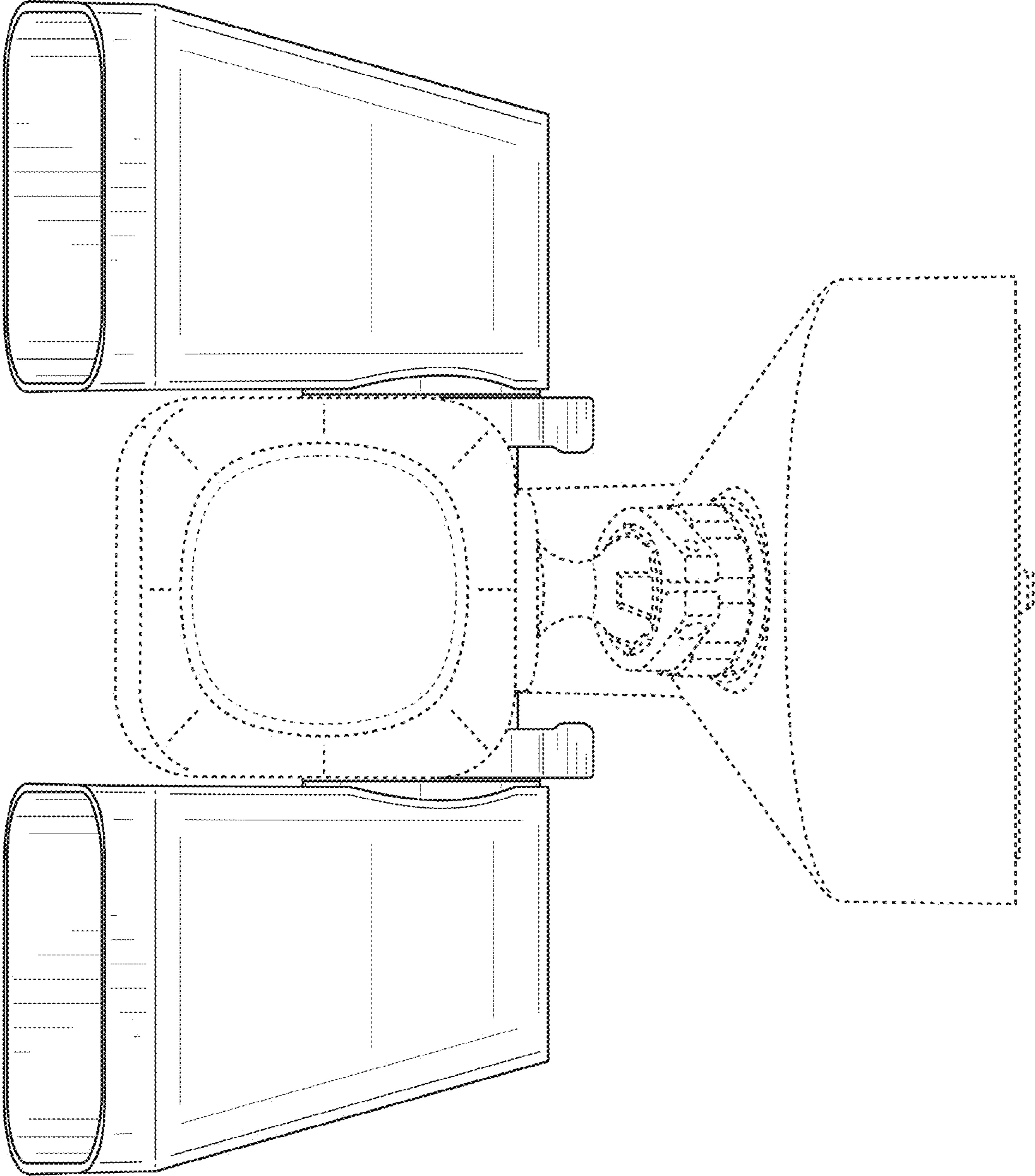


FIG. 10