



US00D892377S

(12) **United States Design Patent**
Zhu

(10) **Patent No.:** **US D892,377 S**

(45) **Date of Patent:** **** Aug. 4, 2020**

(54) **LANDSCAPE SPOTLIGHTS**

(71) Applicant: **Dongsheng Zhu**, Shenzhen (CN)

(72) Inventor: **Dongsheng Zhu**, Shenzhen (CN)

(73) Assignee: **Shenzhen Smart & Green Technology Co., Ltd**, Shenzhen

(**) Term: **15 Years**

(21) Appl. No.: **29/671,325**

(22) Filed: **Nov. 26, 2018**

(51) **LOC (12) Cl.** **26-03**

(52) **U.S. Cl.**
USPC **D26/63**

(58) **Field of Classification Search**
USPC D26/24, 60-71, 85, 92, 113, 118, 119
CPC F21V 21/14; F21V 15/01; F21V 14/02;
F21V 21/30; F21V 14/00; F21Y
2105/001; F21S 8/00
See application file for complete search history.

(56) **References Cited**

U.S. PATENT DOCUMENTS

D849,981 S * 5/2019 Hwa D26/63

D851,312 S * 6/2019 Hwa D26/63
D853,612 S * 7/2019 Zhu D26/63
D870,341 S * 12/2019 Benghozi D26/63

* cited by examiner

Primary Examiner — Brian N. Vinson

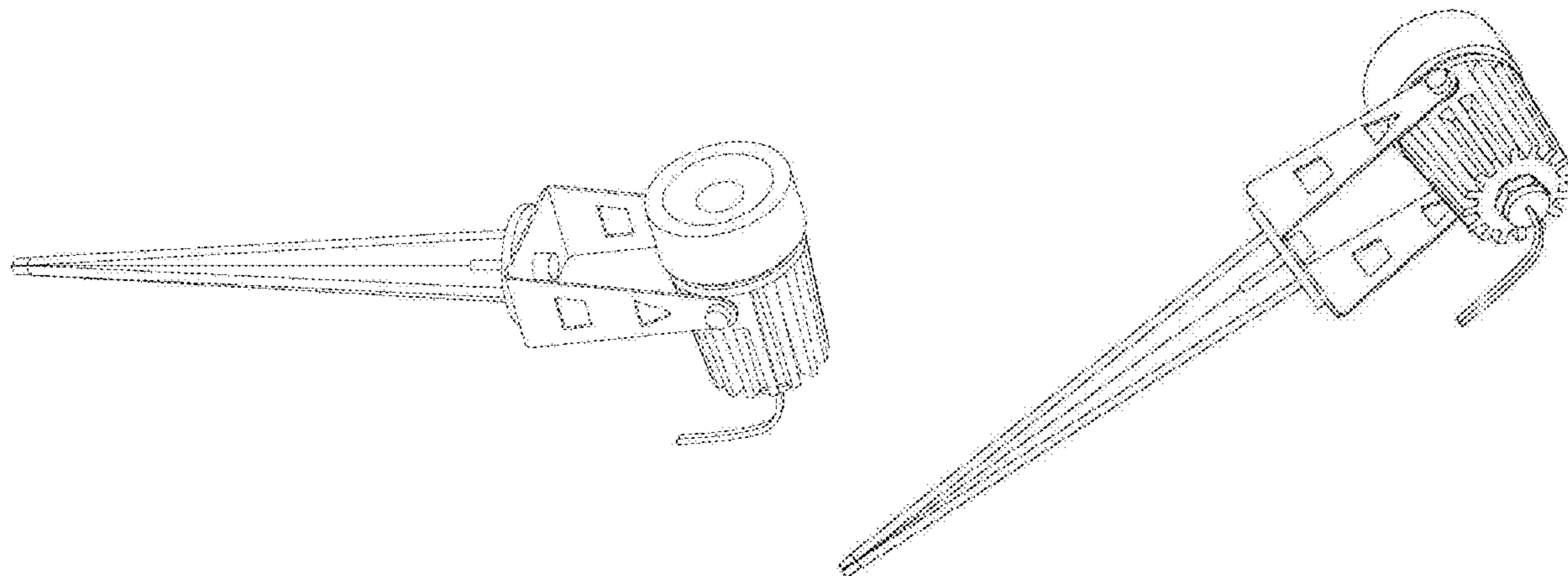
(57) **CLAIM**

The ornamental design for a landscape spotlights, as shown and described.

DESCRIPTION

FIG. 1 is a perspective view of a landscape spotlights showing my new design;
FIG. 2 is a perspective view of a landscape spotlights showing my new design;
FIG. 3 is a top plan view thereof;
FIG. 4 is a rear elevational view thereof;
FIG. 5 is a bottom plan view thereof;
FIG. 6 is a right side view thereof;
FIG. 7 is a front elevational view thereof; and,
FIG. 8 is a left side view thereof.

1 Claim, 8 Drawing Sheets



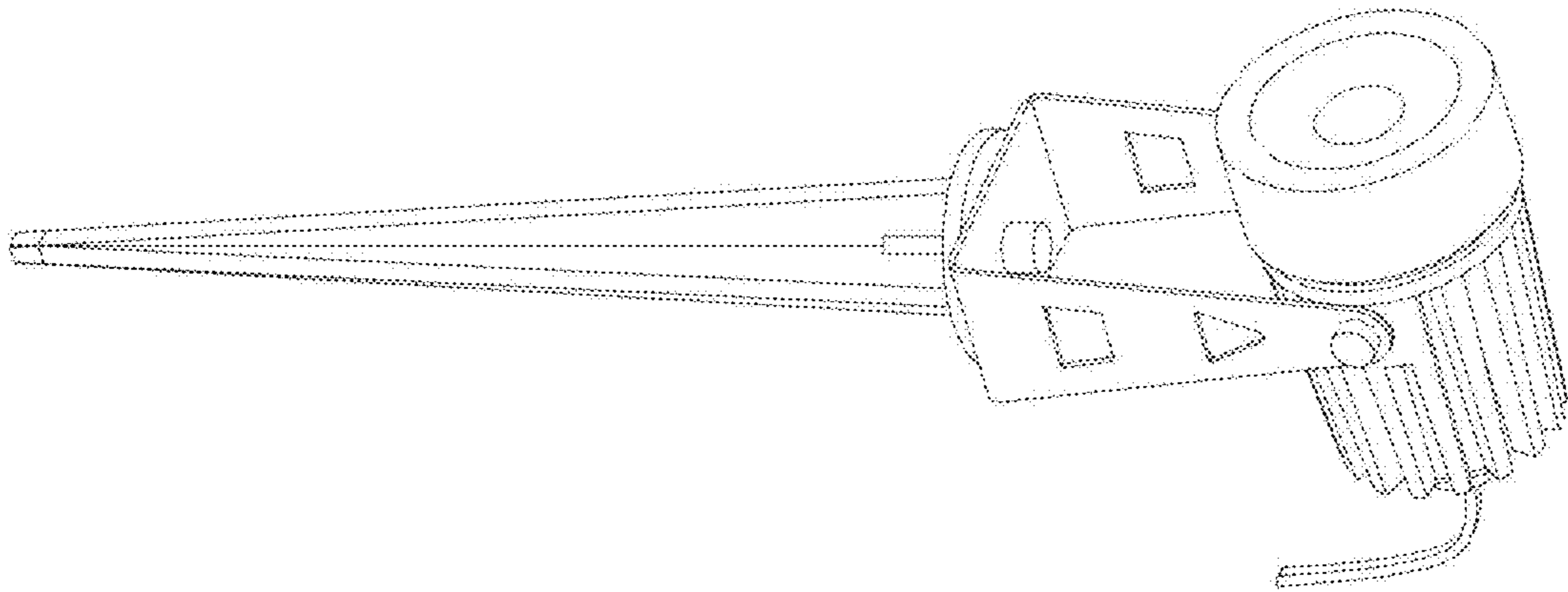


FIG.1

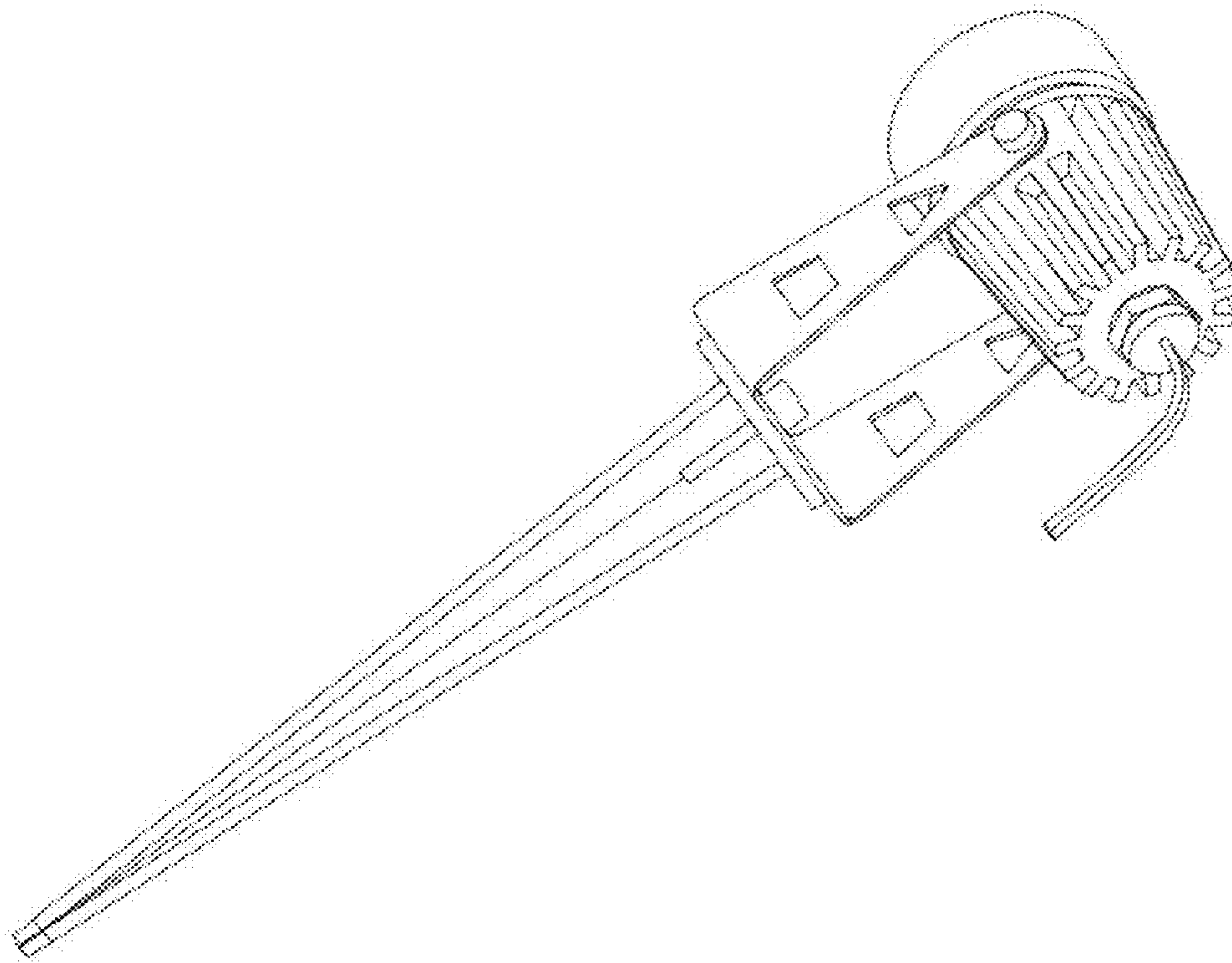


FIG.2

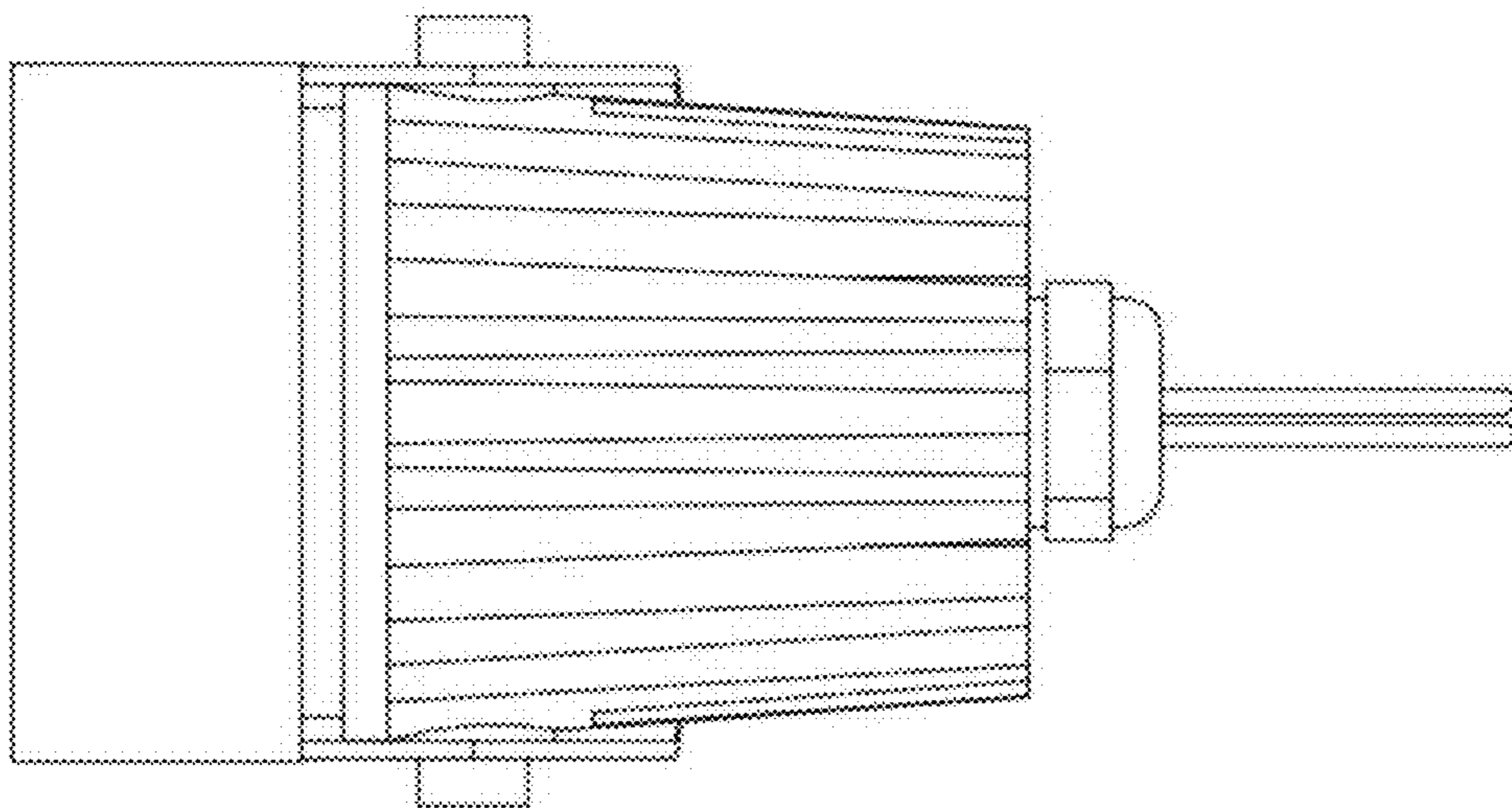


FIG.3

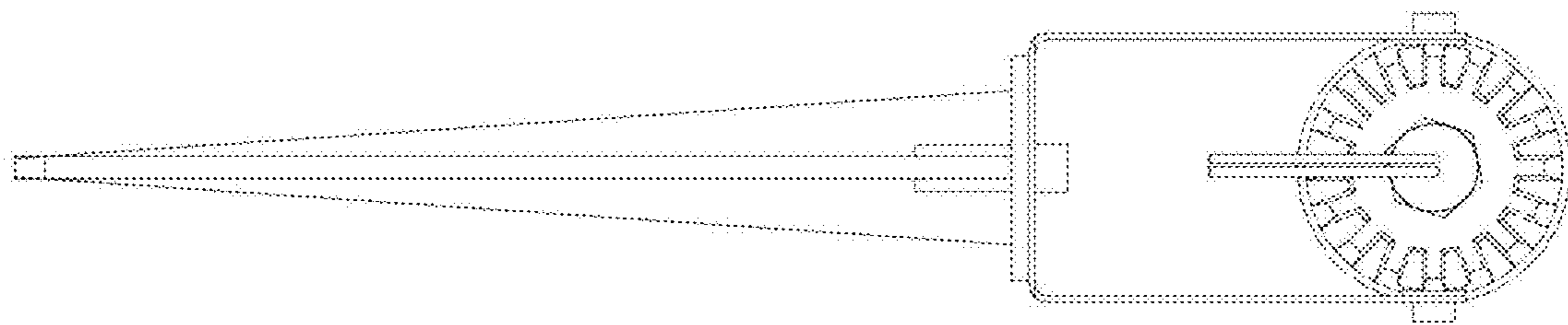


FIG.4

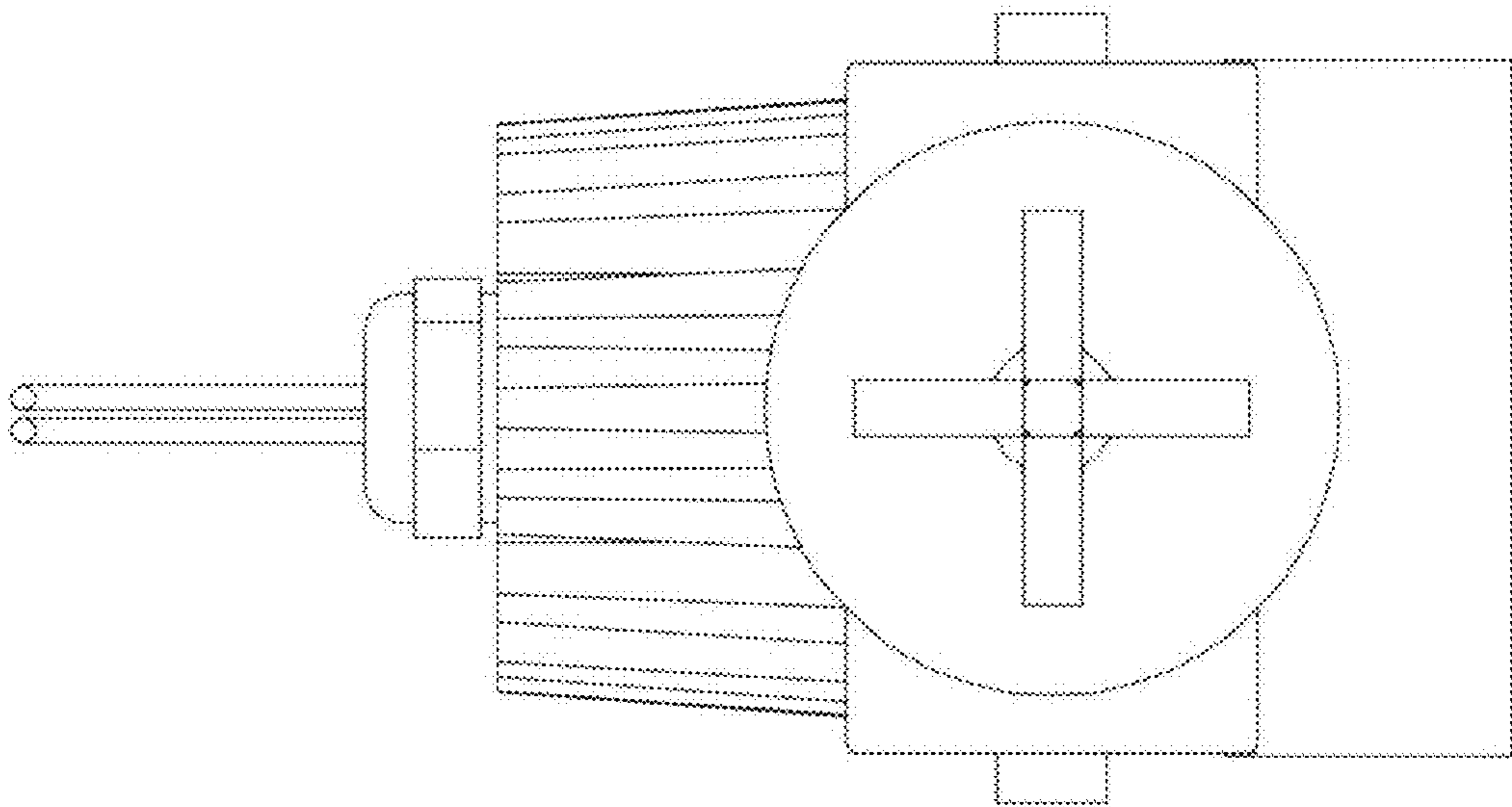


FIG.5

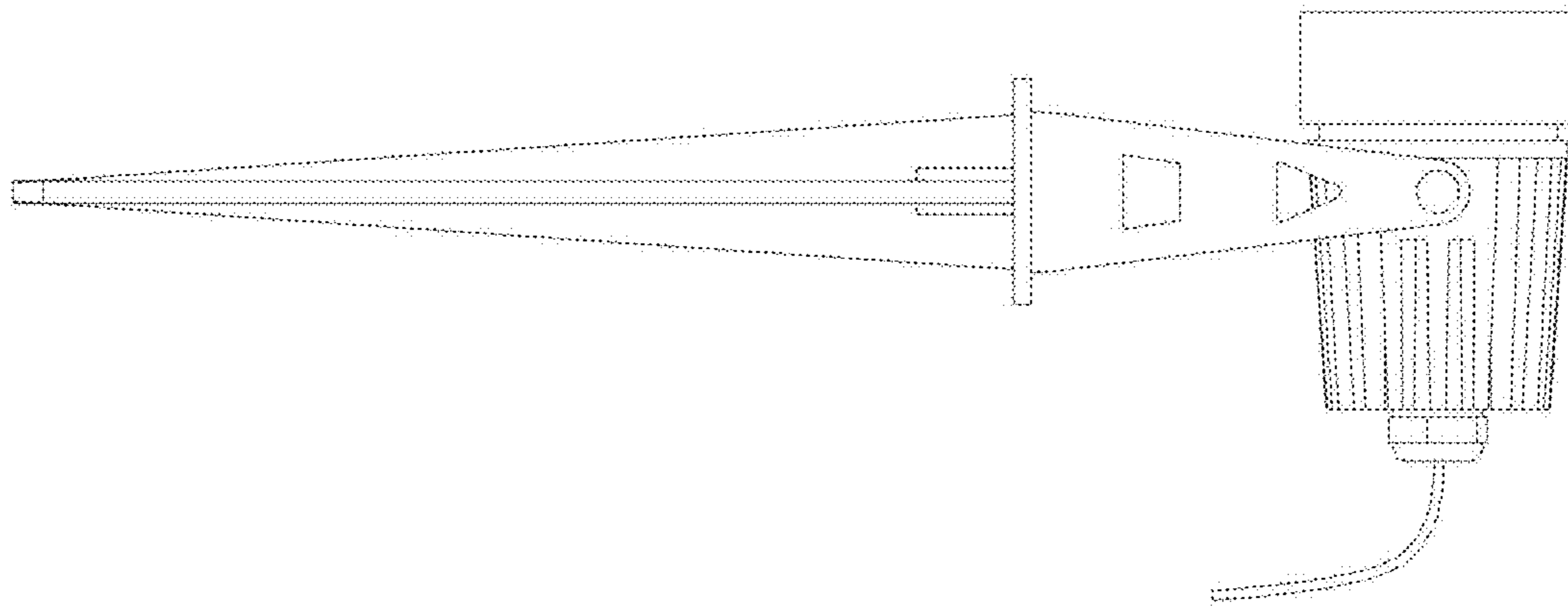


FIG.6

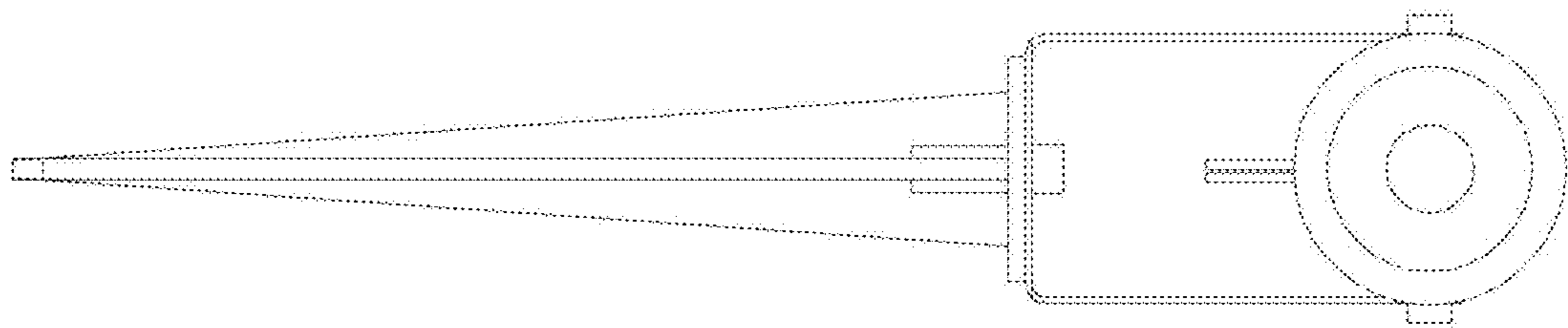


FIG.7

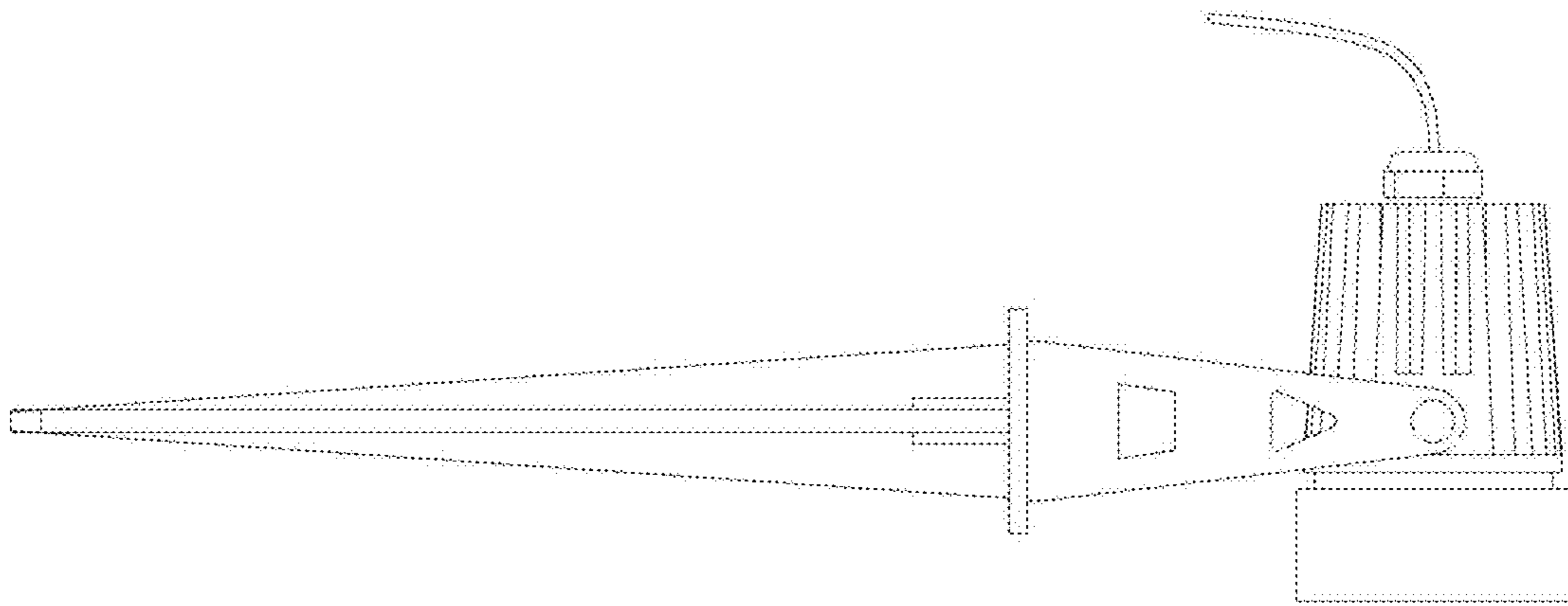


FIG.8