



US00D892376S

(12) **United States Design Patent** (10) **Patent No.:** **US D892,376 S**
Gordin et al. (45) **Date of Patent:** **** *Aug. 4, 2020**

(54) **ADJUSTABLE LIGHTING FIXTURE WITH WRAPAROUND VISOR**

(71) Applicant: **Musco Corporation**, Oskaloosa, IA (US)

(72) Inventors: **Myron Gordin**, Oskaloosa, IA (US); **Joel D. DeBoef**, New Sharon, IA (US); **Steven T. Heaton**, Oskaloosa, IA (US); **Kenneth G. Lewis, Jr.**, New Sharon, IA (US); **Chris P. Lickiss**, Newton, IA (US); **Luke C. McKee**, Oskaloosa, IA (US)

(73) Assignee: **Musco Corporation**, Oskaloosa, IA (US)

(*) Notice: This patent is subject to a terminal disclaimer.

(**) Term: **15 Years**

(21) Appl. No.: **29/663,939**

(22) Filed: **Sep. 20, 2018**

(51) **LOC (12) Cl.** **26-05**

(52) **U.S. Cl.**
USPC **D26/63**

(58) **Field of Classification Search**
USPC D26/24, 28, 61-68, 72, 77, 85, 87, 92, D26/118-120

CPC .. F21S 8/003; F21S 8/085; F21S 8/086; F21S 8/088; F21V 15/00; F21V 15/01; F21V 21/22; F21V 21/30; F21V 21/116; F21V 11/04; F21V 11/14; F21W 2131/10; F21W 2131/20; F21W 2131/40; F21W 2131/101; F21W 2131/103; F21W 2131/105; F21W 2131/107; F21W 2131/208; F21W 2131/402; F21W 2131/406; F21W 2131/407; F21W 2131/1005

See application file for complete search history.

(56) **References Cited**

U.S. PATENT DOCUMENTS

D411,025 S * 6/1999 Rahn D26/63
D447,590 S * 9/2001 Raouf D26/71
6,467,928 B2 * 10/2002 Crelin F21S 8/033
362/147
D472,339 S * 3/2003 Russello D26/63
D695,949 S 12/2013 Gordin et al.
(Continued)

OTHER PUBLICATIONS

Gordin, Myron et al., unpublished Pending Design U.S. Appl. No. 29/637,422, Adjustable Lighting Fixture With Wraparound Visor, filed Feb. 19, 2018.

(Continued)

Primary Examiner — Wan Laymon

Assistant Examiner — Clint A Samuel

(74) *Attorney, Agent, or Firm* — Jessica R. Boer

(57) **CLAIM**

The ornamental design for an adjustable lighting fixture with wraparound visor, as shown and described.

DESCRIPTION

FIG. 1 is a top front perspective view of the claimed design; FIG. 2 is a bottom front perspective view of the design of FIG. 1;

FIG. 3 is a front elevation view of FIG. 1;

FIG. 4 is a back elevation view of FIG. 1;

FIG. 5 is a right side elevation view of FIG. 1;

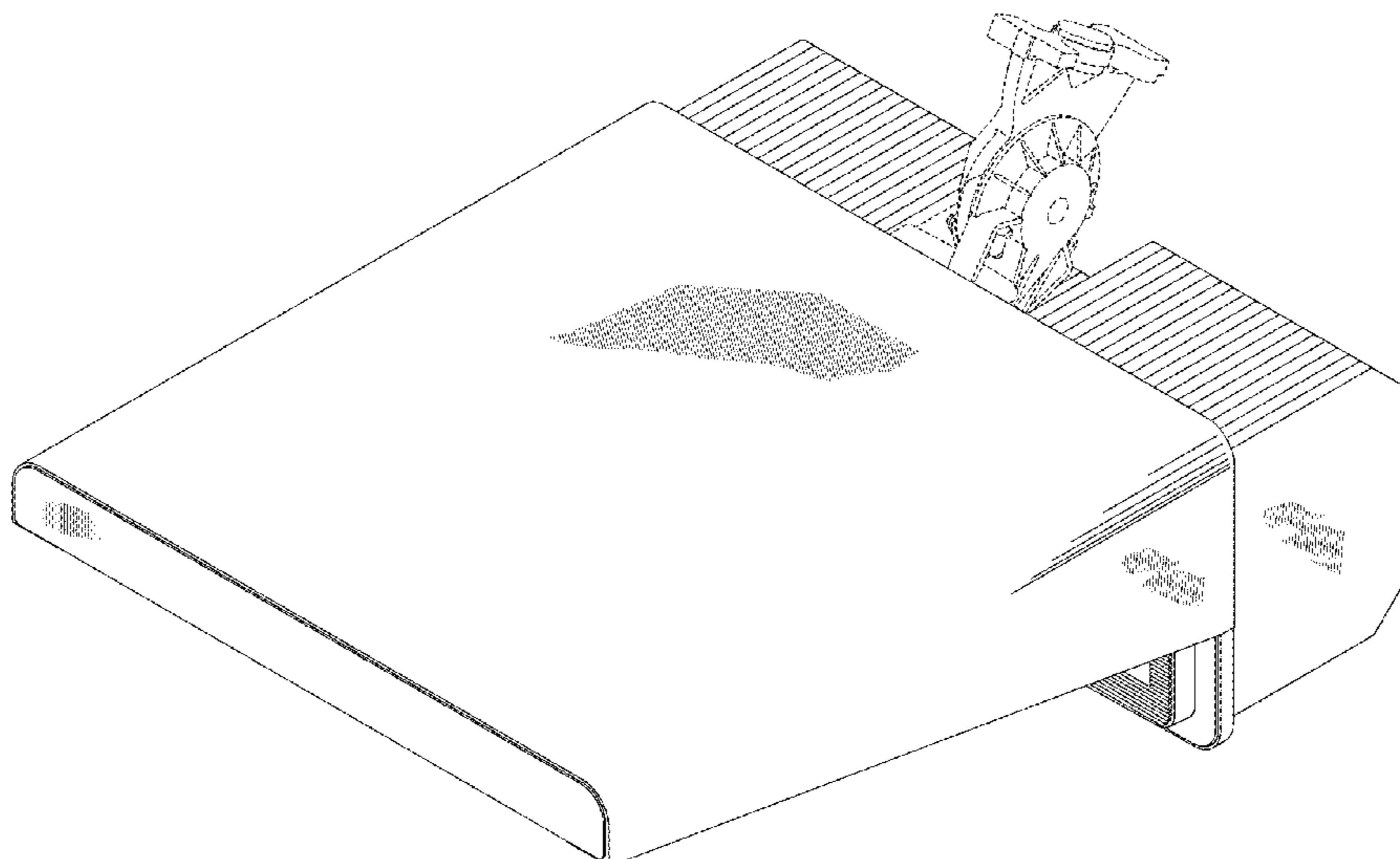
FIG. 6 is a left side elevation view of FIG. 1;

FIG. 7 is a top plan view of FIG. 1; and,

FIG. 8 is a bottom plan view of FIG. 1.

The broken lines shown in the drawings illustrate unclaimed portions of or environmental structure related to the adjustable lighting fixture with wraparound visor, and form no part of the claimed design.

1 Claim, 8 Drawing Sheets



(56)

References Cited

U.S. PATENT DOCUMENTS

D695,952	S	12/2013	Gordin et al.	
D734,532	S	7/2015	Gordin et al.	
D743,602	S	11/2015	Gordin et al.	
D749,767	S *	2/2016	Jin	D26/63
D771,854	S	11/2016	Gordin et al.	
D782,720	S *	3/2017	Moghal	D26/67
D790,107	S *	6/2017	Wilmotte	D26/92
D808,052	S	1/2018	Gordin et al.	
D808,053	S	1/2018	Gordin et al.	
9,964,267	B1 *	5/2018	Van Ee	F21S 8/086
D833,662	S *	11/2018	Gordin	D26/63
D841,854	S *	2/2019	Gordin	D26/63
D841,855	S *	2/2019	Gordin	D26/63
D841,856	S *	2/2019	Gordin	D26/63
10,215,378	B2 *	2/2019	Kinnune	F21V 21/00
D843,040	S *	3/2019	Xiang	D26/63
D846,171	S *	4/2019	Zhu	D26/63
D872,350	S *	1/2020	Gordin	D26/118
D872,351	S *	1/2020	Gordin	D26/118
D872,927	S *	1/2020	Gordin	D26/118
D872,928	S *	1/2020	Gordin	D26/118
D872,929	S *	1/2020	Gordin	D26/118
D873,462	S *	1/2020	Gordin	D26/63
D874,050	S *	1/2020	Gordin	D26/118
D875,984	S *	2/2020	Xiao	D26/63
D880,035	S *	3/2020	Gordin	D26/63
D882,141	S *	4/2020	Gordin	D26/63
D882,850	S *	4/2020	Gordin	D26/63
D882,860	S *	4/2020	Gordin	D26/118
10,612,763	B2 *	4/2020	Ladewig	F21V 29/713
2017/0138579	A1 *	5/2017	Kuti	F21V 15/01
2017/0307149	A1 *	10/2017	Clark	F21V 29/76
2019/0178485	A1 *	6/2019	Ladewig	F21S 2/00

OTHER PUBLICATIONS

Gordin, Myron et al., unpublished Pending Design U.S. Appl. No. 29/637,423, Adjustable Lighting Fixture With Wraparound Visor, filed Feb. 19, 2018.

Gordin, Myron et al., unpublished Pending Design U.S. Appl. No. 29/637,425, Adjustable Lighting Fixture With Wraparound Visor, filed Feb. 19, 2018.

Gordin, Myron et al., unpublished Pending Design U.S. Appl. No. 29/637,504, Adjustable Lighting Fixture With Wraparound Visor, filed Feb. 19, 2018.

Gordin, Myron et al., unpublished Pending Design U.S. Appl. No. 29/637,505, Adjustable Lighting Fixture With Wraparound Visor, filed Feb. 19, 2018.

Gordin, Myron et al., unpublished Pending Design U.S. Appl. No. 29/637,508, Adjustable Lighting Fixture With Wraparound Visor, filed Feb. 19, 2018.

Gordin, Myron et al., unpublished Pending Design U.S. Appl. No. 29/627,868, Adjustable Lighting Fixture, filed Nov. 30, 2017.

Gordin, Myron et al., unpublished Pending Design U.S. Appl. No. 29/627,873, Adjustable Lighting Fixture, filed Nov. 30, 2017.

Gordin, Myron et al., unpublished Pending Design U.S. Appl. No. 29/627,901, Adjustable Lighting Fixture, filed Nov. 30, 2017.

Gordin, Myron et al., unpublished Pending Non-Provisional U.S. Appl. No. 15/826,772, Apparatus, Method, and System for Cost-Effective Lighting System Retrofits Including LED Luminaires.

Gordin, Myron et al., unpublished Pending Non-Provisional U.S. Appl. No. 16/000,567, Apparatus, Method, and System for Precise LED Lighting.

* cited by examiner

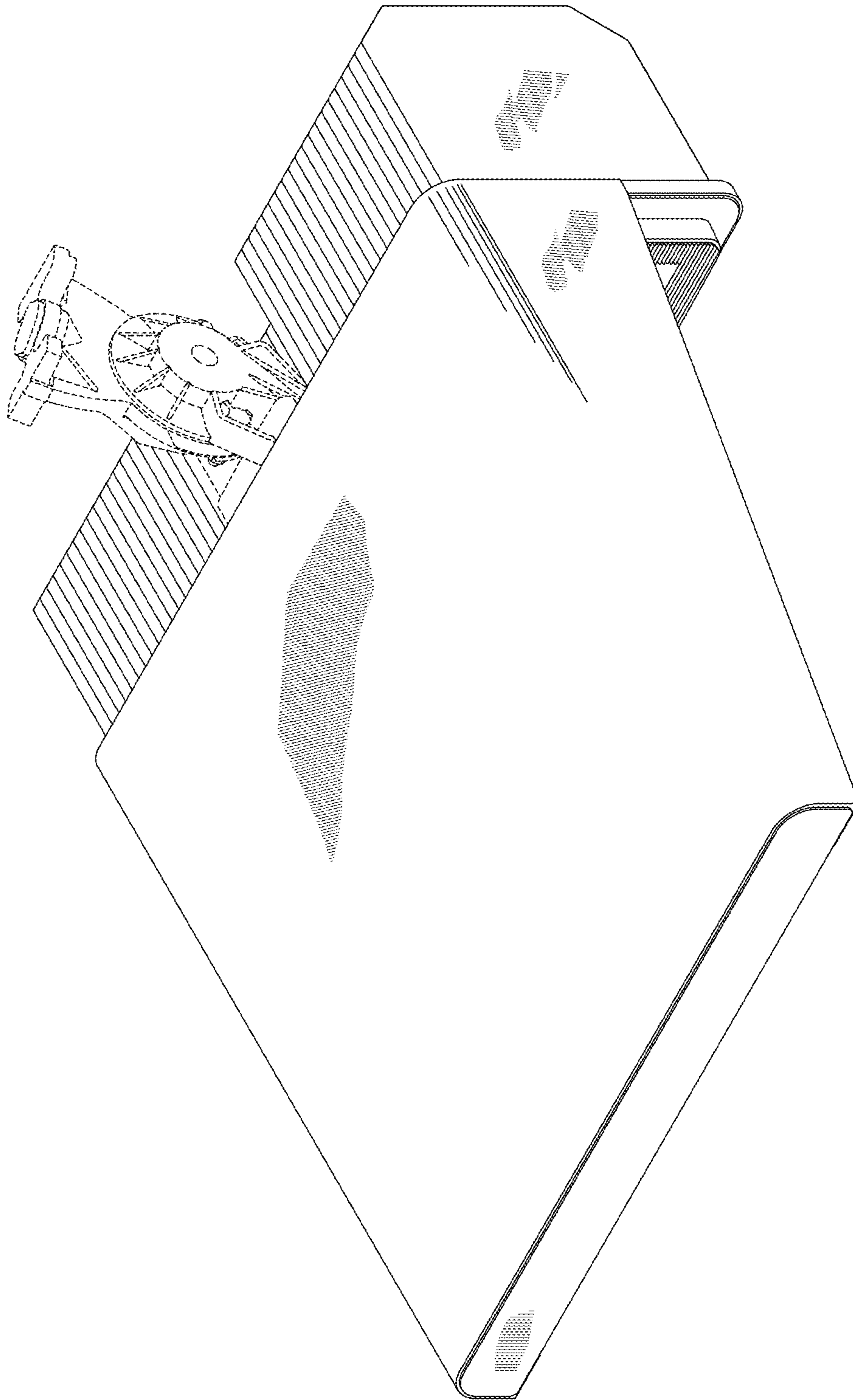


Fig 1

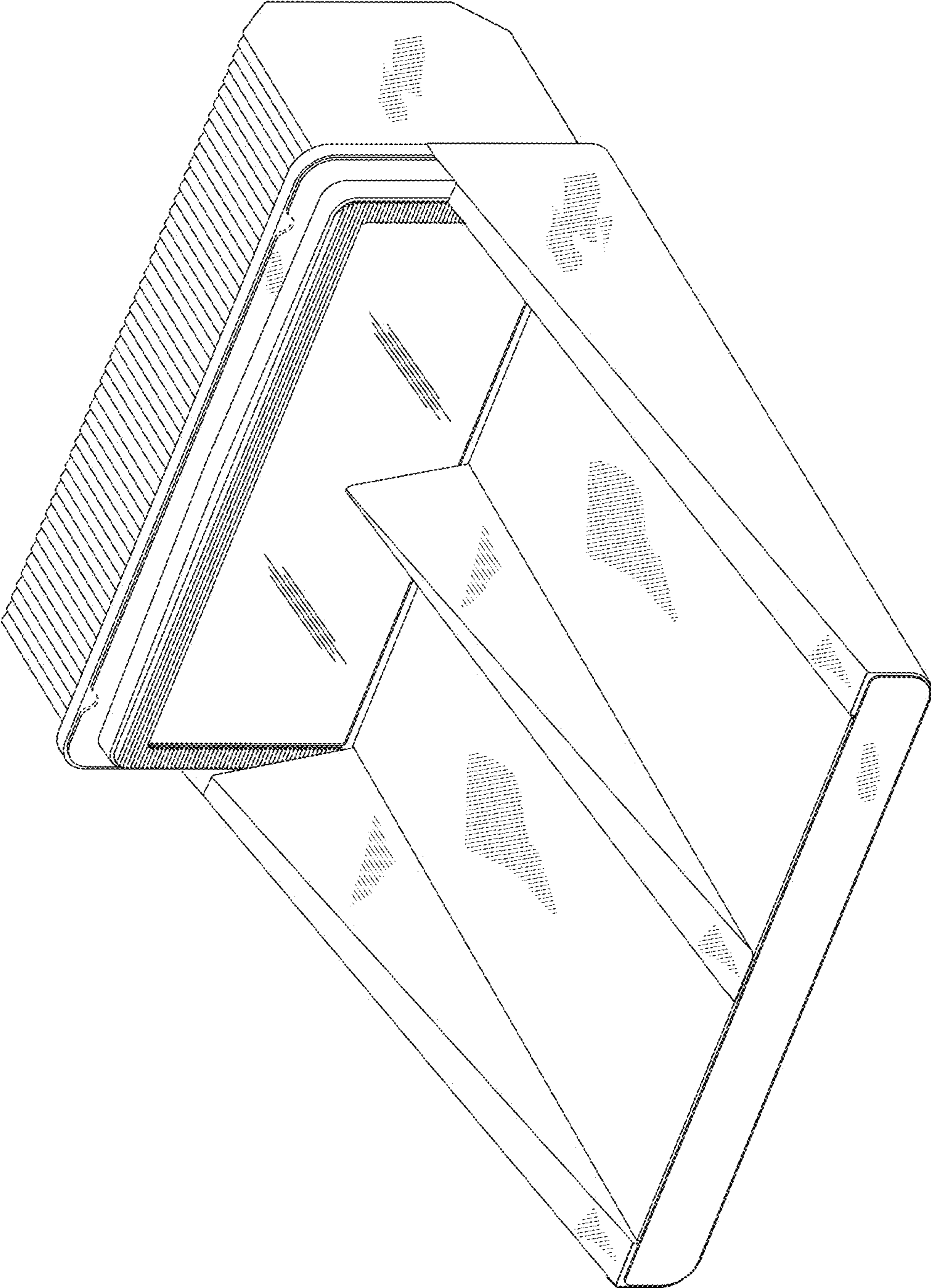


Fig 2

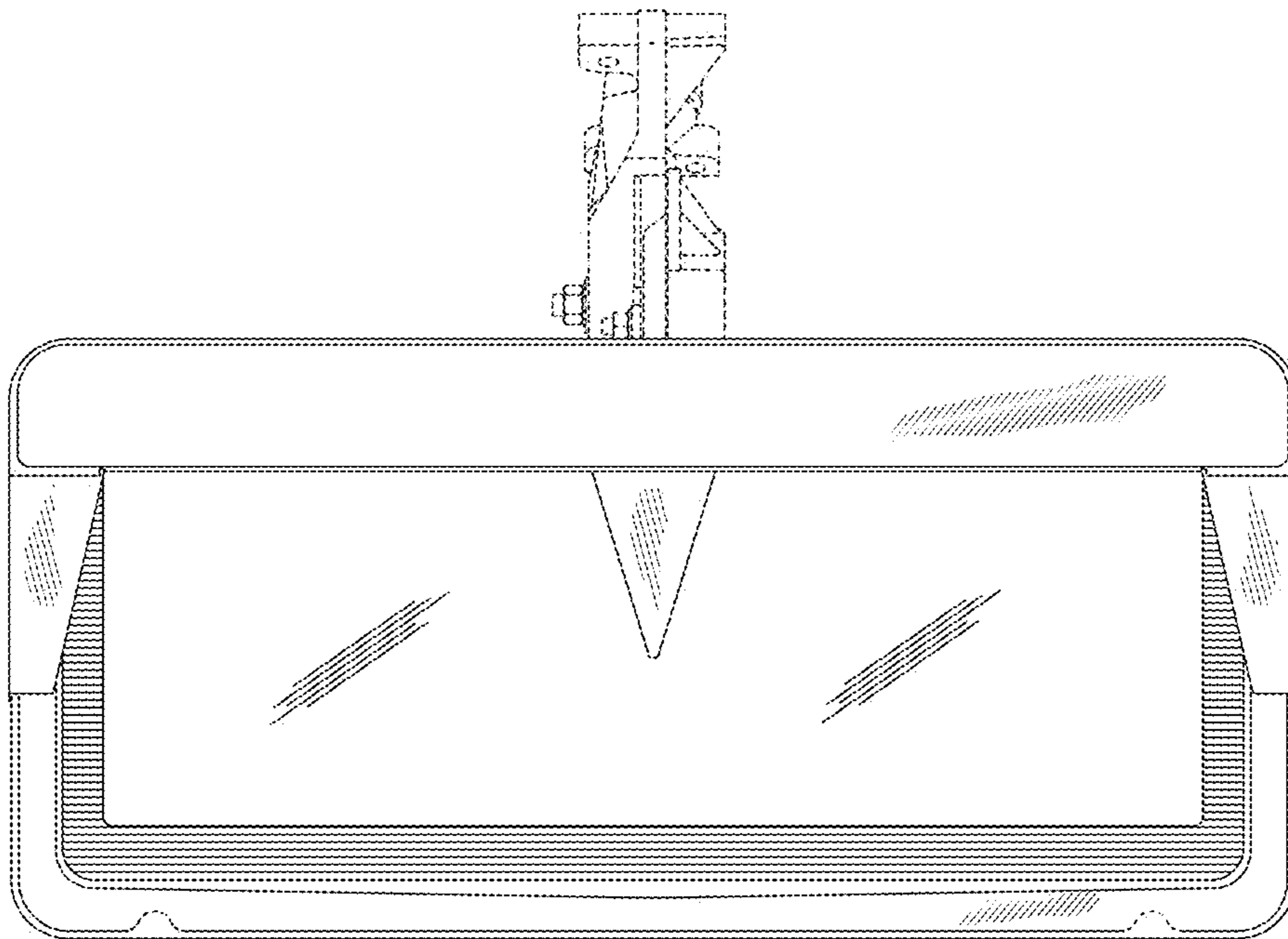


Fig 3

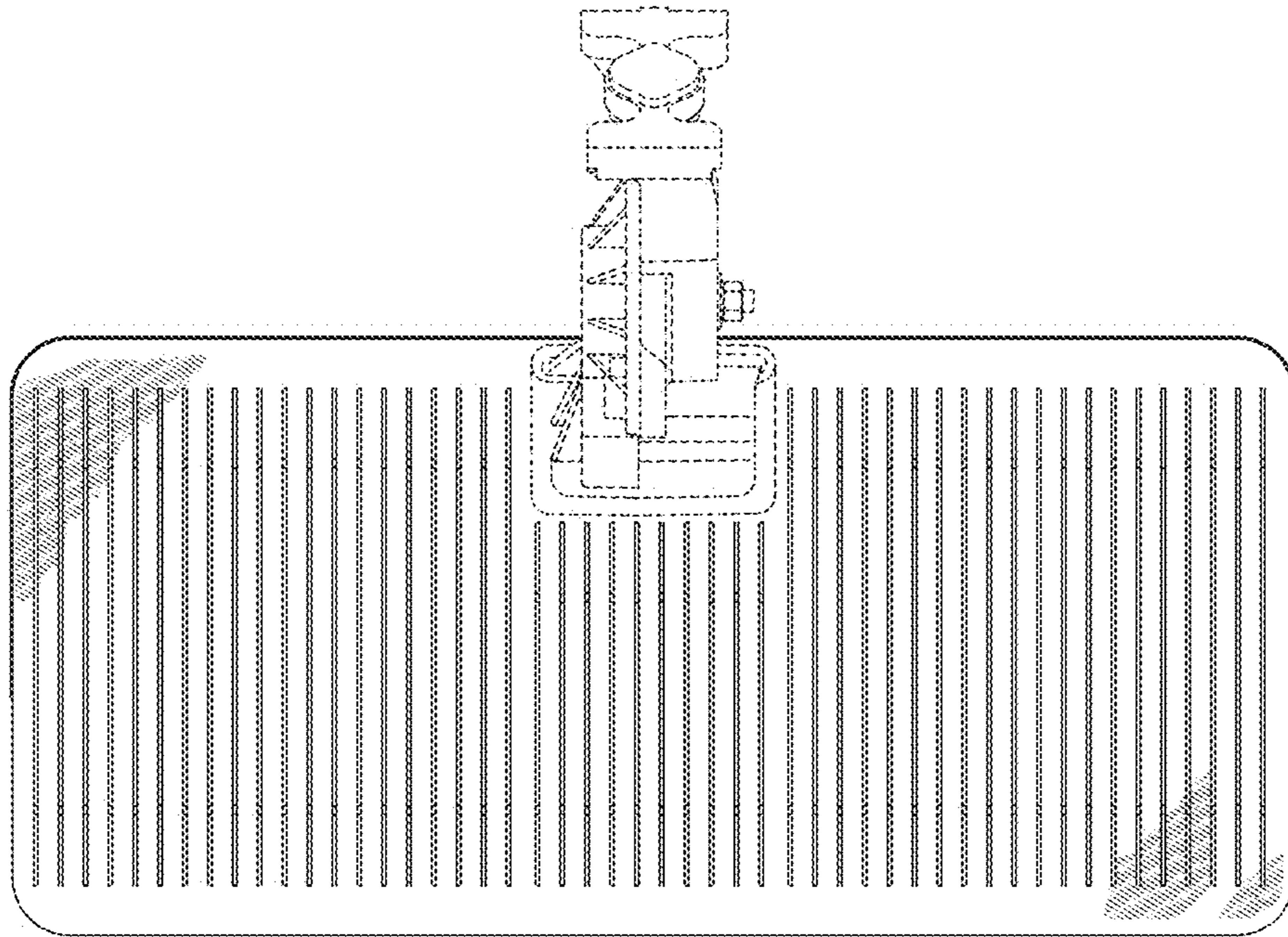


Fig 4

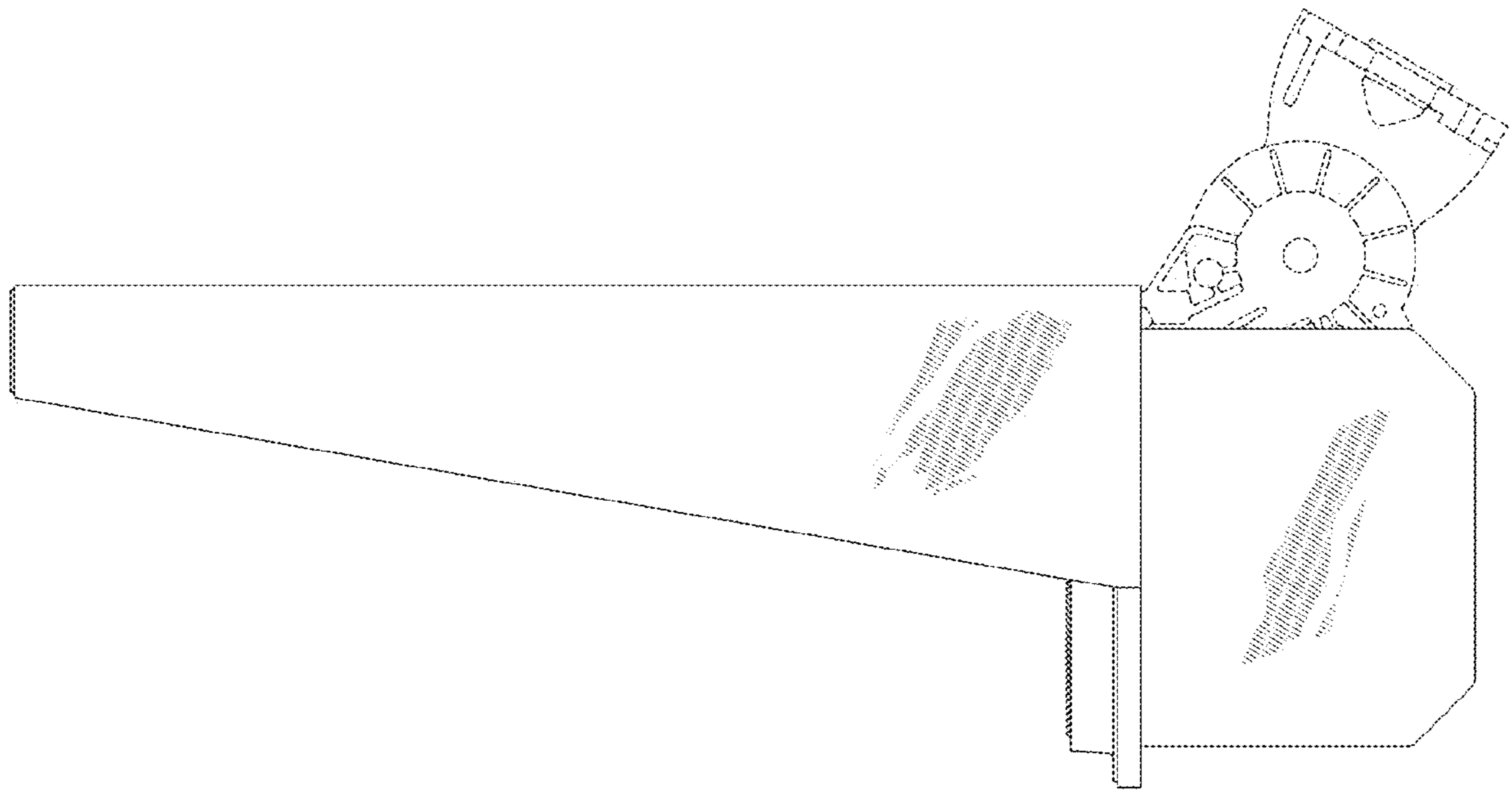


Fig 5

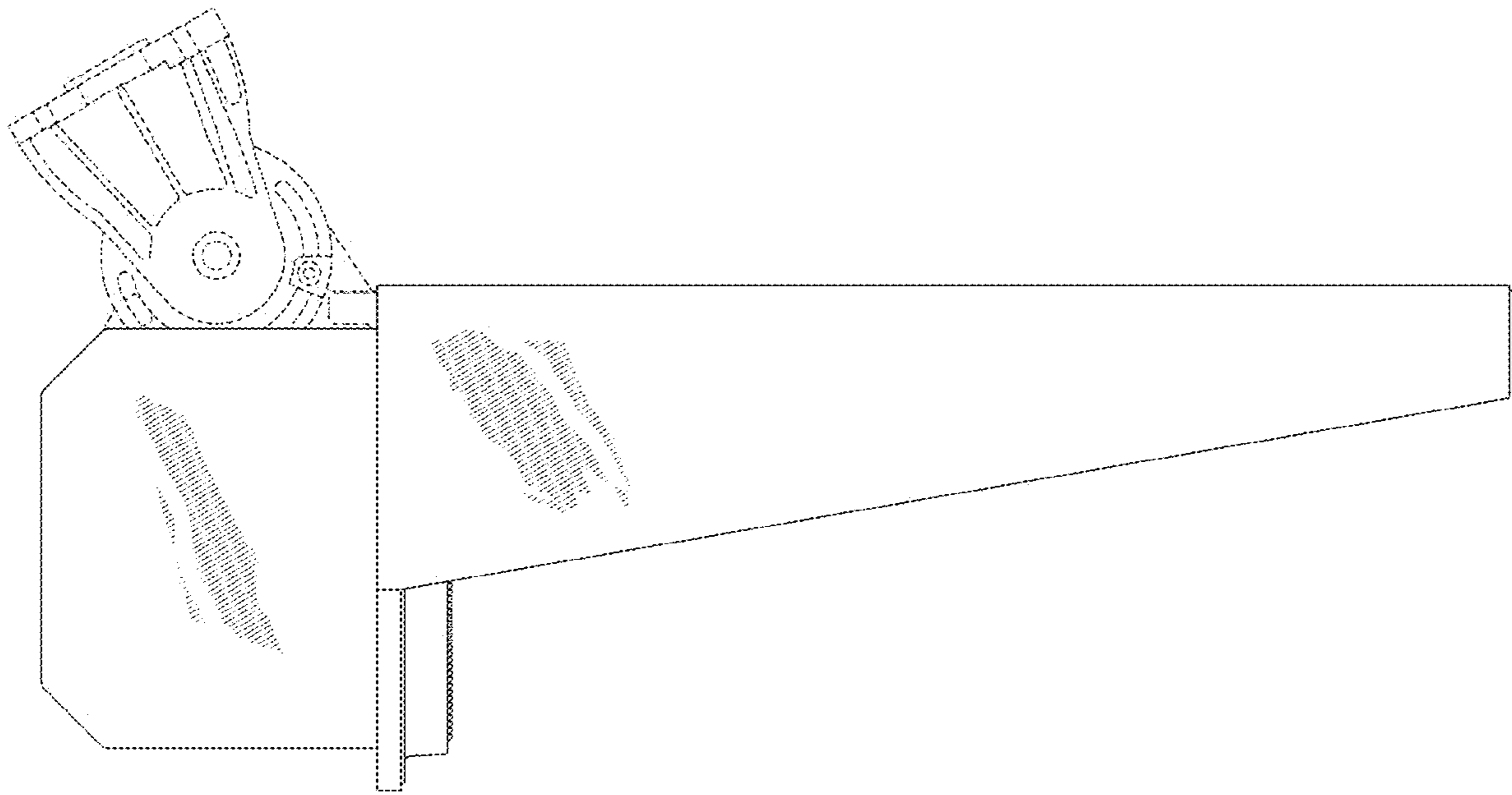


Fig 6

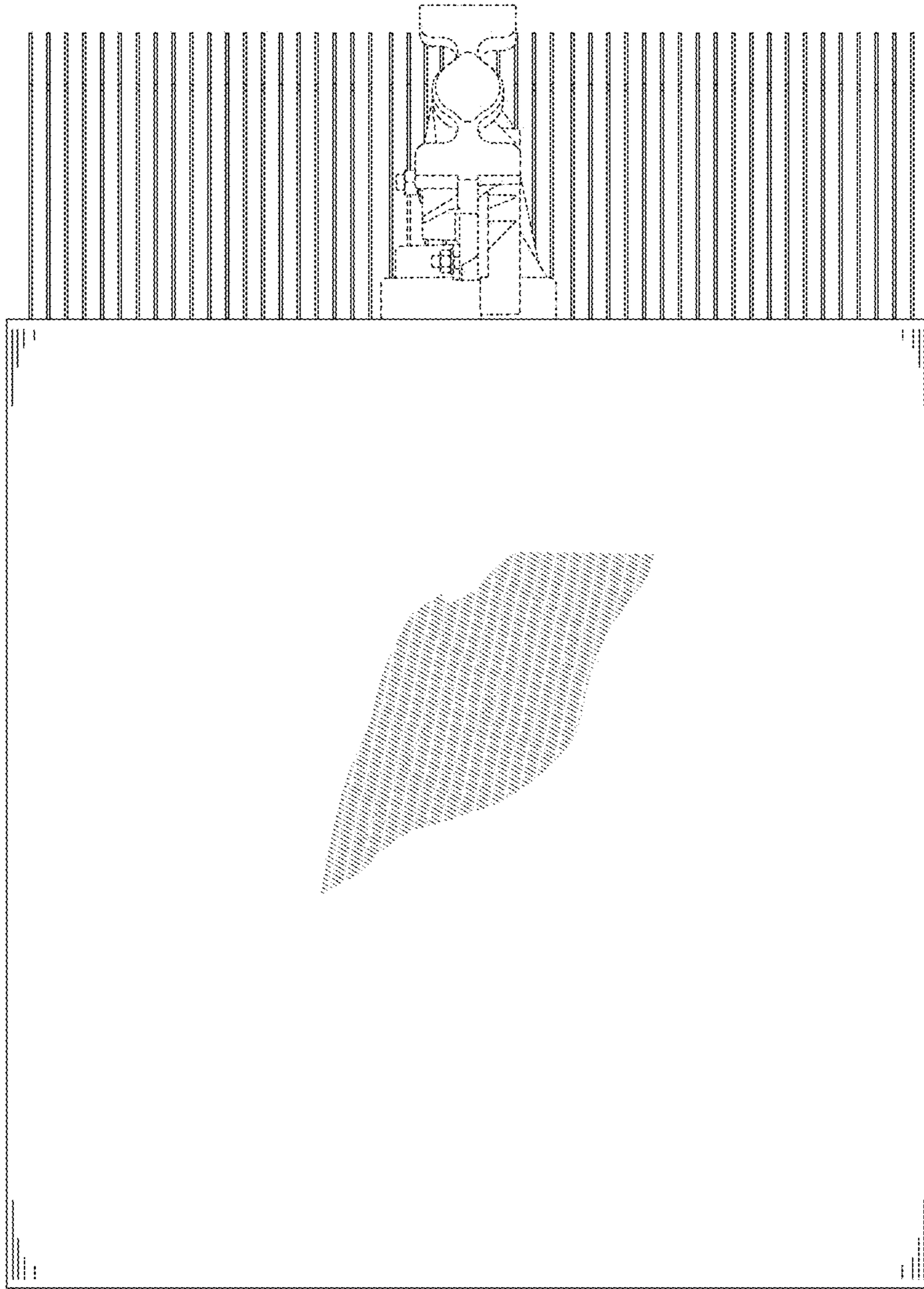


Fig 7

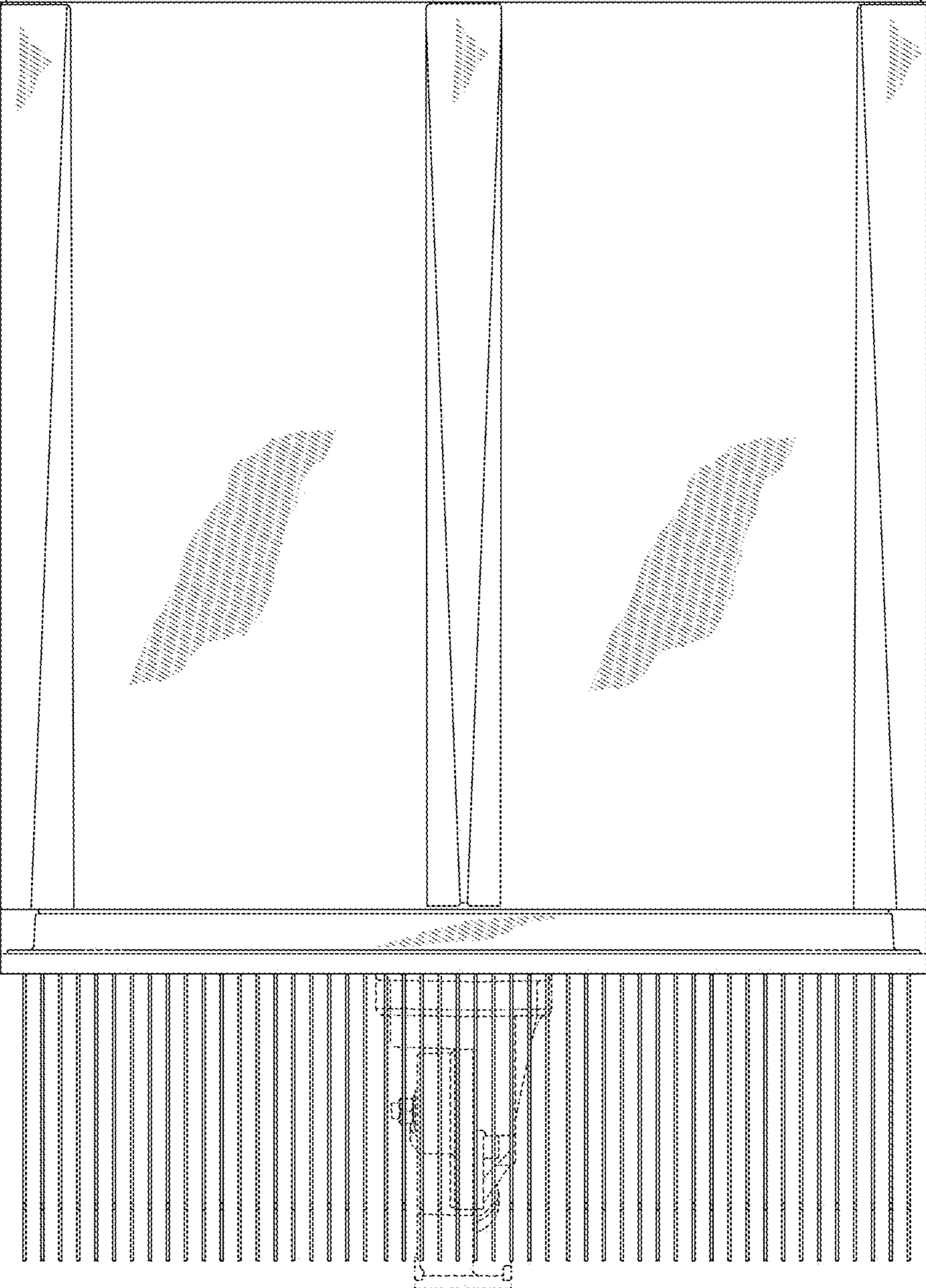


Fig 8