

US00D892374S

(12) **United States Design Patent**
Hsu

(10) **Patent No.:** **US D892,374 S**

(45) **Date of Patent:** **** Aug. 4, 2020**

- (54) **LAMP WITH ACOUSTIC DEVICE**
- (71) Applicant: **Dong Guan Bright Yinhuey Lighting Co., Ltd. China, Guang Dong (CN)**
- (72) Inventor: **Kevin Hsu, Taichung (TW)**
- (73) Assignee: **Dong Guan Bright Yinhuey Lighting Co., Ltd. China, Guang Dong (CN)**
- (**) Term: **15 Years**
- (21) Appl. No.: **29/614,523**
- (22) Filed: **Aug. 21, 2017**
- (51) **LOC (12) Cl.** **26-05**
- (52) **U.S. Cl.**
USPC **D26/51; D26/74**
- (58) **Field of Classification Search**
USPC **D26/37-51, 52, 74**
CPC **F21L 2003/00; F21L 4/00; F21L 4/005; F21L 4/02; F21L 4/025; F21L 4/027; F21L 4/04; F21L 4/08; F21L 2005/00; F21L 7/00; F21L 11/00; F21L 13/00; F21L 13/04; F21L 13/08; F21L 14/02; F21L 17/00; F21L 19/00; F21L 25/00**
See application file for complete search history.

7,104,668 B1 * 9/2006 Lee A44C 15/0015
362/103
D555,824 S * 11/2007 Dickson D26/123
D570,528 S * 6/2008 Thompson D26/89
D590,530 S * 4/2009 Tsai D26/51
7,878,673 B2 * 2/2011 Kempkey F21V 33/0056
362/101
D634,870 S * 3/2011 Shen D14/204
D670,419 S * 11/2012 Fissell D26/51
D698,068 S * 1/2014 Rashidi D26/74
D699,387 S * 2/2014 Snell D26/124
D708,381 S * 7/2014 Rashidi D26/74
D763,831 S * 8/2016 Cherry, II D14/221
D772,457 S * 11/2016 Lee D26/52
D772,466 S * 11/2016 Zhang D26/74
D775,376 S * 12/2016 Moreau D26/25
D777,966 S * 1/2017 Jeswani D26/74
D819,596 S * 6/2018 Sun D14/211
D824,074 S * 7/2018 Vidal D26/74

(Continued)

Primary Examiner — Lakiya G Rogers

Assistant Examiner — Carissa C Fitts

(74) *Attorney, Agent, or Firm* — Alan D. Kamrath; Karin L. Williams; Mayer & Williams PC

(57) **CLAIM**

The ornamental design for a lamp with acoustic device, as shown and described.

DESCRIPTION

FIG. 1 is a perspective view of a lamp with acoustic device showing my design;

FIG. 2 is a front elevational view thereof;

FIG. 3 is a rear elevational view thereof;

FIG. 4 is a left side elevational view thereof;

FIG. 5 is a right side elevational view thereof;

FIG. 6 is a top plan view thereof; and,

FIG. 7 is a bottom plan view thereof.

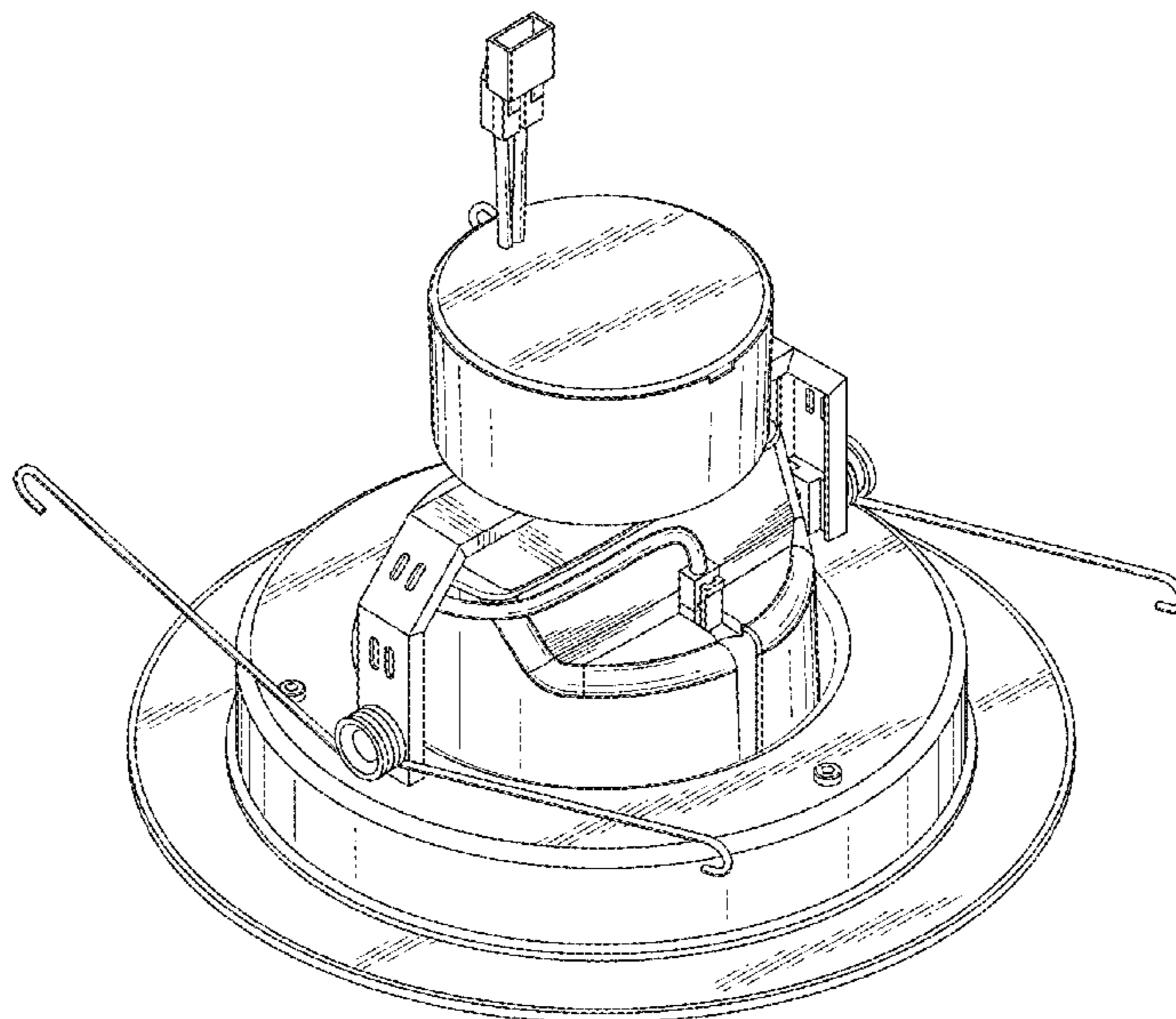
The broken lines show portions of the article which form no part of the claimed design.

1 Claim, 7 Drawing Sheets

(56) **References Cited**

U.S. PATENT DOCUMENTS

D365,099 S * 12/1995 Smith D14/211
5,741,061 A * 4/1998 Lehmann A01G 9/02
362/154
D399,590 S * 10/1998 Lecluze D26/118
D417,027 S * 11/1999 Cece D26/29
D445,526 S * 7/2001 Wang D26/76
D473,966 S * 4/2003 Lecluze D26/74
D475,802 S * 6/2003 Homann D26/118
D476,108 S * 6/2003 Lecluze D26/74
D488,583 S * 4/2004 Benghozi D26/118
D511,020 S * 10/2005 Egawa D26/74



(56)

References Cited

U.S. PATENT DOCUMENTS

D836,813 S	*	12/2018	Hsu	D26/68
D840,084 S	*	2/2019	Crosby	D26/74
D844,205 S	*	3/2019	Finch	D26/52
D845,527 S	*	4/2019	Hsu	D26/41

* cited by examiner

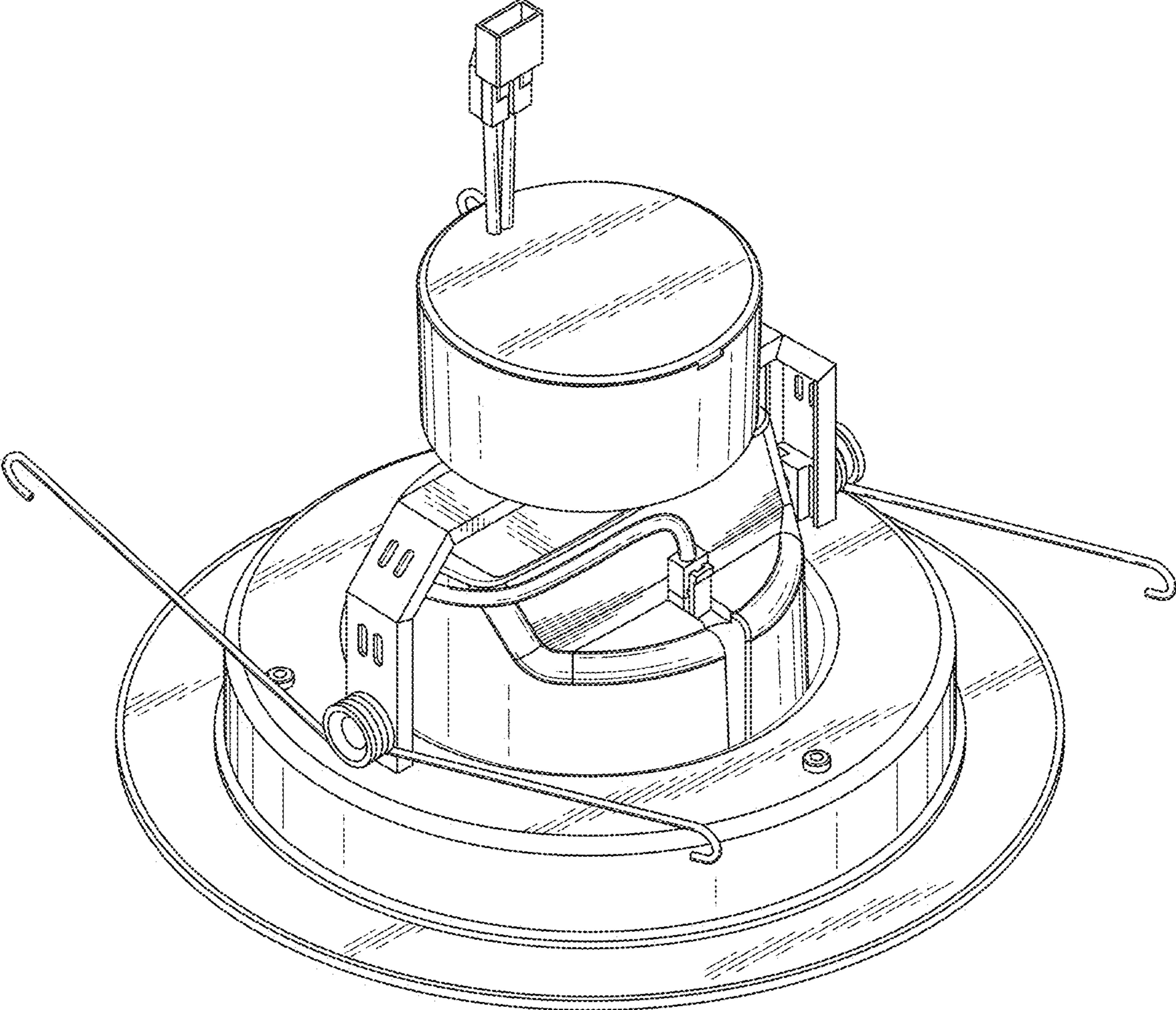


FIG. 1

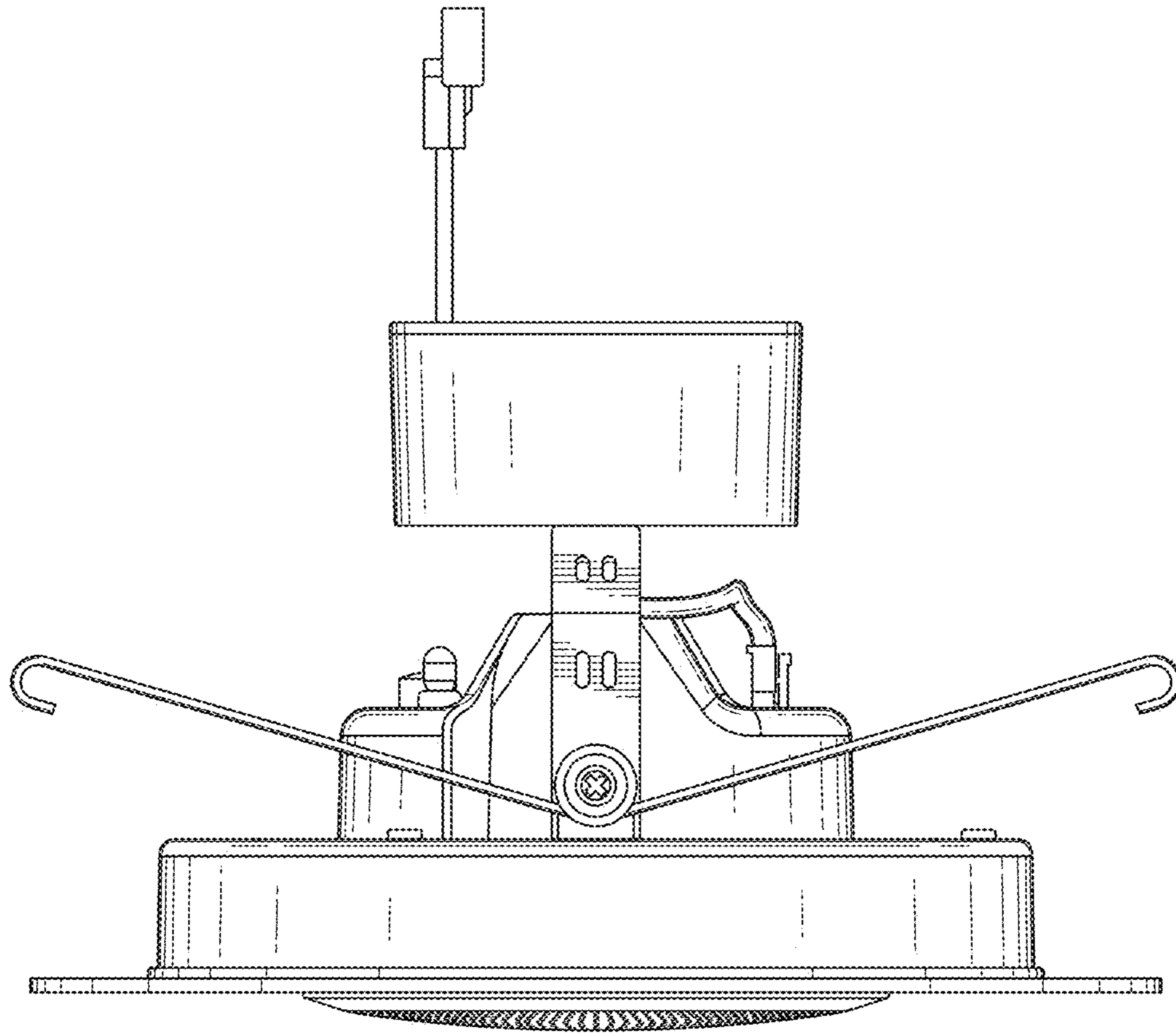


FIG. 2

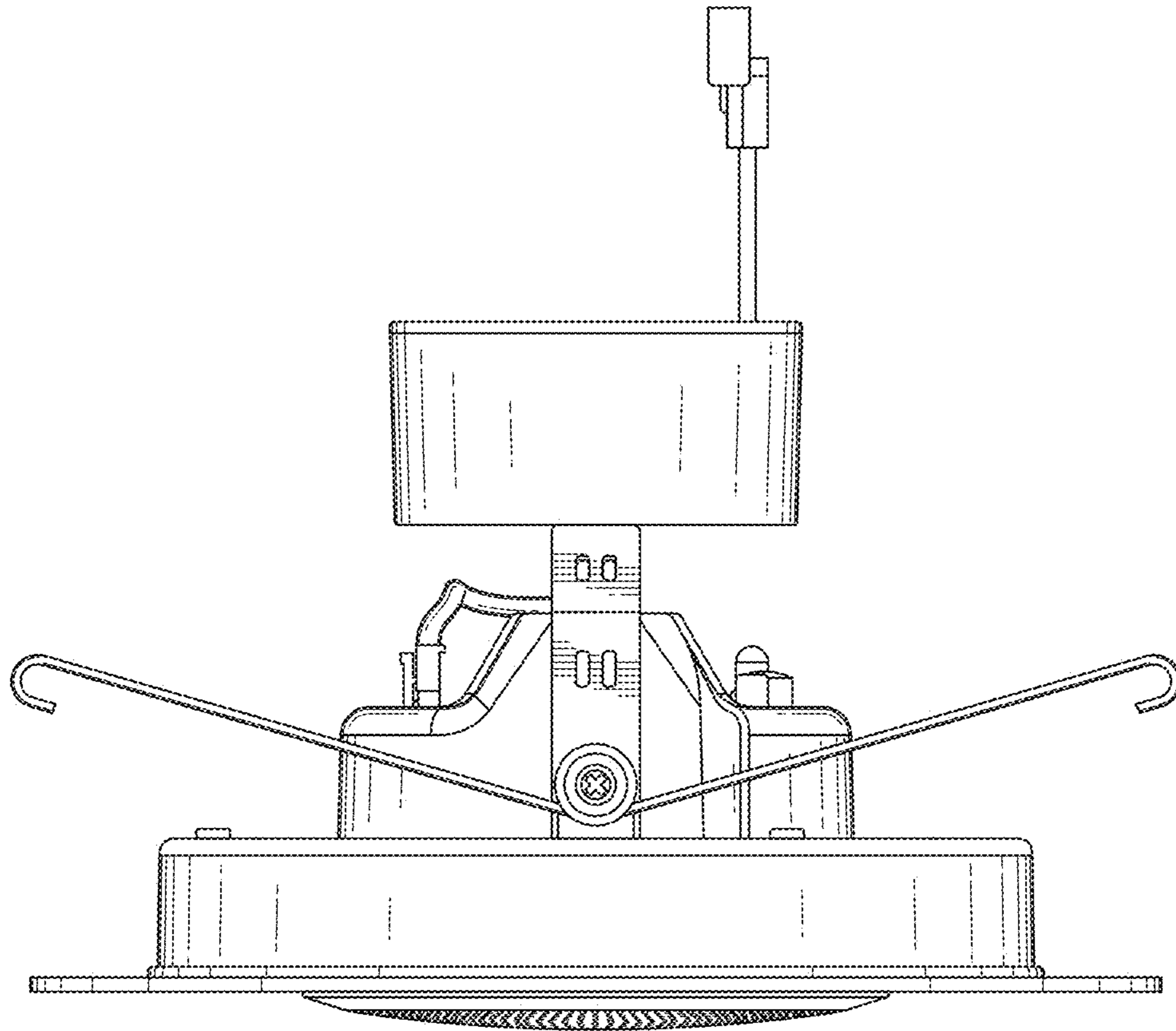


FIG. 3

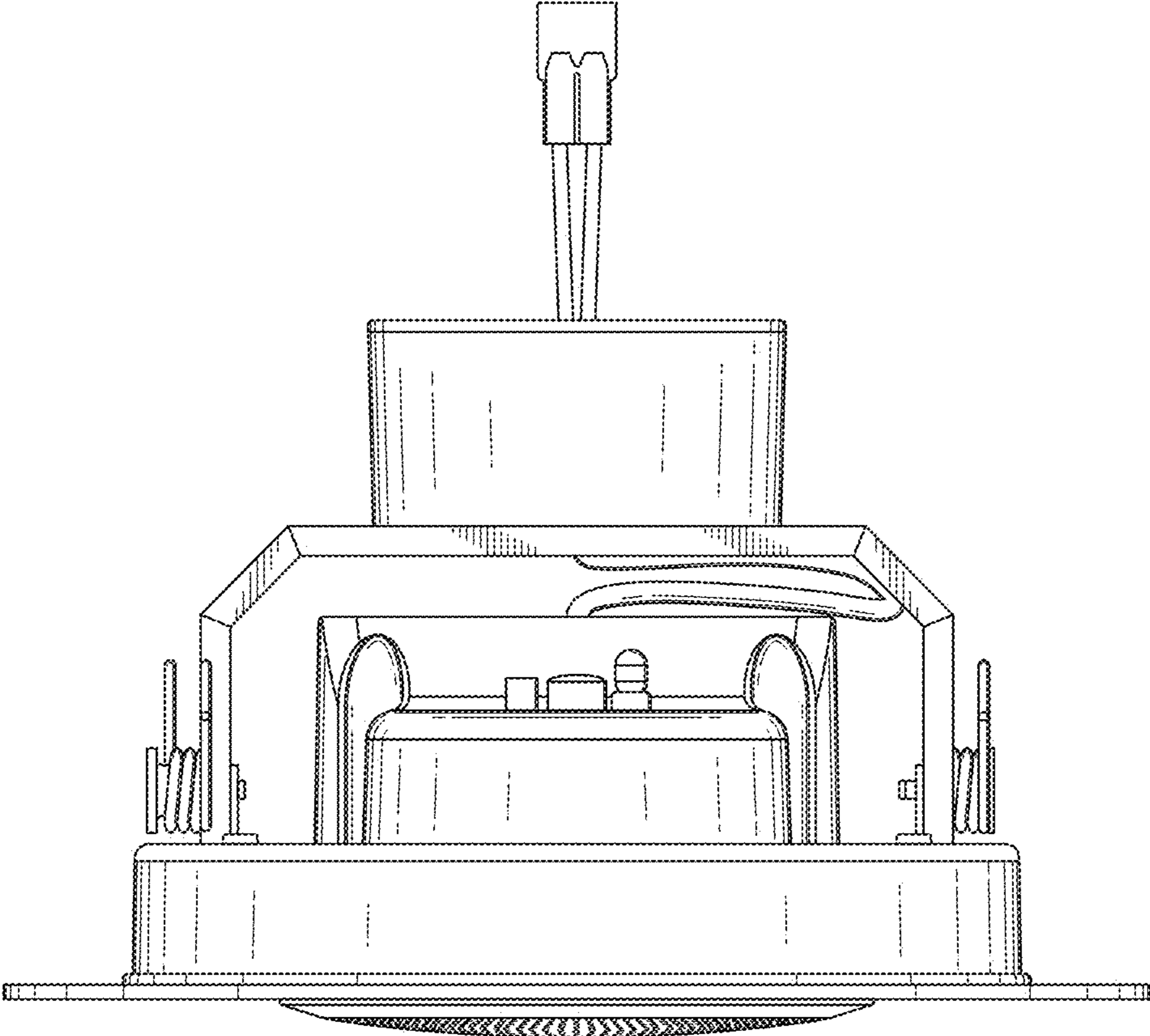


FIG. 4

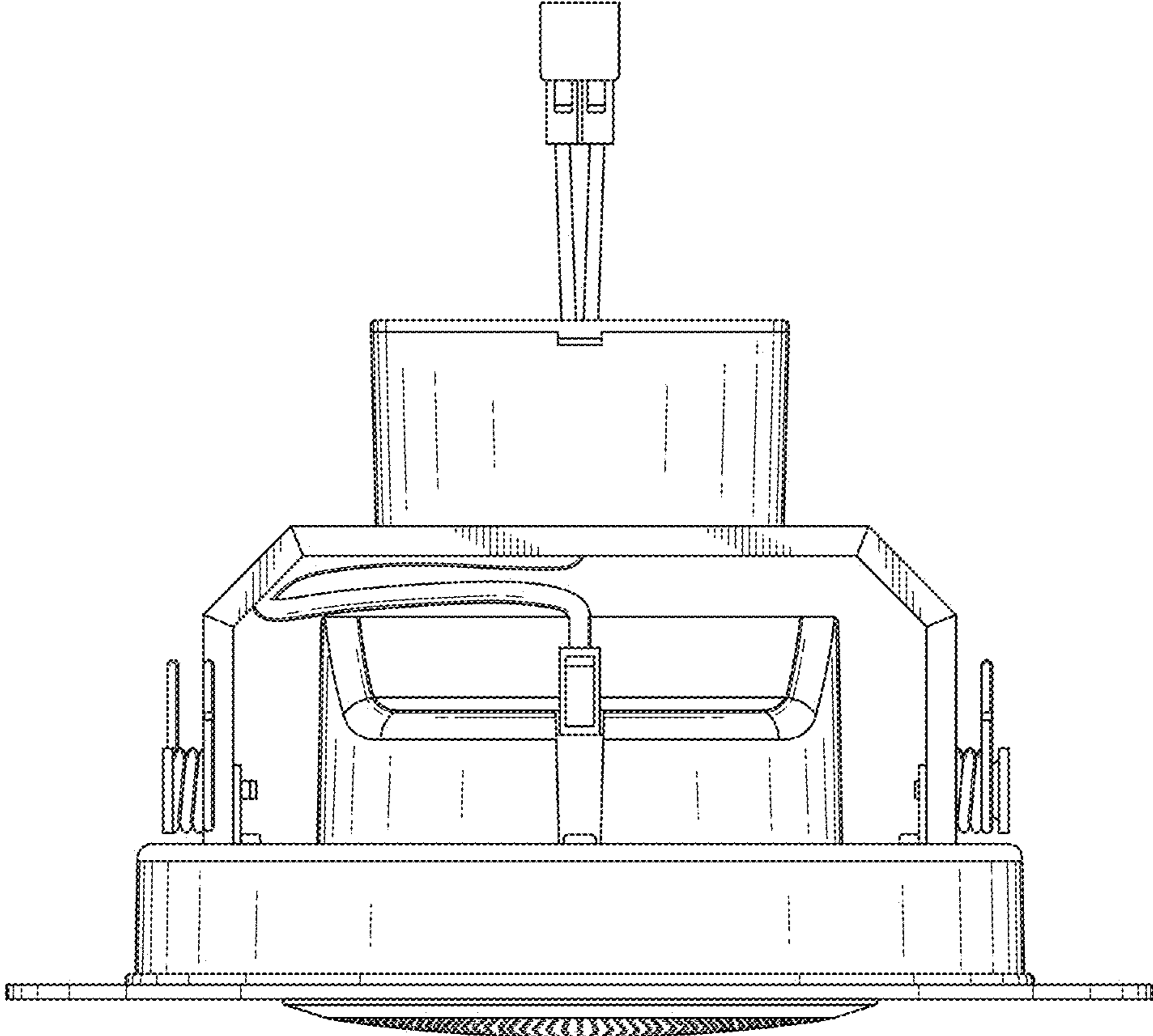


FIG. 5

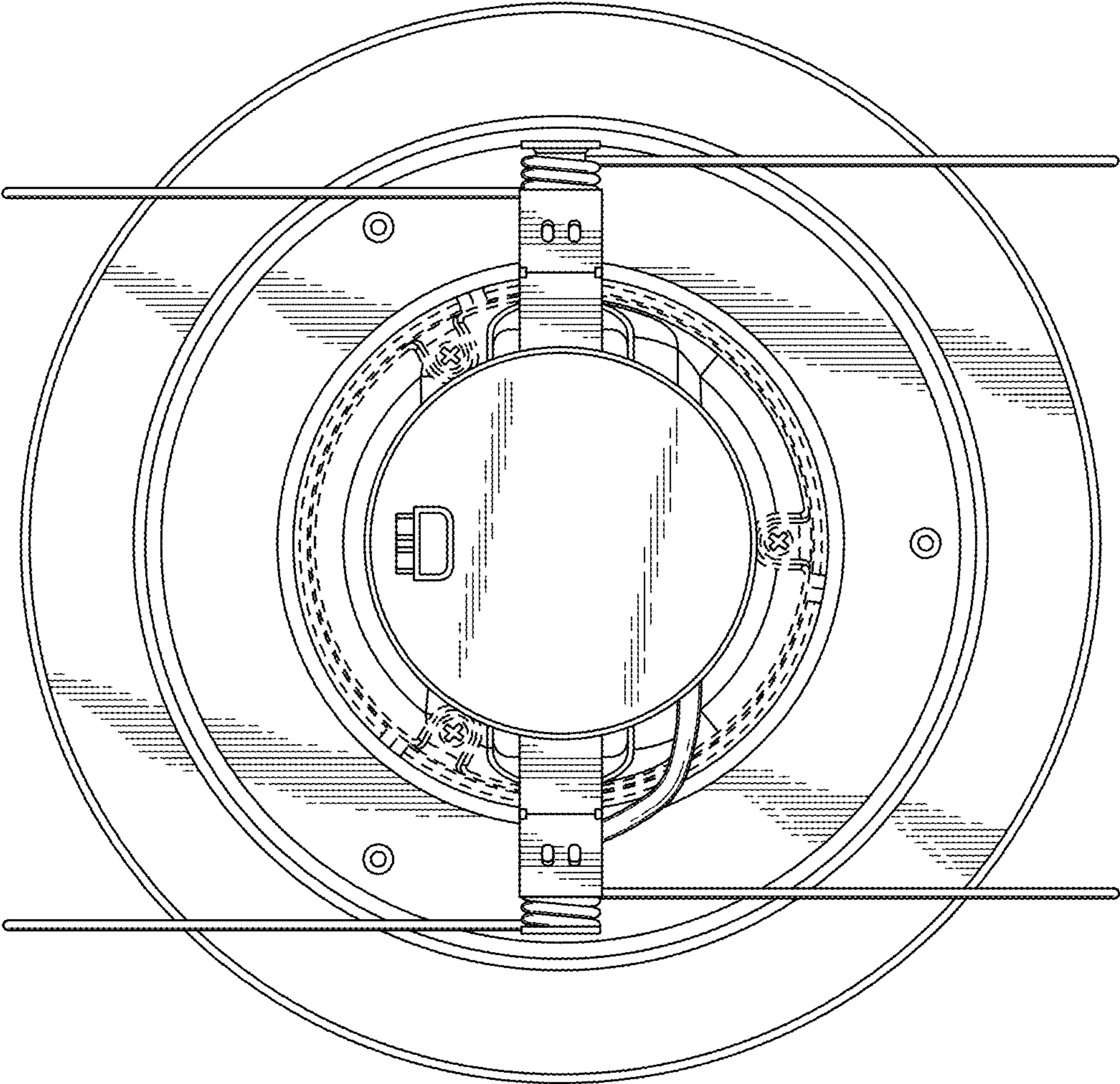


FIG. 6

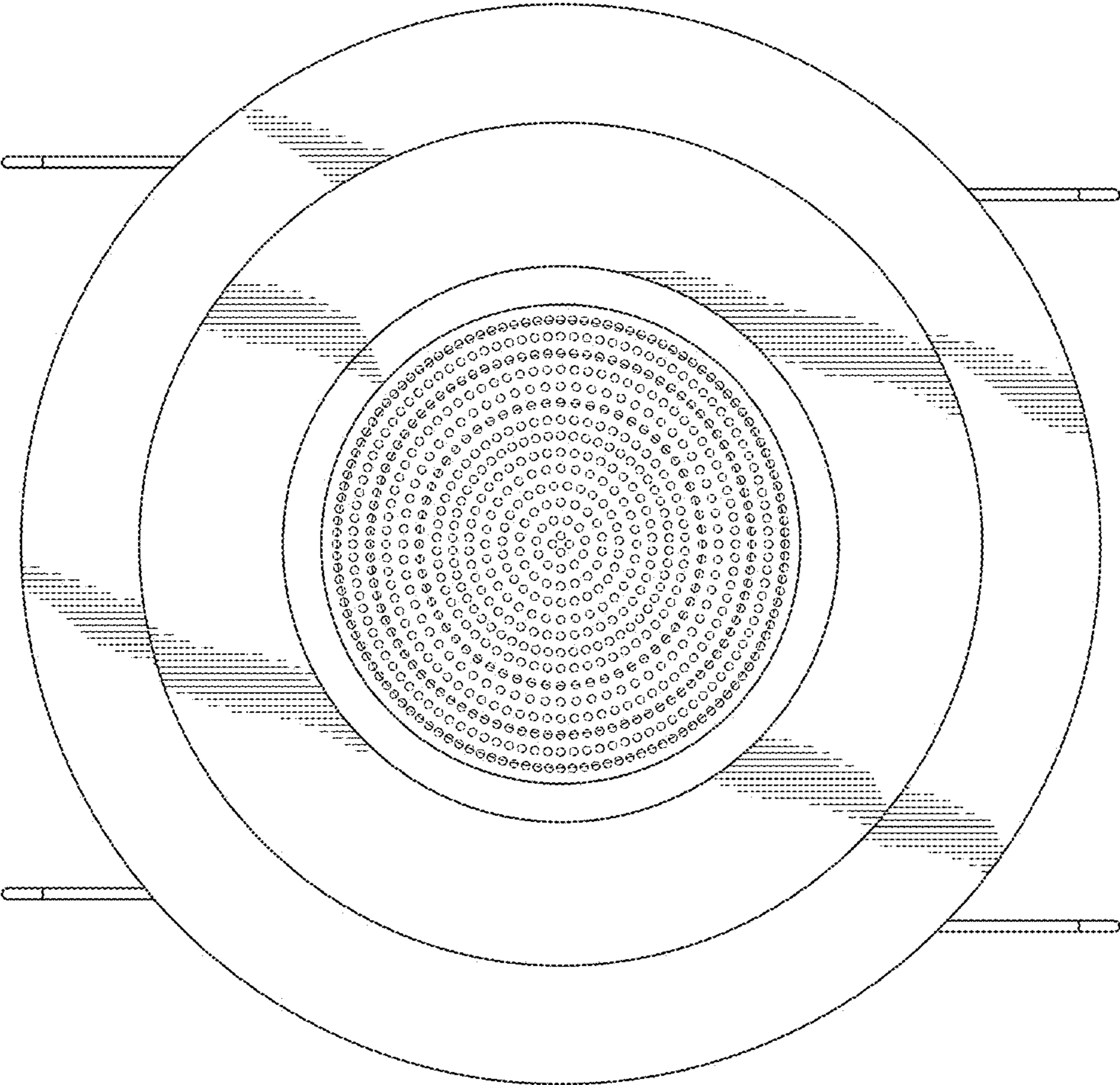


FIG. 7