



US00D892370S

(12) **United States Design Patent** (10) **Patent No.:** **US D892,370 S**  
**Yan** (45) **Date of Patent:** **\*\* Aug. 4, 2020**

(54) **HEADLIGHT**

(71) Applicant: **Riqin Yan**, Guangzhou (CN)

(72) Inventor: **Riqin Yan**, Guangzhou (CN)

(\*\*) Term: **15 Years**

(21) Appl. No.: **29/692,543**

(22) Filed: **May 27, 2019**

(51) **LOC (12) Cl.** ..... **26-06**

(52) **U.S. Cl.**  
USPC ..... **D26/28**

(58) **Field of Classification Search**

USPC ..... D26/28, 29, 30, 31, 32, 33, 34, 35, 36  
CPC ..... F21S 48/00; F21S 48/10; F21S 48/115;  
F21S 48/225; F21S 48/1233; F21S  
48/1266; F21S 48/1388; F21S 48/2268;  
F21V 21/04; F21W 2103/35; F21W 3/40;  
F21W 2102/17; F21W 2102/30; F21W  
2103/00; F21W 2103/55; F21W 2104/00;  
F21W 2107/17; F21W 2107/13

See application file for complete search history.

(56) **References Cited**

**U.S. PATENT DOCUMENTS**

D740,984 S \* 10/2015 Chen ..... D26/28  
D769,486 S \* 10/2016 Ma ..... D26/28  
D769,487 S \* 10/2016 Ma ..... D26/28  
D769,489 S \* 10/2016 Ma ..... D26/28  
D769,490 S \* 10/2016 Ma ..... D26/28  
D789,577 S \* 6/2017 Xu ..... D26/28

D824,052 S \* 7/2018 Conte ..... D26/28  
D841,205 S \* 2/2019 Dai ..... D26/28  
D846,775 S \* 4/2019 Yan ..... D26/28  
D861,936 S \* 10/2019 Li ..... D26/28  
D865,238 S \* 10/2019 Wu ..... D26/28  
D867,632 S \* 11/2019 Wu ..... D26/28  
D869,031 S \* 12/2019 Zhang ..... D26/28

\* cited by examiner

*Primary Examiner* — Angela J Lee

(74) *Attorney, Agent, or Firm* — KA Filing LLC; Wayne V. Harper; Cynthia Flanigan

(57) **CLAIM**

I claim the ornamental design for a headlight, as shown and described.

**DESCRIPTION**

FIG. 1 is a Perspective view of a headlight showing my new design;

FIG. 2 is a Front side view of the headlight as shown in FIG. 1;

FIG. 3 is a Back view of the headlight as shown in FIG. 1;

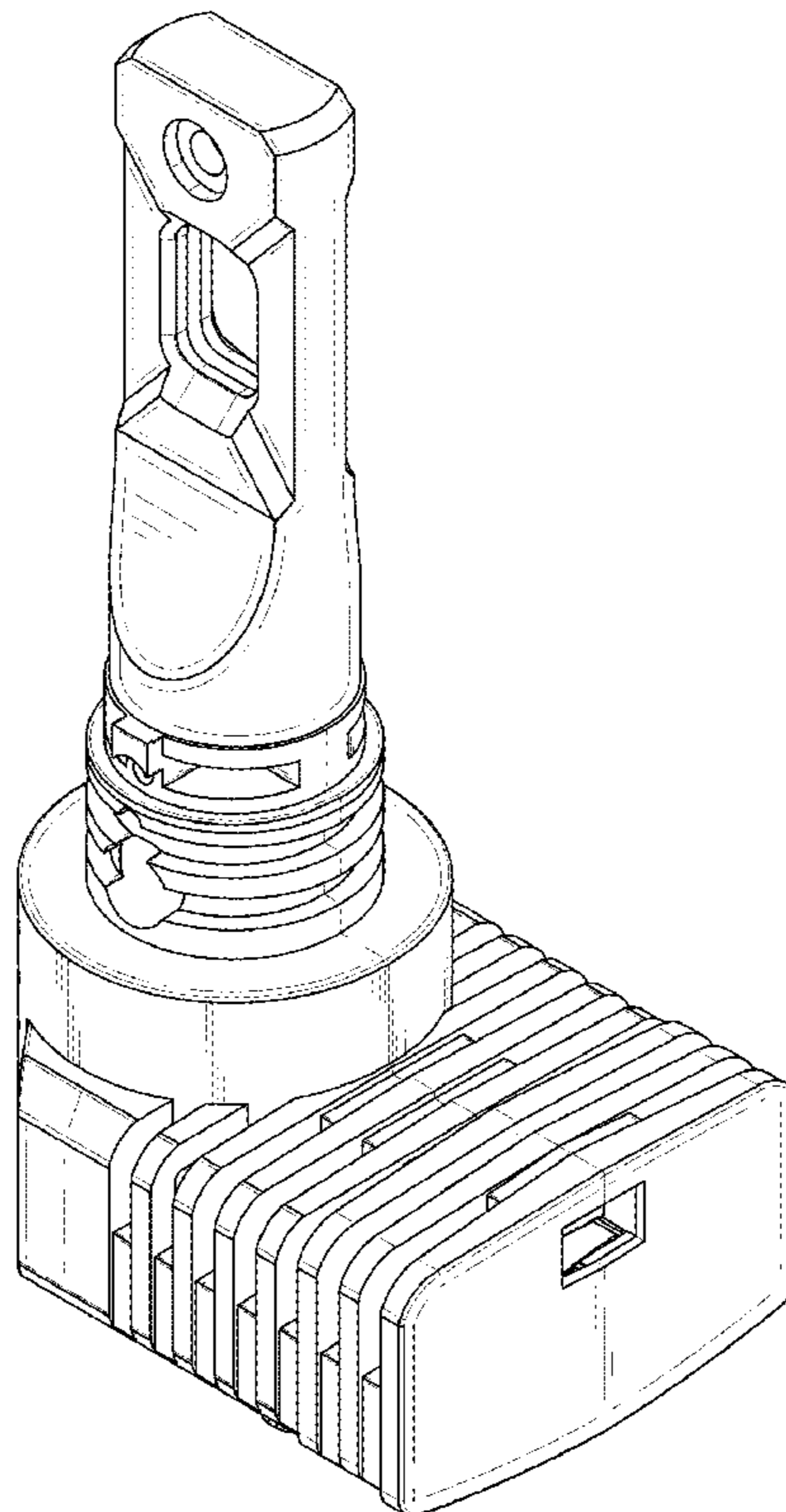
FIG. 4 is a Left-side view of the headlight as shown in FIG. 1;

FIG. 5 is a Right-side view of the headlight as shown in FIG. 1;

FIG. 6 is a Top view of the headlight as shown in FIG. 1; and,

FIG. 7 is a Bottom view of the headlight as shown in FIG. 1.

**1 Claim, 6 Drawing Sheets**



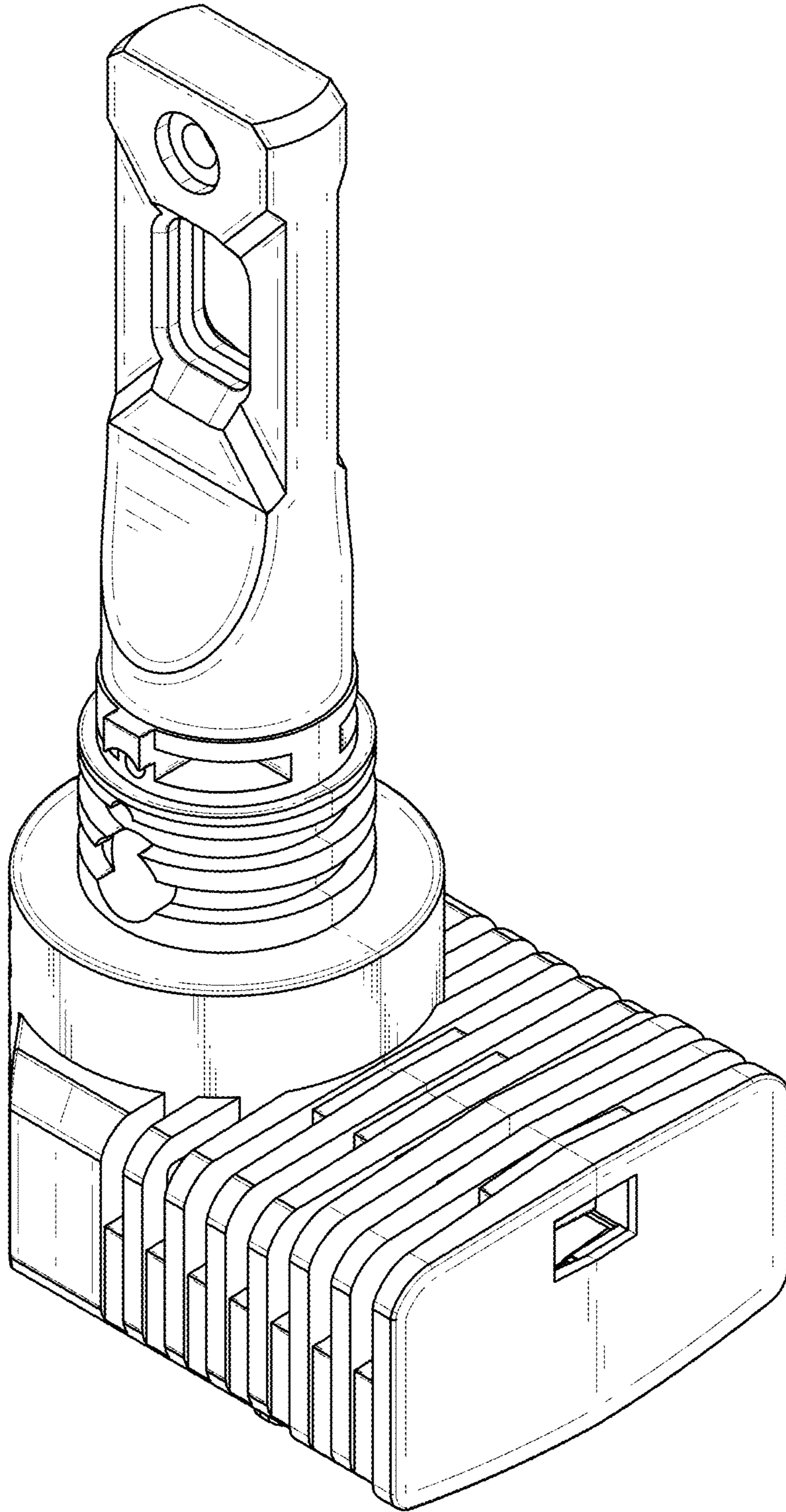


FIG. 1

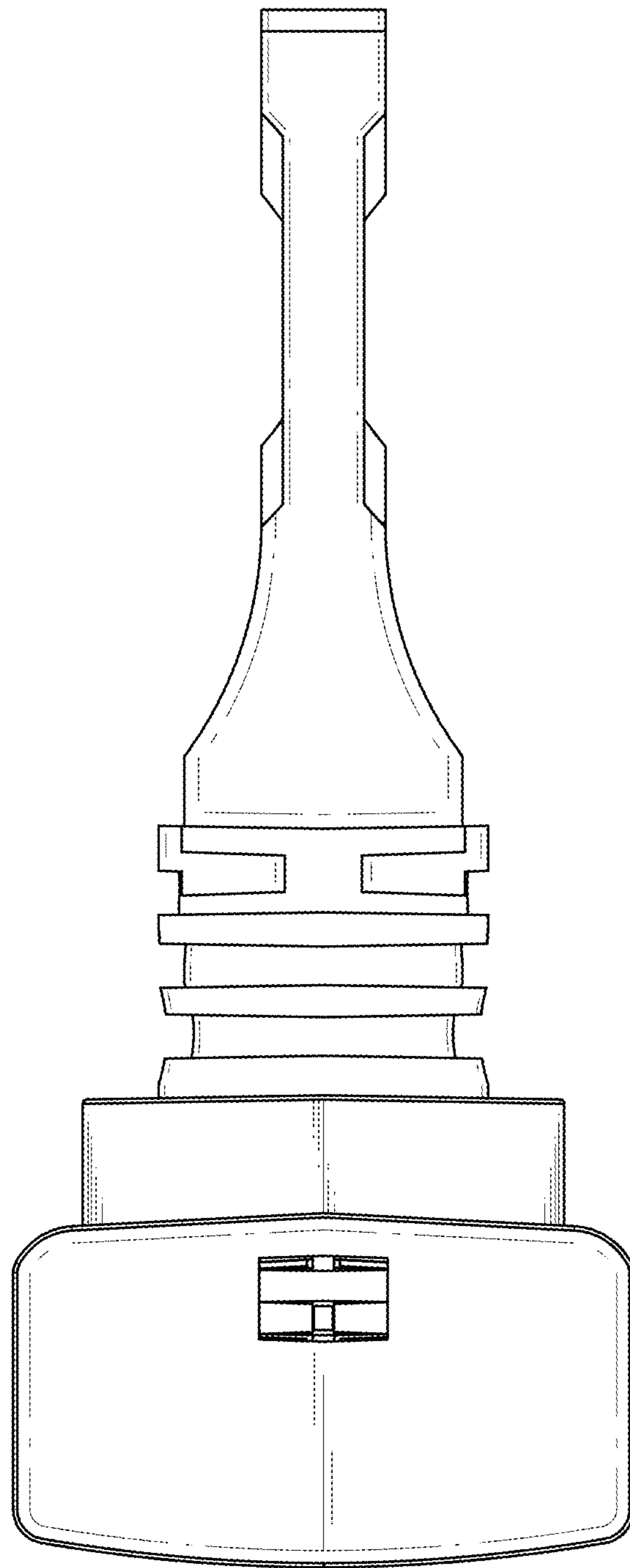


FIG. 2

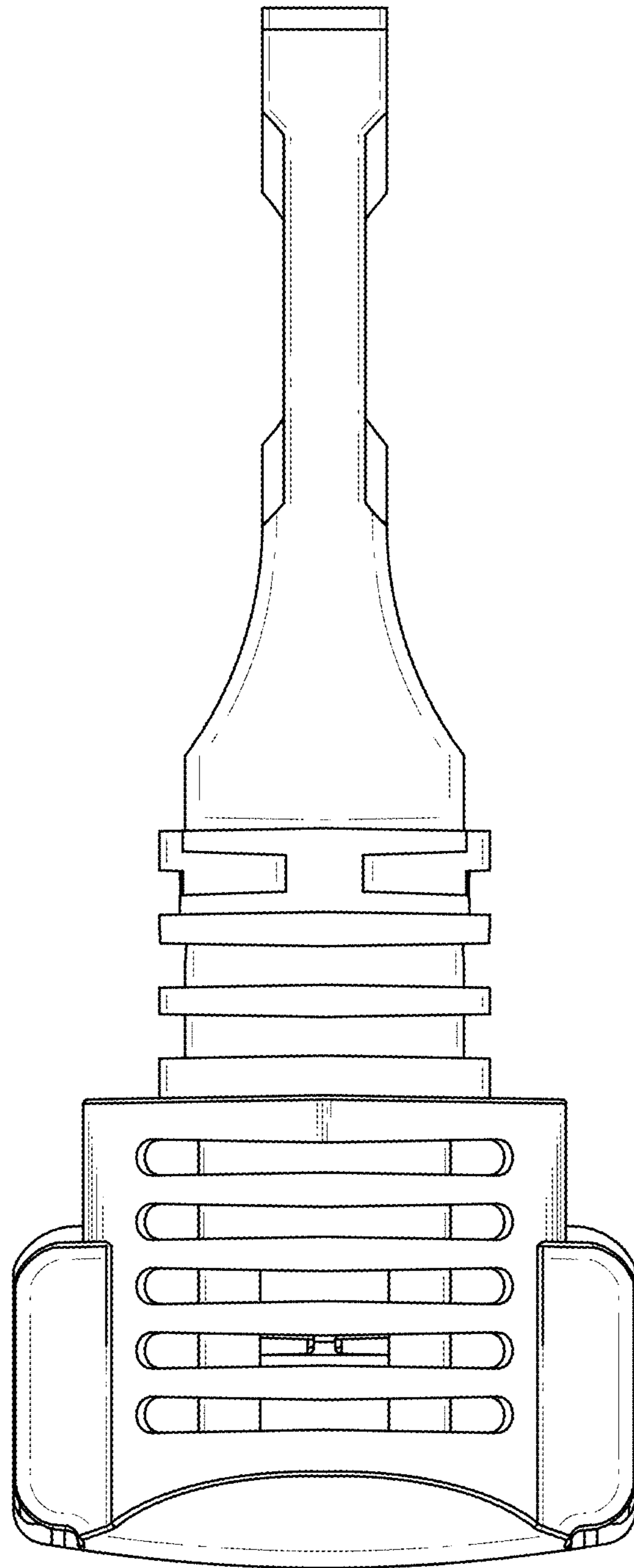


FIG. 3

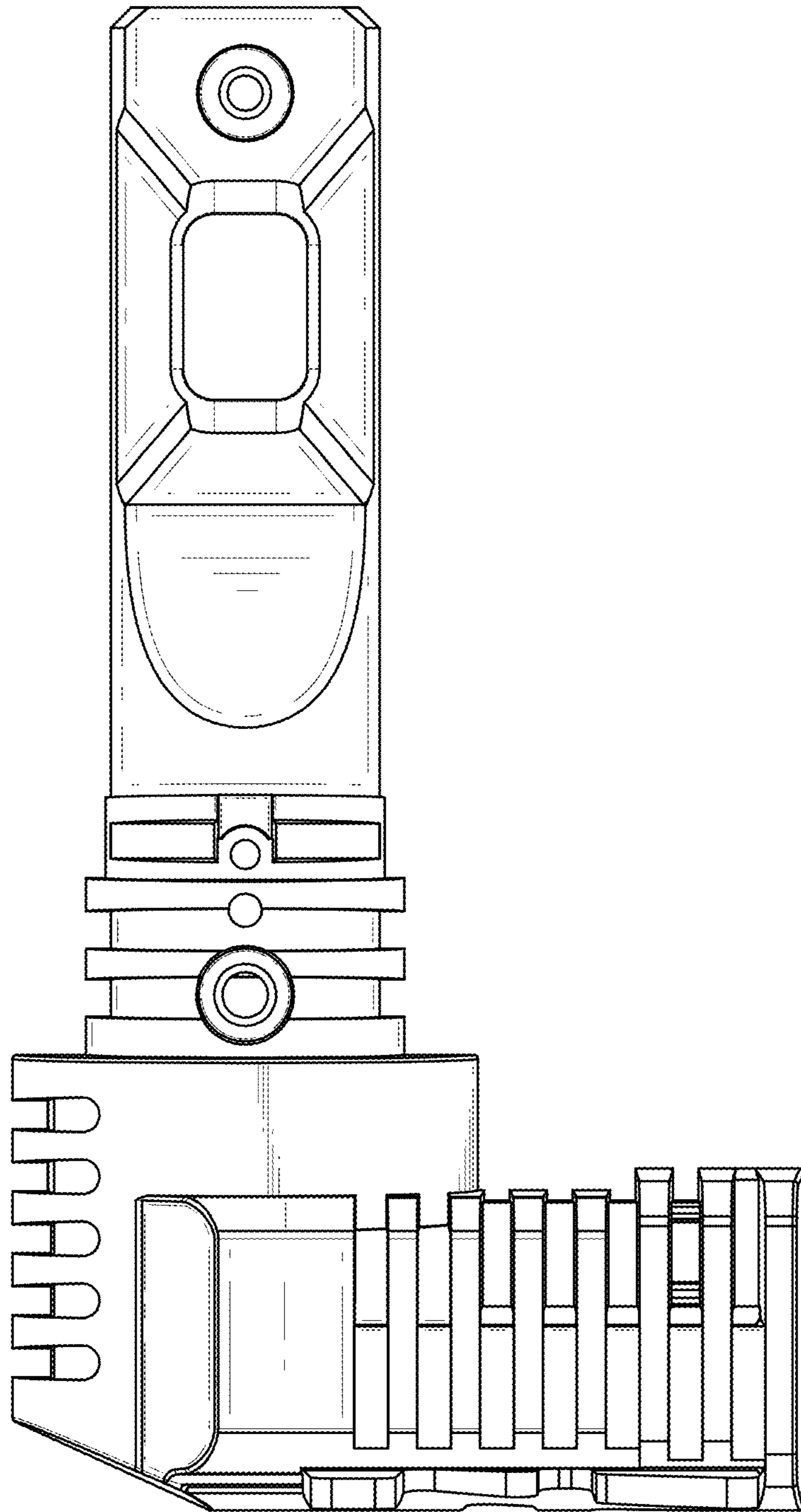


FIG. 4

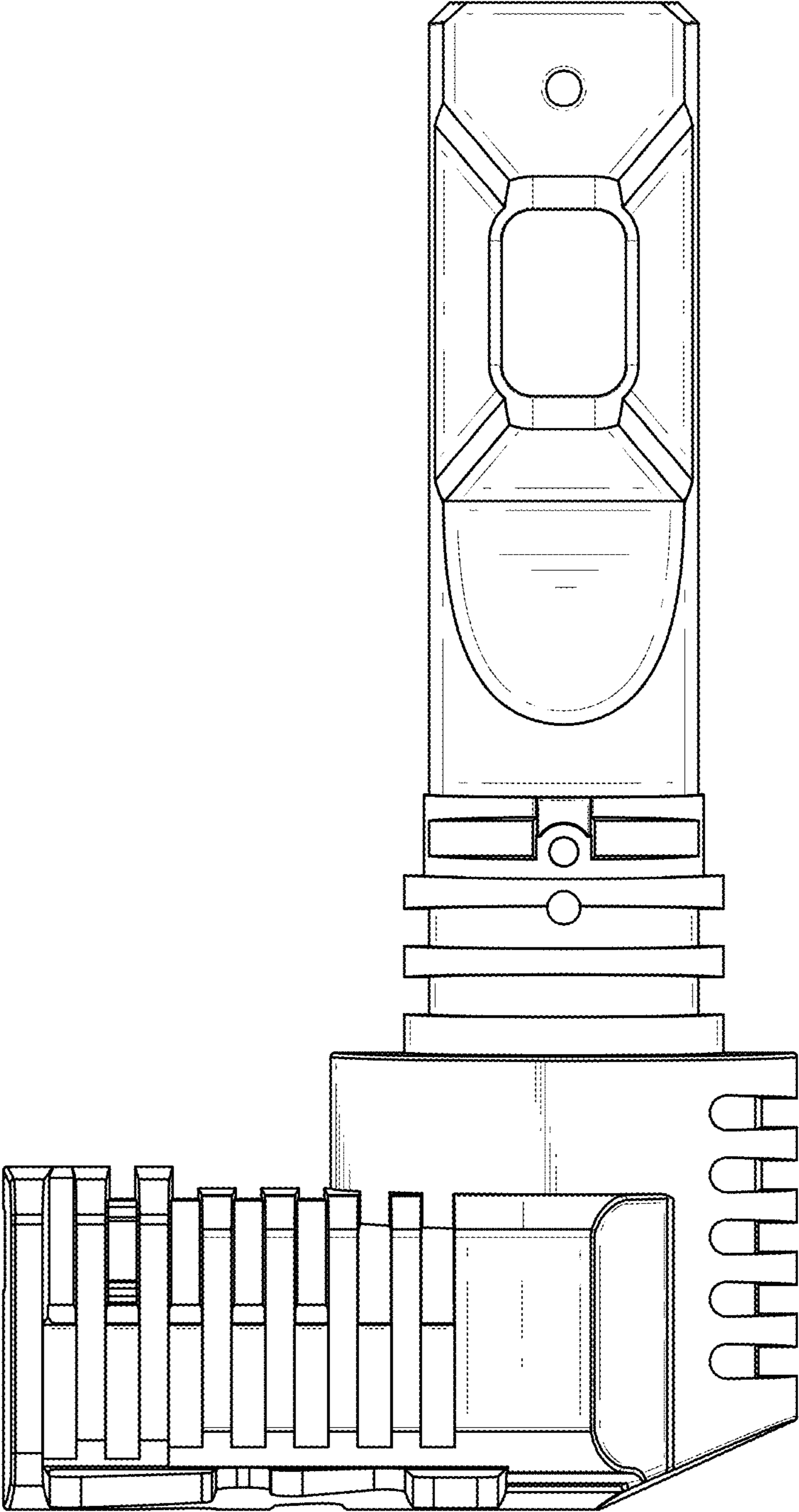


FIG. 5

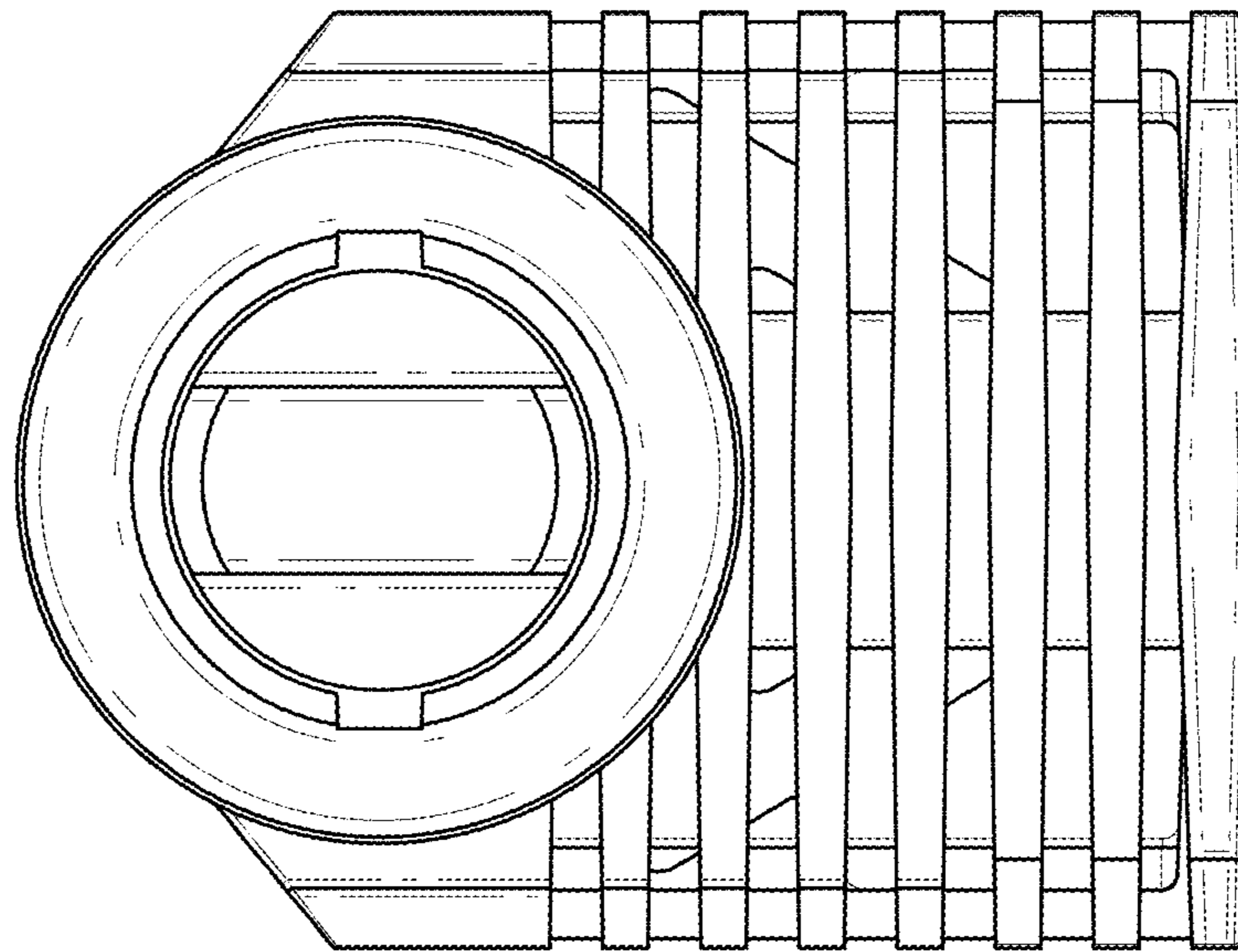


FIG. 6

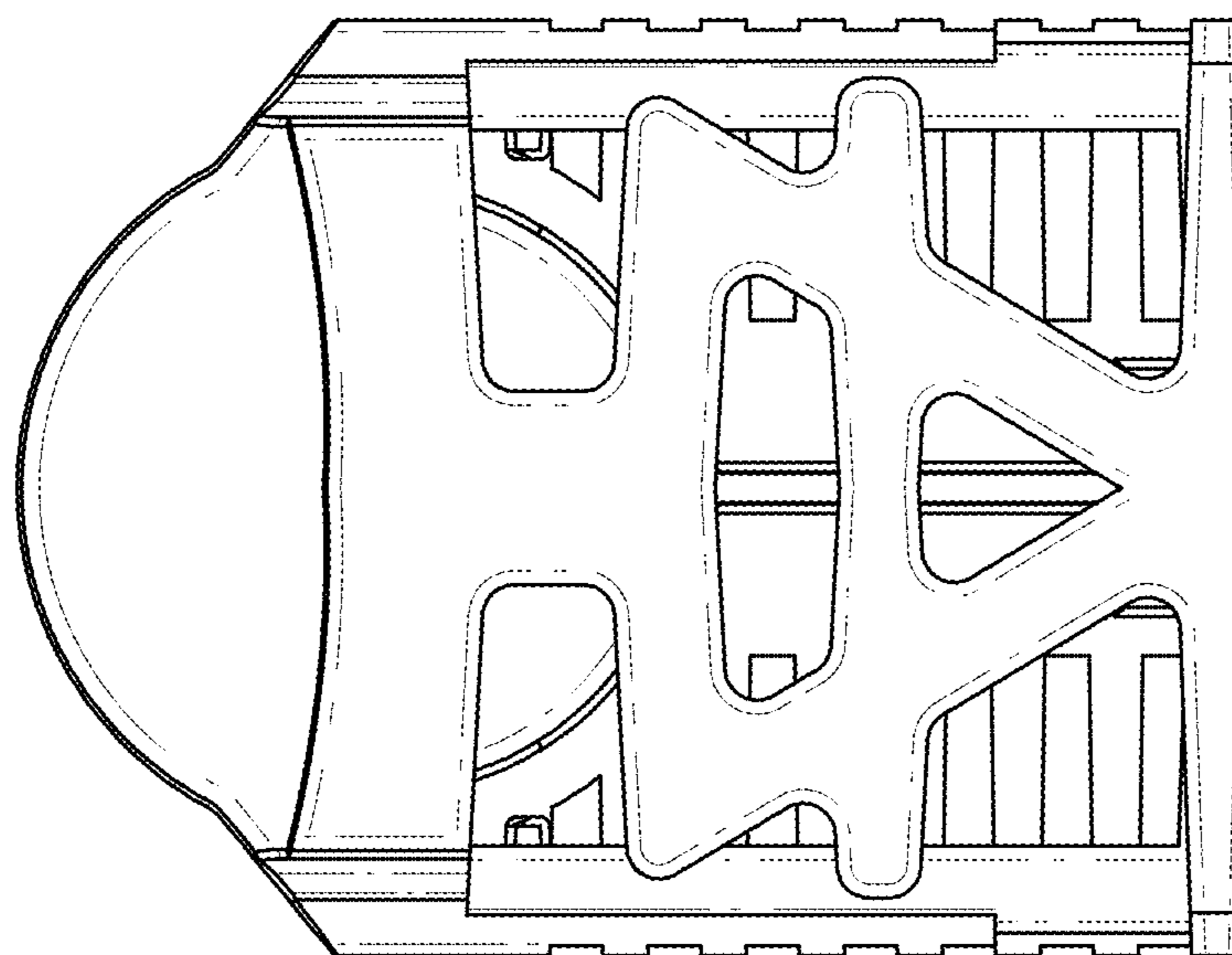


FIG. 7