



US00D892362S

(12) **United States Design Patent**  
**Chen et al.**

(10) **Patent No.:** **US D892,362 S**

(45) **Date of Patent:** **\*\* Aug. 4, 2020**

(54) **STREET LAMP**

(71) Applicant: **XIAMEN ECO LIGHTING CO., LTD.**, Xiamen, Fujian Province (CN)

(72) Inventors: **Huaye Chen**, Xiamen (CN); **Lirong Chen**, Xiamen (CN)

(73) Assignee: **XIAMEN ECO LIGHTING CO., LTD.**, Xiamen, Fujian (CN)

(\*\*) Term: **15 Years**

(21) Appl. No.: **29/679,507**

(22) Filed: **Feb. 7, 2019**

(51) **LOC (12) Cl.** ..... **26-04**

(52) **U.S. Cl.**  
USPC ..... **D26/2**

(58) **Field of Classification Search**  
USPC ..... D26/1-4  
CPC ..... H01R 5/00; H01R 13/46; H01R 13/514;  
H01R 31/048; H01R 31/02; H01J 5/00;  
H01J 5/16; H01J 1/02; H01J 15/00; H01J  
5/48; H01J 5/50; H01J 19/54; F21V 5/00;  
F21K 9/13; F21K 9/135; F21K 9/1375  
See application file for complete search history.

(56) **References Cited**

**U.S. PATENT DOCUMENTS**

D600,367 S \* 9/2009 Bertram ..... D26/2  
D600,368 S \* 9/2009 Bertram ..... D26/2  
D619,739 S \* 7/2010 Hofmann ..... D26/2

D623,778 S \* 9/2010 Moon ..... D26/2  
D630,349 S \* 1/2011 Pei ..... D26/2  
D634,031 S \* 3/2011 de Visser ..... D26/2

\* cited by examiner

*Primary Examiner* — Marcus A Jackson

(74) *Attorney, Agent, or Firm* — Proi Intellectual Property  
US; Klaus Michael Schmid

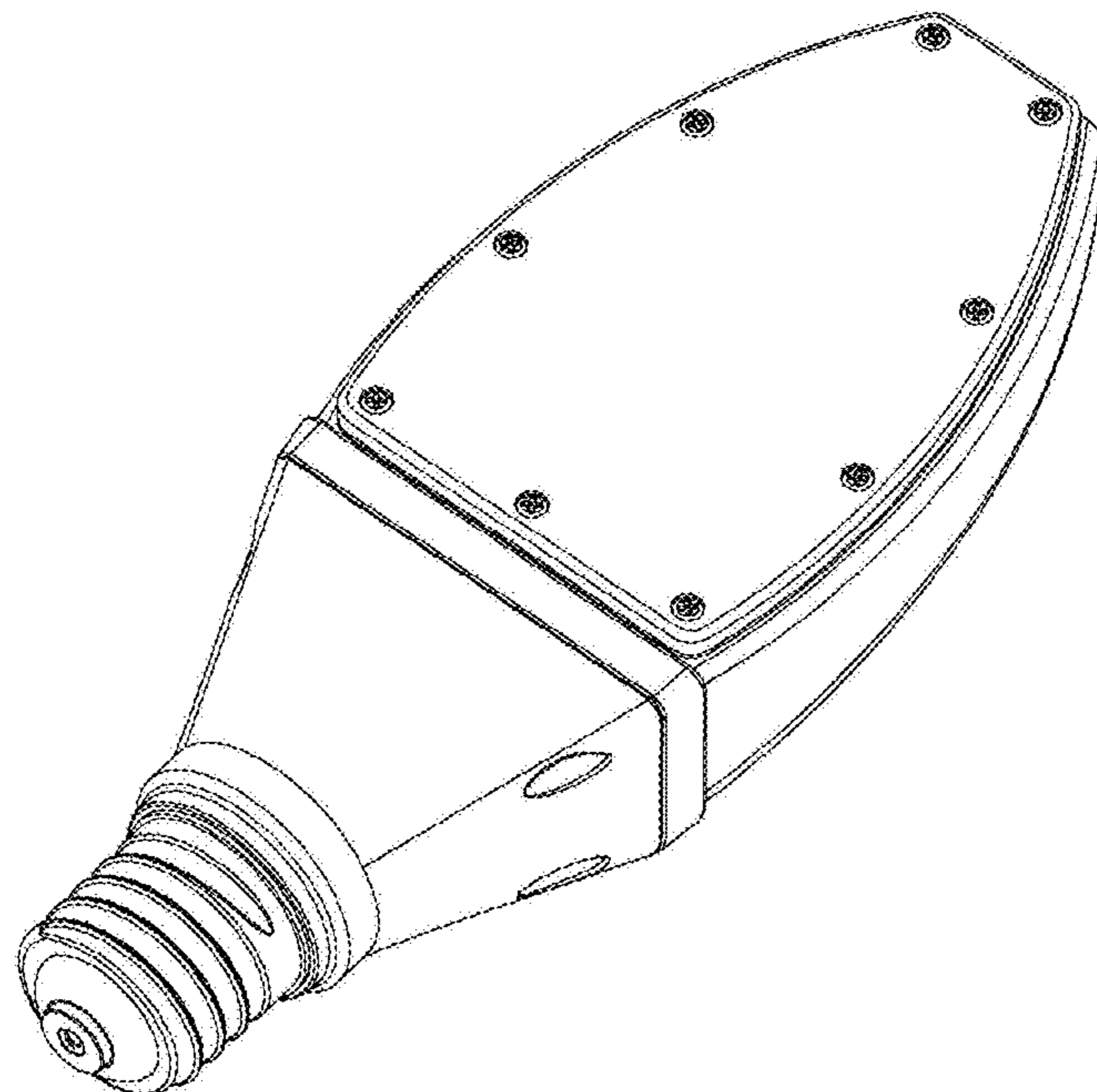
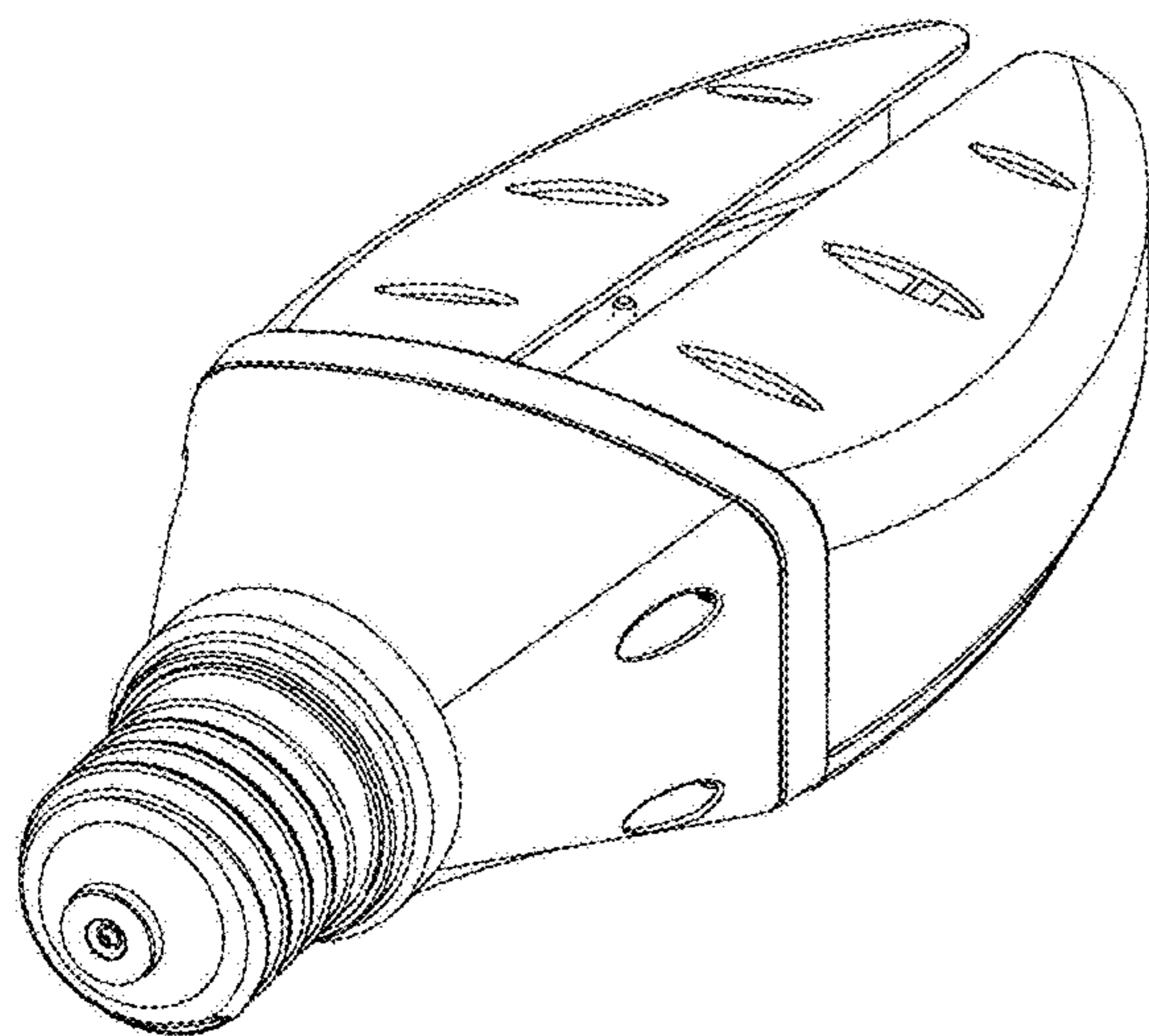
(57) **CLAIM**

“The ornamental design for a street lamp, as shown and described”.

**DESCRIPTION**

FIG. 1 is a perspective front view of a street lamp;  
FIG. 2 is a perspective rear view thereof;  
FIG. 3 is a front view thereof;  
FIG. 4 is a rear view thereof;  
FIG. 5 is a top view thereof;  
FIG. 6 is a bottom view thereof;  
FIG. 7 is a left side view thereof; and,  
FIG. 8 is a right side view thereof.

**1 Claim, 8 Drawing Sheets**



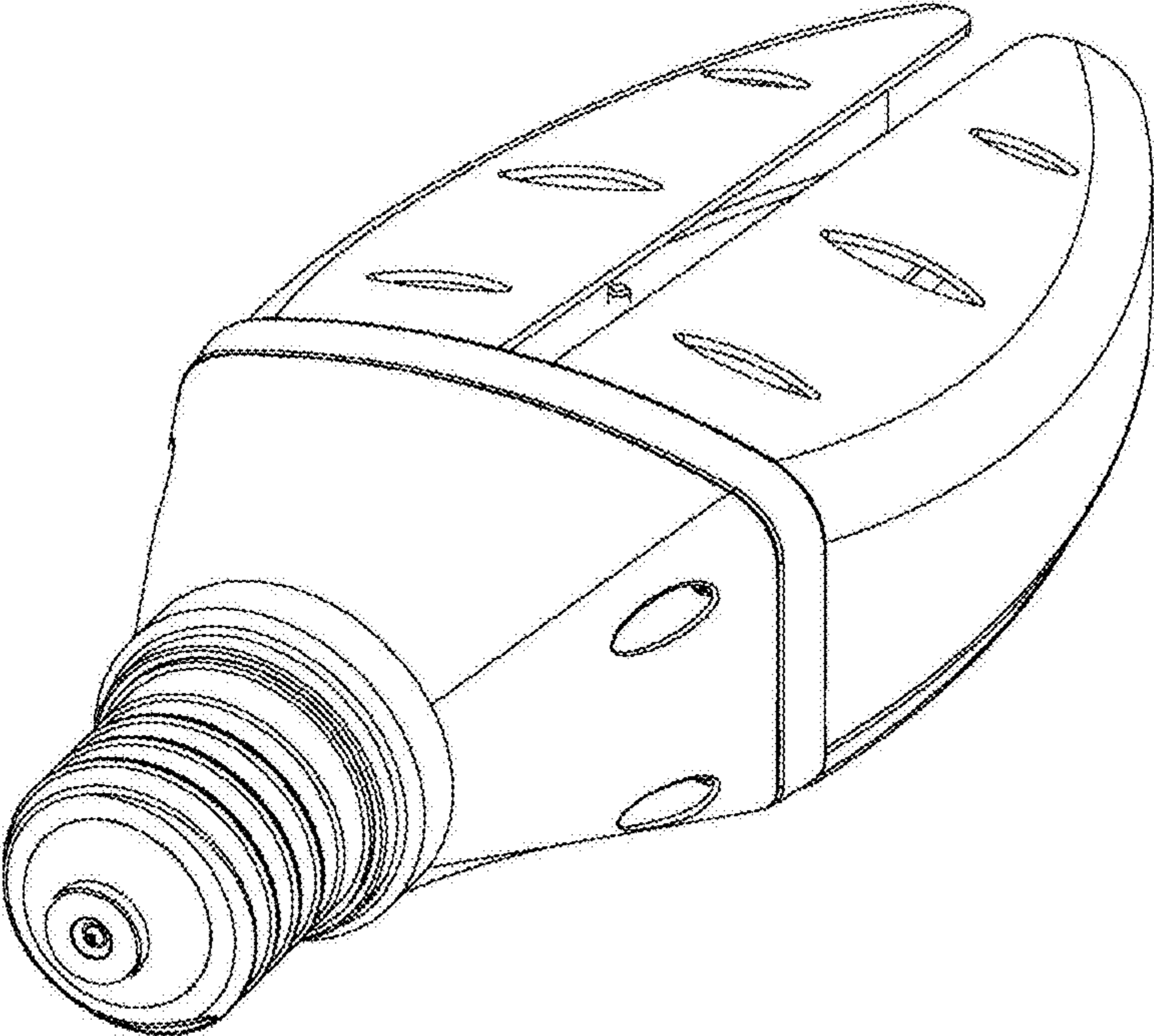


Fig. 1

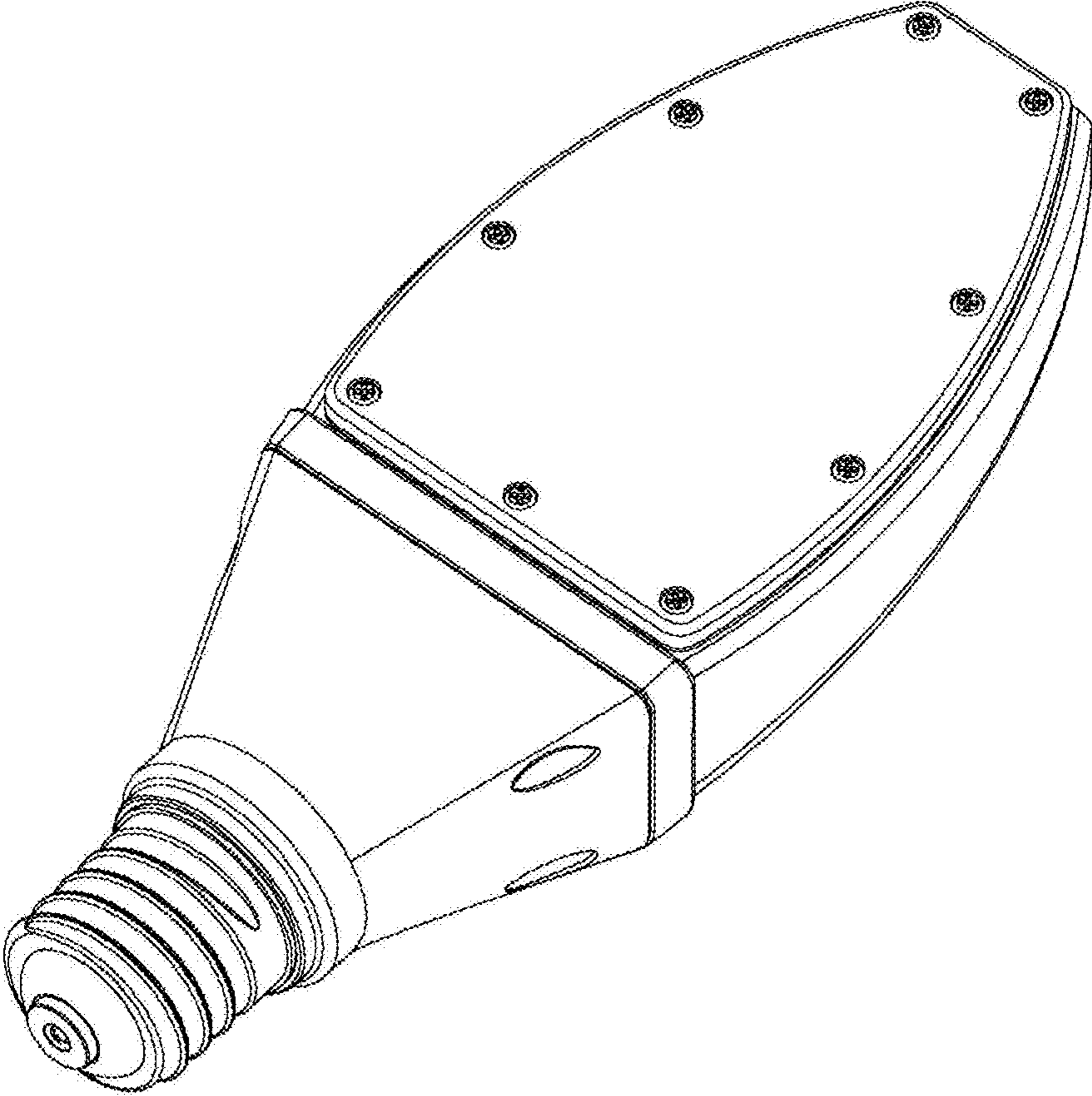


Fig. 2

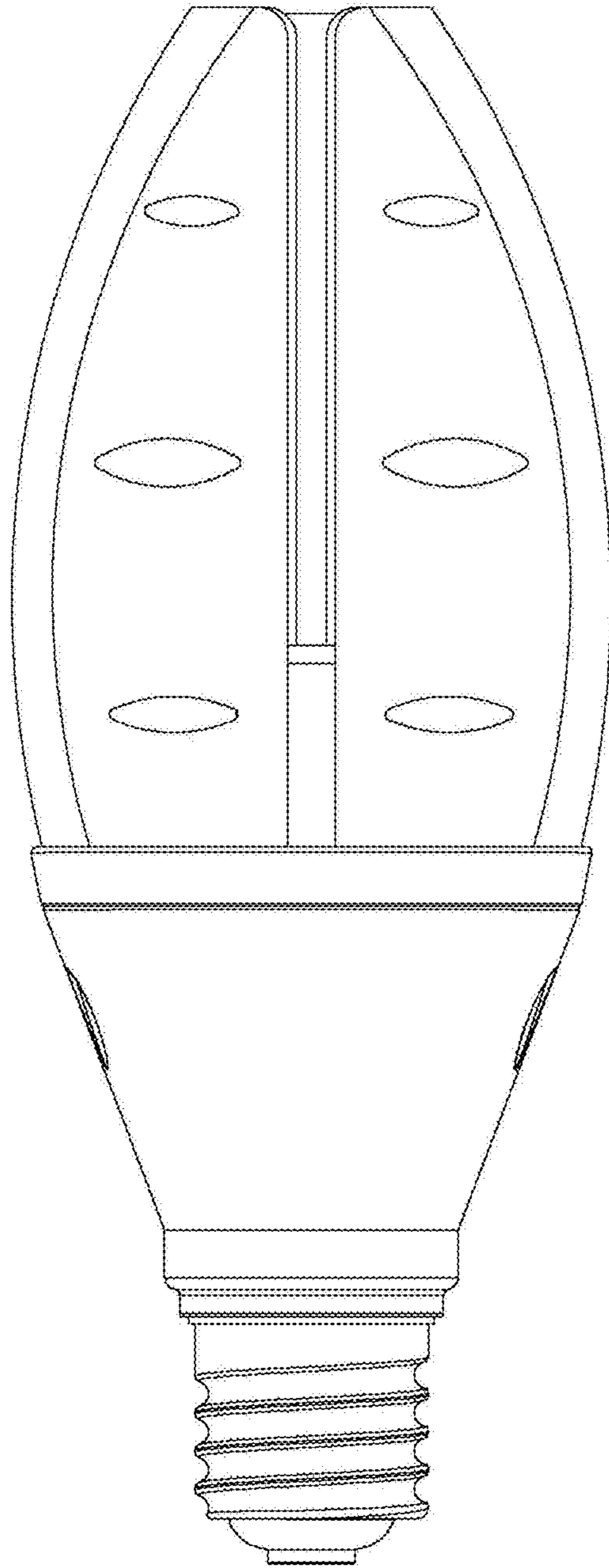


Fig. 3

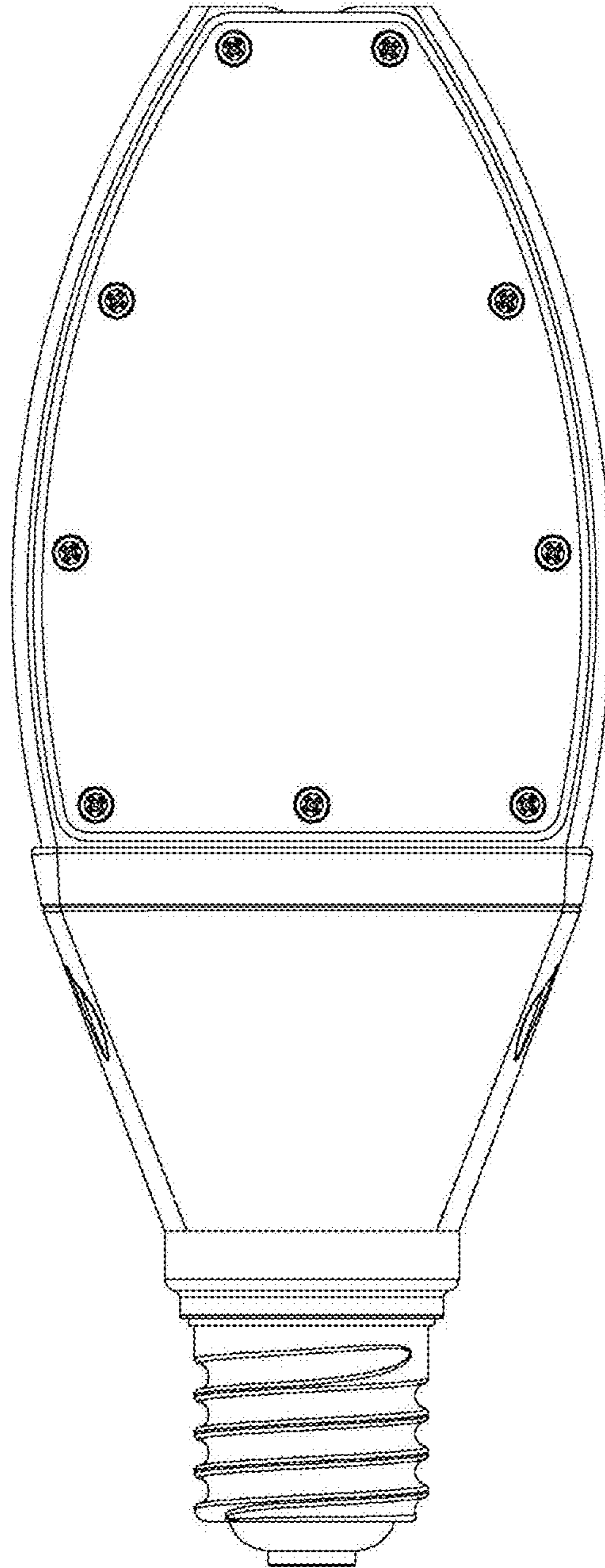


Fig. 4

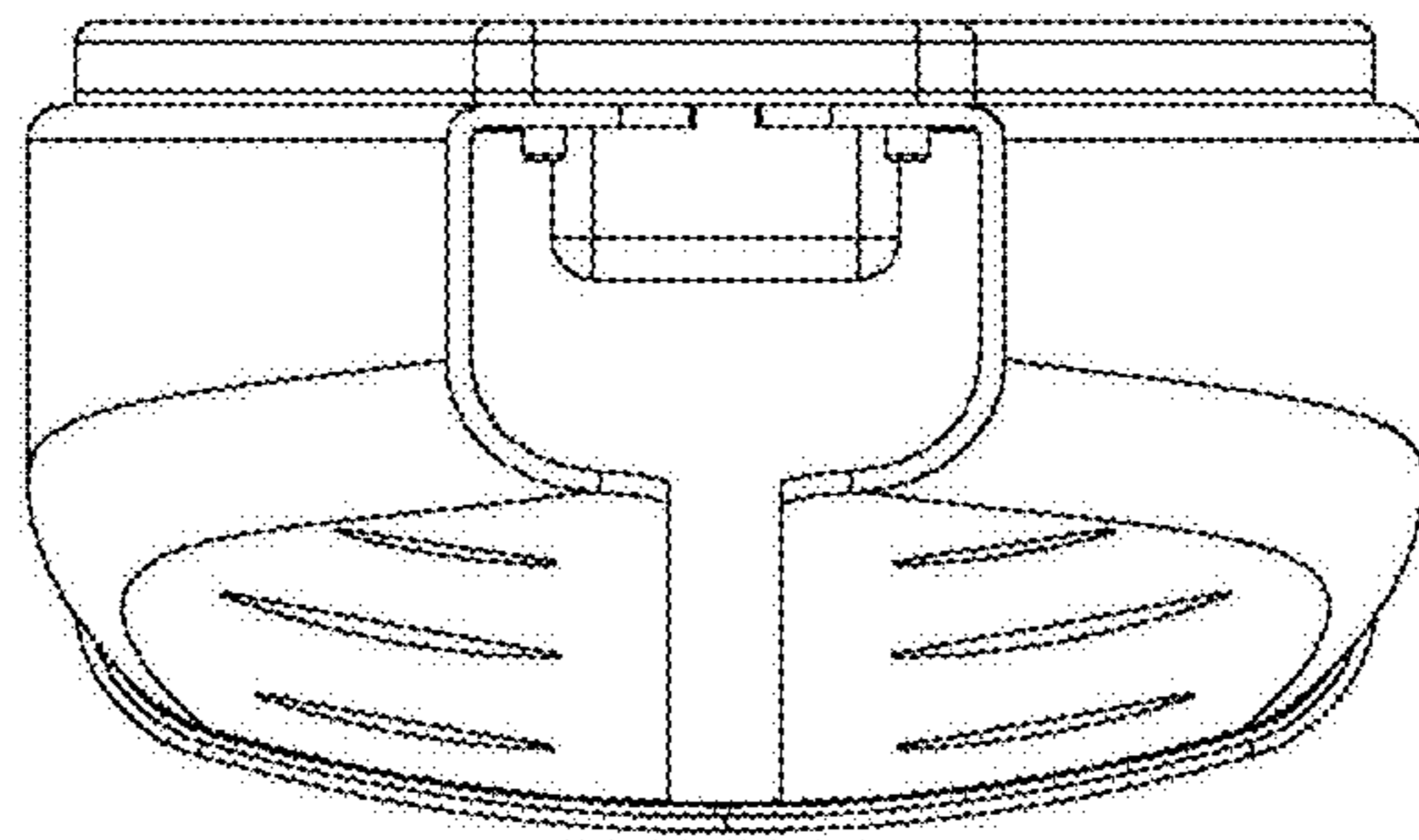


Fig. 5

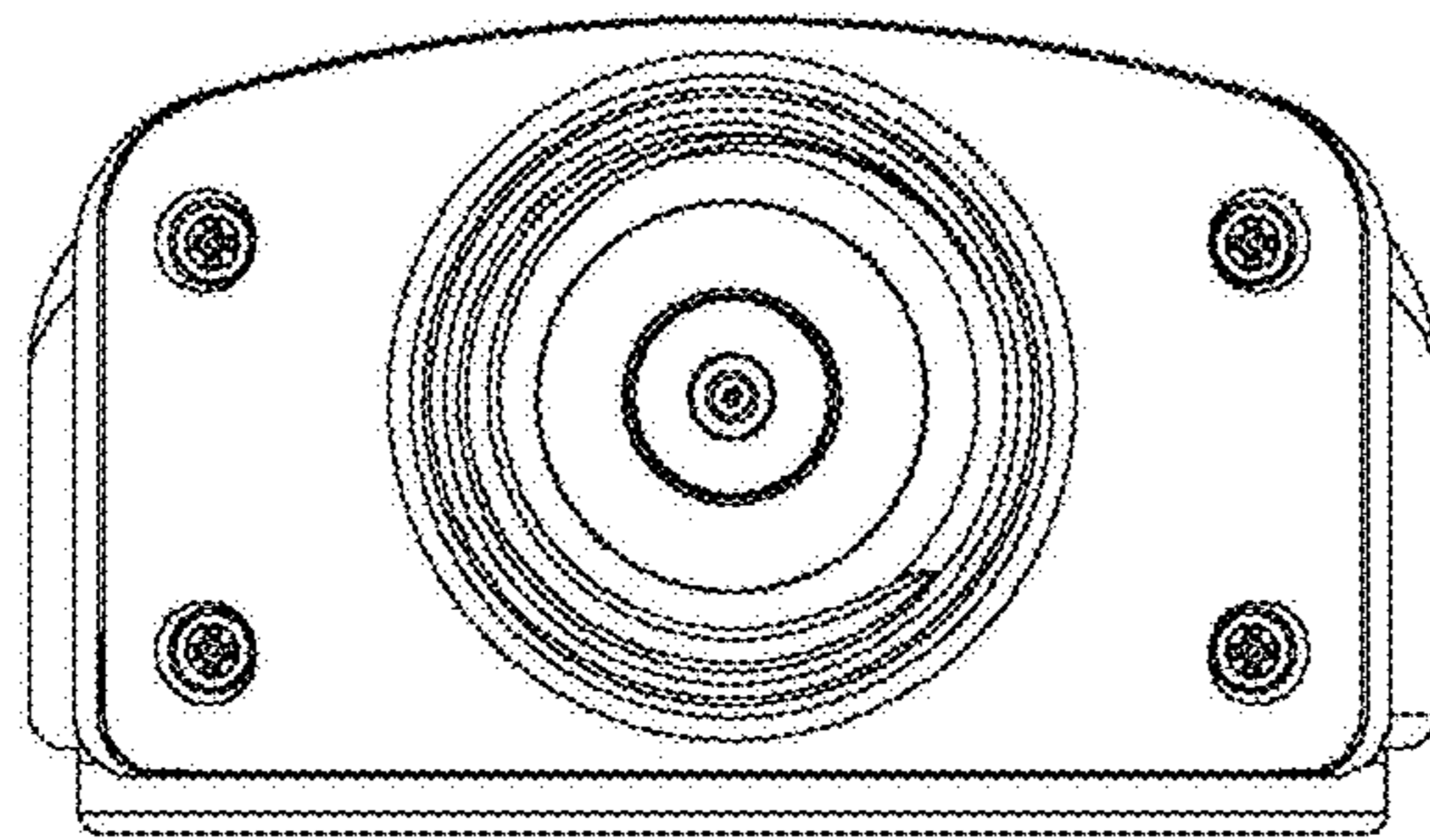


Fig. 6

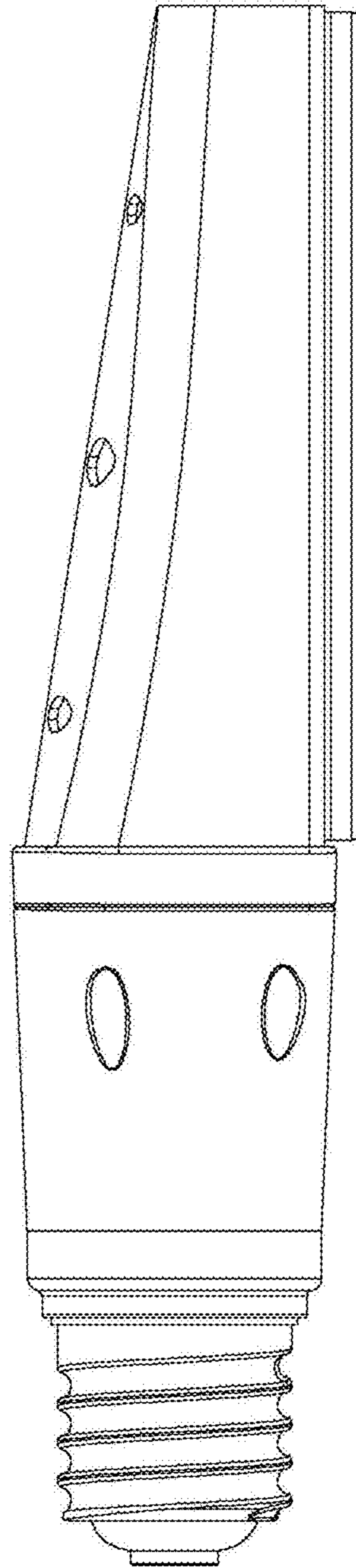


Fig. 7



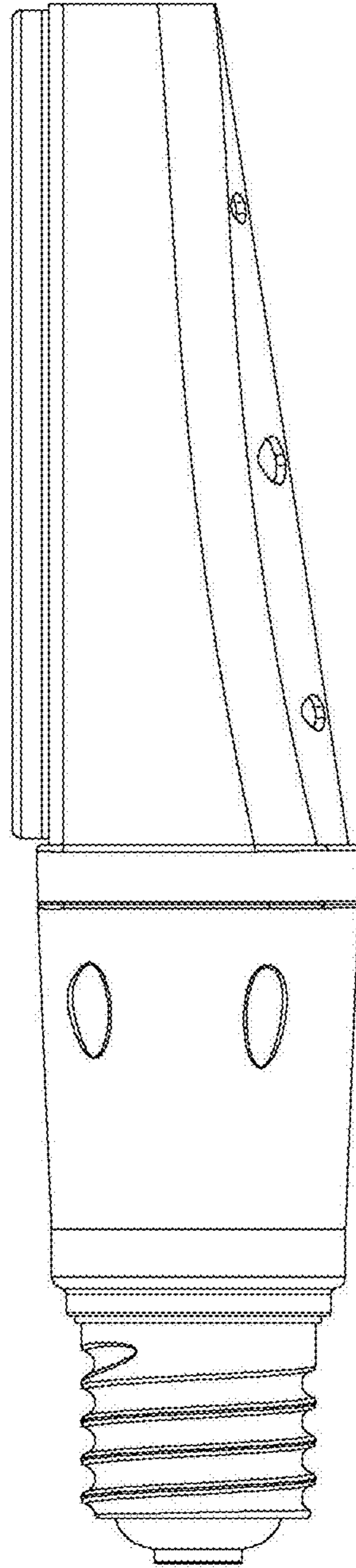


Fig. 8